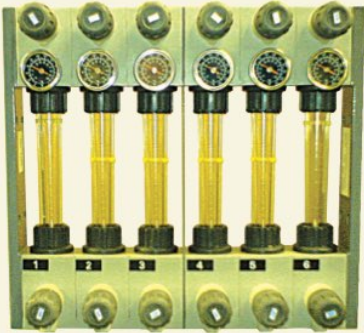
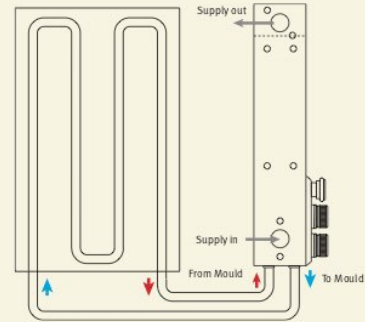


## Small Model Flow Regulator 0 to 13 l/min

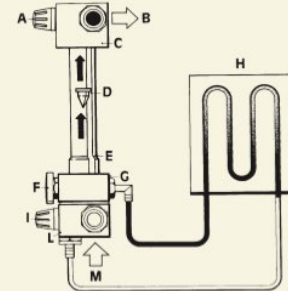
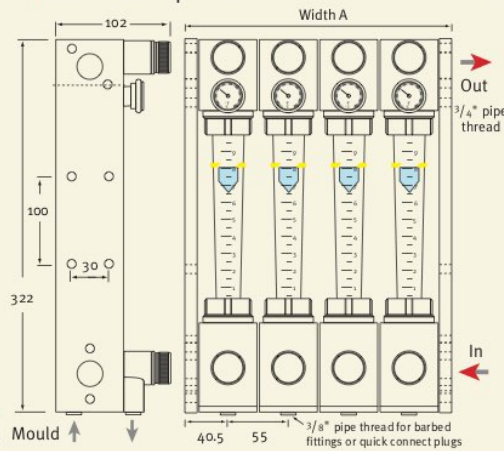


- Used throughout the plastics industry
- Easy to dismantle for cleaning
- Quick service
- Tried and tested
- 1 to 12 zones
- Accurate control
- Repeat settings
- Isolated temperature measurement
- At a glance scale markers
- Lightweight but robust
- Unbeatable prices



Manifolds supplied with female threaded inlets/outlets allow you to fit required connections (barbed tails, male plugs, etc.)

Flow ranges:  
 0 to 6.5 L/min  
 0 to 8L/min  
 0 to 11 L/min  
 0 to 13 L/min

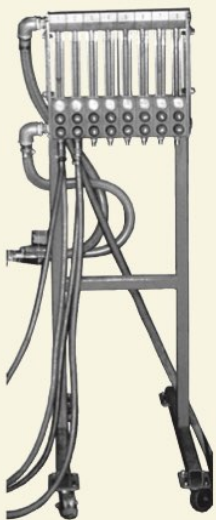


### Waterflow Regulator Small Model

Zones	Lit/min	Width A	Part No.
2	6.5-8 11-13	130	FRS2
4	6.5-8 11-13	245	FRS4
6	6.5-8 11-13	358	FRS6
8	6.5-8 11-13	468	FRS8
10	6.5-8 11-13	580	FRS10
12	6.5-8 11-13	690	FRS12

1, 3, 5, 7, 9 + 11 Zones Available

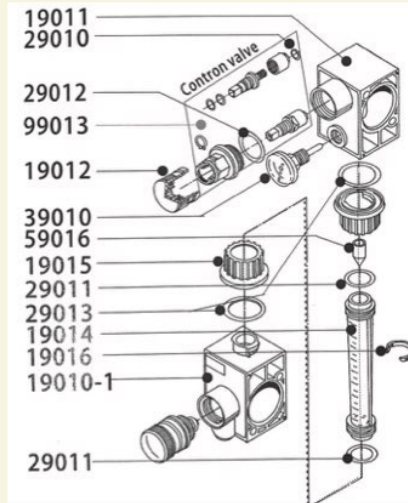
### Floor Stand



Stands Available to suit your size regulator: FRST

#### Floor Stand

Zones	Part No.
2 to 12 zones	FRST



### Parts for Small Model regulator

Part no.	Description	Part no.	Description	Part no.	Description
19010-1	Lower Body	29010	O-Ring	59065	Float cone
19011	Upper Body	29011	O-Ring	59080	Float cone
19012	Hand wheel	29012	O-Ring	59110	Float cone
99013	Control valve	29013	O-Ring	59130	Float cone
19014	Flow tube	29014	O-Ring	59061	Brush
19015	Flow tube nut	29015	O-Ring	59024-2	To Screw
19016	Flow indicator	39010	Thermometer	59024-12	Screw
12006	Plug	59010	R. L. side plate	59050	Mid Plate

- End plate 59010
- O-ring between Endplate and zone 29014
- O-ring between zones 29015
- End blanking plug 29012