

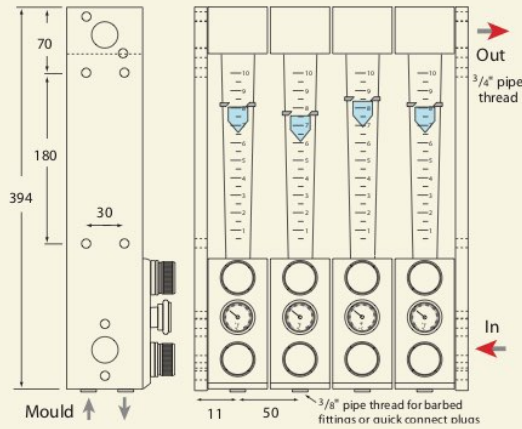
Large Water Regulator 0 to 20 and 0 to 30 l/min

Large Model Flow Regulator

Flow ranges:

- 0 to 3L/min
- 0 to 8L/min
- 0 to 11L/min
- 0 to 13L/min
- to 20L/min with FC20 float cone

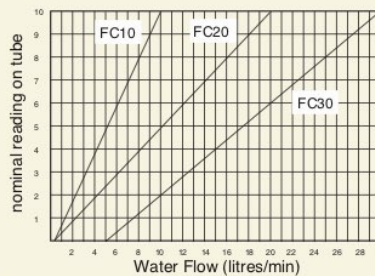
Also available 30L/min version, see below:



0 to 20l/min Water Regulator

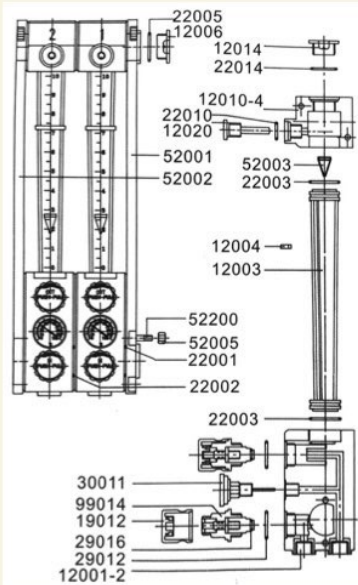


Working temperature 90°C.
Short-term max temp 100°C



Spare Parts

Zones	Part No.
Flow Cone 10L/min	FC10
Flow Cone 20L/min	FC20
Flow Tube 10/20L	12003
22001 O-ring	22001
22002 O-ring	22002
22003 O-ring	22003
22004 O-ring	22004
22005 O-ring	22005



Manifolds are supplied with 3/8" female pipe thread inlets/outlets. Remember to order required hose barsbs, male plugs, etc.

10 or 20L/min model

Zones	Lit/min	Width A	Part No
1	10 or 20	72	FR1Z
2		124	FR2Z
3		176	FR3Z
4		228	FR4Z
5		281	FR5Z
6		334	FR6Z
8		438	FR8Z
10		545	FR10Z
12		650	FR12Z

0 to 30l/min Water Regulator

High-flow model with 1 1/4" inlets

30 litre/min model uses 1 1/4" BSP inlet, large flow tubes, chambers and valves and large float cone



Working temperature 90°C.
Short-term max temp 100°C

30L/min model

Zones	Lit/min	Width A	Part No
4	30	228	FR4Z30
6		334	FR6Z30
8		438	FR8Z30
10		545	FR10Z30
12		650	FR12Z30

Part No.	Description	Part No.	Description
12001-2	Lower Housing	22005	O-Ring
12010-4	Upper Housing	29012	O-Ring
12003	Sight Glass	29016	O-Ring
12003-30	Sight Glass 30L	30011	Thermometer
12004	Reference Ring	52001	R.Side Plate
12020	Fixed Plug	52002	L.Side Plate
12006	Plug 3/4 NPT	52200	Screw
19012	Hand Wheel	52003	Float Cone
99014	Control Valve	12014	Plug
22001	O-Ring	22010	O-Ring
22002	O-Ring	52500	Mid Plate
22003	O-Ring	52205	1 1/4 Couple
22004	O-Ring	59061	Brush



PRICE PROMISE
We will not be beaten on price for similar product with the same quality and specification

01536 206653
nickerson europe
fax 01536 202196
sales@nickerson europe.co.uk

01536 403886
PMS
Plastic Moulding Supplies
fax 01536 400003
sales@pms europe.com

