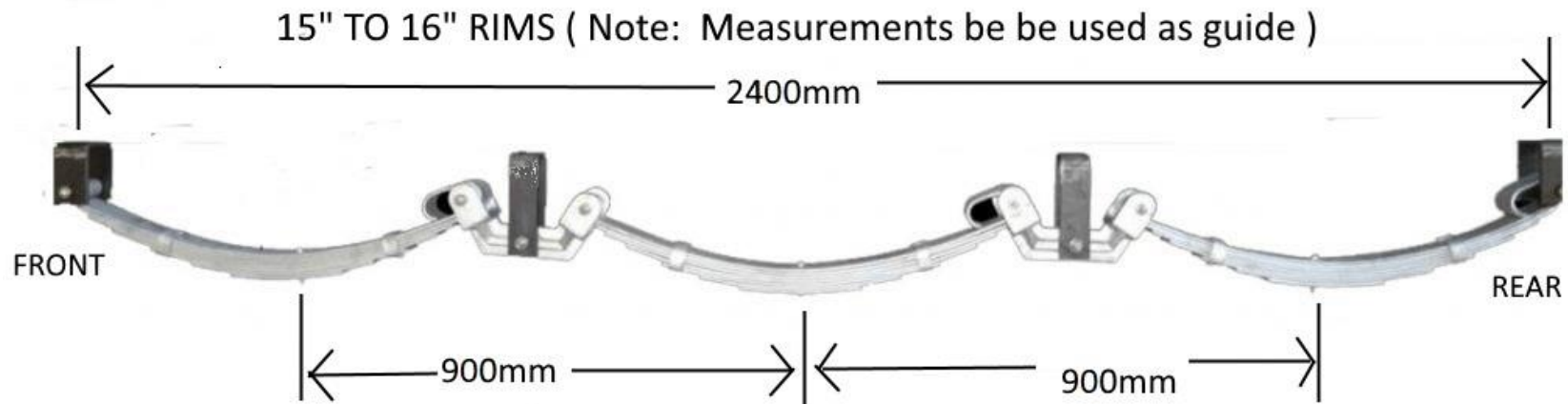


FITTING INSTRUCTIONS PART # 1001A



Disclaimer: As spring rolls can vary, please stretch springs out to their outer points before welding at suggested measurements to ensure for a correct fitting.*These measurements are guide only*