

INSTALLATION INSTRUCTIONS

Low Voltage Landscape Lighting

Specifications and product details subject to change without notice.

Important: Please Read Before Installation

This luminaire is intended for installation in accordance with local codes and the National Electric Code (NEC). Failure to adhere to these codes and instructions may result in serious injury, property damage and void the warranty.

These instructions do not intend to cover all variations in installation, operation maintenance or mounting situations.

1. Make sure that the power is turned OFF before installing or servicing this fixture.
2. Warning: this fixture is not intended to be installed within 10 feet [3 meters] of a pool, spa or fountain.
3. This fixture is intended to be used only with a power supply (transformer) rated maximum of 300 watts (25 AMPS) at 15 volts.
4. Underground Low Energy Cable must not be buried over 6" (15.2 cm) in order to connect to the main low voltage cable.
5. Wiring connections must be made with UL listed wire connectors that are suitable for outdoor use.
6. Position the wire connector so that it is located within 6 inches (15.2 cm) from a building structure, a luminaire, or fitting.

Important Safety Instructions

INSTRUCTIONS PERTAINING TO A RISK OF FIRE, OR INJURY TO PERSONS Lighted lamp is HOT!

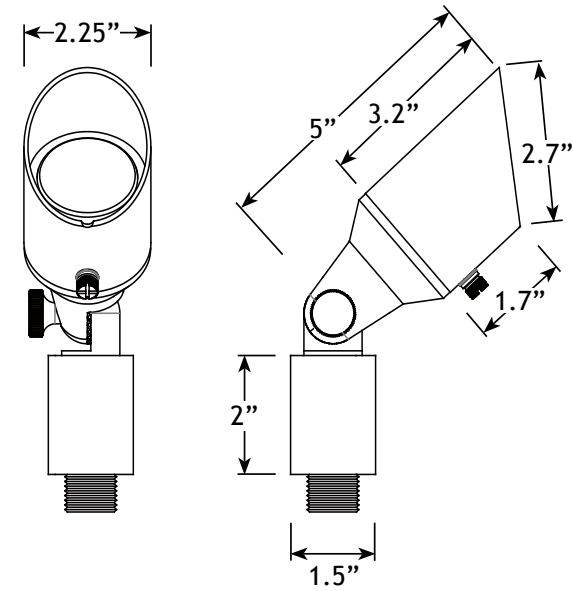
WARNING - To reduce the risk of FIRE OR INJURY TO PERSONS.

1. Turn off/unplug and allow to cool before reducing lamp.
2. Lamp gets HOT quickly!
3. Do not touch the hot lens, guard or cowl.
4. Keep lamp away from materials that may burn.
5. Do not touch lamp at any time.
6. Use a soft cloth.
7. Oil from skin may damage lamp.
8. Do not operate the fixture with a damaged or missing lens or shield.

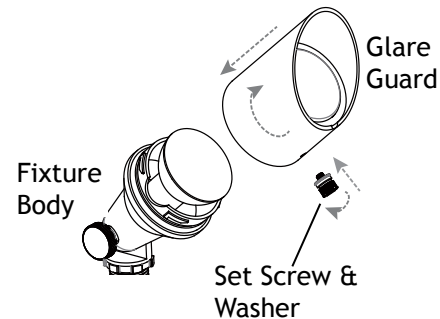
Package Contents

- A. (1) Fixture Body

Product Dimensions

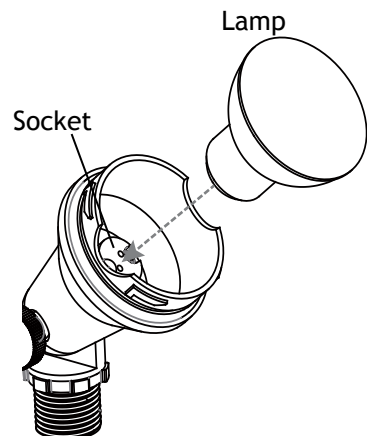


1 Remove Glare Guard



Remove the set screw and washer, rotate the glare guard counter clockwise and remove it from the fixture body.

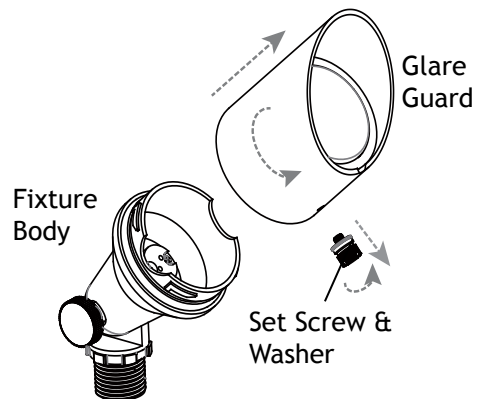
2 Install Lamp



Insert the lamp with the correct wattage and type marked on the fixture label and secure into place.

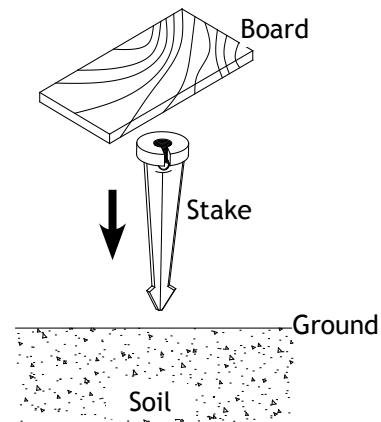
CAUTION: Do not exceed maximum wattage marked on luminaire label.

3 Install Glare Guard



Place the glare guard back onto the fixture body and rotate it clockwise. Thread the set screw with washer back onto the glare guard.

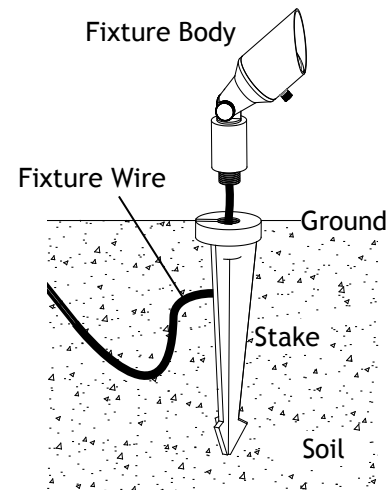
4 Install Stake



Determine the desired location for mounting the stake mount. Hammer the stake into the ground until flange of stake is flush to grade. To avoid damage to the stake, place a board on top of the stake while hammering.

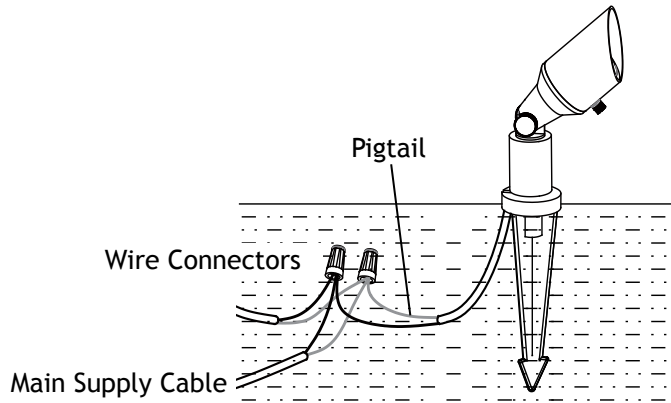
Note: If the ground is hard and the stake is difficult to install, make a crosscut in the ground using a flat shovel.

5 Install Fixture Body to Stake



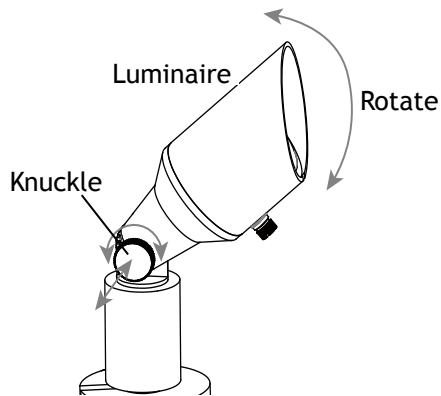
Pass the fixture wire through the center hole of the stake. Thread the fixture body onto the stake. Hand tighten until snug.

6 Wire Connections



Strip both leads from the luminaire pigtail. Using two wire connectors (sold separately), connect the leads from the luminaire to the main supply cable leads.

7 Adjust Luminaire Direction



Loosen the knuckle to adjust the luminaire to your desired direction. Always tighten the knuckle once your desired direction is achieved.

Install/Replace Lamp

Please reverse Step 2 - Step 3 to expose the MR16 lamp and replace it with correct wattage and type marked on fixture label. And then reinstall the glare guard.

IMPORTANT: Lamp must be protected from moisture and dust at all times. Always reinstall the glare guard when removed.

INSTALLATION INSTRUCTIONS

Low Voltage Landscape Lighting

Specifications and product details subject to change without notice.