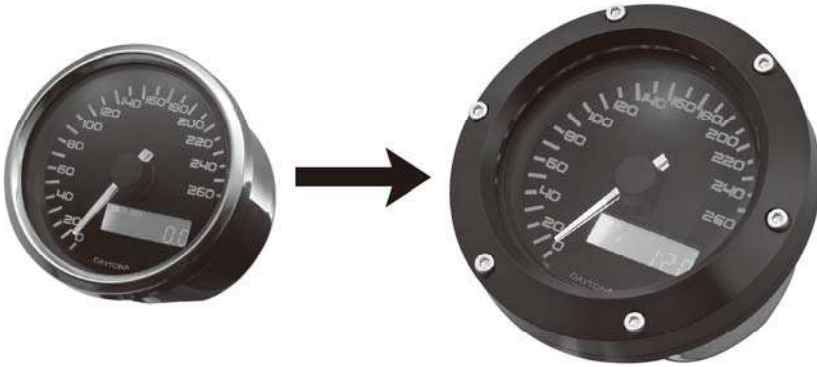
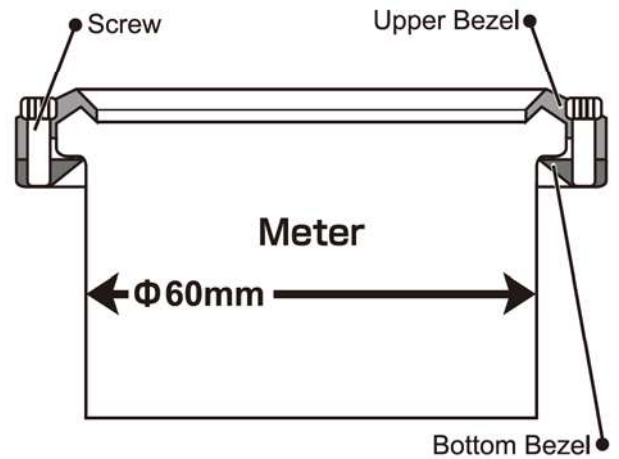
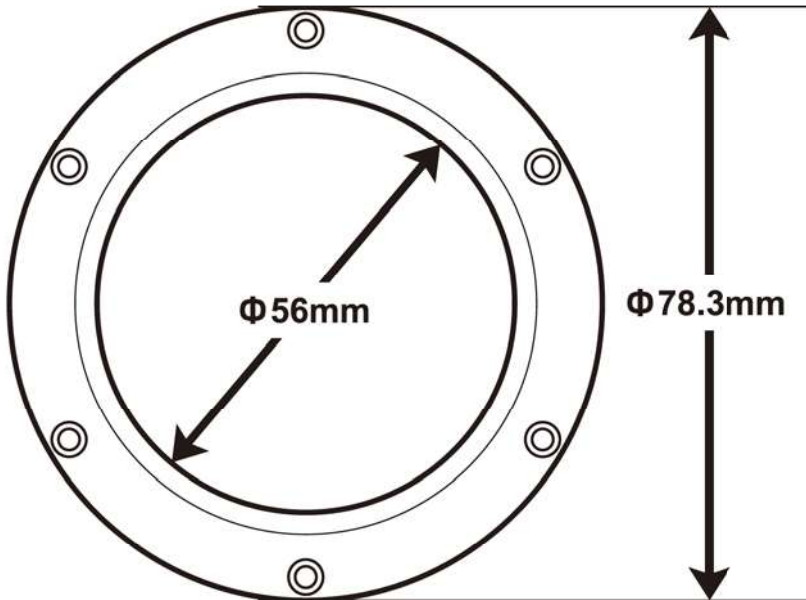


Aluminum Custom Gauge
BEZEL

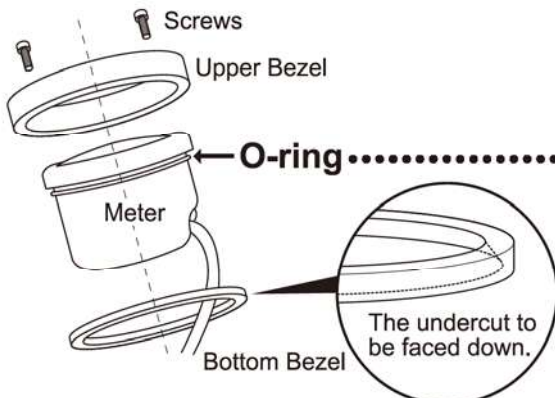
for VELONA speedometers/tachometers



- Adds a unique styling touch
- CNC Aluminum
- With installation kit
- Easy installation
- For 60mm (2 3/8") gauges



How to install



Do not use the O-Ring, if a 1.0mm or larger gap may be found between the upper and bottom bezels.

FOR DAYTONA **VELONA** METERS ONLY