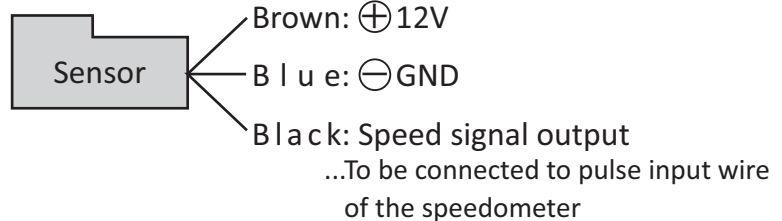


Instruction of Speed Sensor Kit (non-contact type) #87038

- This product sends signals to Daytona speedometers.
- To calibrate the speed, go to “Auto Calibration Mode” of VELONA or ASURA or NANO speedometers.
(See Instruction of VELONA or ASURA or NANO)

Components Wiring Diagram

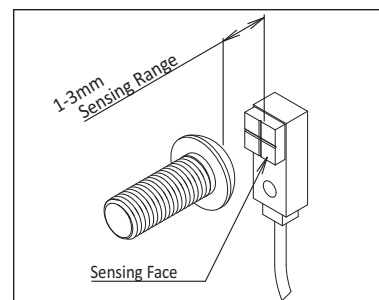
No.	DESCRIPTION	Q'TY
①	SPEED SENSOR	1
②	BRACKET	1
③	SCREW(M3x8)	1
④	CABLE TIE	2



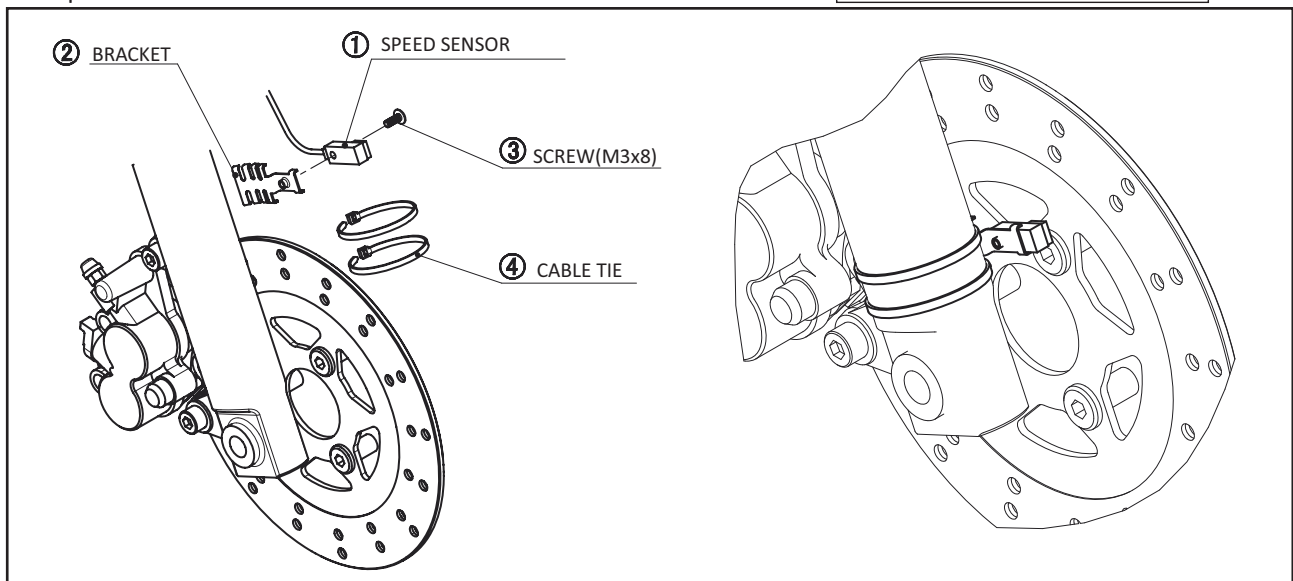
Installation

- ☆ If you are going to install this kit using the supplied ② BRACKET, assemble ① SPEED SENSOR and ② BRACKET using ③ SCREW(M3x8) first.
- ☆ Place the sensor near the screw head of the brake disc rotor, driven sprocket or something that rotates as the bike runs.
- ☆ Install as per example shown below.

“IMPORTANT!!”
The stable sensing range is 1-3mm.
Keep 1-3mm distance between the sensor and the screw head.



Example



⚠ caution

Be sure that sensor and/or bracket are firmly fixed on the bike, and that it will not contact any other moving/rotating objects.
Mismounting of the sensor and/or bracket may cause serious injury or damage.