

MT3 Quick-release Mount

User Manual

Description

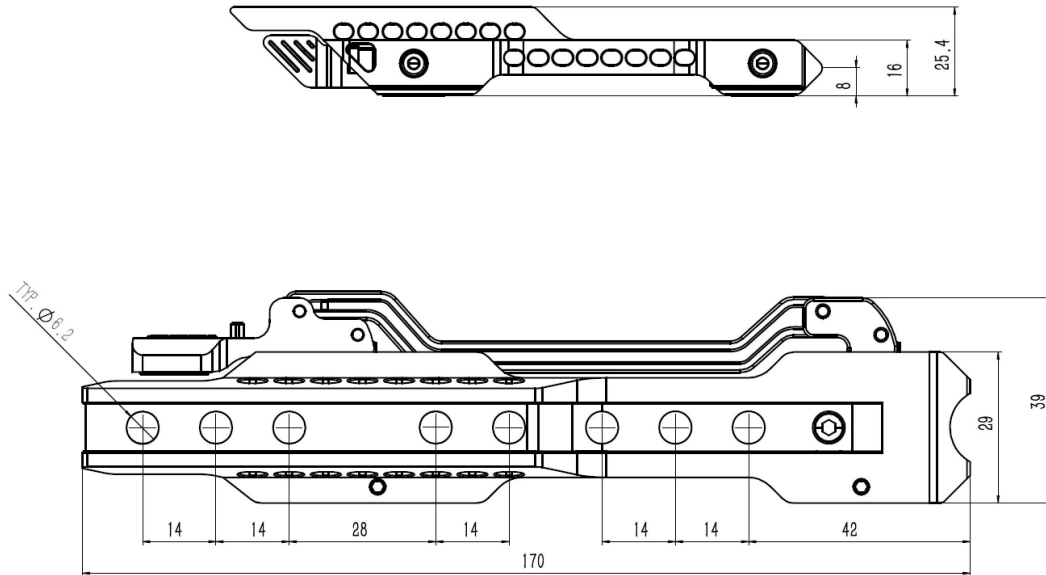
Our MT3 quick-release mount is meticulously engineered for the seamless installation of digital and thermal imaging riflescopes onto your dependable hunting shotgun. It's designed to be compatible with our wide range of products, including the NV008 Series, SA Series, FT3x Series and FD1 Series as riflescopes.

Key features

- Effortless Installation: Mount your digital or thermal imaging riflescopes on your hunting shotgun in seconds, no tools required!
- Swift Transitions: Switch between different optics and setups with ease, thanks to the quick-release mechanism.
- Rock-Solid Stability: Our precision-engineered design ensures a secure and wobble-free fit, keeping your scope firmly in place.
- Rugged Durability: Crafted for the rigors of the hunt, the MT3 is built to withstand the toughest conditions.

Upgrade your hunting game with the PARD MT3 Quick-Release Mount – where convenience meets reliability!

Dimensions (mm)



Note: Use M6 screws to fix the mount on the riflescopes.

Installation

Step 1: Attachment to Rifle Scope

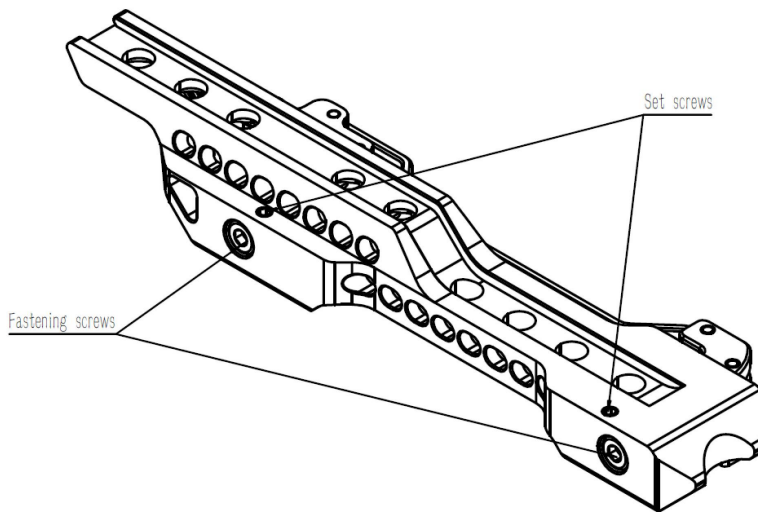
Using M6 screws, securely attach the MT3 mount to your rifle scope. Be sure to fasten them appropriately.

Step 2: Assembly on the Picatinny Rail

Place your rifle scope in a comfortable position on the Picatinny rail.

Step 3: Initial Setup (First Use)

For your initial use, it's essential to tighten the fastening screws as shown in the following picture. Adjust them according to the size of your Picatinny rail.

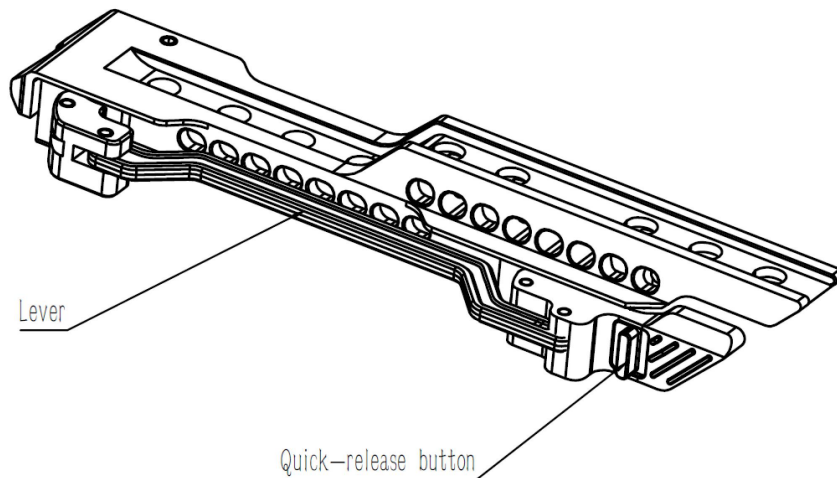


Step 4: Secure Fastening Screws

Once the fastening screws are appropriately tightened, secure them in place using the set screws. For future use, you won't need to tighten both the fastening screws and set screws.

Step 5: Lever Closure

Achieve a firm assembly by closing the lever. Simply push the button as indicated in the provided picture to ensure a snug fit.



Step 6: Zeroing Preparation

Your riflescope is now ready for zeroing. Proceed with your zeroing process as needed.

Step 7: Uninstallation

When it's time to uninstall the mount, push the button again to release and remove it.

Please follow these steps carefully to ensure the proper installation and use of your PARD MT3 Quick-Release Mount.

Important Notices and Information

PARD maintains the right to make adjustments to package contents, design, and product attributes that do not affect product quality, without the necessity of formal notification. For any technical support or inquiries, please feel free to contact us at support@pard-tech.com. You can also find answers to commonly asked questions about our devices in the FAQ section. We value your understanding and cooperation.