

MONT BLANC®

Headrest Dog Guard Fitting Instructions K9E/Laika

Please follow instructions carefully to ensure the safety of yourself and your passengers.
The initial assembly and fitting of this dog guard will take approximately 10 minutes.

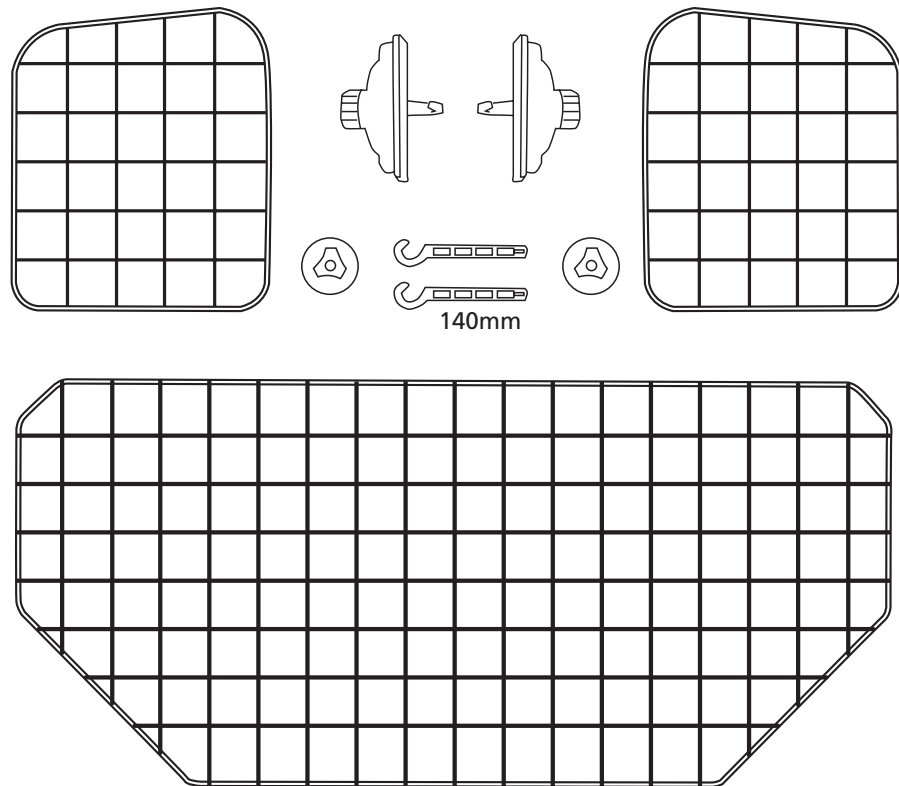
Before you begin:

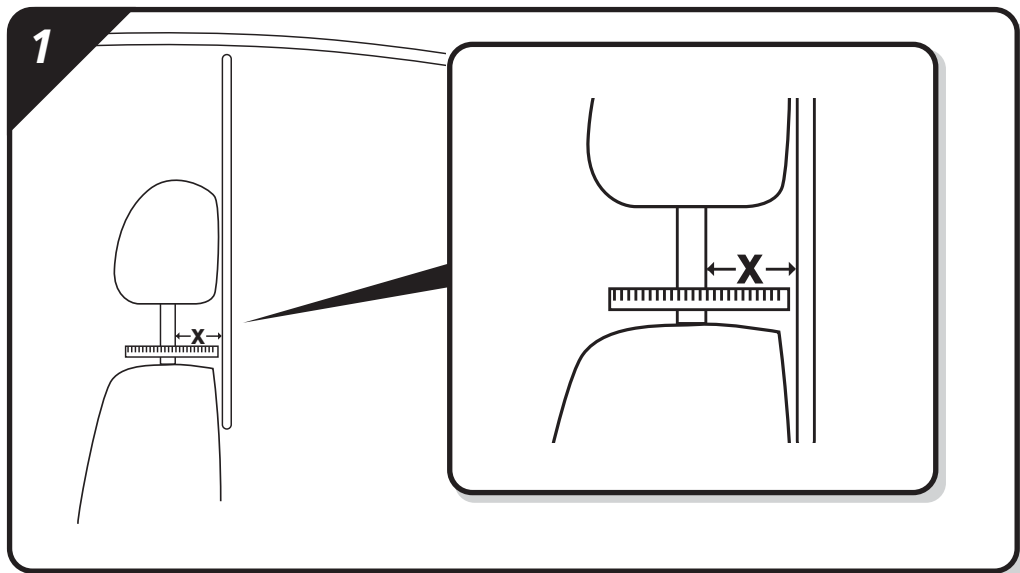
- Make sure all parts are included in the package.

Please retain these instructions for future reference.

Safety Note: This product is for use as a dog partition, and should not be used as a cargo barrier.

Contents

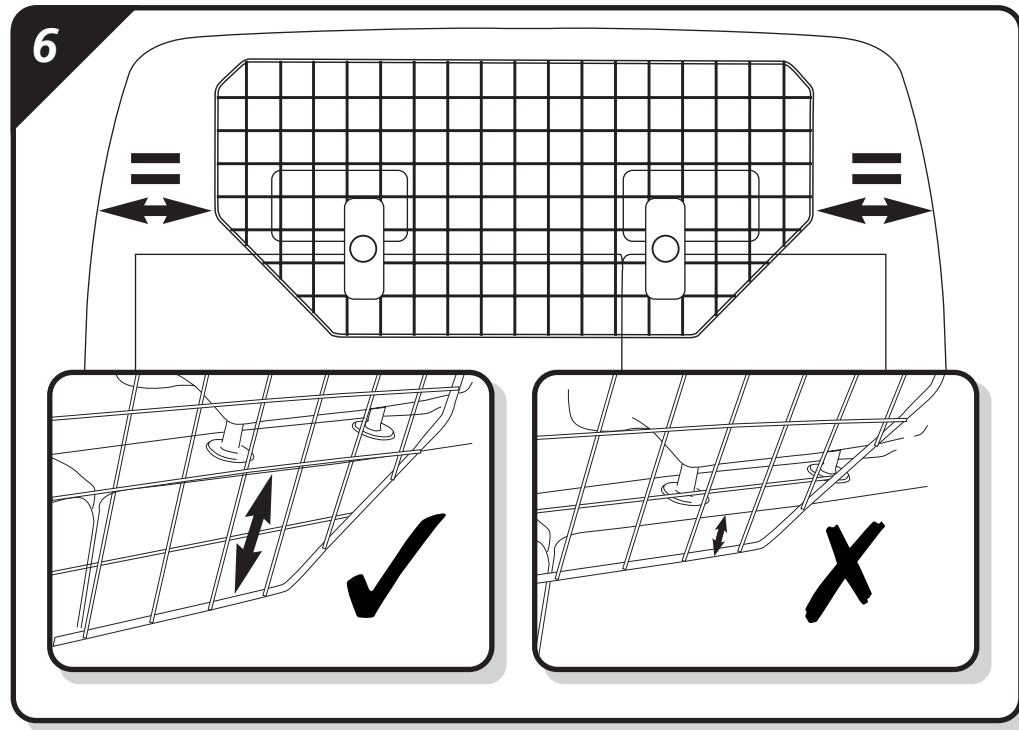
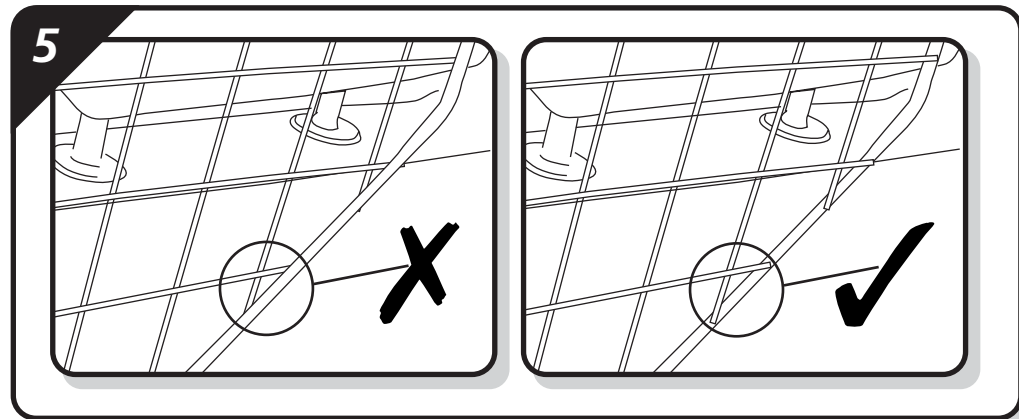
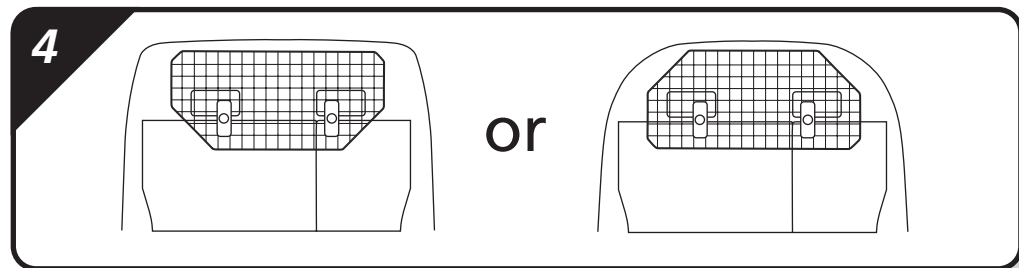
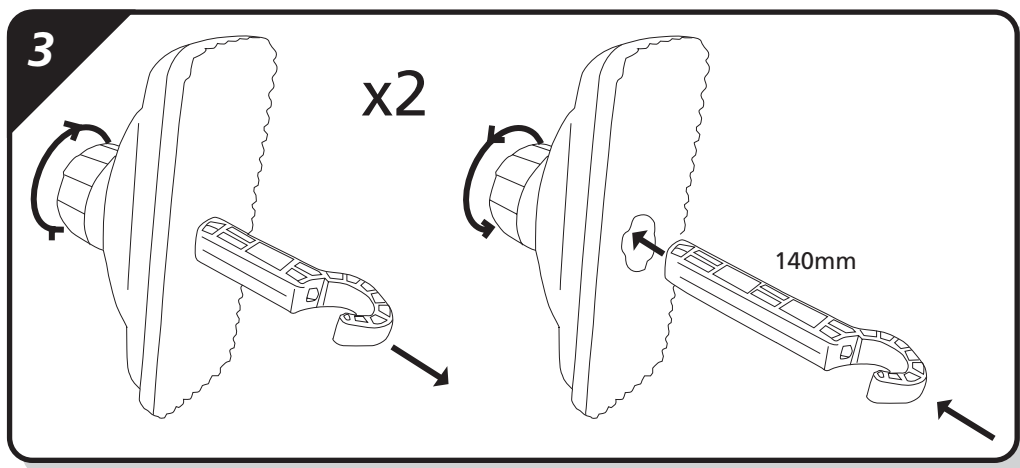


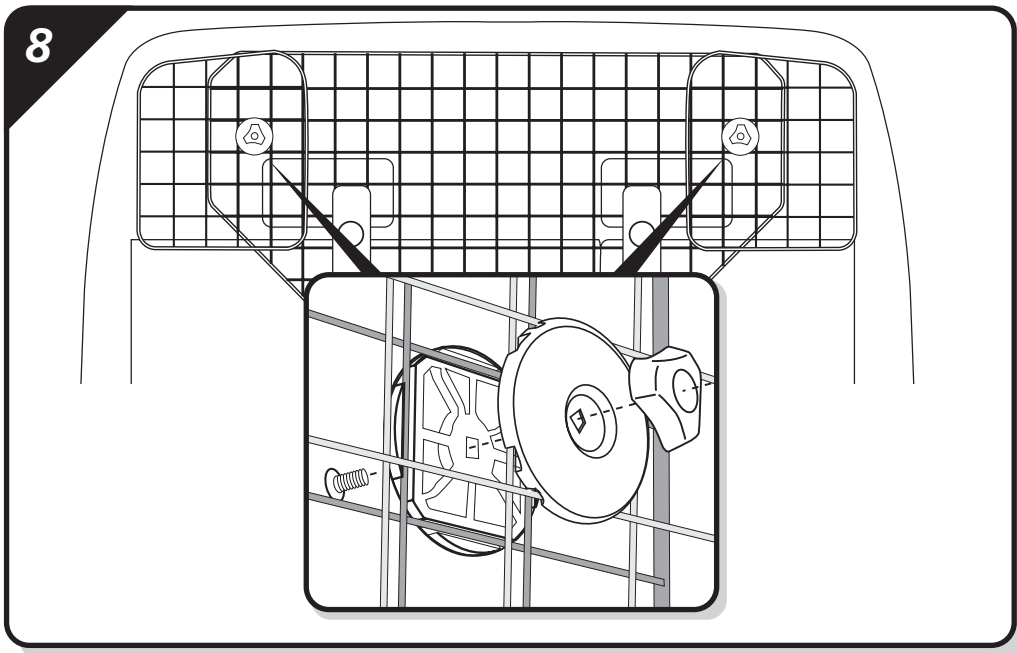
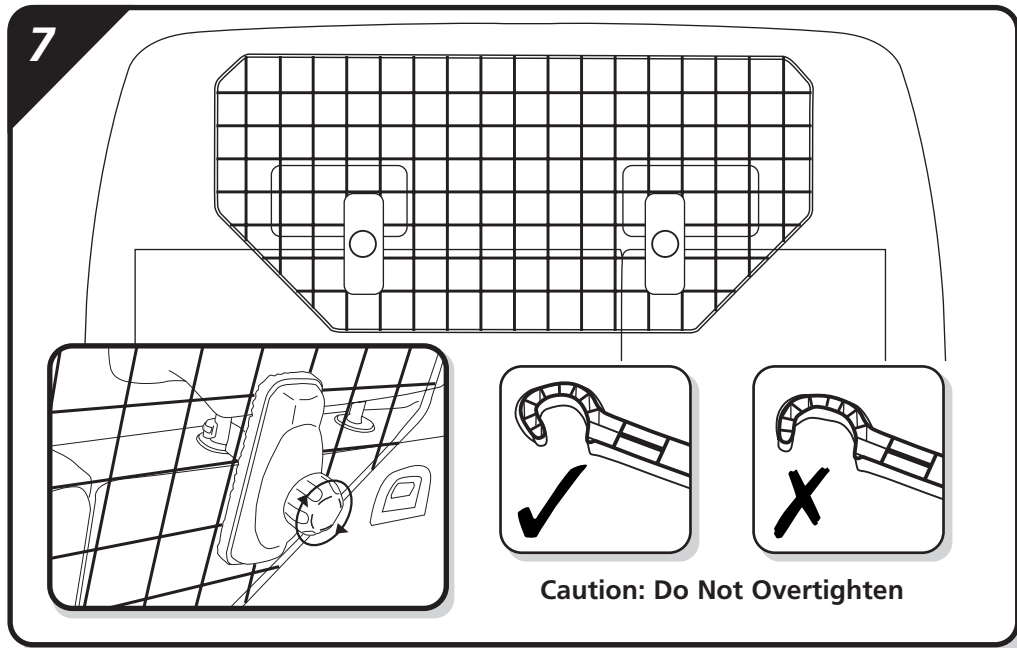


2

$x = 0 - 45\text{mm}$ → **4**

$x = 45+\text{mm}$ → **3**





MONT BLANC®

Made in the UK
Mont Blanc Industri UK Ltd, Eden Way, Pages Industrial Park,
Leighton Buzzard, Beds, LU7 4TZ
P1484-00