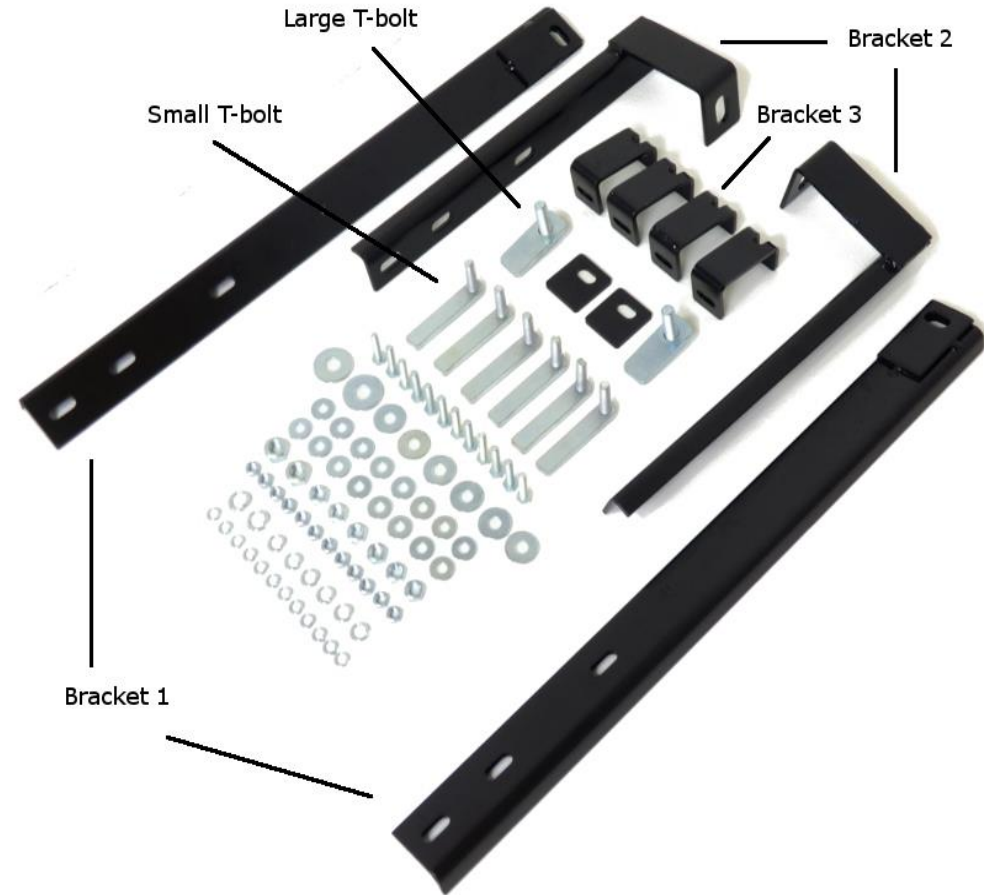


DIRECT4x4

Suzuki Vitara 2017 Onwards (After Market) Side Step Fitting Guide

1: Parts List

Part Name	Quantity
Side Steps	2
Front Brackets	2
Rear Brackets	2
C Brackets	4
Large T-Bolts	2
Small T-Bolts	6
Spacers	2
Bolts	12
Large Washers	8
Small Washers	16
Large Nuts	8
Small Nuts	12
Large Spring Washers	8
Small Spring Washers	12



Please ensure that you have received all of the components listed above before fitting. If you believe there is anything missing, contact us for assistance.

2: Fitting the Brackets (FRONT)

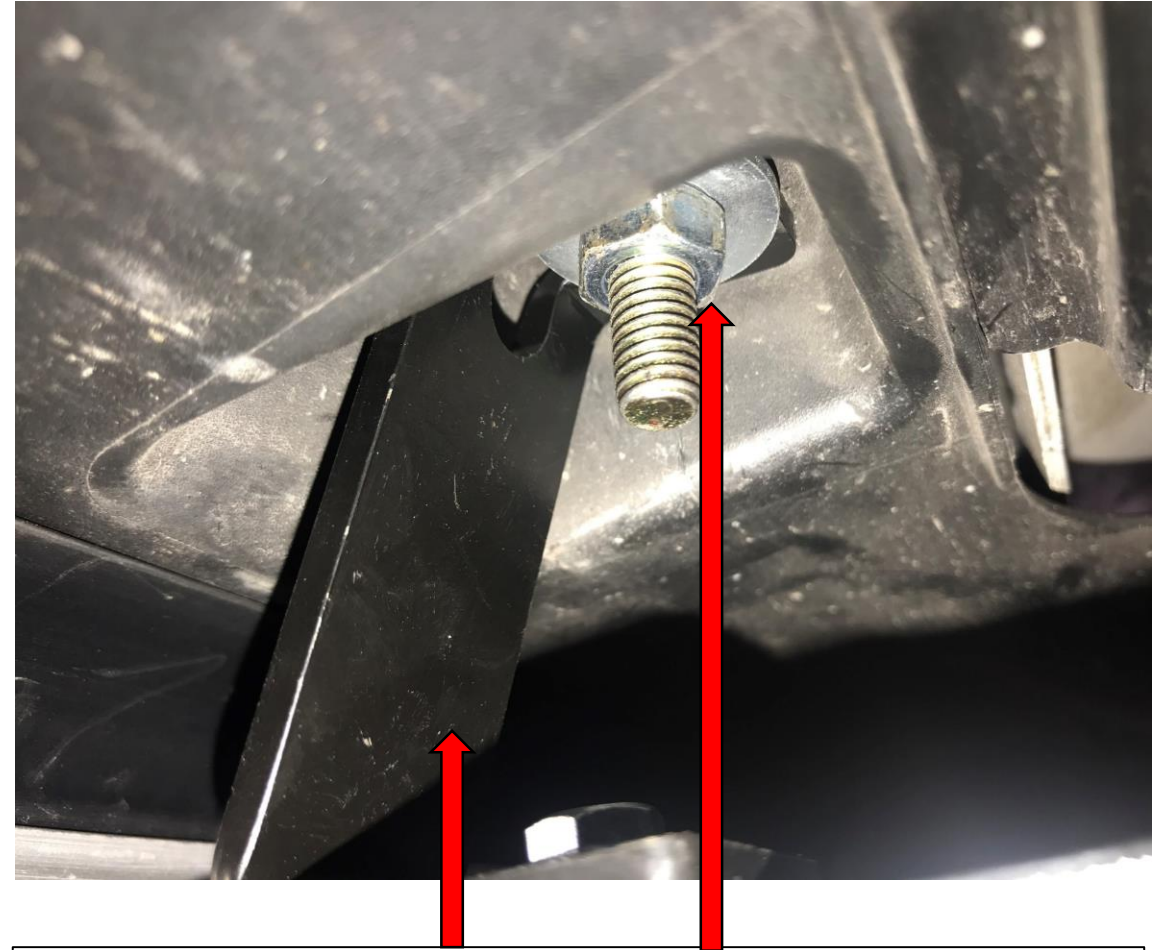
Remove the bung in the chassis place the large t-bolt into the hole, you will need the spacer in place for the bracket to clear the undertray and sill, leave loose for the next step.



Bolt the c section to the bracket arm, locate the bung in the sill then place the t-bolt into the hole and fix in place then tighten the whole bracket.

3: Fitting the Brackets (REAR)

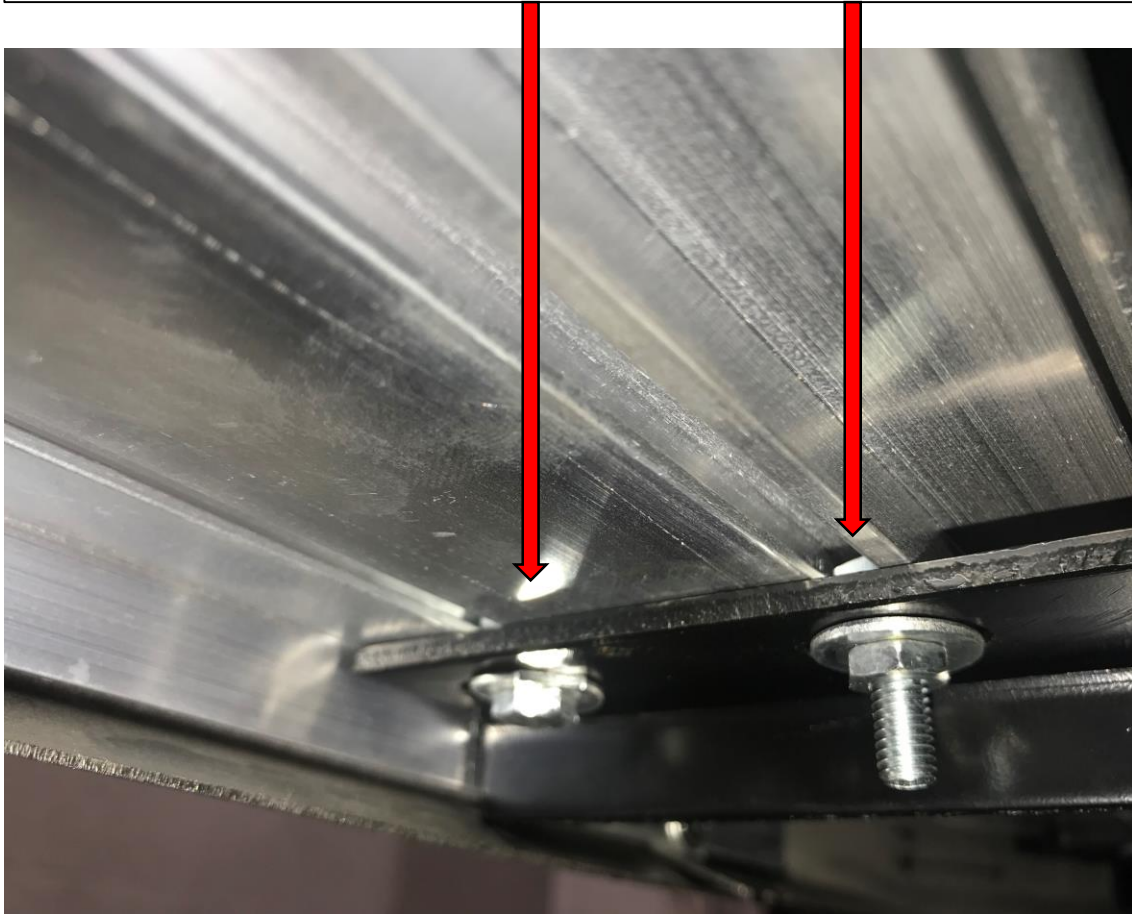
Remove the bung in the chassis, place the t-bolt into the hole but do not tighten this up yet.



Attach the c section onto the bracket arm with the bolt provided then locate the hole in the sill, put the t-bolt through and finger tighten. This can be done without removing the undertray, however you will need to loosen the undertray to get your hand in.

4: Fitting the Brackets (EXTRA)

Slide the fixing bolts down the channel on the side step to line up with the fitted brackets, and fix into place. These can be either bolted up or down as seen in the picture to secure onto the brackets.



Place the rubber seal at the back of the sill as this will keep the steps cleaner for longer.

General Care & Maintenance

!IMPORTANT!

We strongly advise you check under the car at several intervals after the initial fitting to ensure safety. After 7 days, check and tighten any bolts and we recommend inspecting the bolts, brackets and boards at least once every 6 months.

Cleaning Information

You can use most cleaning on these side steps. However, we strongly advise against using petrol based solutions or corrosive cleaning solutions which include TFR (Traffic Film Remover) or similar chemicals (brake strippers etc.) These will tarnish and possibly even corrode parts of the steps.

When cleaning underneath the side steps, be mindful of any protruding bolts or sharp edges, especially at the ends of the boards.

To increase the lifespan of your new side steps, we recommend occasionally cleaning the actual brackets.