

PRO-SOFT™

The Power of Performance

pro-soft.co.uk



PRO-SOFT™

info@pro-soft.co.uk | 0330 174 2142 | pro-soft.co.uk

Designed and prepared by Creative Company thisiscreative.co





The Power of Performance

PRO-SOFT XE

Launching its range of innovative, high specification water treatment products, Pro-Soft begins a new era in the UK water softening market.

These WRAS approved and class-leading softeners come stacked full of technology-led features. The XE range makes use of Pro-Soft's XE Pro-Brining technology, which means it only regenerates the resin that has been used, making these softeners Xtra Efficient.

Coupled with some of the highest flow rates and lowest pressure drops available on the market today, Pro-Soft offers a desirable range to cater for all requirements.

The PS-160XE has the highest capacity of any comparable softener in the UK. Fewer regenerations means less water usage for a more sustainable option.



**XTRA
EFFICIENT
WATER
SOFTENERS**

Pro-Soft Water Softener

ABOUT PRO-SOFT

Innovative Technology

We are excited to be able to share with you our new and extensive range of water treatment products that are headlined by our WRAS approved Pro-Soft XE water softeners.



Comprehensive Support

Our 30+ strong team have a combined experience of over 5 decades in the water treatment sector. With unrivalled knowledge and expertise, we have pooled all our resources to create a world class range of products.

Our strapline "The Power of Performance" defines the philosophy behind producing a high performance, highly efficient range, with a focus on driving education and supplying class-leading products for a sustainable future.

Our pioneering approach in the pursuit of excellence has culminated in this innovative collection of highly efficient softeners, large capacity filters, performance-led water purifiers and premium quality taps. With a dedicated customer service and technical team, we operate a fully supportive approach combined with the industry's finest one-stop-shop.

Sustainable

The PS-160XE has the highest capacity of any comparable softener in the UK. Fewer regenerations means less water usage for a more sustainable option.

The latest innovations in our water softening technology affords consumers the luxury of protecting their homes and appliances from the negative effects of limescale while conserving more water and energy than before. The Pro-Soft range of water softeners offer many advantageous benefits such as high flow rates and low pressure drops and make use of next-gen XE Pro-Brining technology which means the softeners only regenerate the resin that has been used, making them more efficient and more of a sustainable choice than many of their counterparts.

Focused on innovation, technology and specification, our products have been carefully crafted to offer a high performance, class-leading range of sustainability-focused water treatment solutions.

Full marketing assets available for download via the Pro-Soft Portal
pro-soft.co.uk

Soft Water Just Healthier!

HEALTHIER FOR YOUR BANK ACCOUNT

Your appliances will last longer!

Save £££'s a year on hard water costs

Up to **£400**

Spend significantly less on soaps, detergents & cleaning products

Save on energy bills

Up to **24%**

Healthier for your home

- No more limescale around your home
- Easier cleaning with soap that lathers better
- Leaves your clothes and laundry feeling softer



Healthier for you

- Softer, smoother skin
- Silkier, shinier hair
- Helps alleviate skin conditions such as, eczema, psoriasis, etc.



Pro-Soft Water Softener



PRO-SOFT SOFTENER

Protect your investment and enjoy all the benefits and features our WRAS approved Pro-Soft water softeners have to offer.



Warranty for Xtra peace of mind

Our Pro-Soft water softeners come with a comprehensive 5-year parts warranty, giving you complete peace of mind.

PPP (Pro-Protect Programme) for 24/7 protection

Detects leaks, learns water usage patterns to save on salt and water use, regenerates at 2am, stores data when power is lost and initiates additional regen when required.

Compact and easy installation with softener programming taking just a few seconds.

Electronic clear-view display and control panel

BST and GMT time changes are automatically detected.

Low voltage electronics via safe plug-in transformer.

The XE Pro-Brining Advantage over conventional softeners up to:

24% less water use

56% saving on salt

46% larger capacity

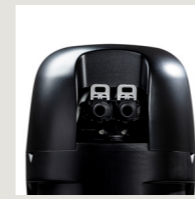


10kg: PS-10TAB 25kg: PS-25TAB

Water Softener Salt

Pro-Soft high purity salt available in 25kg and 10kg (easy-carry) bags.

- Grade A Food quality (BS EN973 standard)
- Pure Dried Vacuum (PDV) purity level
- No anti-caking agents
- Compatible with all tablet salt and block salt water softeners



The heart of the softener - The Power of Performance



Sleek, compact design



Easy-programme 3 button display



Includes Salt Alarm

Technical Information

Pro-Soft	Number of Occupants	Capacity (litres)	Litres of solvent-free resin	Salt use per regen (kg)	Maximum flow rate (lpm)
120XE	1 - 6	2160	12	1.26 - 1.8	78
160XE	1 - 9	2880	16	1.68 - 2.4	78
350XE	2 - 20	6300	35	3.68 - 5.25	75

Figures based on 300ppm at 142 litres per person per day
 Water pressure: 1.4 - 5 bar
 Operating temperature: 2 - 60°C
 3/4" male bsp connections - 1" optional
 Supplied with 2.5m drain hose, water hardness test kit, jubilee clip and 2 drain hose clips
 Suitable for 15, 22 and 28mm supplies
 Tablet salt only (25kg and easy-carry 10kg options available)

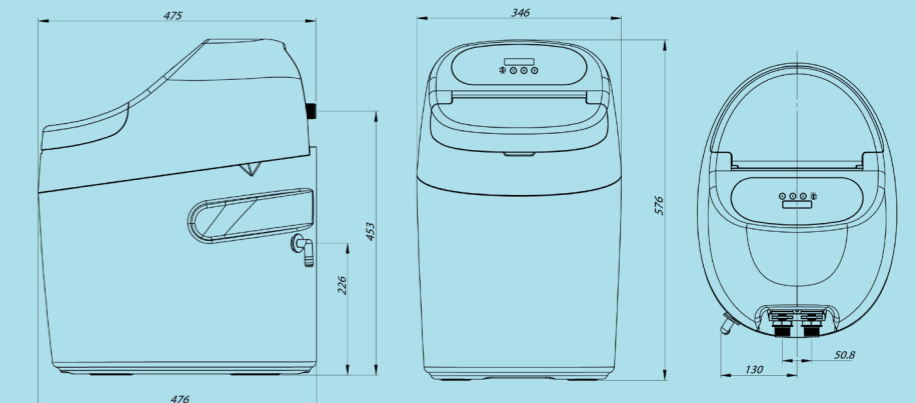


The Practical Parts

Dimensions

Pro-Soft	Height mm	Width mm	Depth mm
120XE	576	346	476
160XE	629	346	476
350XE	1087	346	476

Full schematics and marketing assets available at pro-soft.co.uk



Pro-Soft Taps

Panasonic
ELCB SAFETY TECH

BOILING WATER TAPS

Boiling water on demand

Pro-Soft boiling water taps dispense boiling water instantly through specially designed faucets that deliver convenience and luxury for the whole family.

Not only does the tap offer time and cost savings versus a traditional kettle, but they have been designed with child safety in mind. The taps come with child-proof safety locks on the hot water handle and are made using a specialised anti-scald material, preventing scalding at touch.

- Delivers 98°C filtered water instantly
- 4 litre hot water tank capacity
- Child-proof safety lock feature on tap
- Luxurious chrome finish
- Double protection with two thermostats, anti-scald material and Panasonic ELCB safety equipment
- Can be supplied with Altai or Andes water filter



Amaro scale prevention and premium water filter as standard. Features auto-shut off head.



Complete with under the sink boiling unit

DELIVERS
98°C
FILTERED
WATER
INSTANTLY



Caldera chrome boiling water tap instantly dispenses 98°C filtered water for the perfect cup.
PS-CAL-AF2



DOUBLE
PROTECTION

Lipari brushed chrome boiling water tap instantly dispenses 98°C filtered water alongside cold filtered water.
PS-LIP-AF2

Technical Information

Caldera tap dimensions: Height 230mm Width 200mm
Lipari tap dimensions: Height 255mm Width 200mm
Tank dimensions: Height 390mm Width 180mm Depth 240mm
Connection outlet: 3/8" SF
Water pressure: 1.5 - 6 bar
Filter capacity at 180ppm: 2,400 litres
220v power connection with 13amp plug
UKCA, CE, NSF and UL approved
Complete with installation kit

PRO-SOFT™

SIPI THREE-WAY TAPS

Drink it in

The Pro-Soft Sipi range of Three-Way taps are some of the most elegant and beautiful mixer taps on the market today. Combined with our Altai filters, they offer a complete enhancement to both the look of a kitchen and the drinking water available in it.

Triberg, Tudaya & Tugela Three-Way Taps complete with Altai Filter

Minimalism and elegance synergise to enhance the luxury in our Sipi Three-Way tap collection. The tap provides healthy filtered drinking water (using the Altai filter) alongside hot and cold water using a tri-flow design from two beautifully crafted levers.

- Easy dispense from two chrome levers offering cold, hot and filtered water all from the same tap
- Supplied with the Altai water filter for clear and fresh tasting water
- Minimalist design, precision-engineered
- Luxurious chrome finish
- Dezincification resistant (DZR)
- Quick and easy installation
- Can be supplied with Amaro or Andes water filter
- Can be used in conjunction with the water purifier range for the ultimate taste



Triberg PS-TRI-AF1



Tudaya PS-TUD-AF1



Tugela PS-TUG-AF1

**HOT, COLD
AND FILTERED
WATER**

Technical Information

Tap dimensions: Height 310mm Width 183mm
Connection outlet: Tap hoses
Water pressure: 1.4 - 5.5 bar
Filter capacity at 180ppm: 10,000 litres
UKCA, CE and NSF approved
Complete with installation kit

PRO-SOFT™

Pro-Soft Filters & Purifiers

WATER FILTERS

Altogether Healthier

For a healthier home you can install a Pro-Soft water filter that removes unwanted substances in your drinking water, resulting in a cleaner and fresher taste.

Altai Filter

Incorporates scale-stopping media to reduce scale. Removes unwanted impurities such as chlorine, herbicides, pesticides and organic chemicals giving ultra clear and fresh tasting water with every dispense.

Amaro and Andes Filter

Scale removal technology eliminates the damaging effects of limescale. Removes unwanted impurities such as chlorine, herbicides, pesticides and organic chemicals giving ultra clear and fresh tasting water with every dispense.

All three filters include an auto shut-off head for easy cartridge change without the need to turn off the water supply.

Amaro (pictured)
PS-AF2-TP1

Altai
PS-AF1-TP1

Andes
PS-AF3-TP1



ULTRA-CLEAR FRESH TASTING WATER

Technical Information

Water Filter	Capacity (Litres at 180ppm)	Height mm	Width mm	Depth mm	Connection Inlet/Outlet	Water Pressure (bar)
Altai	10,000	250	180	100	3/8" SF	1.4 - 5.5
Amaro	2,400	370	180	100	3/8" SF	1.4 - 5.5
Andes	5,600	432	180	100	3/8" SF	1.4 - 5.5

WATER PURIFIERS

Healthy Hydration

Our range of water purifiers will remove unwanted impurities providing the ultimate in healthy hydration for the most wholesome drinking water available.

Aira, Edessa & Kagera Water Purifiers

Using a semi-permeable 0.0001uM membrane to provide the best quality drinking water available, removing unwanted impurities. The purifiers also use a high performance remineralising post filter to refresh the taste, adjust the odour and add the essential minerals back into the water.



PS-AIR-01



PS-EDE-03



PS-KAG-02

Aira

- Separate space-saving 8 litre storage tank (340mm height x 250mm diameter) that can be cited up to 3 metres from the main unit
- Integrated manifold reducing connections needed by nearly 70%
- Easy quick change cartridges
- Pumpless design
- Includes Pro-Soft TP2 Tap

Edessa

- Integrated 4.4 litre tank for direct drinking
- Easy installation with small footprint
- Class-leading efficiency ratio
- Includes booster pump for continuous flow
- Includes Pro-Soft TP2 Tap and 13 amp 100-240v transformer (13AMP Fuse in the plug, Input = 100-240V~ 50/60Hz 1.5A Output = 24V -... 1.5A)

Kagera

- Ultra-high flow membrane for tankless direct drinking
- Sleek and elegant design
- Class-leading efficiency ratio
- Includes booster pump for continuous flow
- Includes Pro-Soft TP1 Tap and 3 amp 100-240v transformer (3AMP fuse in the plug, Input = 100-240V ~ 50/60Hz 3.0A Output = 24V -... 4.0A)



TP1



TP2

Technical Information

Water Purifiers	Flow Rate (litres per hour at 180ppm)	Height mm	Width mm	Length mm	Connection Inlet/Outlet	Water Pressure (bar)
Aira	8*	430	380	150	1/4" SF	2.4 - 5.5
Edessa	20	400	240	490	1/4" SF	1.4 - 5.5
Kagera	60	440	190	390	3/8" SF	1.4 - 5.5

* pressure dependent

All purifiers include 5 level multi-filtration:

1. Sediment pre-filter
2. GAC filter
3. Carbon block filter
4. Ultra high flow membrane
5. Remin post filter

Complete with installation kit UKCA, CE and NSF approval