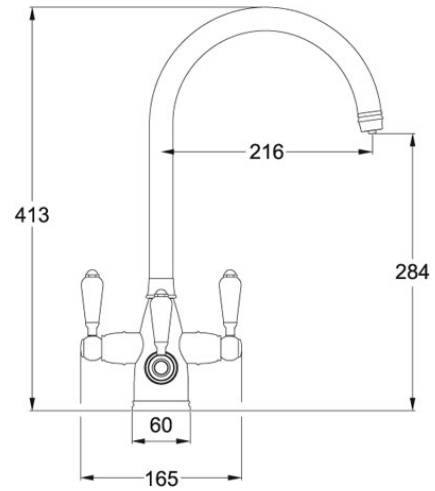


Corinthian Swivel Spout Chrome | 120.0184.665

FAMILY : FilterFlow Taps | SERIE : Corinthian | MODEL : Swivel Spout | FINISH : Chrome | INSTALLATION TYPE : Sink/Worktop



Franke FilterFlow taps deliver hot, cold and filtered water using an advanced ceramic cartridge. Combining the considered beauty of our most stylish designs and the technologically advanced ceramic water filtration system, Franke FilterFlow taps are the perfect addition to any modern kitchen, offering the convenience of a separate filtered water supply, providing drinking water that is clean, refreshing and free of impurities. Having filtered water at your fingertips means no more cumbersome, expensive bottled water.

TECHNICAL DATA

Version	Bi-Flow Spout
Handle Width	165.00 mm
Height Overall	413.00 mm
Height to End of Spout	284.00 mm
Spout reach	216.00 mm
Hot Flow Rate at 0.3 bar	3.9 litres/min
Suitable for low pressure system	No
Remarks	The minimum bar pressure for FilterFlow is 1 bar hot and 1 bar cold. Maximum pressure is 5 bar
Type	Quarter Turn Ceramic Disc

Corinthian Swivel Spout Chrome | 120.0184.665

FAMILY : FilterFlow Taps | SERIE : Corinthian | MODEL : Swivel Spout | FINISH : Chrome | INSTALLATION TYPE : Sink/Worktop

SUGGESTED PRODUCTS



115.0049.979



115.0049.980



120.0180.352



120.0180.353



120.0180.354



120.0180.355



120.0180.356



120.0180.357



120.0184.666



120.0187.409



120.0187.422



115.0250.326



115.0250.327



115.0251.257



115.0251.258



115.0250.635



115.0250.636



115.0250.642



115.0250.644



115.0250.638



115.0250.639



120.0205.279



115.0263.762



115.0263.763



115.0277.025



115.0277.028



115.0277.030



115.0277.031



115.0311.215



115.0311.216



115.0311.217



115.0311.218



115.0311.219

115.0311.209

115.0311.210

115.0311.292



115.0311.293

115.0364.026

115.0363.817