



# PB1 50



DIESEL



FEATURES	PB1 50
Voltage DC [V]	12 - 24
Current max [A]	18 - 9
Power [W]	216 - 216
Fuse [A]	30 - 15
Motor protection	IP55
On/Off Switch	Yes
Cable [m]	4
Duty Cycle [min]	S2 30
Nominal Flow Rate [l/min / GPM]	50 / 13,20
Max Pressure [bar / psi]	1,6 / 23,2
Dry Suction height [m]:	2
Internal By-Pass	Yes
Inlet [BSP/G]	1" F
Outlet [BSP/G]	1" F
Pump body material	Cast Iron
Impeller material	Sintered Steel
Vanes material	POM
Ring material	HNBR
Gasket material	NBR
Internal filter	Yes
Motor support	Yes
Handle	Yes
Min/Max Temperature [°C]	-20/+50
Max fluid viscosity [cSt] (a 40 °C):	2 ÷ 5
Allowed fluids	diesel
Forbidden fluids	
Loudness at less 1 meter [dB]	70 - < 75
Net weight [kg]	4.8
Gross weight [kg]	5.2



category

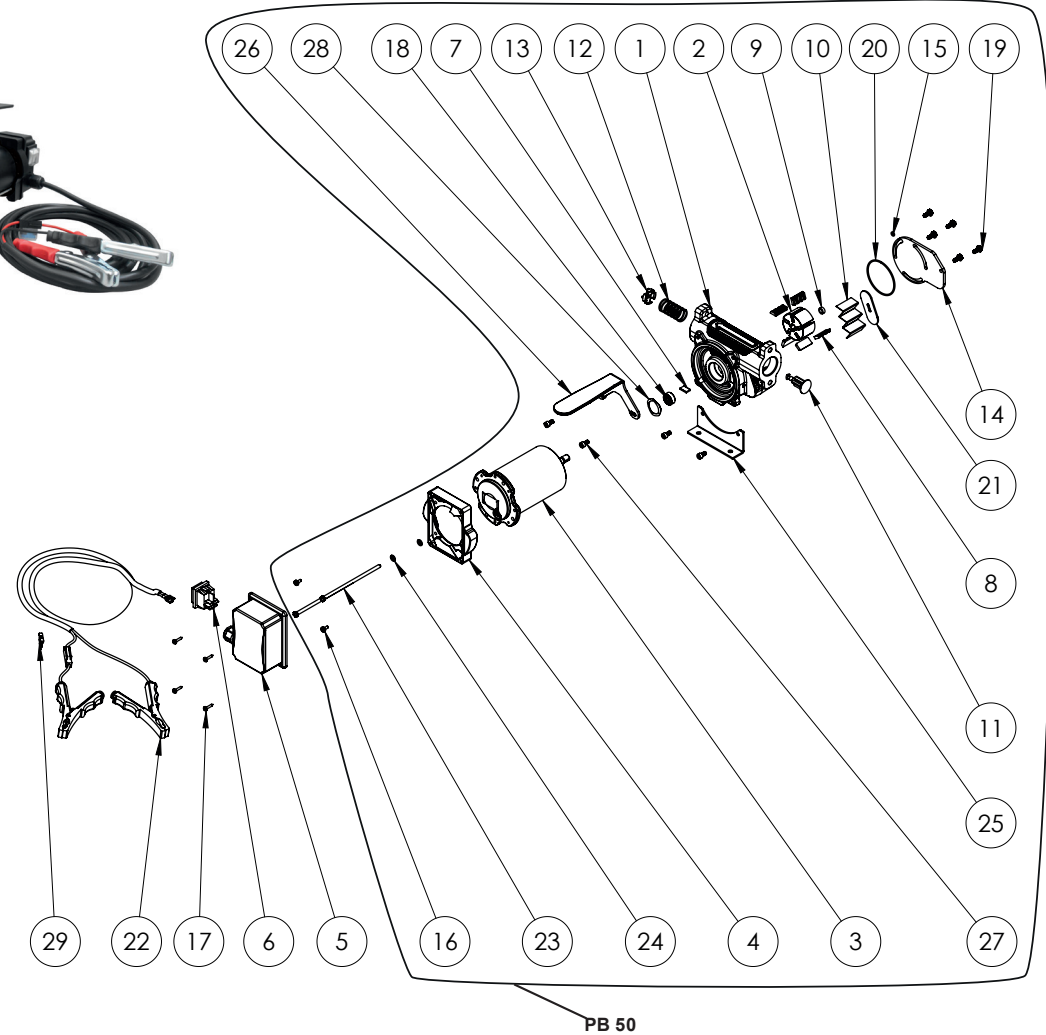
diesel electricpump

model

MADE IN ITALY 

# PB0 - PB1 50

	12V	24V	DESCRIPTION	QTY
1	CP011X	CP011X	BODY PUMP	1
2	61000003	61000003	ROTOR Ø45	1
3	ME040	HE041	MOTOR 12V PB 50	1
4	PA017	PA017	FLANGE	1
5	PA016	PA016	CONDENSATOR BOX	1
6	190050210000	190050210000	SWITCH 22X30 + COVER	1
7	71000517	71000517	PLASTIC PIN	1
8	71000522	71000522	SMALL VANE	5
9	DC007	DC007	BUSH PA66 DE 10 DI6 H4	1
10	PA019	PA019	INOX FILTER 16X49	1
11	71000520	71000520	BY-PASS VALVE	1
12	71008006	71008006	SPRING Ø21.4X42	1
13	PA037	PA037	BYPASS CAP	1
14	PA018	PA018	SWIVEL LOCKING PLATE	1
15	11010040200	11010040200	O-RING 2015 NBR	1
16	82301410100	82301410100	SCREW TC M4 X 8	2
17	VT004	VT004	SCREW TC Ø3,5X16	4
18	12010031000	12010031000	SHAFT SEAL Ø19	1
19	VT046	VT046	SCREW TE M5X12	5
20	OR039	OR039	O-RING NBR70 57X2	1
21	OR037	OR037	FILTER SEAL	1
22	17001108	17001108	4M CABLE WITH CLAMPS	1
23	61004600000	61004600000	TIE ROD M5 X 125	2
24	83101810000	83101810000	PLATE WASHER 5X10X1	2
25	71000031	71000031	HOLDER	1
26	PB003	PB003	HANDLE	1
27	VT033	VT033	SCREW M5 X 10 (PB1 50)	4
28	VT042	VT042	COMPENSATION RING	1
29	190170130000	190170130000	FUSE	1

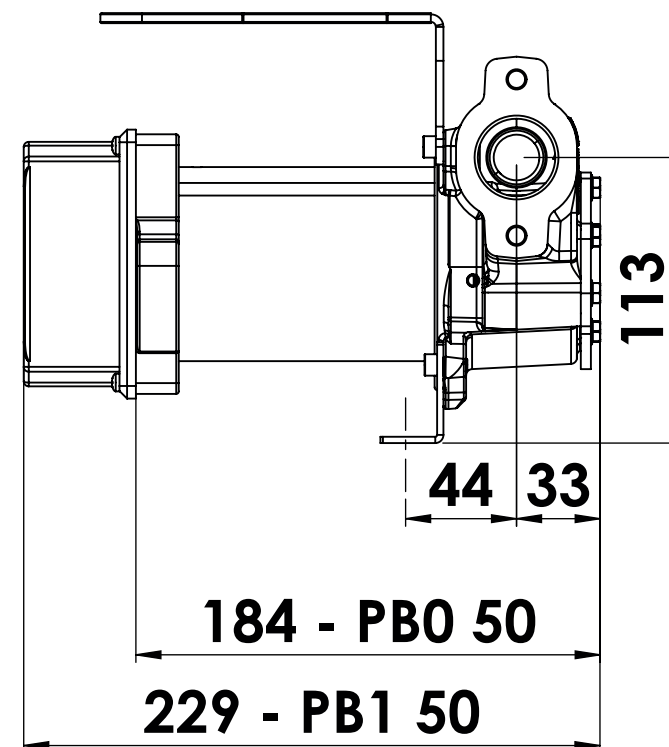
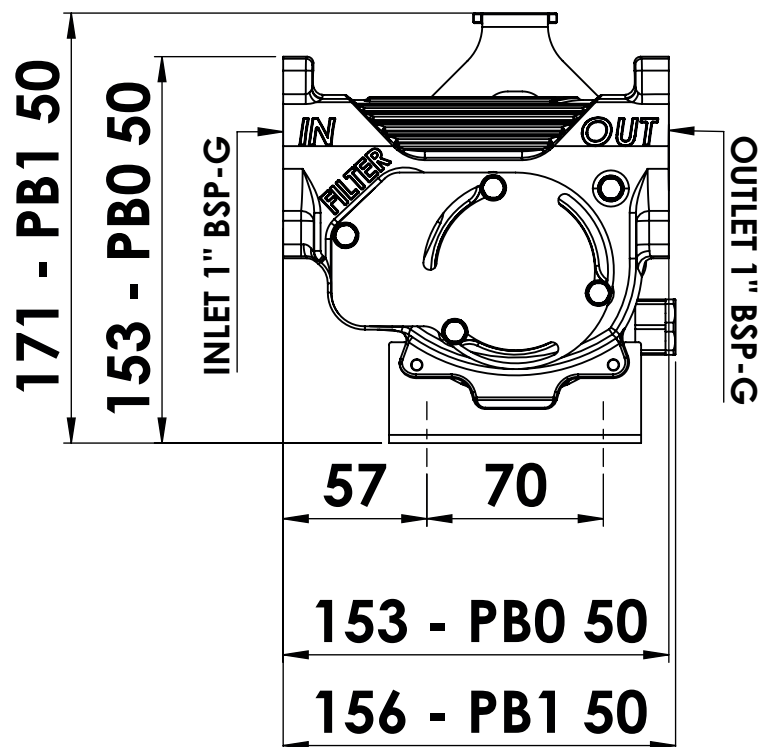




# PB0 - PB1 50L



PB0 - PB1 50



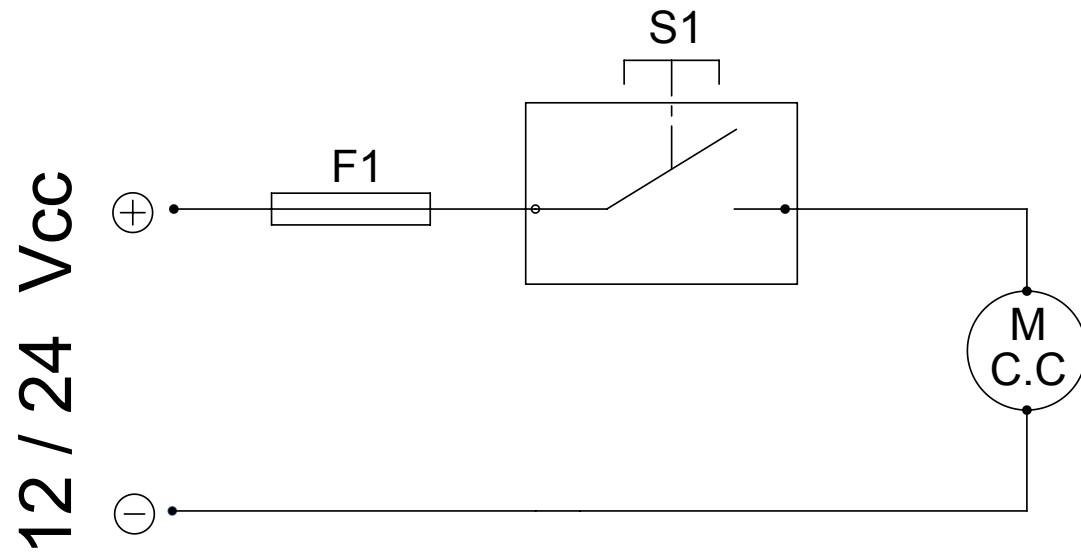
tutte le dimensioni espresse in mm - all dimensions are in mm



# PB1 50



wiring diagram



S1: ON-OFF switch  
F1: Fuse  
M: Motor