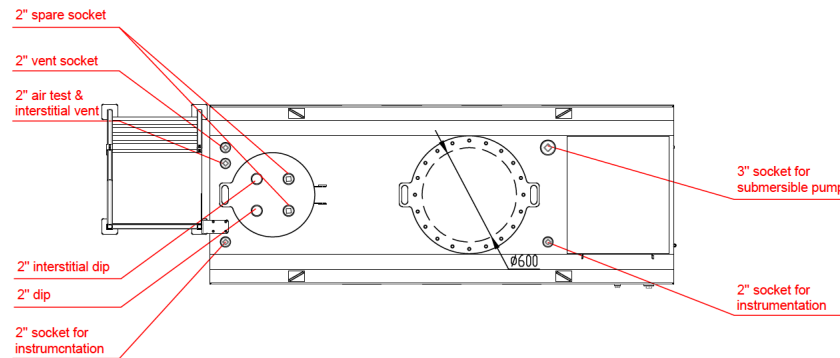
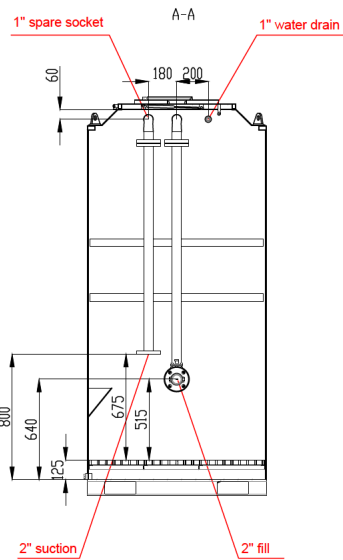
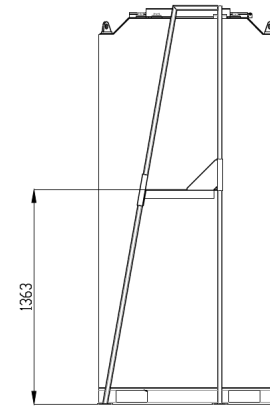
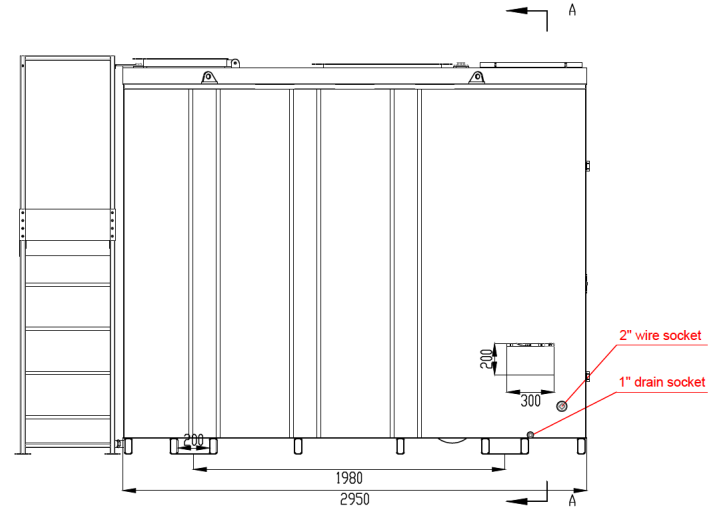
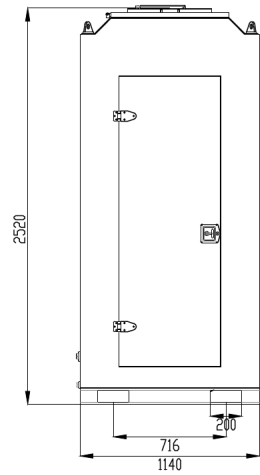
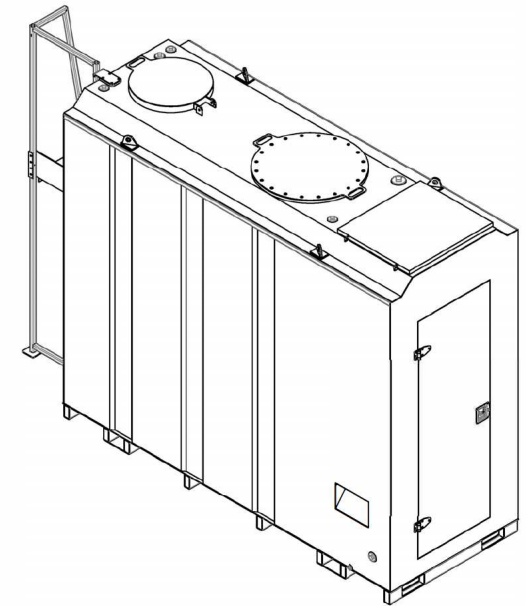
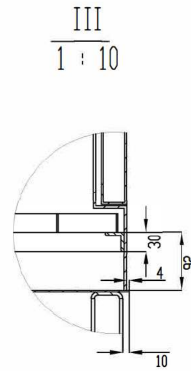
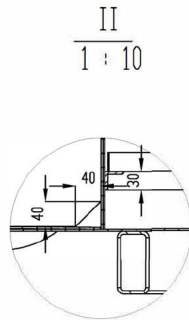
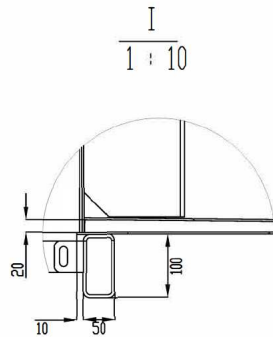
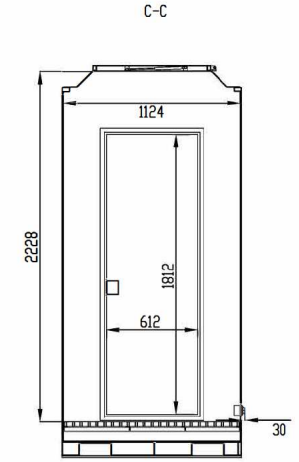
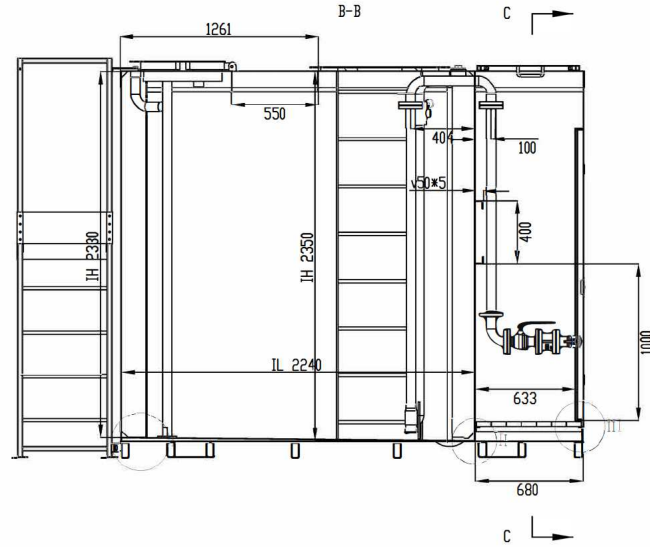
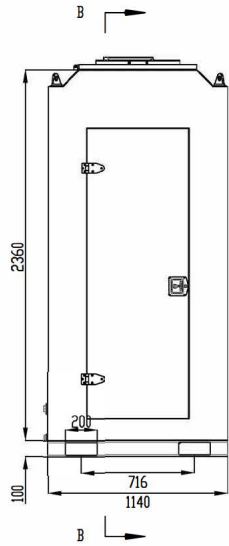


<p>CAUTIONS : ALL WORKERS & OPERATORS SHOULD WEAR PROTECTIVE EQUIPMENT AS REQUIRED TO BE AS SHOWN ON THE DRAWING.</p>				<p>TITLE : STORE SELF BUNDED TANK 5500L</p>	
<p>DESIGN : CHECKED : CHEN KAI VERIFIED : APPROVED :</p>		<p>SIGN : DATE : 2023.7.</p>		<p>MATERIAL : Q235B WEIGHT : 1,850 kgs</p>	
<p>REVISON : 01</p>		<p>DRG. NO. : STORE-5.5</p>		<p>SHEET : 1 TOTAL SHEET : 4 SCALE : NTS</p>	



TANK DATA	
CONTENT	Diesel
EXTERNAL SIZE	2950 x 1140 x 2520 mm
INTERNAL SIZE	2240 x 1072 x 2350 mm
GROSS VOLUME	5,500 litres
SAFEFILL LEVEL	5,000 litres

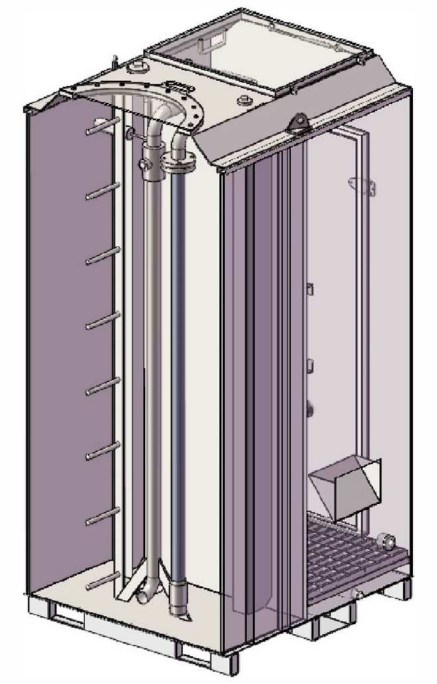
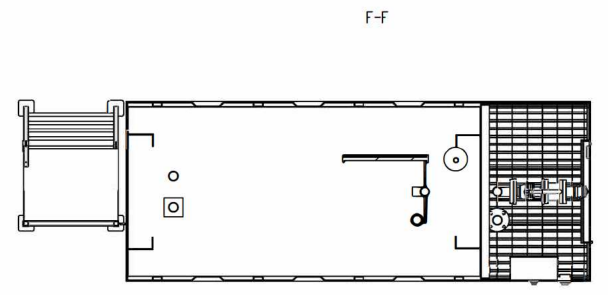
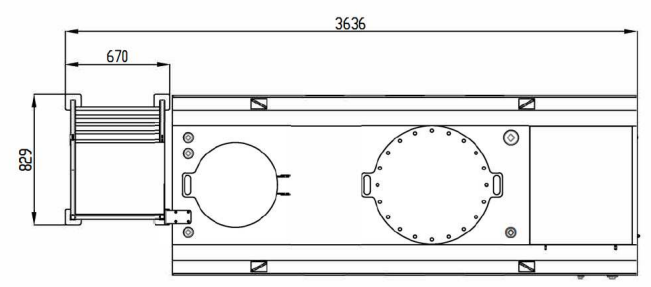
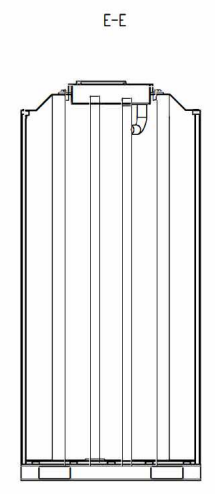
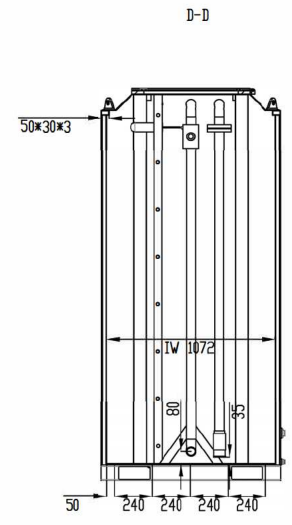
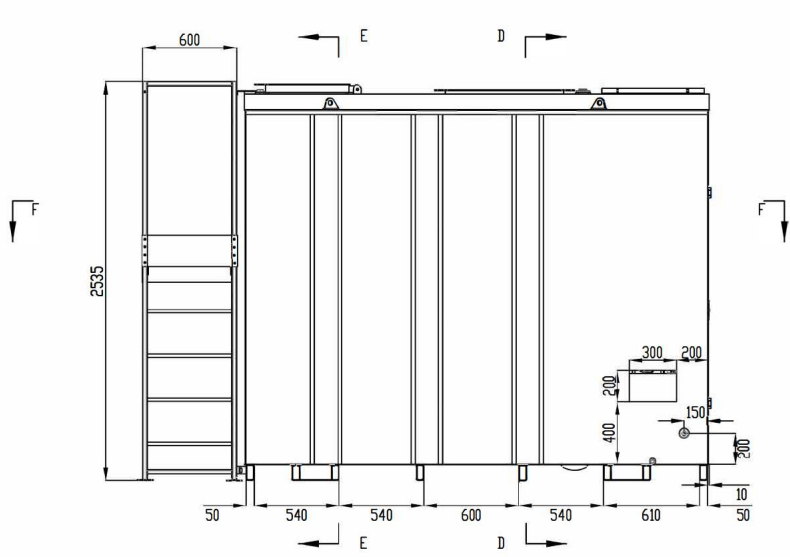
<small>NO DIMENSIONS IN ALL DIMENSIONS IN MM UNLESS STATED OTHERWISE. ALL DIMENSIONS TO BE AS FOLLOWS:</small>				<small>FILE NO.:</small> STORE SELF BUNDED TANK 5500L
DESIGN	SIGN	DATE	MATERIAL	WEIGHT
CHECKED	CHIEN KAI	2023.7.	Q235B	1,850 kgs
VERIFIED				
APPROVED			REVISION 01	<small>SHEET :</small> 2 <small>TOTAL SHEET :</small> 4 <small>SCALE :</small> NTS



DESIGN		SIGN	DATE	MATERIAL	WEIGHT	TITLE :	
CHECKED	CHEN KAI		2023.7.	Q2.358	1,850 kgs	STORE SELF BUNDED TANK 5500L	
VERIFIED						PART NO. :	
APPROVED				REVISION	01	STORE-5.5	
						DWG. NO.	
						SHEET : 3 TOTAL SHEET : 4 SCALE : NTS	



STANDARDS :
ALL DIMENSIONS IN MM
UNLESS SPECIFIED OTHERWISE.
ALL DIMENSIONS TO BE AS
FOLLOWING :
DIA
RADIUS
AND



DESIGN		CHKD	CHEN KAI	2023.7.	Q235B	1,850 kg	REVISION	01
CHECKED								
VERIFIED								
APPROVED								

<p>REVISIONS :</p> <p>ALL DIMENSIONS IN MM</p> <p>UNLESS SPECIFIED OTHERWISE</p> <p>ALL DIMENSIONS TO BE AS</p> <p>INDICATED</p> <p>DATE</p> <p>BY</p> <p>APP</p>			<p>TITLE :</p> <p>STORE SELF BUNDED TANK 5500L</p>	
<p>DATE</p> <p>DATE</p>			<p>PART NO :</p> <p>STORE-5.5</p>	
<p>DESIGN</p> <p>CHKD</p> <p>VERIFIED</p> <p>APPROVED</p>		<p>SIGN</p> <p>DATE</p>	<p>MATERIAL</p> <p>WEIGHT</p>	<p>DWG. NO.</p> <p>SHEET :</p> <p>4 TOTAL SHEET : 4 SCALE : NTS</p>