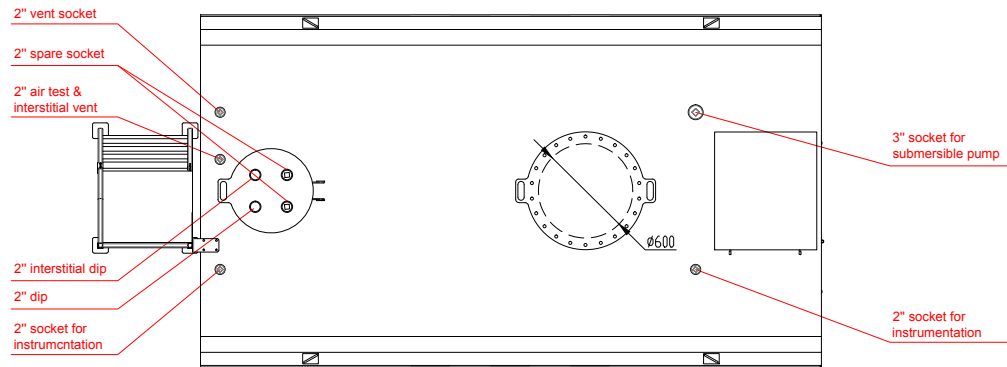
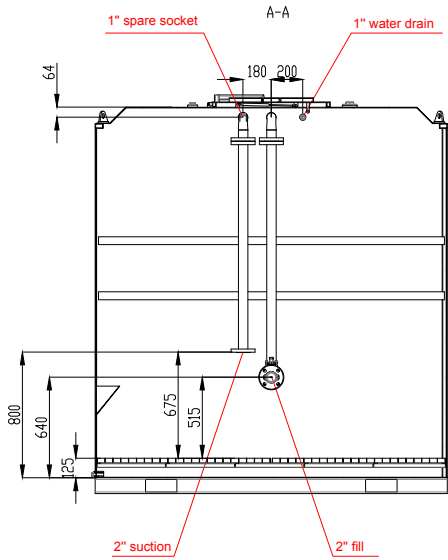
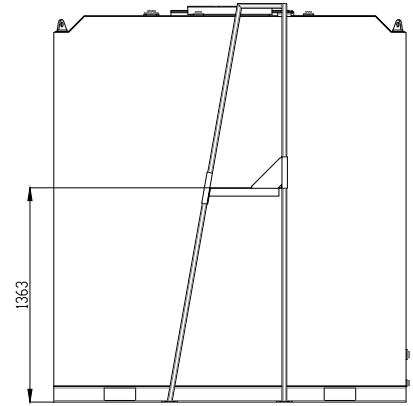
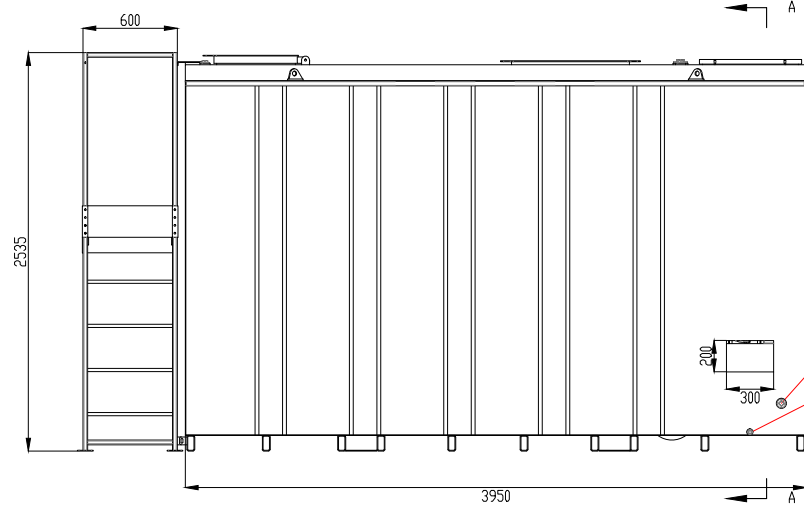
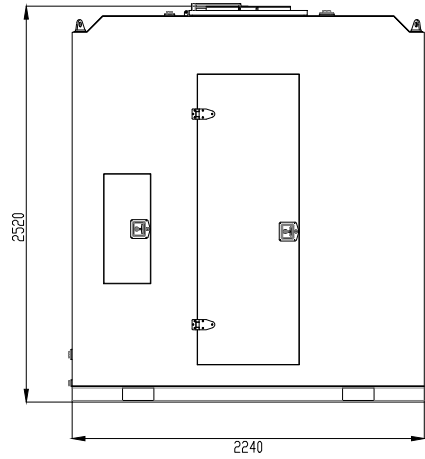
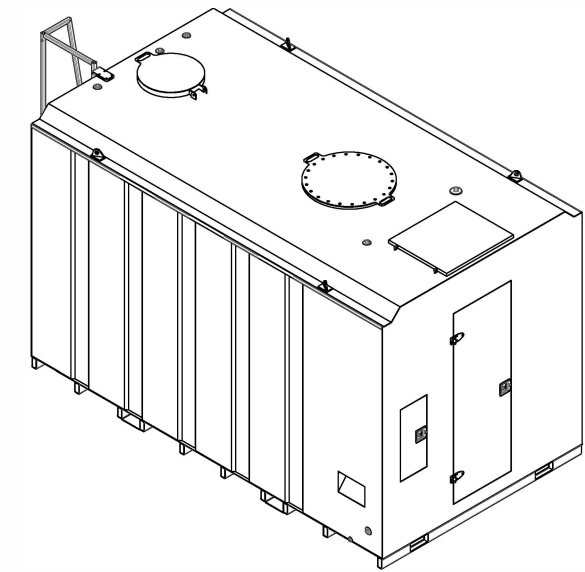
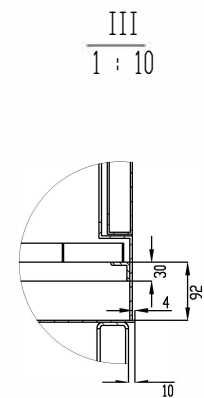
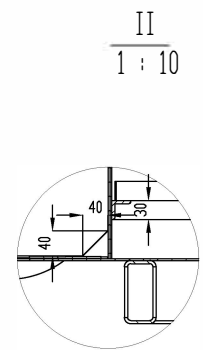
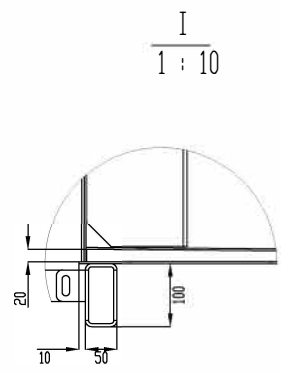
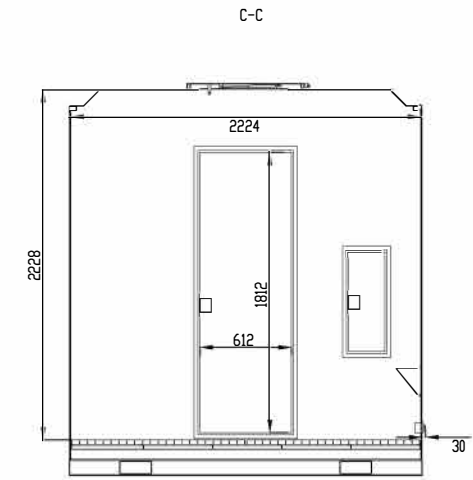
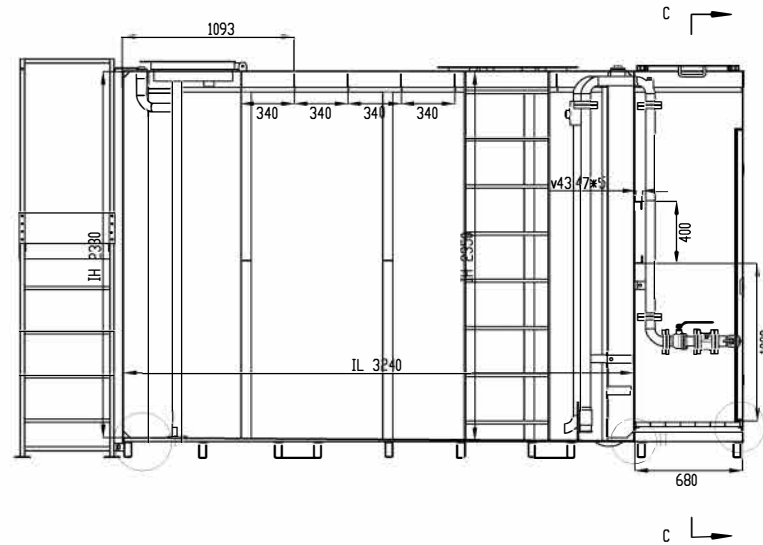
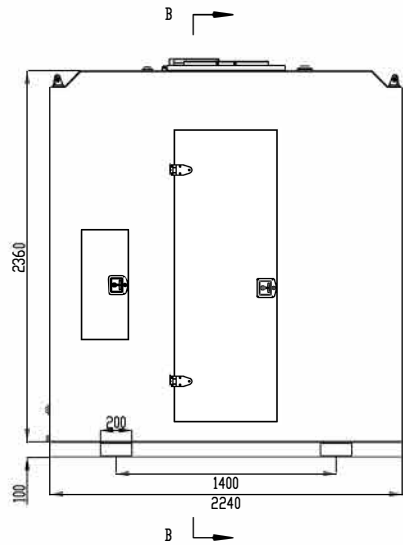


DESIGNER:		SIGNATURE:		DATE:		MATERIAL:		WEIGHT:		TITLE:	
CHECKED:		DATE:		MATERIAL:		WEIGHT:		TITLE:		STORE-16	
VERIFIED:		DATE:		MATERIAL:		WEIGHT:		TITLE:		STORE SELF BUNDED TANK	
APPROVED:		DATE:		MATERIAL:		WEIGHT:		TITLE:		16000L	
DESIGNER:		SIGNATURE:		DATE:		MATERIAL:		WEIGHT:		DWG. NO.	
CHECKED:		DATE:		MATERIAL:		WEIGHT:		TITLE:		1	
VERIFIED:		DATE:		MATERIAL:		WEIGHT:		TITLE:		TOTAL SHEET : 4	
APPROVED:		DATE:		MATERIAL:		WEIGHT:		TITLE:		SCALE : NTS	

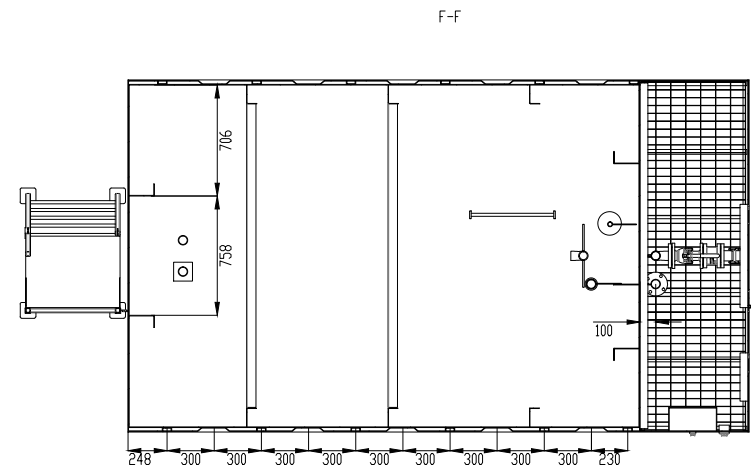
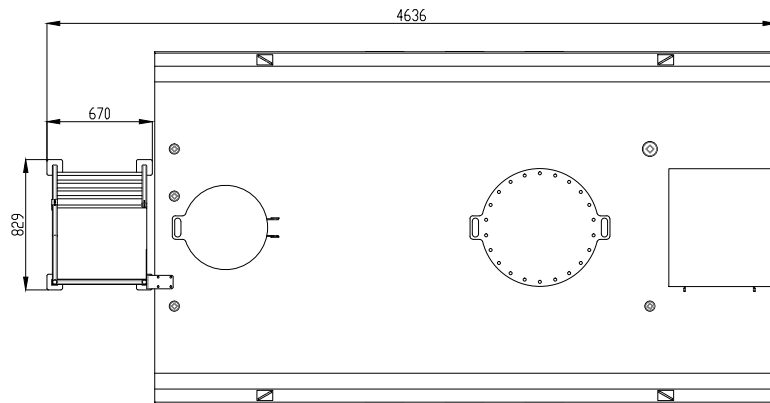
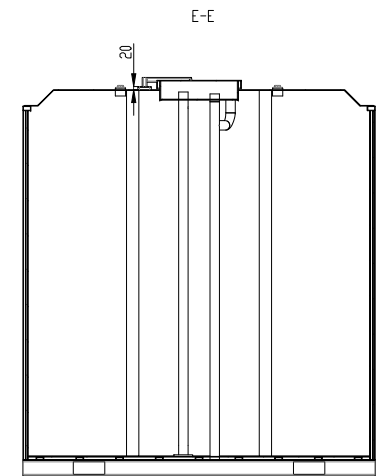
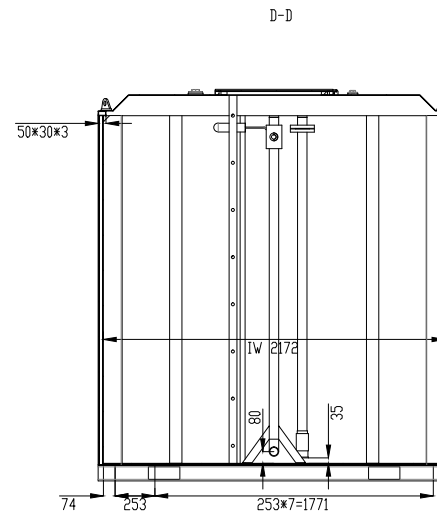
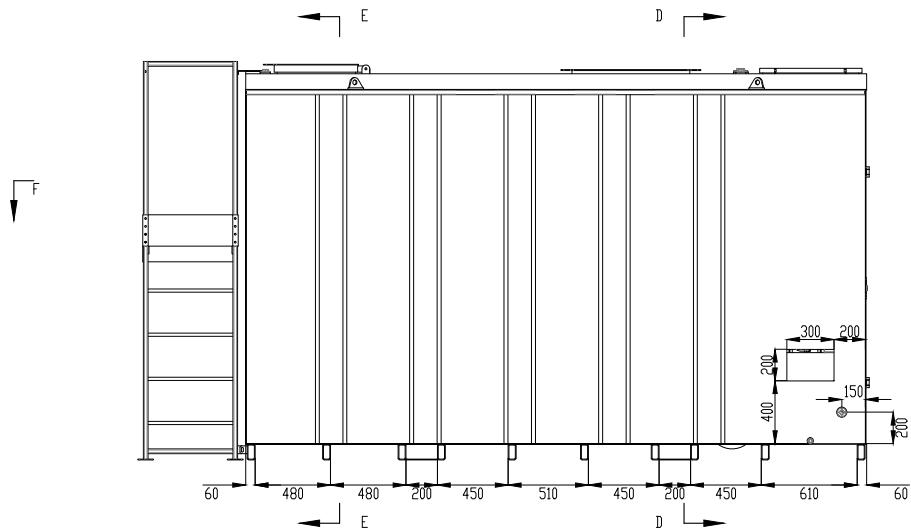


TANK DATA	
CONTENT	Diesel
EXTERNAL SIZE	3950 x 2240 x 2520 mm
INTERNAL SIZE	3240 x 2172 x 2350 mm
GROSS VOLUME	16,000 litres
SAFEFILL LEVEL	15,000 litres

<small>NOTES:</small> ALL DIMENSIONS IN MM UNLESS STATED OTHERWISE. ALL TOLERANCES TO BE AS FOLLOWS: 0 0.05 0.1 0.2 0.5 1.0				TITLE : STORE-16 PART NO : STORE SELF BUNDED TANK 16000L	
DESIGN	SIGN	DATE	MATERIAL	WEIGHT	DWG. NO.
CHECKED	CHEN KA	2023.7.	02.35B	3,550 kgs	
VERIFIED					
APPROVED			REVISION	01	SHEET : 2 TOTAL SHEET : 4 SCALE : NTS



<small>REMARKS: ALL DIMENSIONS IN MM UNLESS SPECIFIED OTHERWISE. ALL DIMENSIONS TO BE AS SHOWN UNLESS OTHERWISE NOTED.</small>				STORE-16 STORE SELF BUNDED TANK 16000L	
DESIGN	SIGN	DATE	MATERIAL	WEIGHT	DWG. NO.
CHECKED	CHEN KAI	2023.7.	Q235B	3,550 kgs	16000L
VERIFIED					
APPROVED			REVISION	01	SHEET : 3 TOTAL SHEET : 4 SCALE : NTS



DESIGN		SIGN	DATE	MATERIAL	WEIGHT	TITLE	
CHECKED	CHEN KAI		2023.7.	0235B	3,550 kgs	STORE-16	
VERIFIED						PART NO: STORE SELF BUNDED TANK	
APPROVED						16000L	
				REVISION	01	SHEET :	4 TOTAL SHEET : 4 SCALE : NTS

