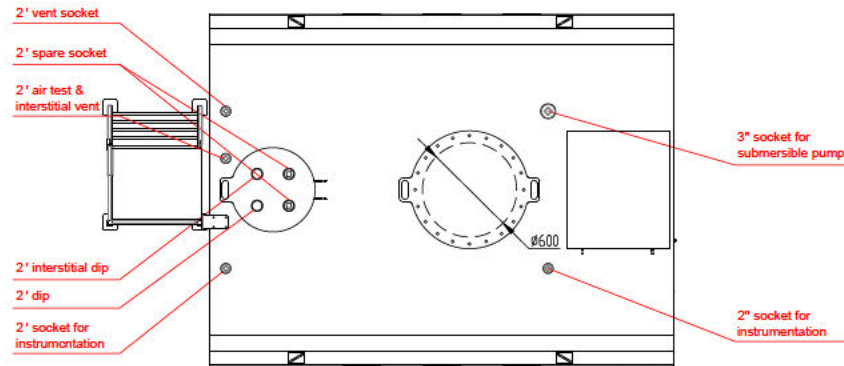
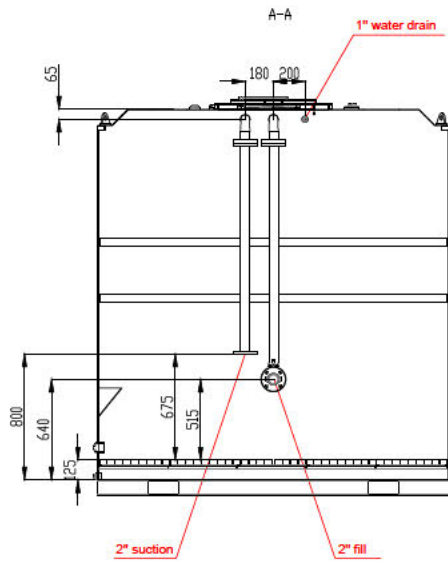
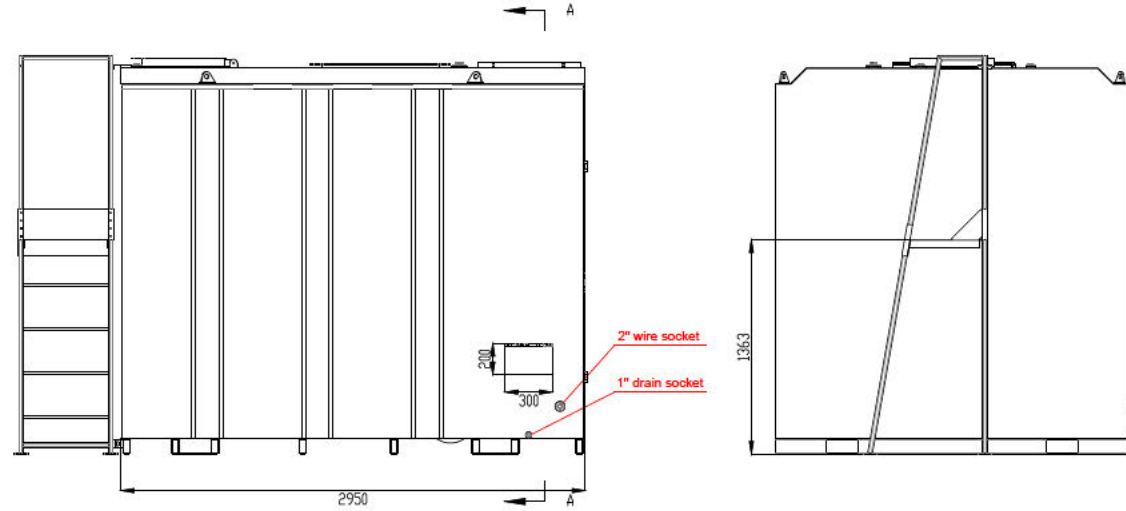
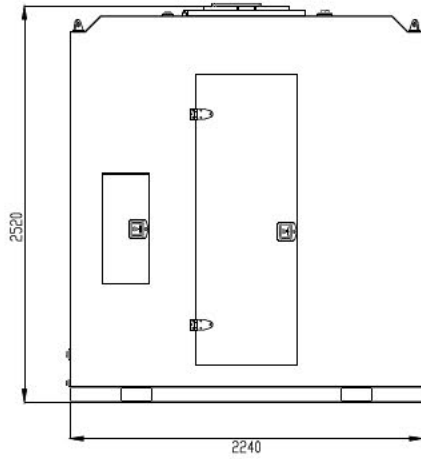
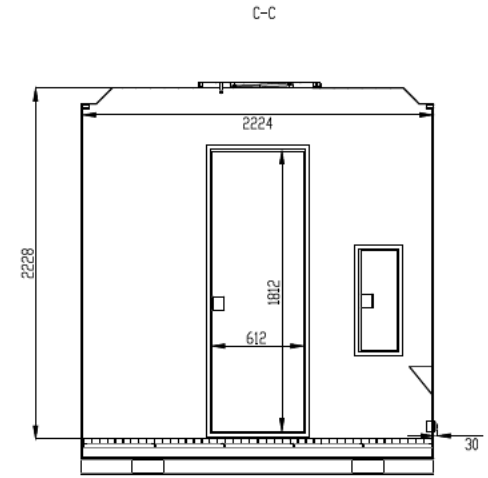
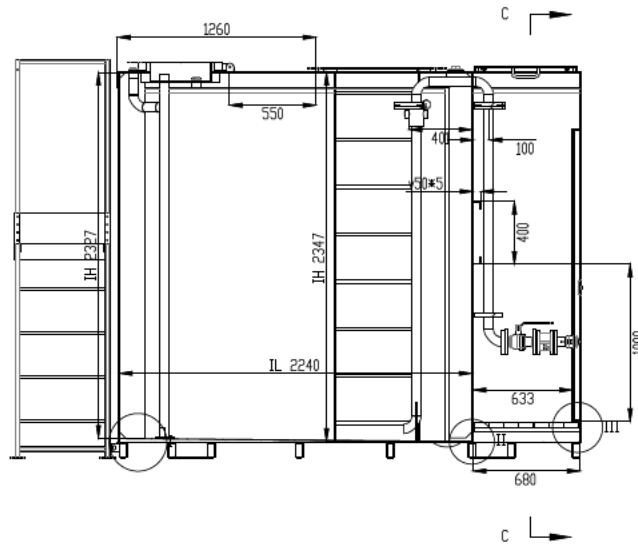
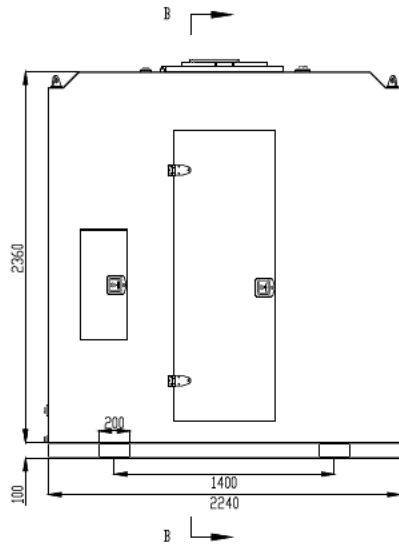


REMARKS: ALL DIMENSIONS IN MM UNLESS STATED OTHERWISE. ALL TOLERANCES TO BE AS FOLLOWS: ±0.1 ±0.05 ±0.02				TITLE: STORE SELF BUNDED TANK 11000L	
DESIGN: CHECKED: CHEN KAI VERIFIED: APPROVED:		SKIN: DATE: 2019.8.25		PART NO: STORE-11	
		MATERIAL: 0235B		WEIGHT: 3,075 kgs	
				DWG. NO.: SHEET: 1 TOTAL SHEET: 4 SCALE: NYS	

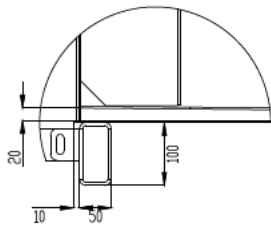


TANK DATA	
CONTENT	Diesel
EXTERNAL SIZE	2950 x 2240 x 2520 mm
INTERNAL SIZE	2240 x 2172 x 2347 mm
GROSS VOLUME	11,000 litres
SAFEFILL LEVEL	10,000 litres

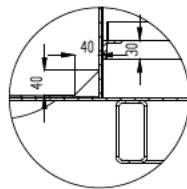
<small>REMARKS:</small> ALL DIMENSIONS IN MM UNLESS STATED OTHERWISE. ALL TOLERANCES TO BE AS FOLLOWS: ± 0.5 ± 0.3 ± 0.2						<small>TITLE:</small> STORE SELF BUNDED TANK 11000L <small>PART NO.:</small> STORE-11	
<small>DESIGN</small>	<small>SKN</small>	<small>DATE</small>	<small>MATERIAL</small>	<small>WEIGHT</small>	<small>DWG. NO.</small>	<small>SHEET</small>	<small>TOTAL SHEET</small>
CHEKED	CHEN KAI	2019.8.25	Q235B	3,075 kgs		2	4
VERIFIED							
APPROVED			REVISION	01			SCALE: NTS



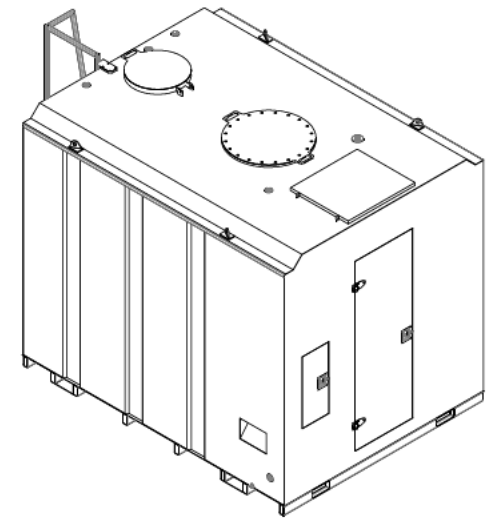
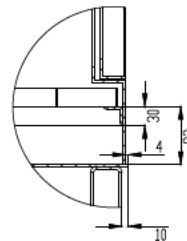
I
1 : 10



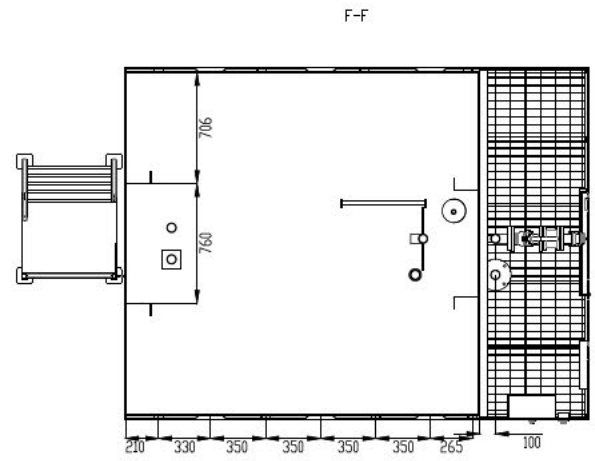
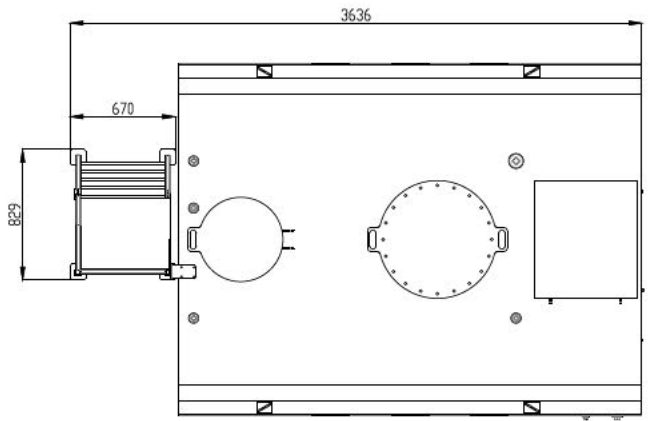
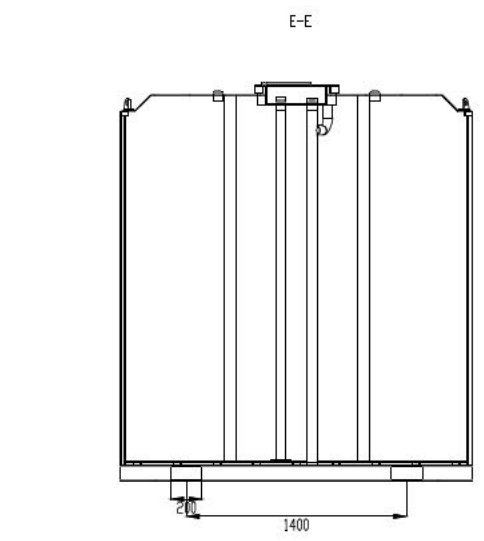
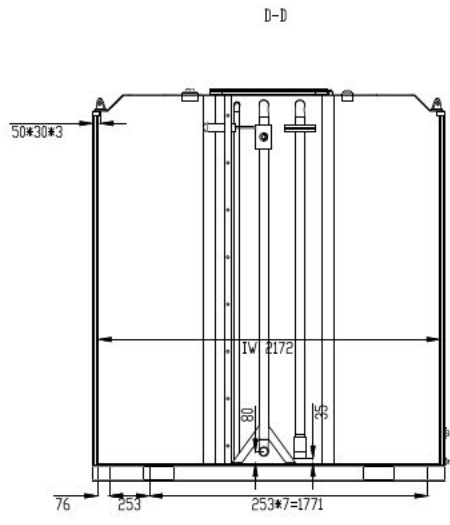
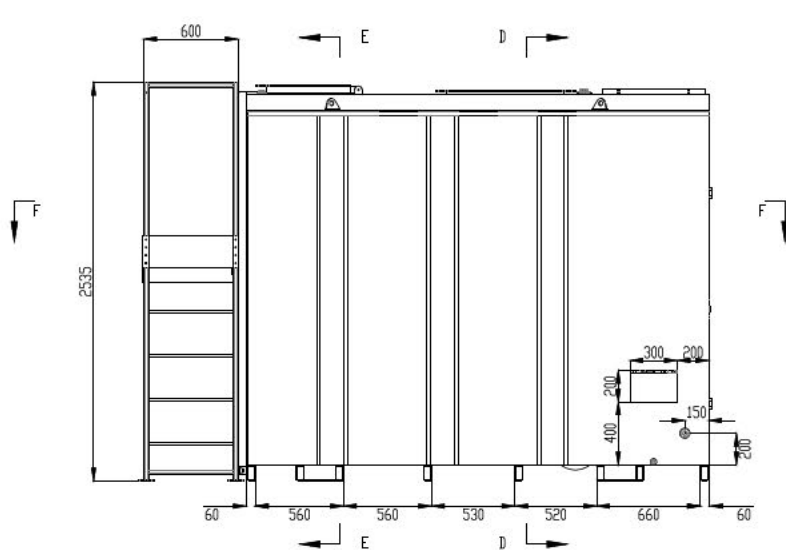
II
1 : 10



III
1 : 10



TOLERANCES : ALL DIMENSIONS IN MM UNLESS STATED OTHERWISE. ALL TOLERANCES TO BE AS FOLLOWS : TO : DIM : MIN : MAX :						TITLE : STORE SELF BUNDED TANK 11000L	
DESIGN : CHECKED : CHEN KAI VERIFIED : APPROVED :				SKIN : DATE : 2019.8.25	MATERIAL : Q235B	WEIGHT : 3,075 kgs	PART NO : STORE-11
					DWG. NO. : SHEET : 3 TOTAL SHEET : 4 SCALE : NTS		



REMARKS: ALL DIMENSIONS IN MM UNLESS STATED OTHERWISE. ALL TOLERANCES TO BE AS FOLLOWS: ±0.1 ±0.2 ±0.3 ±0.5		 REFUELLING SOLUTIONS		TITLE: STORE SELF BUNDED TANK 11000L	
PART NO: STORE-11		MATERIAL: 0235B		WEIGHT: 3,075 kgs	
DESIGN	SKIN	DATE	MATERIAL	WEIGHT	DWG. NO.
CHECKED	CHEN KAI	2019.8.25	0235B	3,075 kgs	
VERIFIED					
APPROVED					
SHEET : 4			TOTAL SHEET : 4		SCALE : NTS