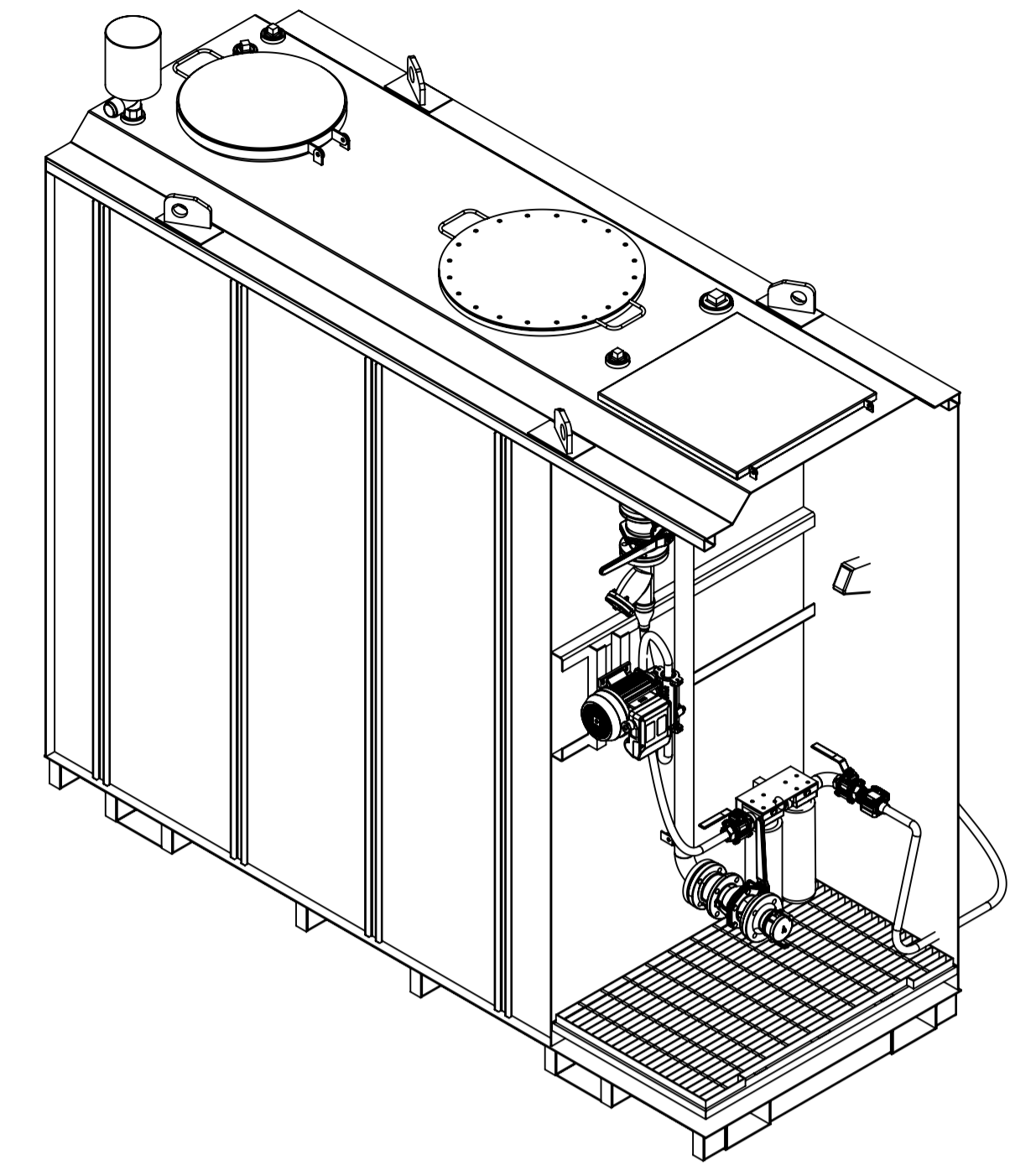
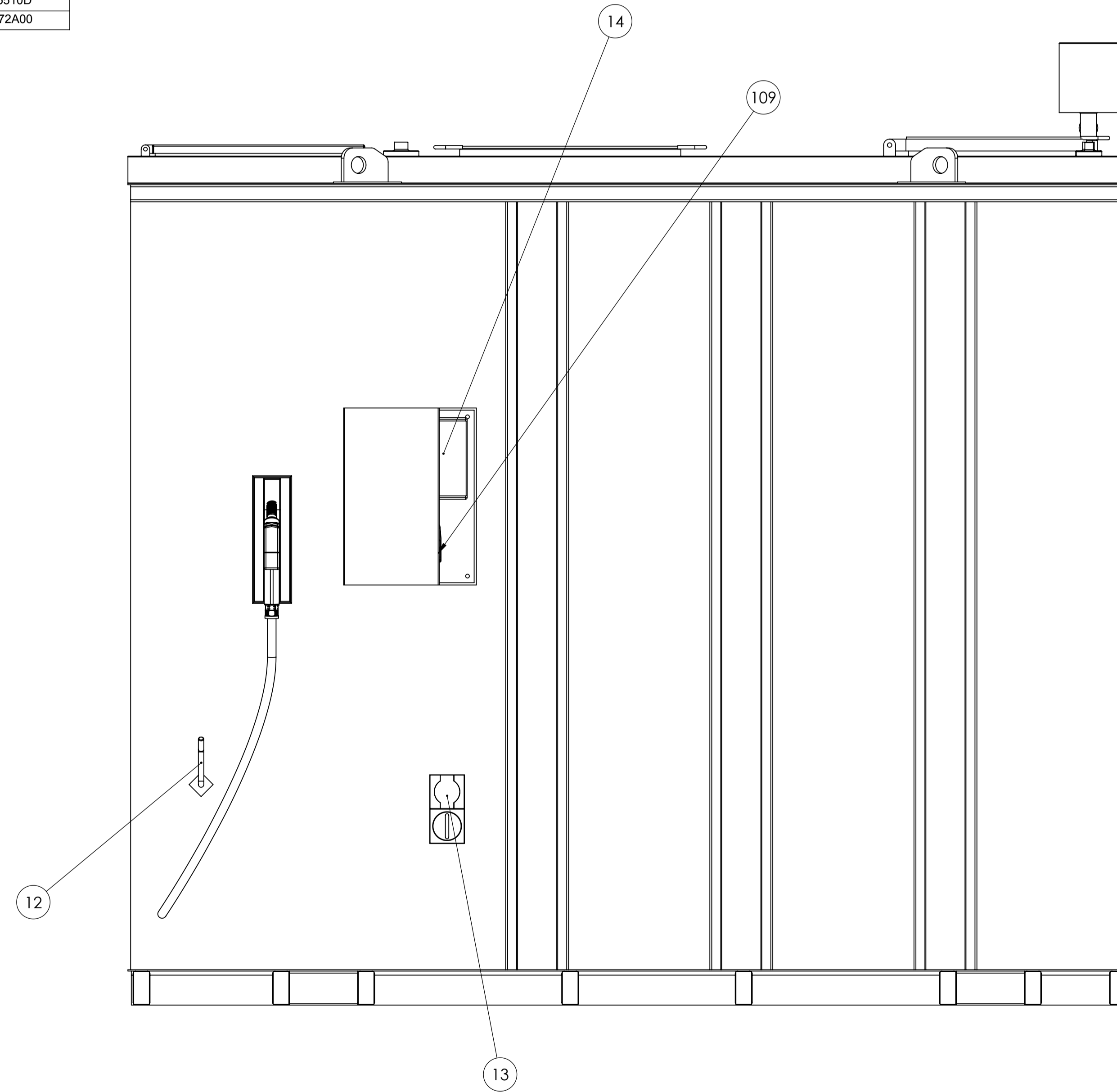
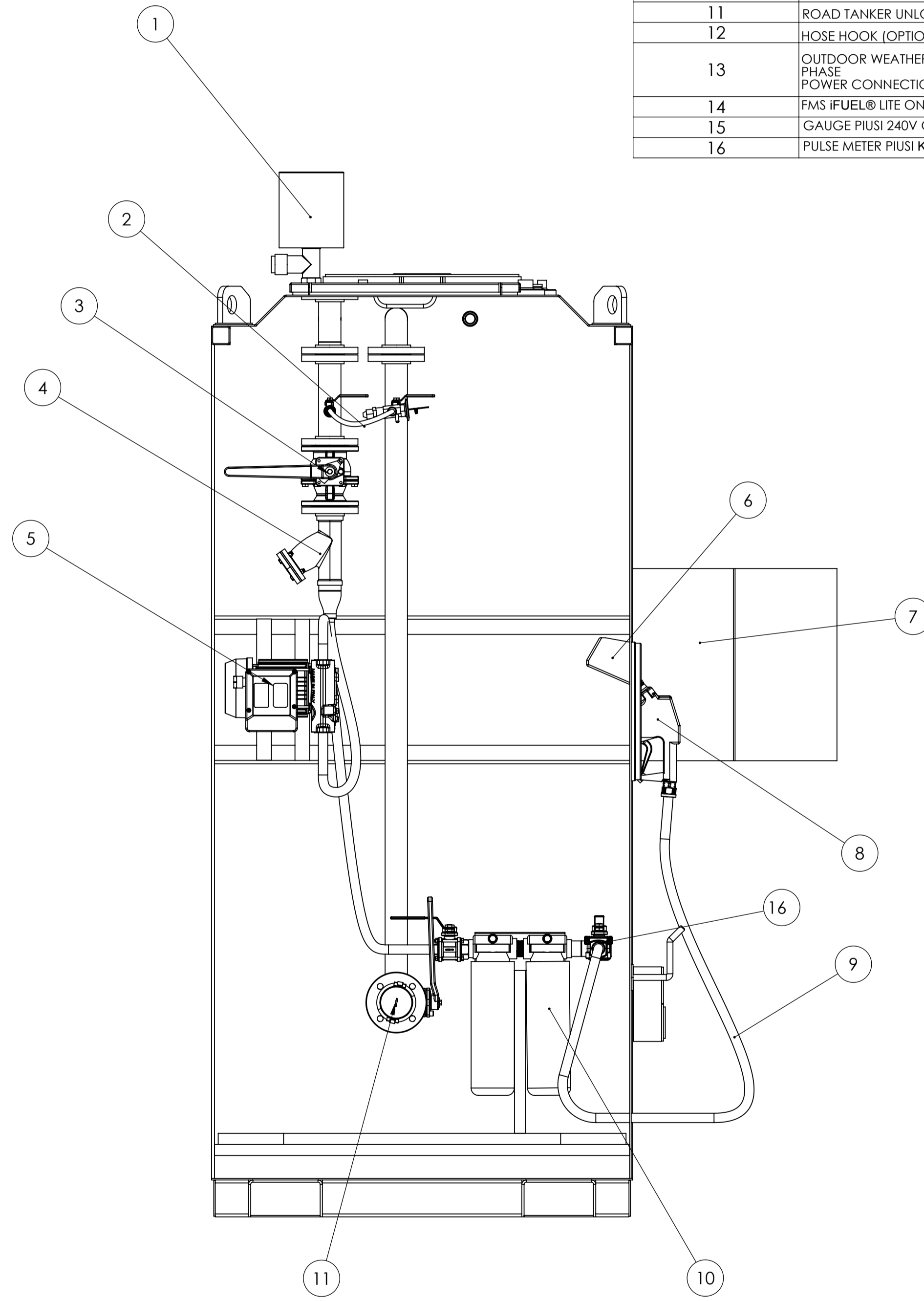
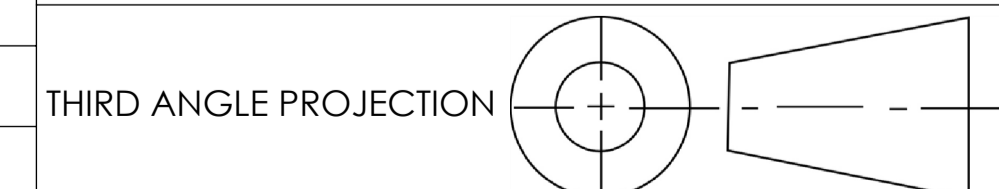


ITEM NO.	ITEM DESCRIPTION
1	FILTER DONALDSON TANK BREATHER TRAP DFF0078
2	THERMAL RELIEF LINE
3	2" FIRE SAFE BALL VALVE
4	Y STRAINER - SS DN50
5	PUMP E120 240V AC PIUSI 000326000
6	POLY NOZZLE BOOT NOZZLE HOLSTER
7	WEATHERPROOF BOX
8	NOZZLE DIESEL AUTOMATIC SHUT OFF PIUSI F00610020
9	1 X 6m X 25mm Alfagomma HOSE WITH MALE BSPT FITTINGS EACH END
10	FILTER DONALDSON CLEAN AND DRY DIESEL FILTRATION P506073
11	ROAD TANKER UNLOADING
12	HOSE HOOK (OPTIONAL)
13	OUTDOOR WEATHERPROOF SINGLE PHASE POWER CONNECTION POINT
14	FMS IFUEL® LITE ONLINE
15	GAUGE PIUSI 240V OCIO F0075510D
16	PULSE METER PIUSI K600/3 F00472A00



**FUEL**  
REFUELLING SOLUTIONS

REV.	DATE	REVISION DESCRIPTION	DES. CHK.	APPROVED	REV.	DATE	REVISION DESCRIPTION	DES. CHK.	APPROVED	REFERENCE DRAWING No.	REFERENCE DRAWINGS	PRODUCED BY	DESIGNED BY	DRAWN BY	CEA STORE-5500 fitted with Donaldson DFF0078 Tank Breather / Piusi E120 Pump 000326000 / Donaldson Clean and Dry Filter Kit P506073 / Piusi K600/3 Pulse Meter / IFUEL® Lite Online FMS and Piusi OCIO ATG	
														JL		
												PROJECT NO	CHECK DESIGN	CHECK DRAWING		
												CONTRACT NO	LEAD ENGINEER	APPROVAL DATE		
												PIE44148	Jason L	22/11/18		
												DRAWING SIZE	AREA PROJECT ENGINEER	ENGINEERING MANAGER		
												A3				
												PLOT SCALE	PROJECT MANAGER	APPROVAL DATE		
												--				
												CAD FILE NAME	CLIENT	APPROVAL DATE		
												PIE44148-GOIND-PS5.5	GO IND			
															SCALE	DRAWING NUMBER
																PIE44148-GOIND-PS5.5
																REV.
																A



All dimensions are in mm unless specified otherwise  
 Drawn to AS1100.101-1992  
 MATERIAL:  
 WEIGHT: kg  
 PAGE: 1 OF 1