

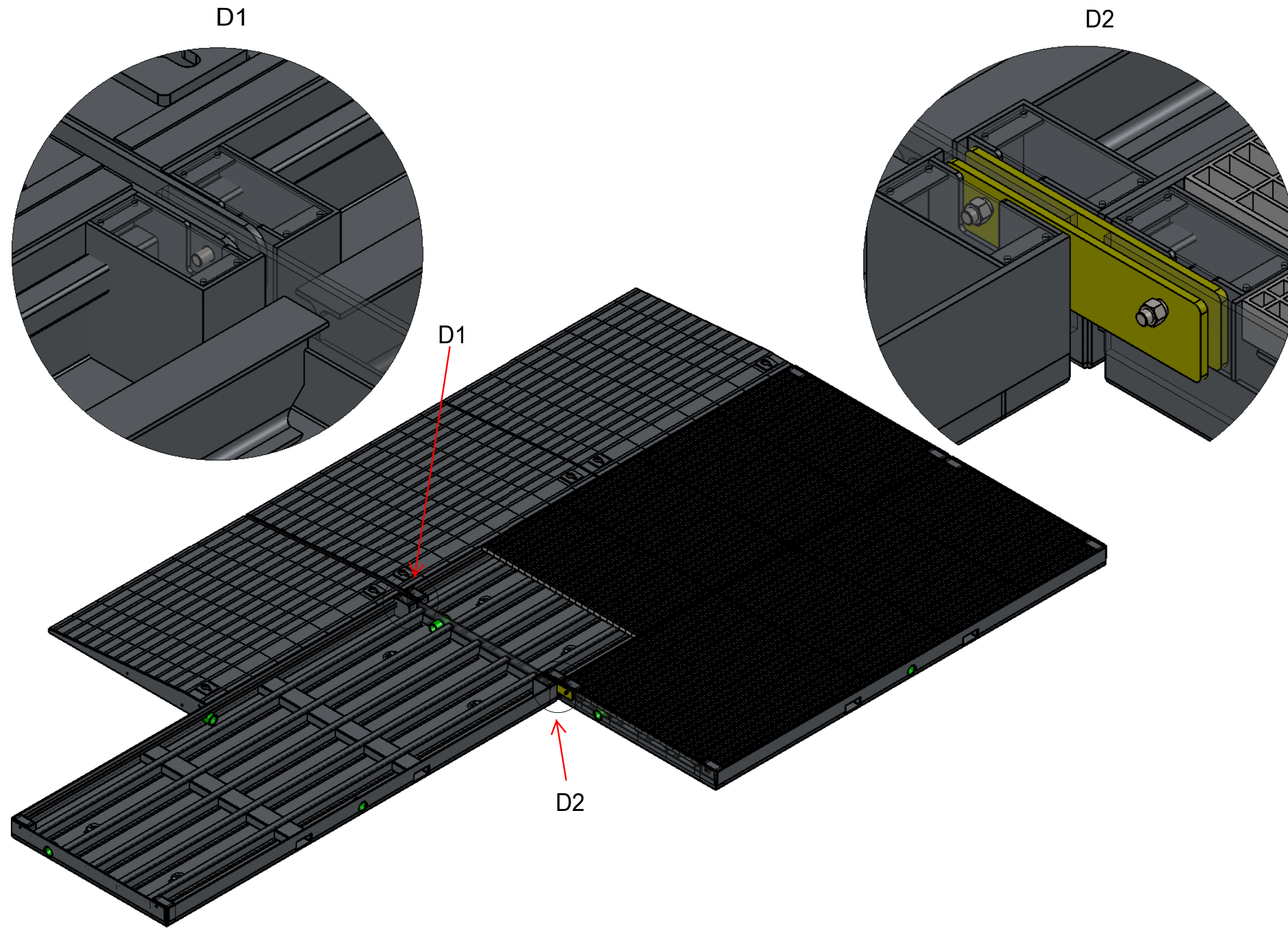
V.1.0	25/03/14	GA Drawings for Review & Approval	SY	AH	
REV:	DATE:	REVISION:	DRAWN:	CHECKED:	APPROVED:



DRAWN: SY	DATE: 25/03/14	TITLE: iFUEL SCU Mining Typical Layout 20m x 10m Spill Pad	
CHECKED: AH	DATE: 25/03/14	DRAWING NO:	REV: v.1.0
APPROVED:	DATE:		SHEET: 1 of 9
CONFIGURED:	DATE:	PROJECT NO:	SCALE: Do Not Scale

A3





Connecting of Spill Units

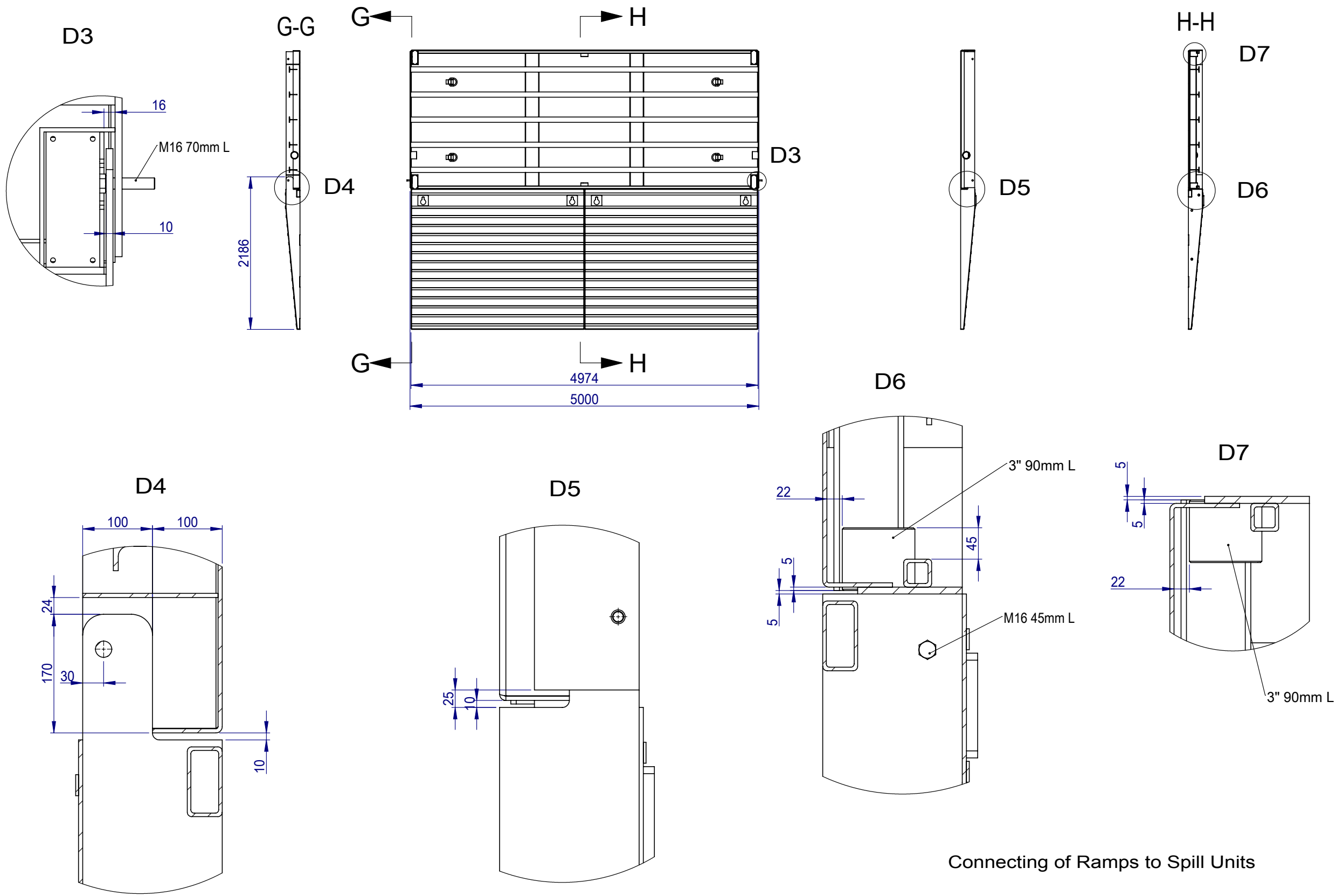
V.1.0	25/03/14	GA Drawings for Review & Approval	SY	AH	
REV:	DATE:	REVISION:	DRAWN:	CHECKED:	APPROVED:



DRAWN: SY	DATE: 25/03/14	TITLE: iFUEL SCU Mining Typical Layout 20m x 10m Spill Pad		
CHECKED: AH	DATE: 25/03/14	DRAWING NO:		REV: v.1.0
APPROVED:	DATE:			SHEET: 2 of 9
CONFIGURED:	DATE:	PROJECT NO:		SCALE: Do Not Scale

A3



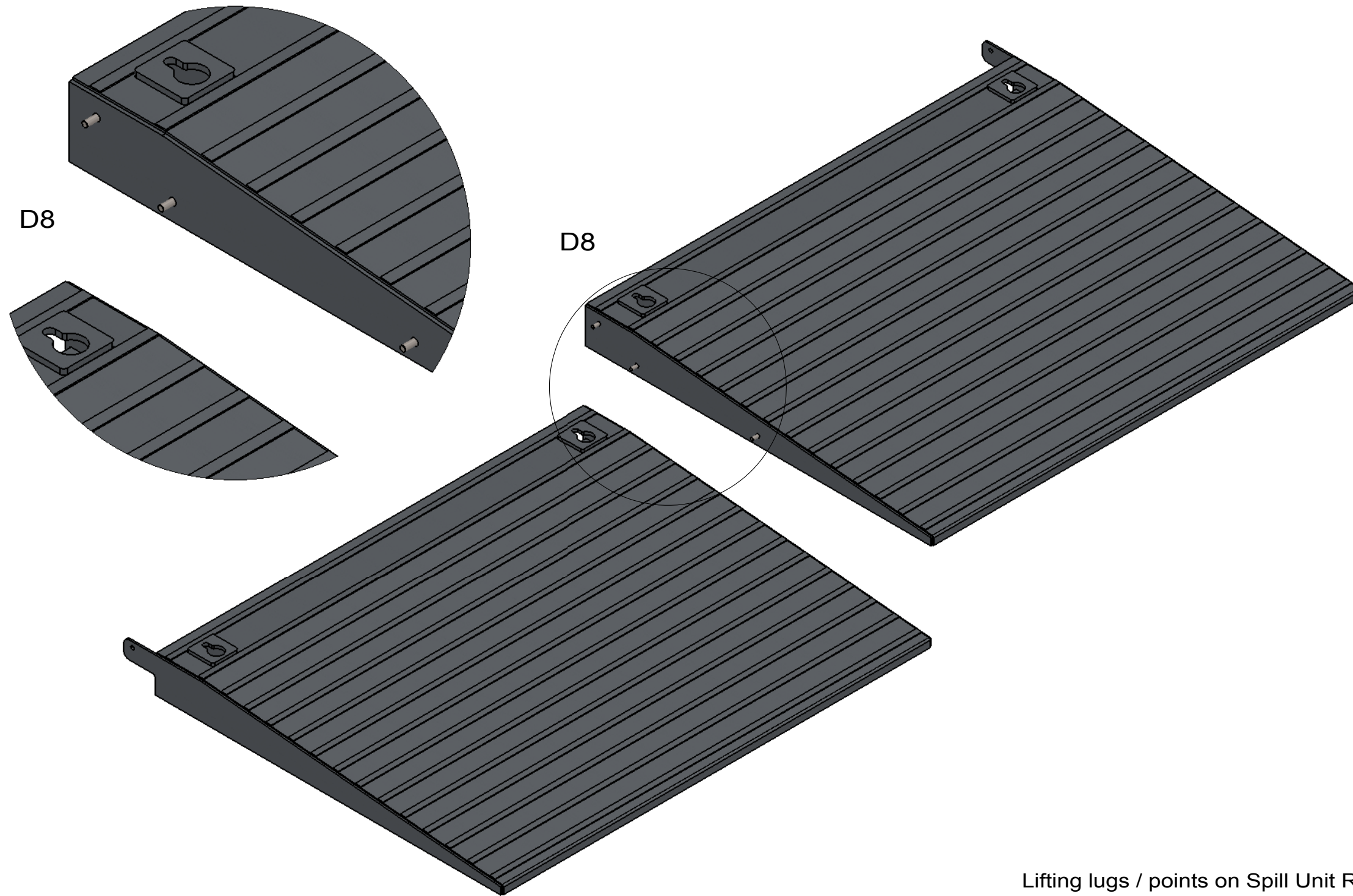


Connecting of Ramps to Spill Units

V.1.0	25/03/14	GA Drawings for Review & Approval	SY	AH	
REV:	DATE:	REVISION:	DRAWN:	CHECKED:	APPROVED:



DRAWN: SY	DATE: 25/03/14	TITLE: iFUEL SCU Mining Typical Layout 20m x 10m Spill Pad	
CHECKED: AH	DATE: 25/03/14	DRAWING NO:	REV: v.1.0
APPROVED:	DATE:	PROJECT NO:	SHEET: 3 of 9
CONFIGURED:	DATE:		SCALE: Do Not Scale
			A3

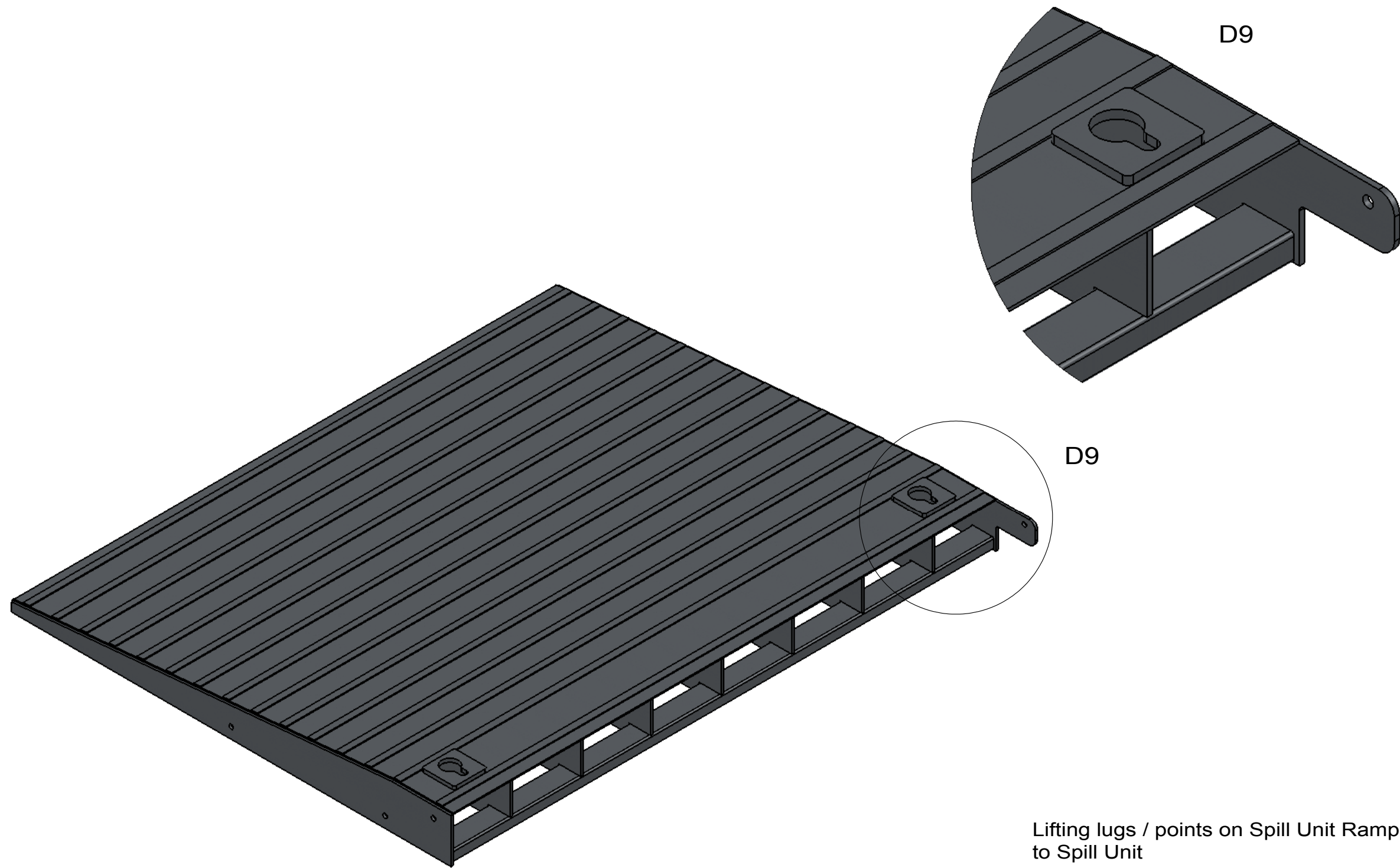


Lifting lugs / points on Spill Unit Ramps

V.1.0	25/03/14	GA Drawings for Review & Approval	SY	AH	
REV:	DATE:	REVISION:	DRAWN:	CHECKED:	APPROVED:



DRAWN: SY	DATE: 25/03/14	TITLE: iFUEL SCU Mining Typical Layout 20m x 10m Spill Pad	
CHECKED: AH	DATE: 25/03/14	DRAWING NO:	
APPROVED:	DATE:	PROJECT NO:	REV: v.1.0
CONFIGURED:	DATE:		SHEET: 4 of 9
			SCALE: Do Not Scale
			A3

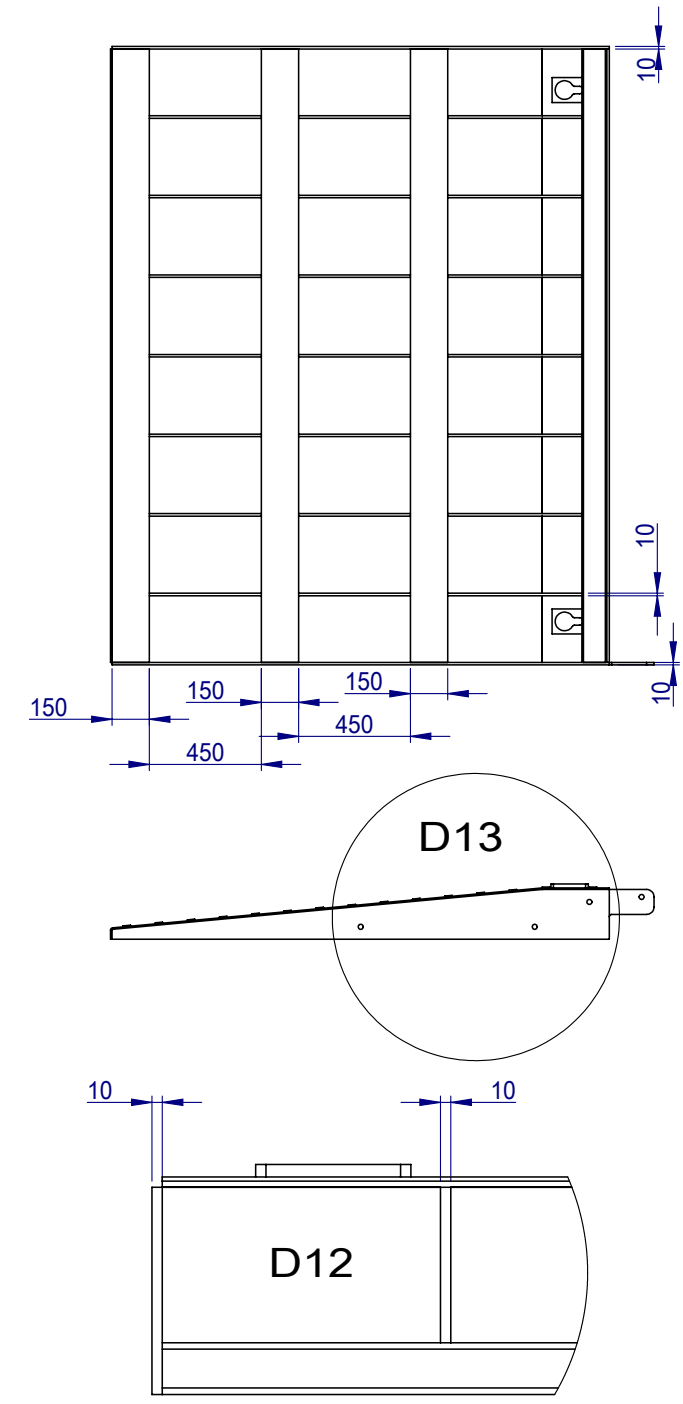
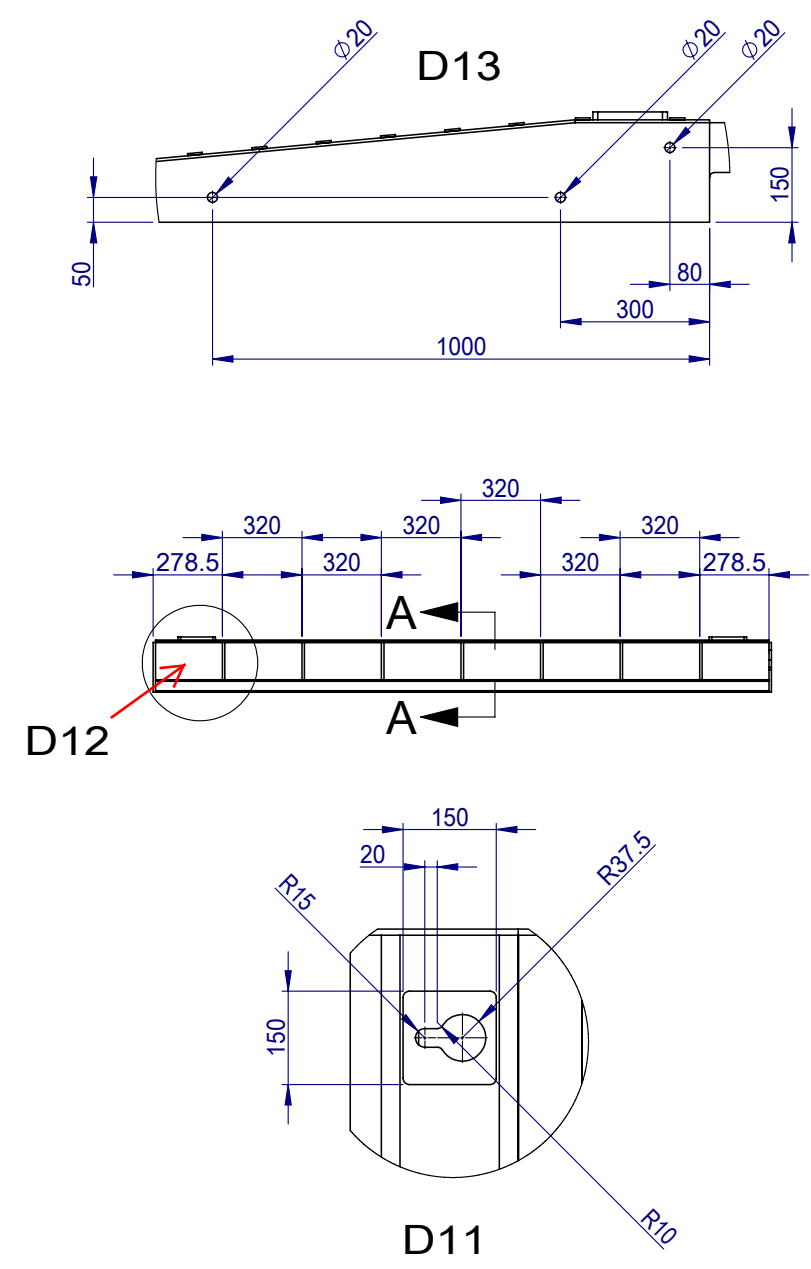
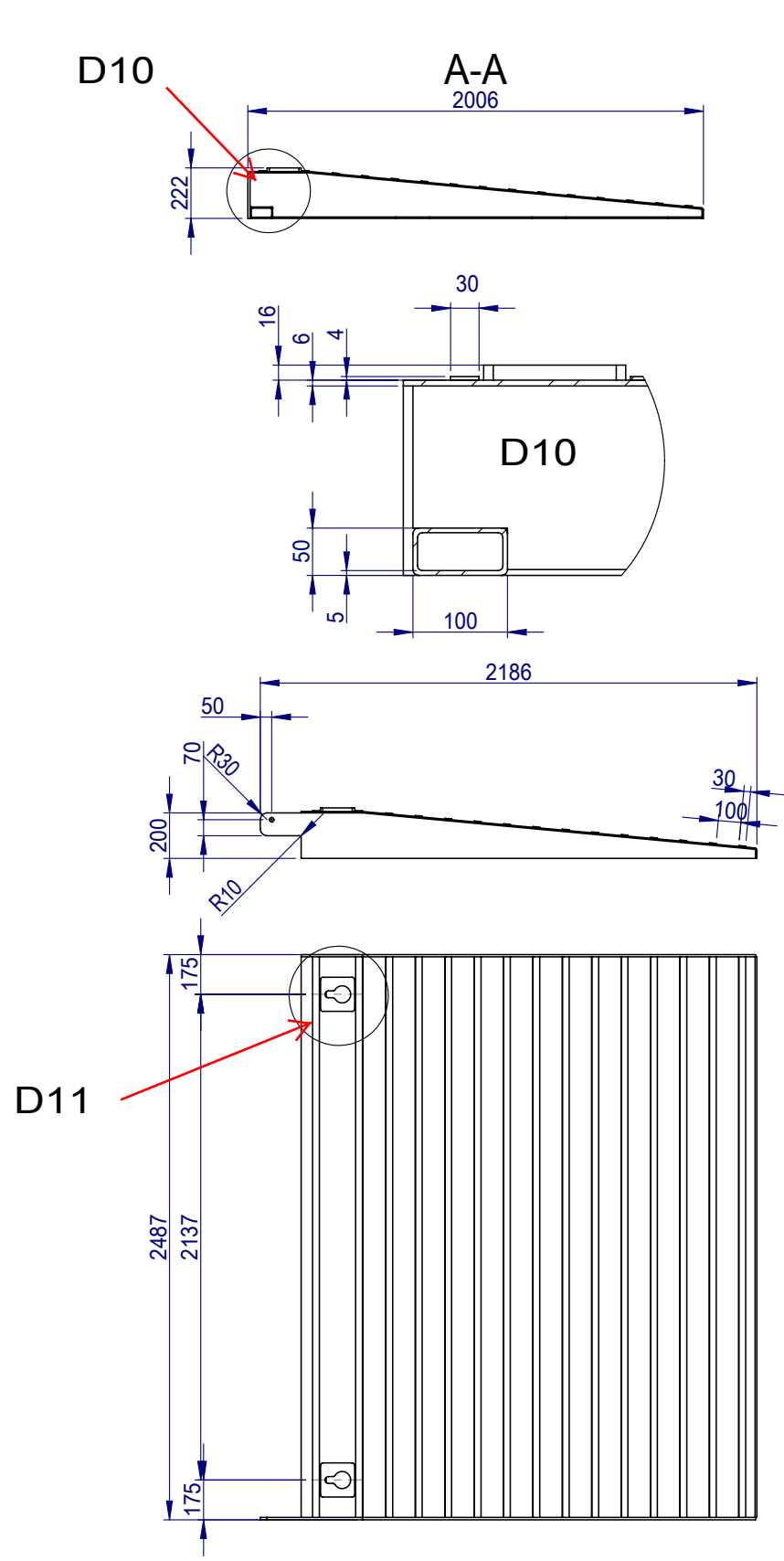


Lifting lugs / points on Spill Unit Ramps & connector plate to Spill Unit

V.1.0	25/03/14	GA Drawings for Review & Approval	SY	AH	
REV:	DATE:	REVISION:	DRAWN:	CHECKED:	APPROVED:



DRAWN: SY	DATE: 25/03/14	TITLE: iFUEL SCU Mining Typical Layout 20m x 10m Spill Pad	
CHECKED: AH	DATE: 25/03/14	DRAWING NO:	
APPROVED:	DATE:	PROJECT NO:	REV: v.1.0
CONFIGURED:	DATE:		SHEET: 5 of 9
			SCALE: Do Not Scale
			A3

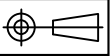


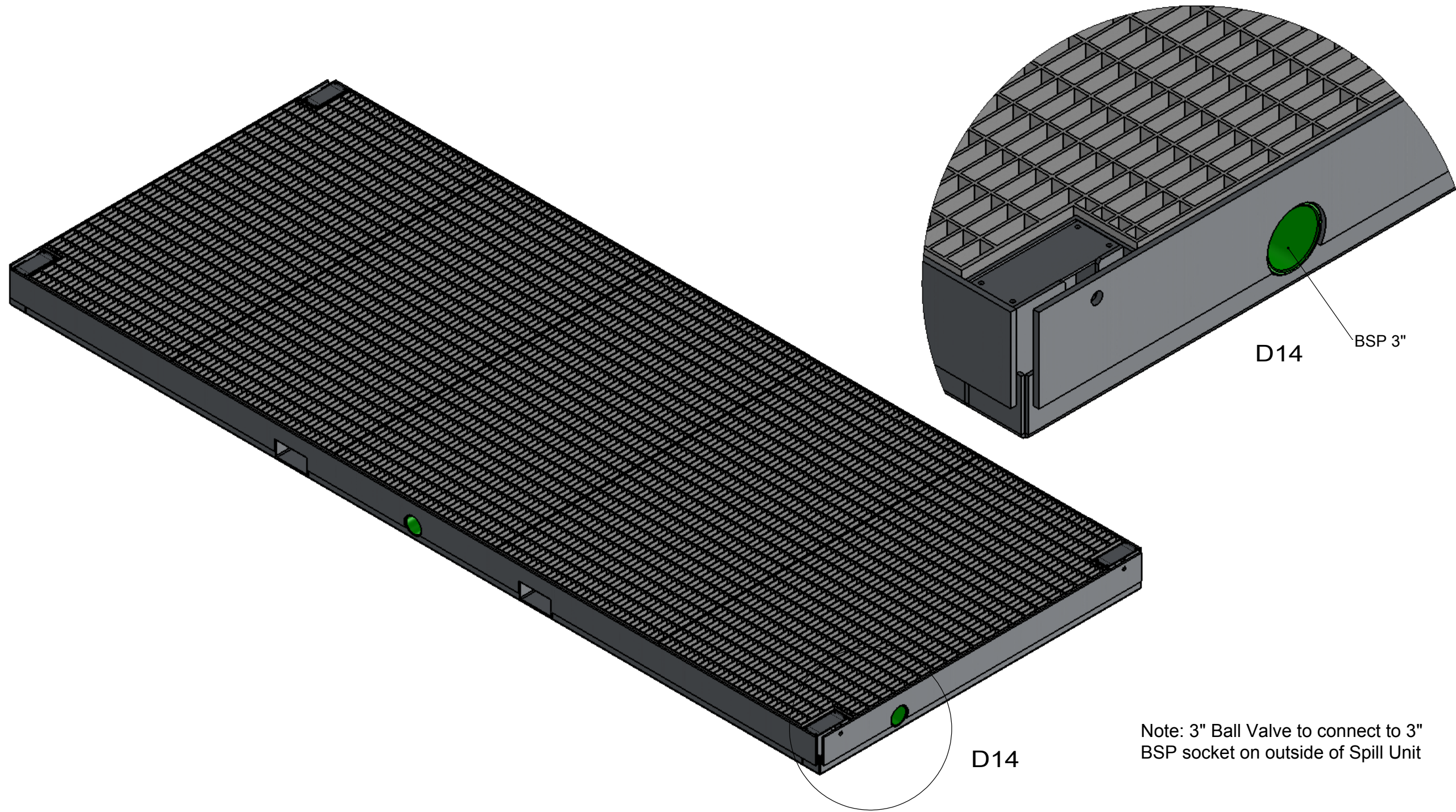
V.1.0	25/03/14	GA Drawings for Review & Approval	SY	AH	
REV:	DATE:	REVISION:	DRAWN:	CHECKED:	APPROVED:



DRAWN: SY	DATE: 25/03/14	TITLE: iFUEL SCU Mining Typical Layout 20m x 10m Spill Pad	
CHECKED: AH	DATE: 25/03/14	DRAWING NO:	REV: v.1.0
APPROVED:	DATE:	PROJECT NO:	SHEET: 6 of 9
CONFIGURED:	DATE:		SCALE: Do Not Scale

A3





Note: 3" Ball Valve to connect to 3" BSP socket on outside of Spill Unit

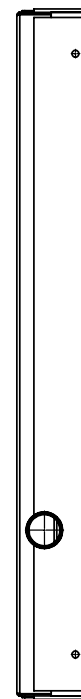
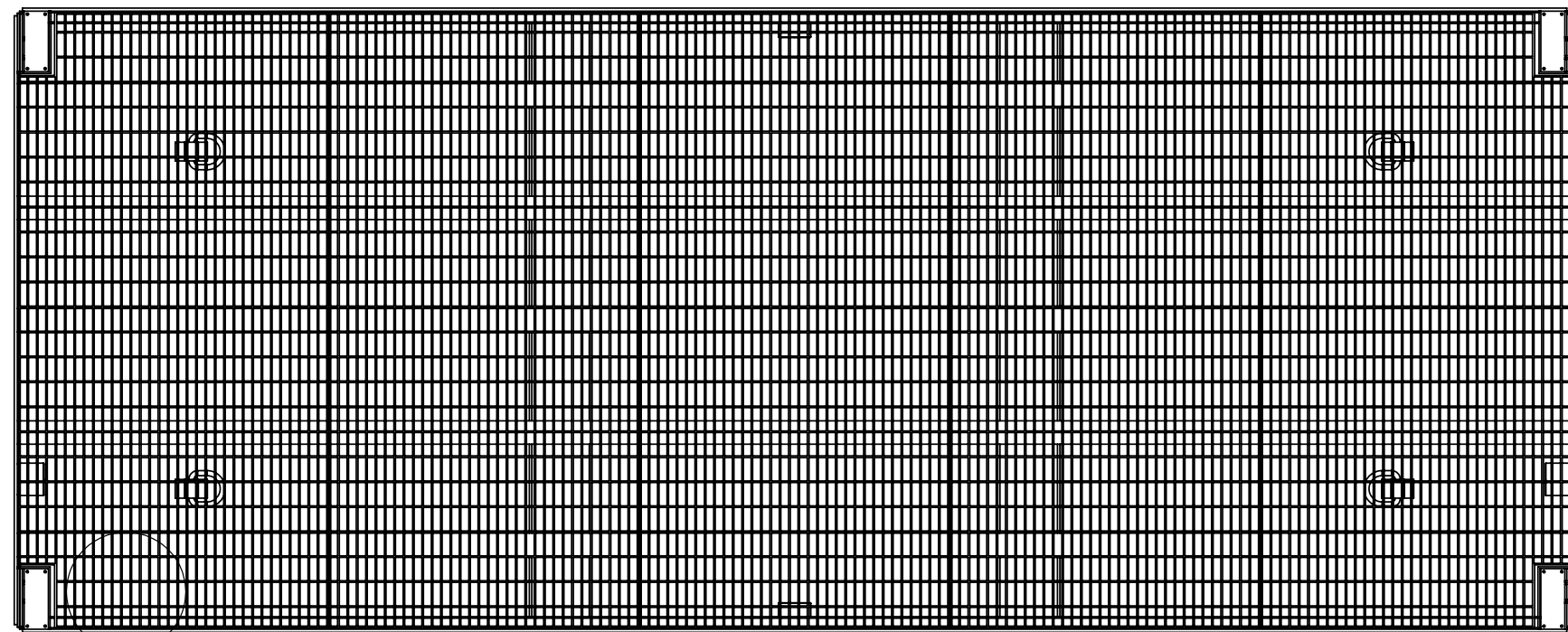
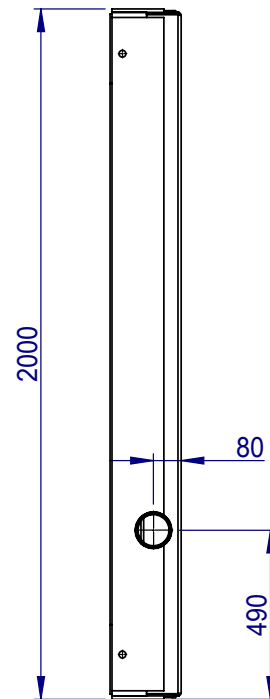
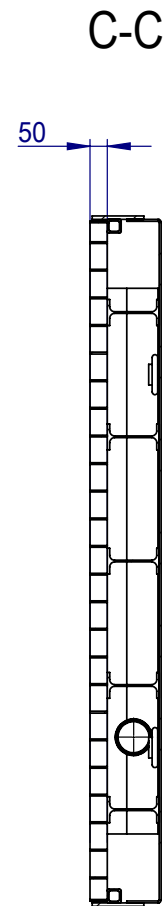
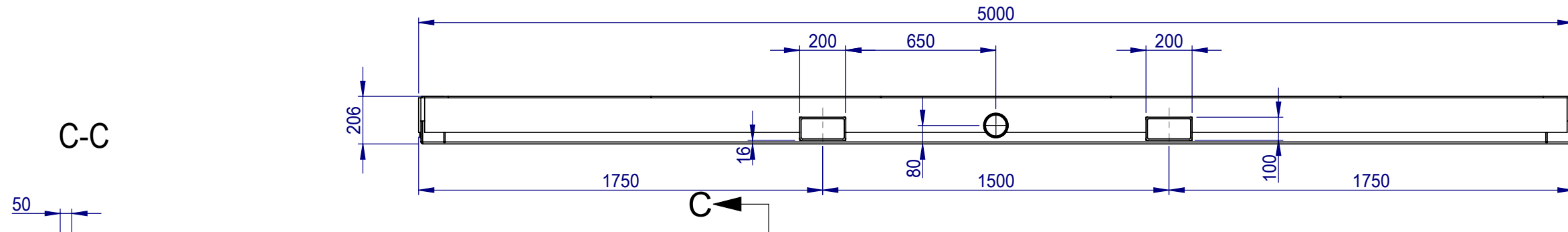
V.1.0	25/03/14	GA Drawings for Review & Approval	SY	AH	
REV:	DATE:	REVISION:	DRAWN:	CHECKED:	APPROVED:



DRAWN: SY	DATE: 25/03/14	TITLE: iFUEL SCU Mining Typical Layout 20m x 10m Spill Pad	
CHECKED: AH	DATE: 25/03/14	DRAWING NO:	REV: v.1.0
APPROVED:	DATE:		SHEET: 7 of 9
CONFIGURED:	DATE:	PROJECT NO:	SCALE: Do Not Scale

A3

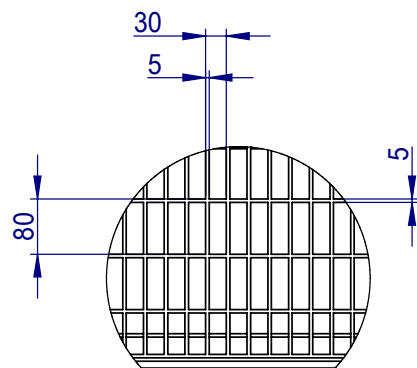




D15



D15



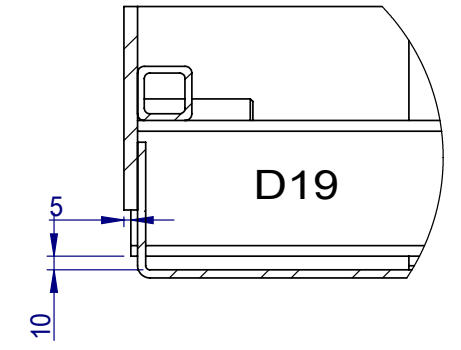
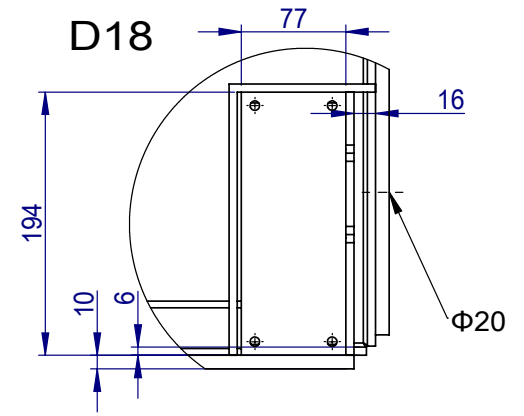
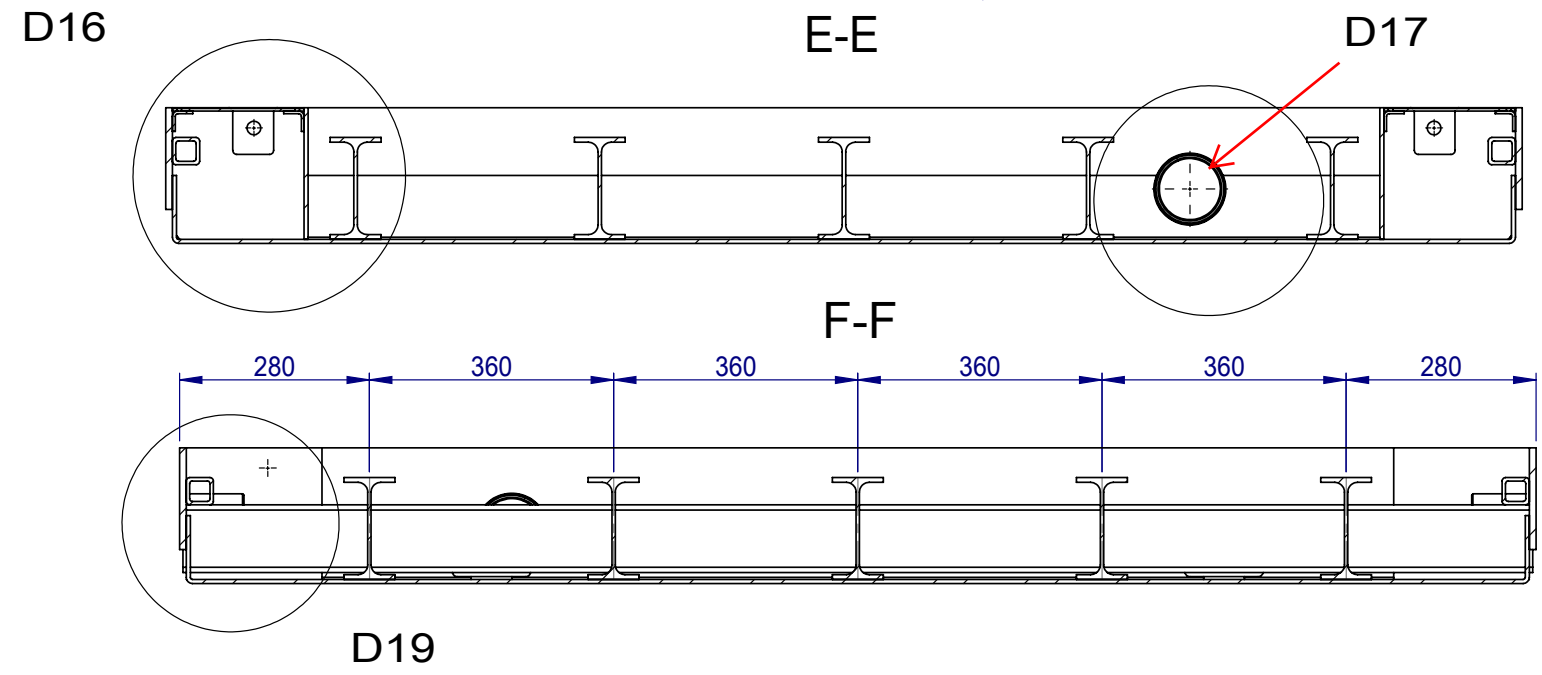
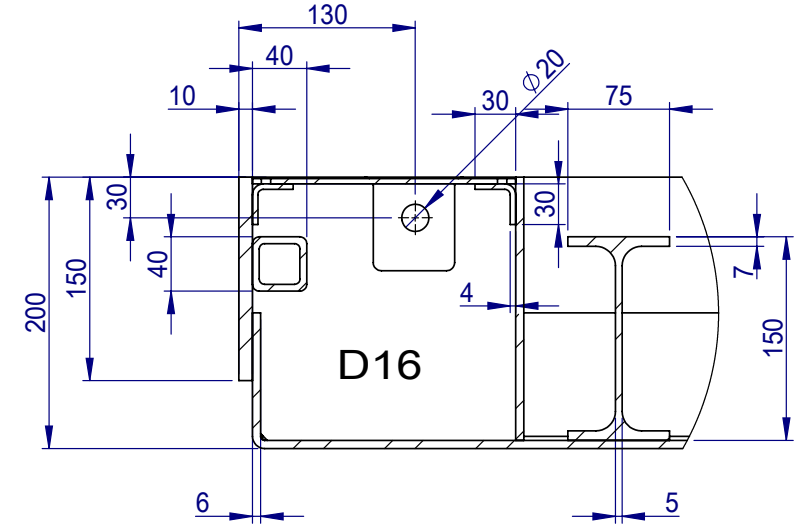
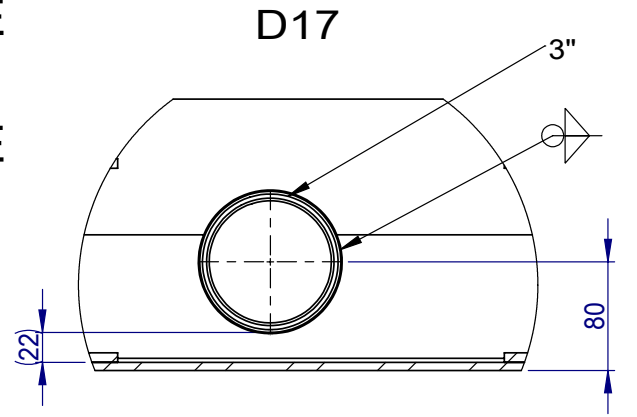
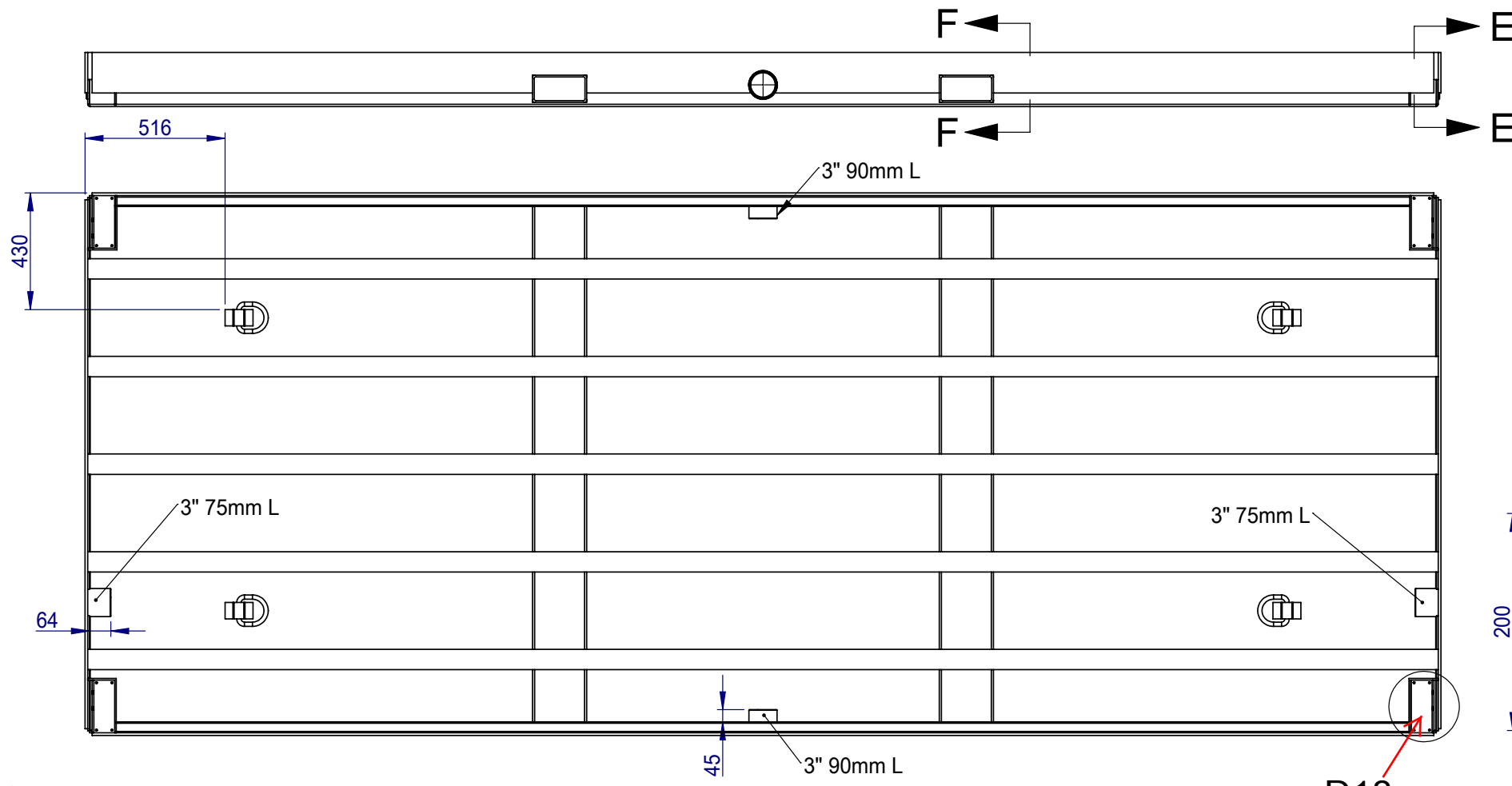
V.1.0	25/03/14	GA Drawings for Review & Approval	SY	AH	
REV:	DATE:	REVISION:	DRAWN:	CHECKED:	APPROVED:



DRAWN: SY	DATE: 25/03/14	TITLE: iFUEL SCU Mining Typical Layout 20m x 10m Spill Pad	
CHECKED: AH	DATE: 25/03/14	DRAWING NO:	REV: v.1.0
APPROVED:	DATE:		SHEET: 8 of 9
CONFIGURED:	DATE:	PROJECT NO:	SCALE: Do Not Scale

A3





V.1.0	25/03/14	GA Drawings for Review & Approval	SY	AH	
REV:	DATE:	REVISION:	DRAWN:	CHECKED:	APPROVED:



DRAWN: SY	DATE: 25/03/14	TITLE: iFUEL SCU Mining Typical Layout 20m x 10m Spill Pad	
CHECKED: AH	DATE: 25/03/14	DRAWING NO:	REV: v.1.0
APPROVED:	DATE:	PROJECT NO:	SHEET: 9 of 9
CONFIGURED:	DATE:		SCALE: Do Not Scale

A3

