



FILTER KIT WATER REMOVAL



OILS



DIESEL



FT007A



FT002



60L



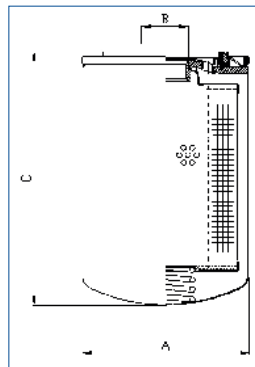
90L



100L

FEATURES	60L	90L	100L
Filter type	paper + water removal	paper + water removal	paper + water removal
Mesh [μm]	30	30	30
Max flow rate [l/min / GPM]	60 / 15,85	90 / 23,78	100 / 26,42
Max pressure [bar / psi]	12 / 174	12 / 174	14 / 203
Collapse pressure [bar/psi]	5/72	5/72	5/72
Max/Min Temperature [$^{\circ}\text{C}$]	-20/+110	-20/+110	-20/+110
Gasket material	NBR	NBR	NBR
Allowed fluids	diesel, oil	diesel, oil	diesel, oil
Head	FT007A	FT007A	FT002
Inlet/Outlet [BSP/G]	1" F flanged / 1" F flanged	1" F flanged / 1" F flanged	1" F / 1" F

DIMENSIONS	60L	90L	100L
A [mm]	96	96	128
B [mm]	1" UNF	1" UNF	1" - 1/2" UNF
C [mm]	213	213	263



GAUGE FT003 (optional)

- Saturation level indicator
- **BAR** (black line)
- **PSI** (red line)



FUEL[®]
REFUELLING SOLUTIONS



FILTER KIT DIRT REMOVAL



OILS



DIESEL



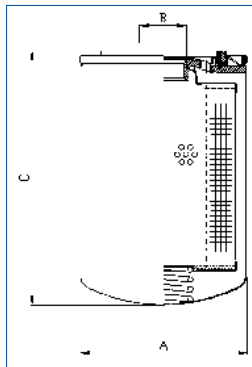
FT007A



60L



100L



FEATURES

Filter type
Mesh [μm]
Max flow rate [l/min / GPM]
Max pressure [bar / psi]
Collapse pressure [bar/psi]
Max/Min Temperature [$^{\circ}\text{C}$]
Gasket material
Allowed fluids
Head
Inlet/Outlet [BSP/G]

60L dirt removal

paper + water removal
10
60/15,85
12/174
5/72
-20/+110
NBR
diesel, oil
FT007A
1" F flanged / 1" F flanged

100L dirt removal

paper
10
100 / 26,42
12 / 174
5/72
-20/+110
NBR
diesel, oil
FT007A
1" F flanged / 1" F flanged

DIMENSIONI

A [mm]
B [mm]
C [mm]

60L dirt removal

96
1" UNF
213

100L dirt removal

96
3/4" BSP-G
148

GAUGE FT003 (optional)

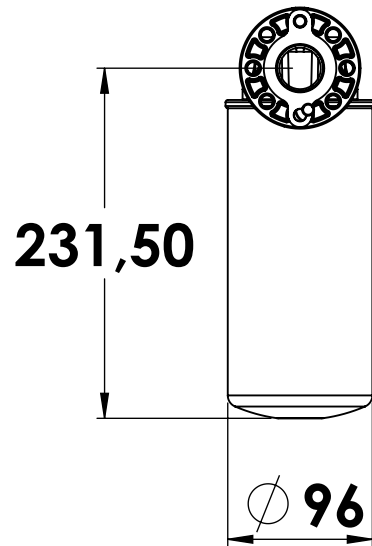
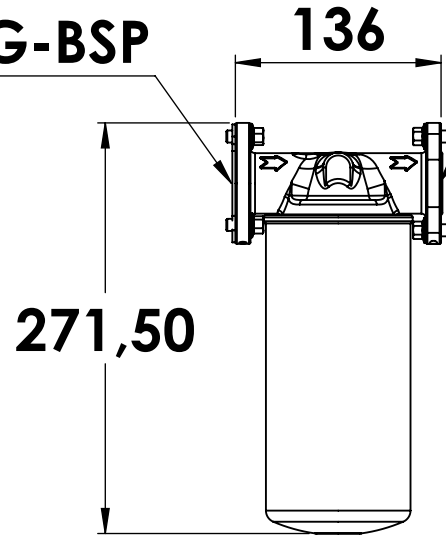
- Saturation level indicator
- **BAR** (black line)
- **PSI** (red line)





KIT FILTRO - FILTER KIT 60-90L

INLET 1" G-BSP **136** **OUTLET 1" G-BSP**



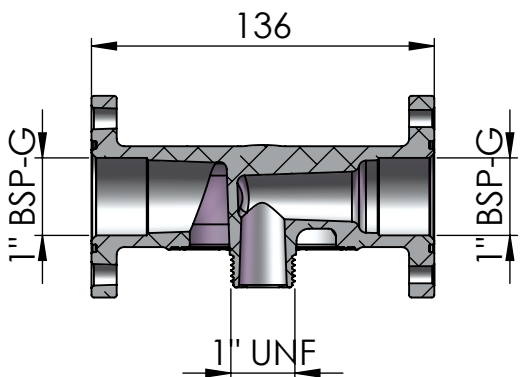
tutte le dimensioni espresse in mm - all dimensions are in mm



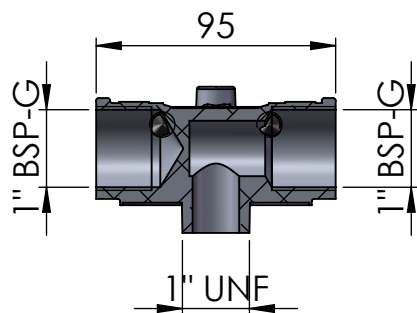


Heads / cartridges correspondences

Ref. FT007A

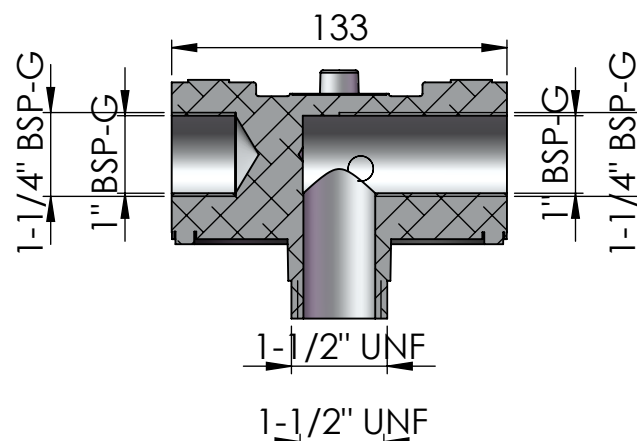


Ref. FT001



Ref. FT002

IN-OUT 1" with reductions



Ref. FT005

