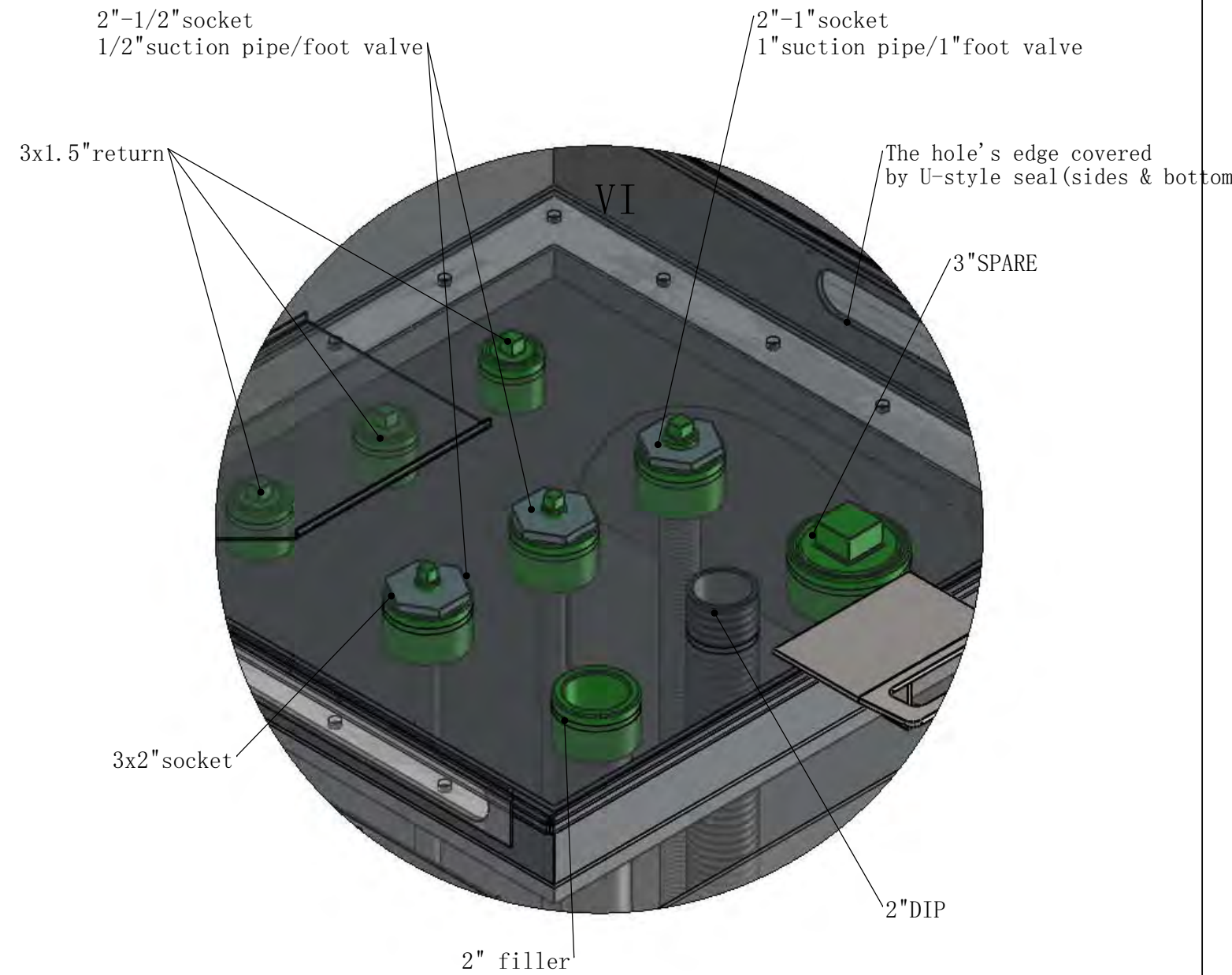
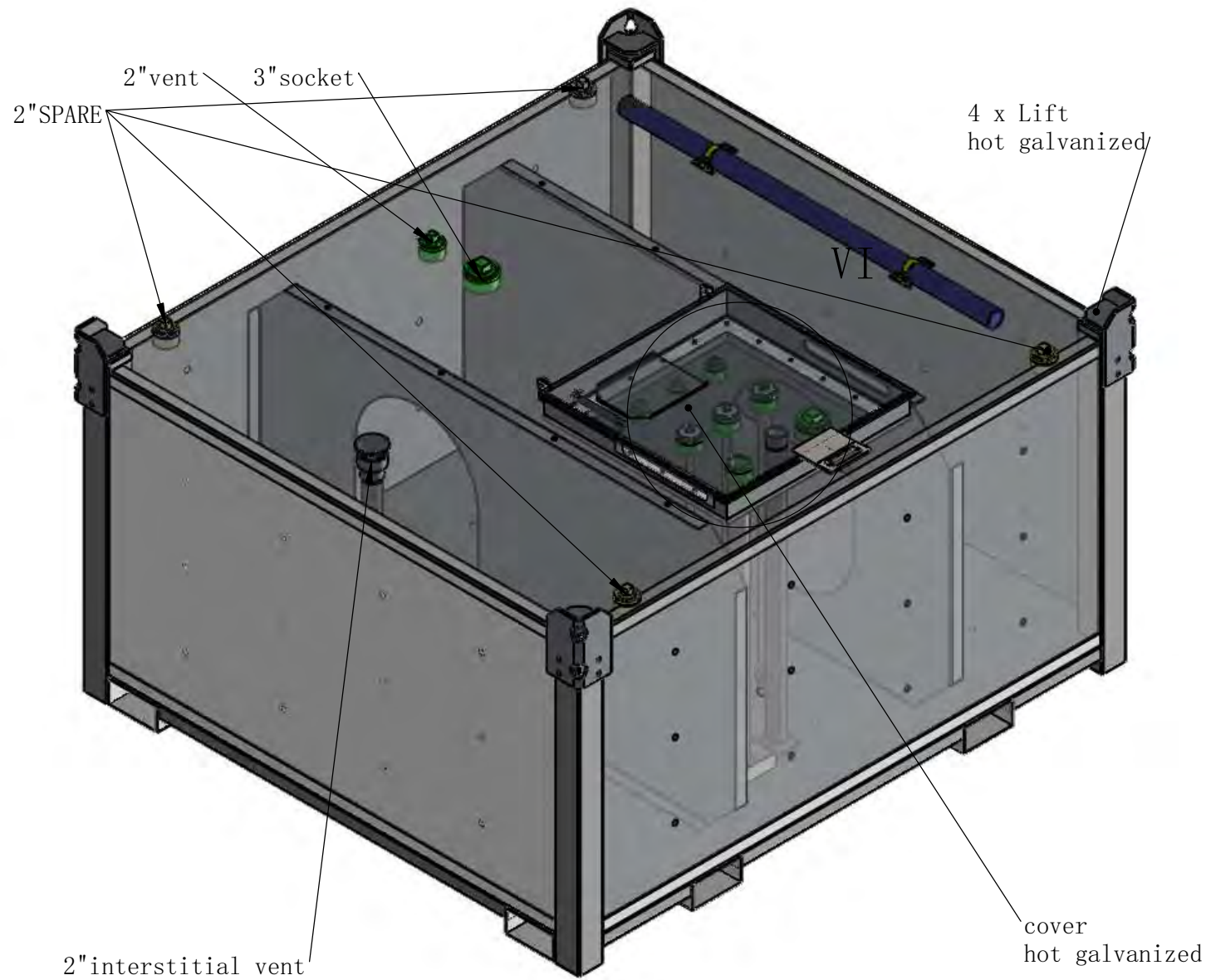
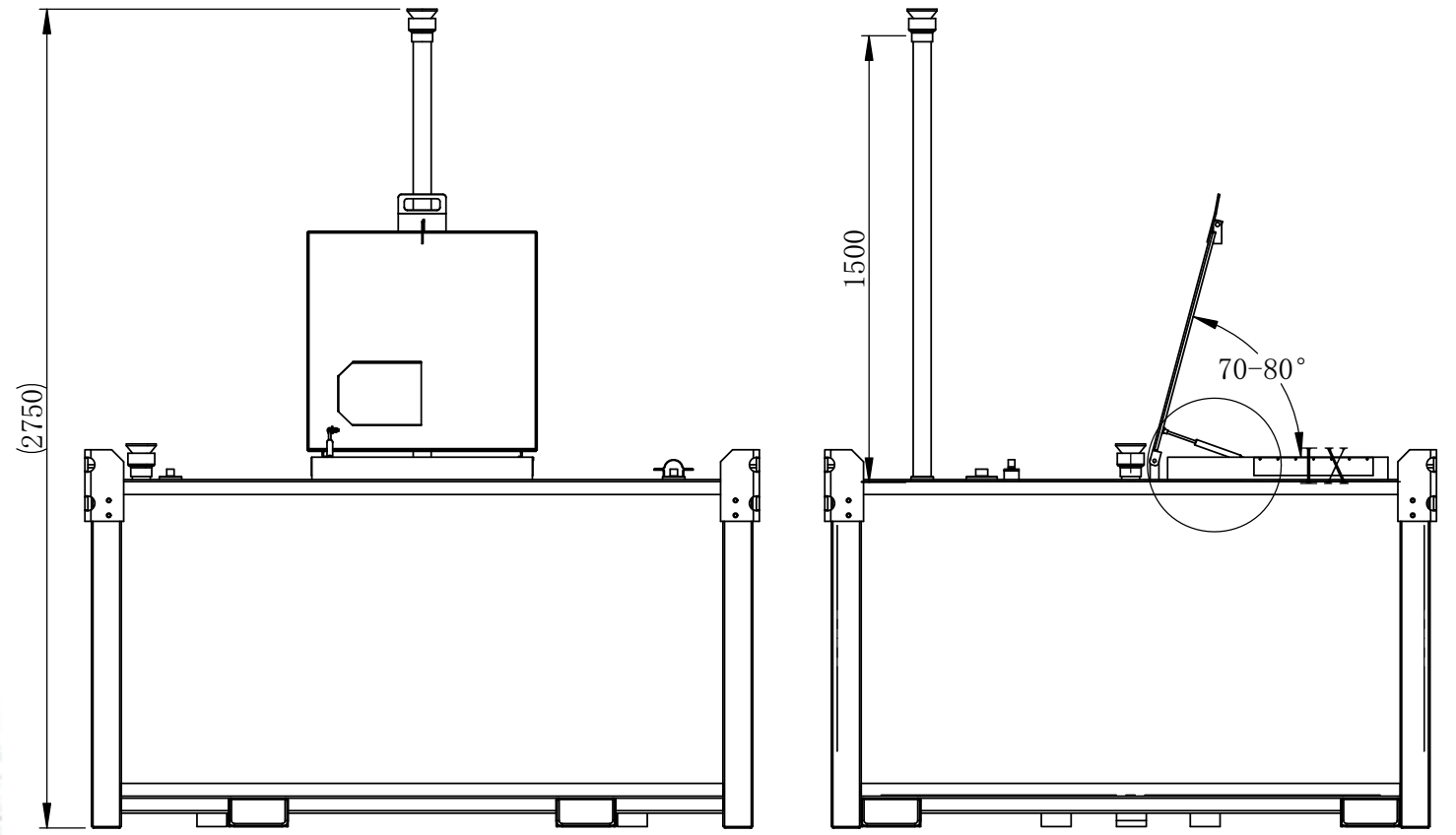
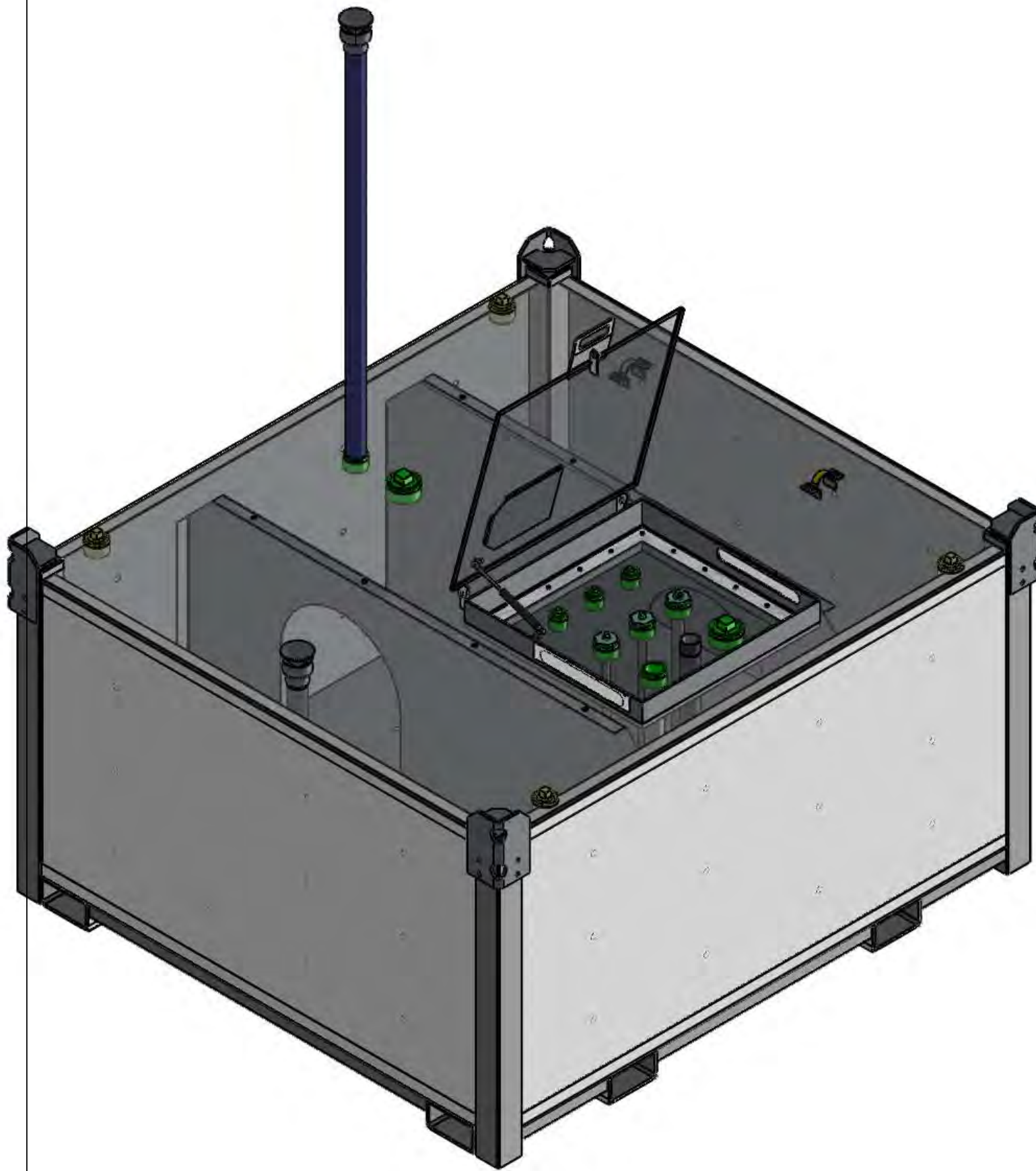


Tank	
TANK CONTENTS	
DESIGNED TO	AS1940 / AS1692
BUILT TO	AS1657 / AS1554.1
PLATE THICKNESS, Material	4/4 mm, Q235B
Pressue Test	35KPA
External size	2294x2084x1270mm
Internal size	2186x1976x1058mm
GROSS VOLUME	4500L
SAFE FILL LEVEL	4000L
N. D. T.	Require By Client
TOTAL MASS	1331.01KG

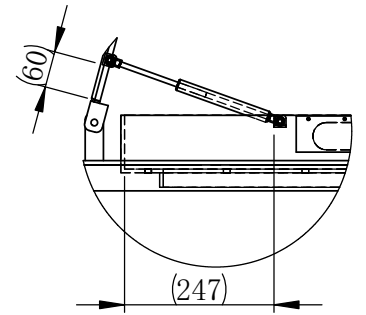
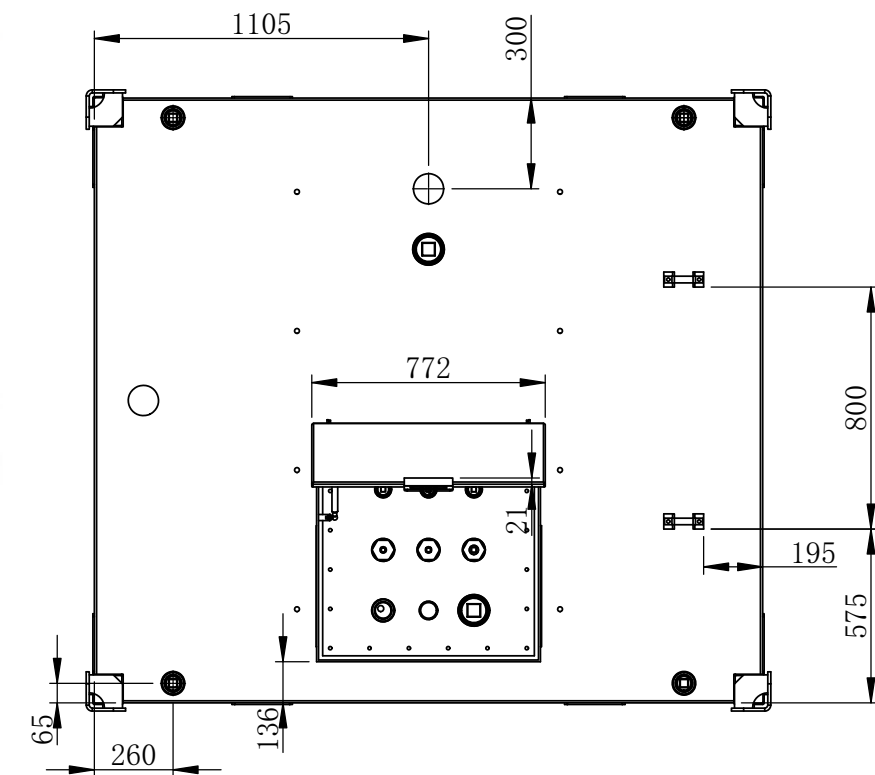


07					
06					
05					
04					
03					
02					
01					
REV:	DATE:	REVISION:	DRAWN:	CHECKED:	APPROVED:

	DRAWN:	DATE:	TITLE: BOX 4500L Self Bunded Tank		
	CHECKED:	DATE:			
	CLIENT:	DATE:	DRAWING NO. :	REV: 01	A3
APPROVED:	DATE:	PURCHASE ORDER NO. :	SHEET: 1 of 4		
Material:				Scale: No scale	
Weight:	1331.01KG				



IX



07					
06					
05					
04					
03					
02					
01					
REV:	DATE:	REVISION:	DRAWN:	CHECKED:	APPROVED:



Material:
Weight: 1331.01KG

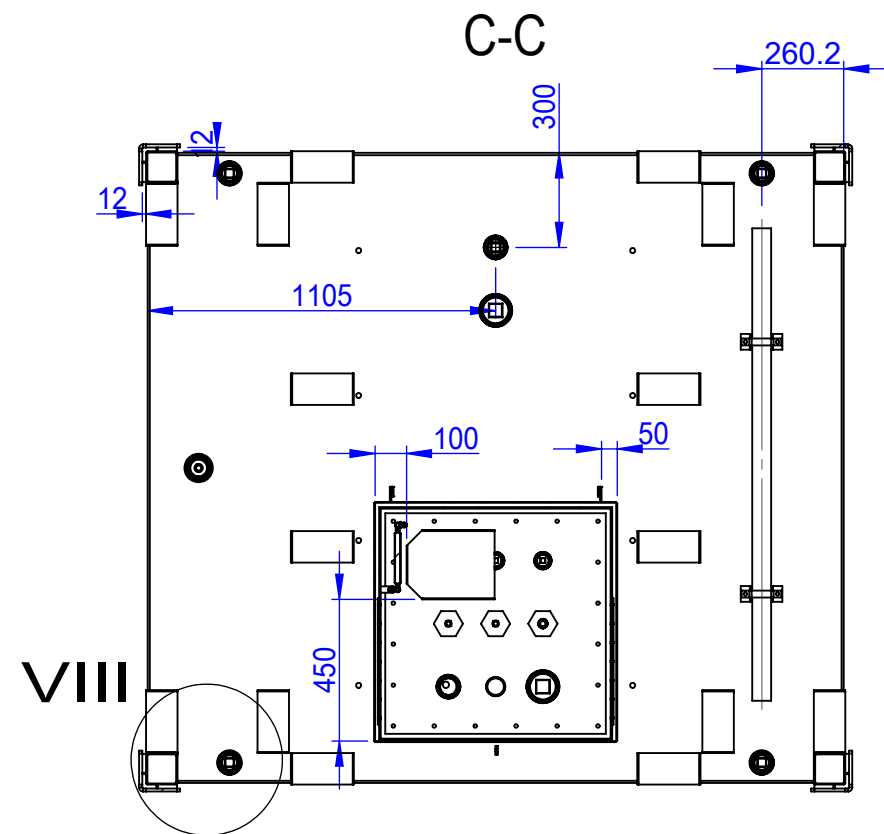
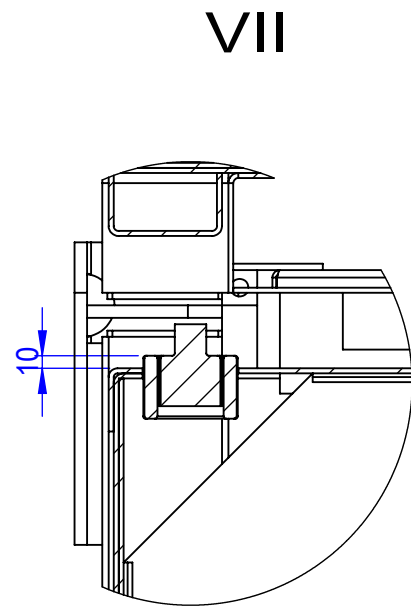
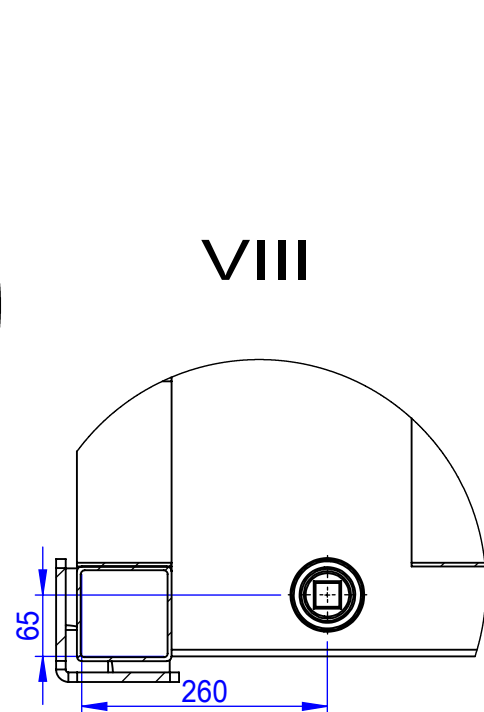
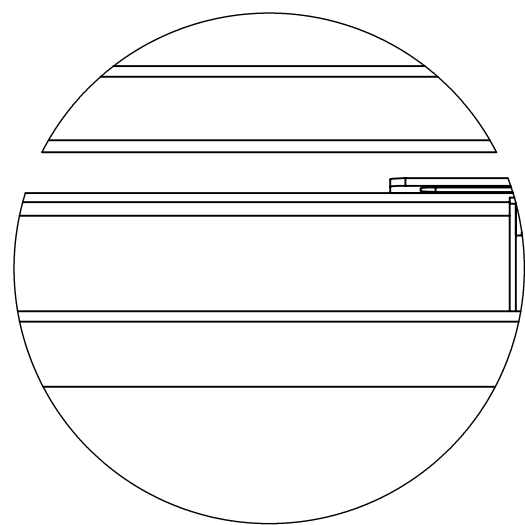
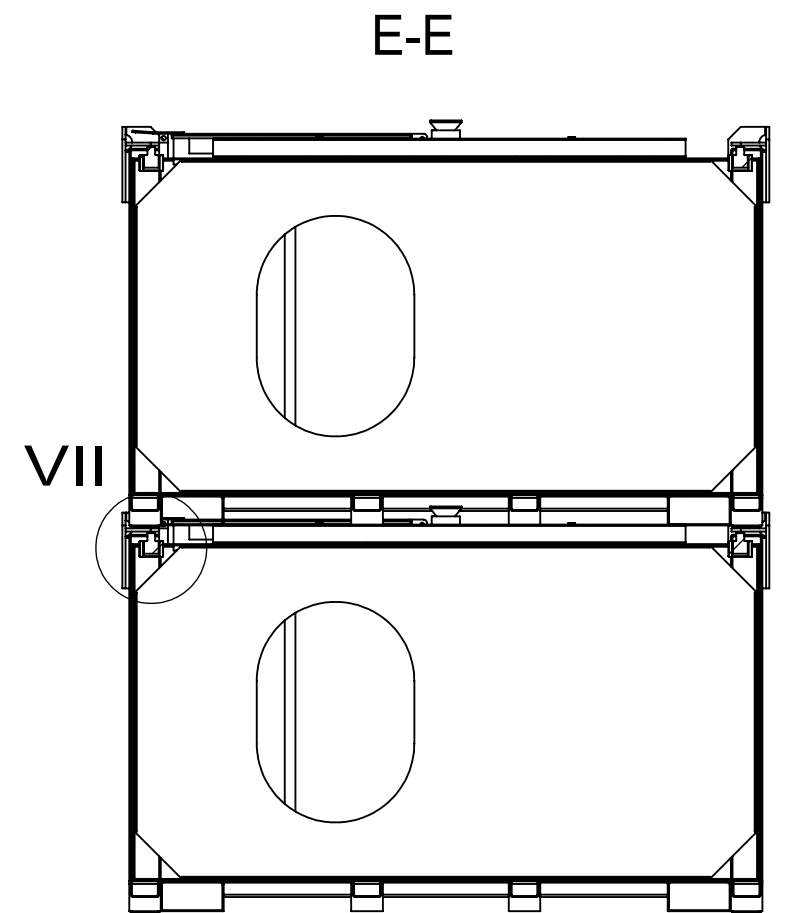
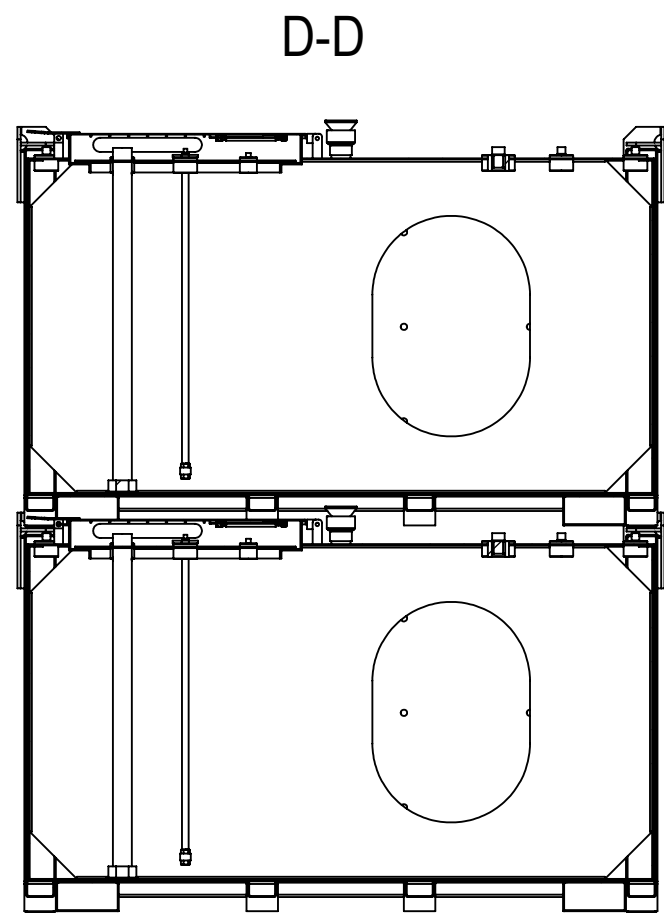
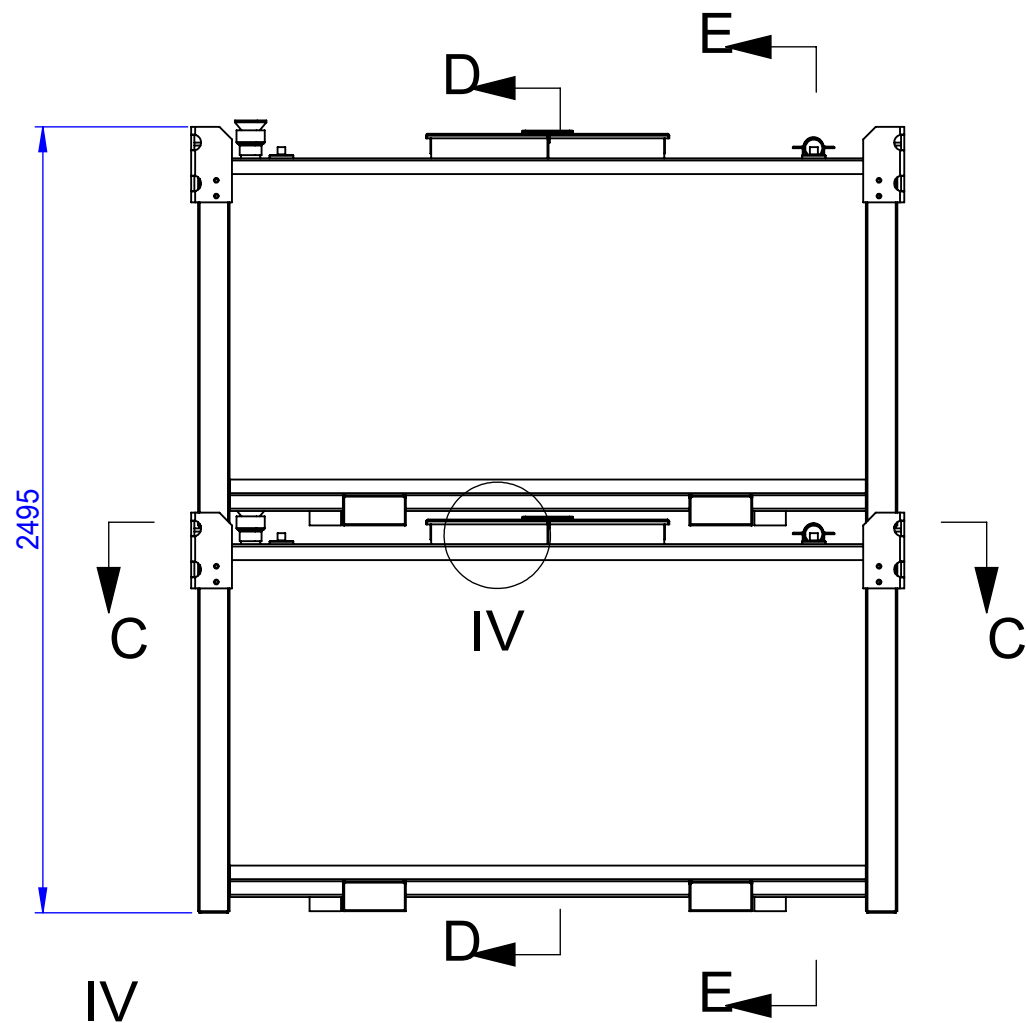
DRAWN:
DATE: 2020-07-01
CHECKED:
DATE:
CLIENT:
DATE:
APPROVED:
DATE:

TITLE:
BOX 4500L Self Bunded Tank
DRAWING NO. :
PURCHASE ORDER NO. :

REV: 01
SHEET: 2 of 4
Scale: No scale

A3





07					
06					
05					
04					
03					
02					
01					
REV:	DATE:	REVISION:	DRAWN:	CHECKED:	APPROVED:



Material:
Weight: 2649.34KG

DRAWN:

CHECKED:

CLIENT:

APPROVED:

DATE:

2019/7/5

DATE:

DATE:

TITLE:

BOX 4500L Self Bunded Tank

DRAWING NO. :

PURCHASE
ORDER NO. :

REV:
01
SHEET:
4 of 4

Scale:
No scale

A3

