

07					
06					
05					
04					
03					
02					
01					
REV:	DATE:	REVISION:	DRAWN:	CHECKED:	APPROVED:



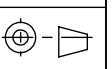
Material:  
Weight: 265.46KG

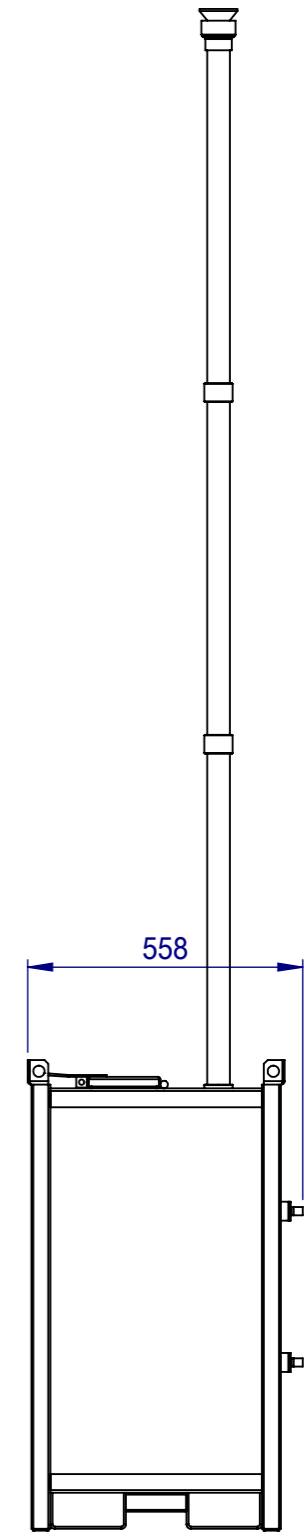
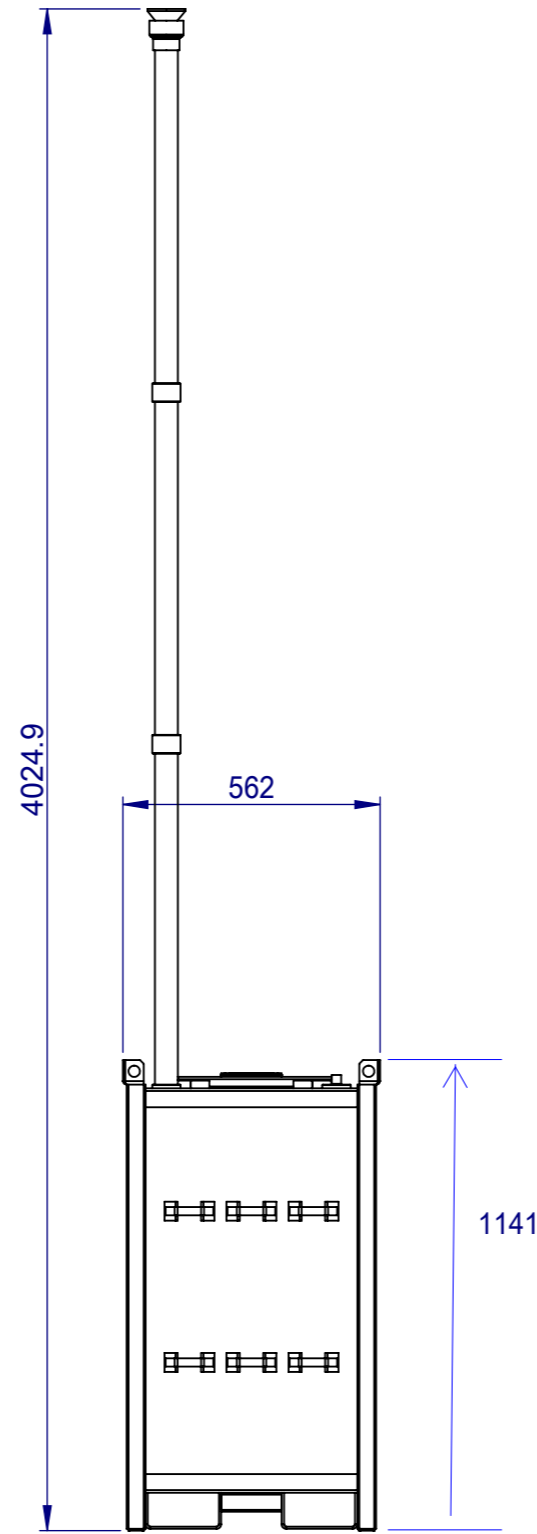
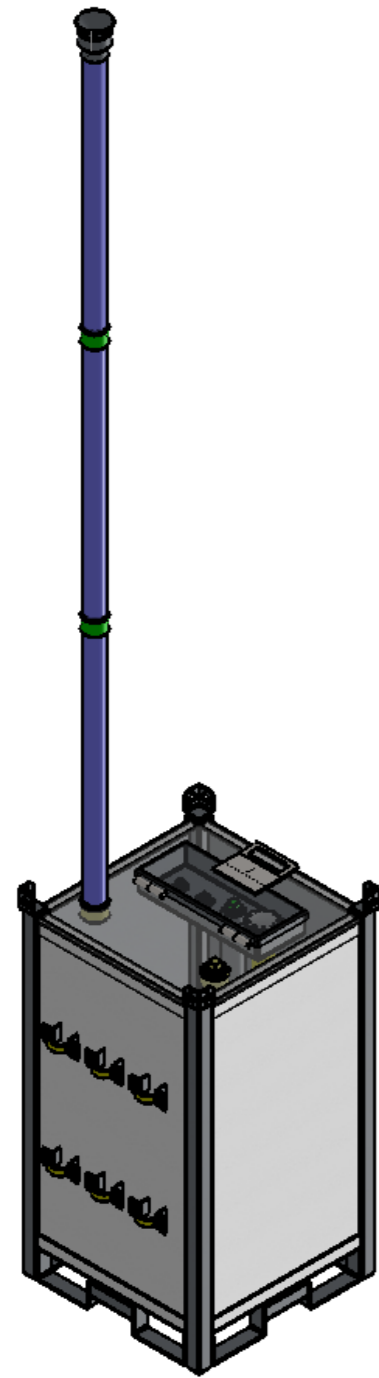
DRAWN:      DATE:  
CHECKED:     DATE:  
CLIENT:      DATE:  
APPROVED:    DATE:

TITLE:  
BOX 250L Self Bunded Tank  
DRAWING NO. :  
PURCHASE ORDER NO. :

REV: 01  
SHEET: 1 of 4  
Scale: No scale

A3





07					
06					
05					
04					
03					
02					
01					
REV:	DATE:	REVISION:	DRAWN:	CHECKED:	APPROVED:



Material:  
Weight: 265.46KG

DRAWN:	DATE:
CHECKED:	DATE:
CLIENT:	DATE:
APPROVED:	DATE:

TITLE:  
BOX 250L Self Bunded Tank

DRAWING NO. :

PURCHASE ORDER NO. :

REV:  
01  
SHEET:  
2 of 4

A3

No scale

