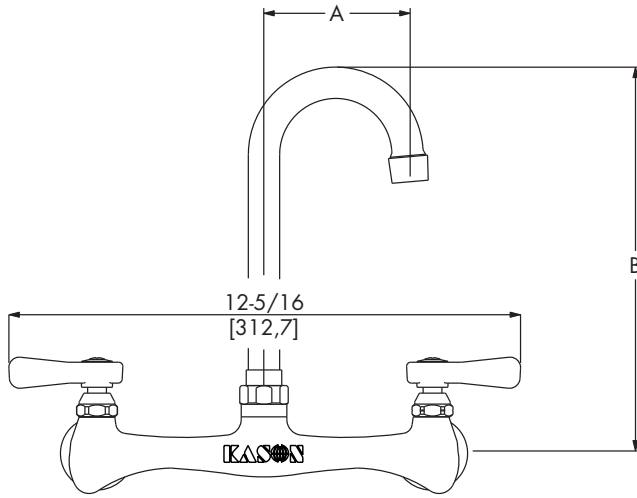




**SERVING YOU SINCE 1926**

KASON FOOD SERVICE 31-A AMLAJACK BLVD. NEWNAN, GA 30265  
1-800-935-2766 WWW.KASONIND.COM



APPLICATION:  
JOB NAME:  
QUANTITY: SPECIFIER NO:

PRODUCT NAME: 8" WALL MOUNT FAUCET, SELECT LINE

SPECIAL CONFIGURATION  
CHECK BASE MODEL AND OPTIONS

- MODEL:
- 455KL9801 W/ 3-1/2" GOOSENECK SWIVEL SPOUT
  - 455KL9802 W/ 6" GOOSENECK SWIVEL SPOUT
  - 455KL9803 W/ 8-1/2" GOOSENECK SWIVEL SPOUT

- OPTIONS OR MODIFICATIONS:
- SUPPLY LINES (24" OR 36" CIRCLE LENGTH)
  - INLET KIT
  - NIPPLES
  - ELBOWS
  - VANDAL RESISTANT KIT
  - HANDLES: CROSS STYLE
  - HANDLES: WRIST STYLE
  - CERAMIC CARTRIDGE
  - LOW FLOW AERATOR
  - SPOUT EXTENTIONS
  - OTHER \_\_\_\_\_

FEATURES:  
\*ECONOMICAL, COMMERCIAL FAUCETS.  
\*PROVIDE YEARS OF DEPENDABLE SERVICE.

MATERIALS:  
\*LOW LEAD BRASS ALLOY VALVE STEM, BONNETS, AND BODY.  
\*POLISHED, TRIPLE CHROME PLATED VALVE BODY AND SPOUT.  
\*POLISHED CHROME FINISHED TUBULAR BRASS SPOUTS.  
\*POLISHED CHROME FINISHED HIGH PRESSURE DIE-CAST ZINC HANDLES WITH STAINLESS STEEL SCREWS.

MOUNTING:  
\*1/2"-14 NPT THREADED ECCENTRIC FEMALE INLETS  
\*Ø 7/8" MOUNTING HOLES  
\*8" CENTERS

SYSTEM LIMITS:  
\*TEMP: 40°F MIN. TO 140°F MAX  
\*PRESSURE 200 PSI MAX. STATIC  
\*2.20 GPM AT 60 PSI

MODEL	DIM "A"	DIM "B"
455KL9801	3-1/2"	5"
455KL9802	6"	5-1/8"
455KL9803	8-1/2"	8-1/2"

ROUGH-IN: Ø 7/8" HOLES ON Ø 8" CENTERS

**APPROVALS:**  
**DATE:**

GreenGuard BY KASON INDUSTRIES  
AB 1953 COMPLIANT  
NSF® NSF-61/9-G