

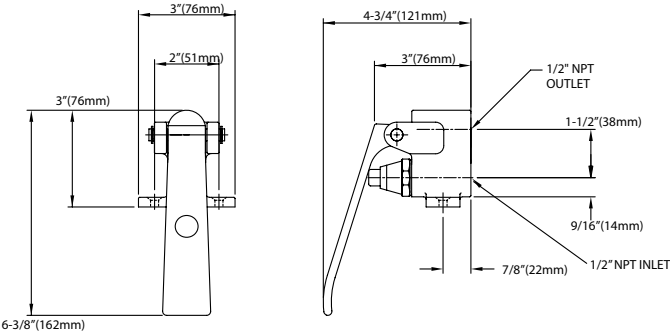
PROJECT NAME: _____

LOCATION: _____

SPECIFIER ITEM NO. _____ **QTY:** _____

ENCORE PART NO. _____

Encore[®] Single Lever Knee Operated Valve
KL25-4000



Dimensions shown in inches (mm) are for reference only and are subject to change.

Pedal Valve:
 (1) 1/2" NPT Female Inlets
 (1) 1/2" NPT Female Outlet
 Operating Temperature: 40 - 180°F
 Operating Pressure: 20 - 125psi
 #10 mounting holes

Approximate shipping weight - 3 lbs
 Warranty - 2 years parts

Solid heavy duty cast brass

Commercial Quality Features

- Knee operated valve
- For use with spout bases
- Self-closing valve
- Color indexed lever
- Single lever operation
- (1) 1/2" NPT female inlets and (1) 1/2" NPT female outlet
- Rough chrome valve body with highly polished chrome knee lever

SPECIFICATIONS:

Single lever knee valve to be Encore KL25-4000. Single lever knee valve to be constructed of polished chrome plated brass with total lead content less than 0.25% by weighted average. Lever to have self-closing valve and color-coded indicator for hot or cold.

COMPLIES WITH:
 ASME A112.18.1-2005
 CSA B125.1-05
 NSF/ANSI 61/9, ANNEX G
 SECTION 116875 OF THE
 CALIFORNIA HEALTH & SAFETY CODE
 (COMMONLY KNOWN AS AB1953)
 VERMONT ACT 193
 UNIFORM PLUMBING CODE

