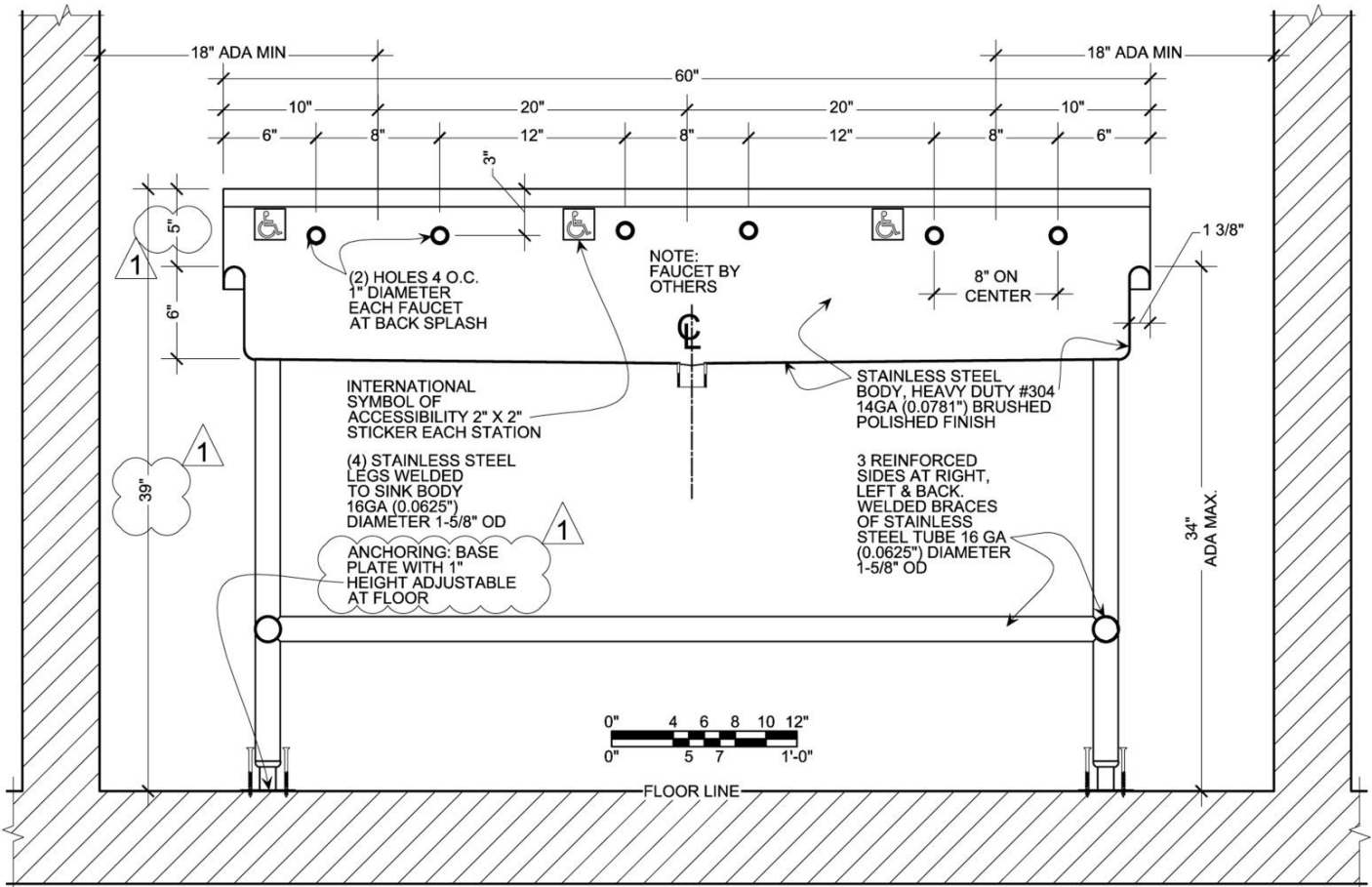


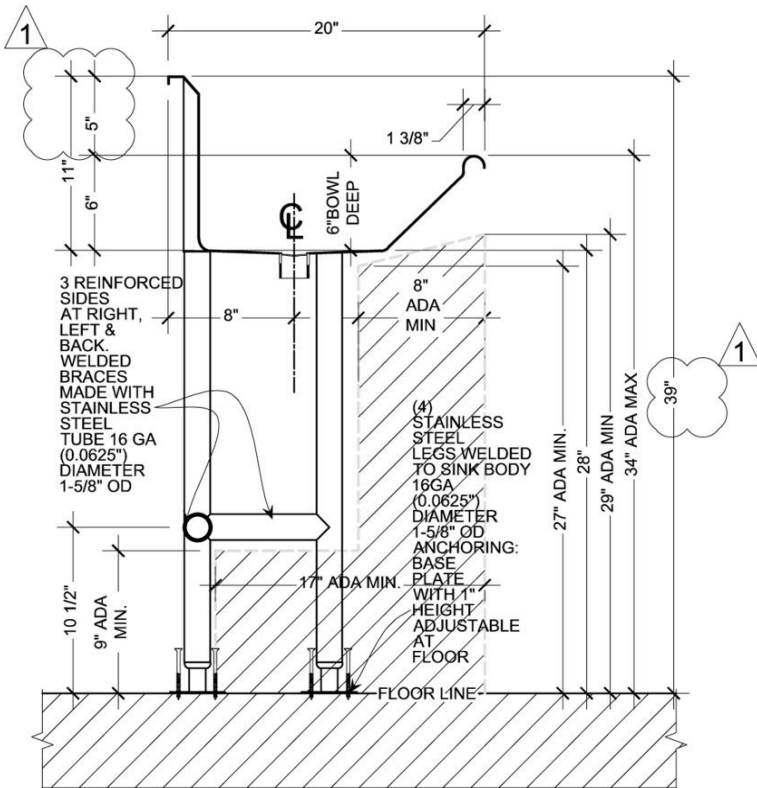
**ADA WASH UP HAND SINK: 3 STATION ADA FREE STANDING MODEL: [ADA-230S602056H](#)**



**MADE IN AMERICA**



SECTION: LONGITUDINAL



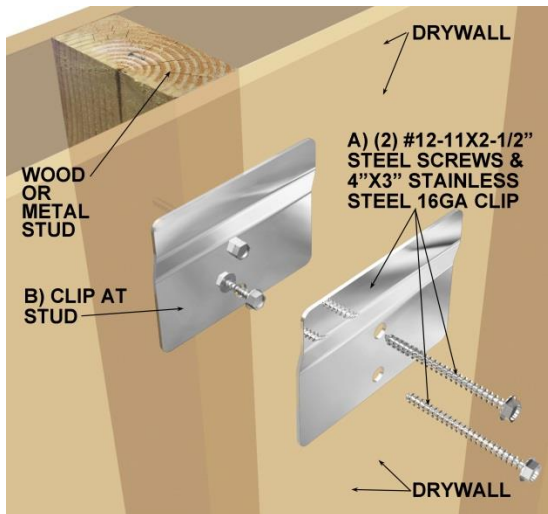
SECTION: TRANSVERSE

**SHOP DRAWING**

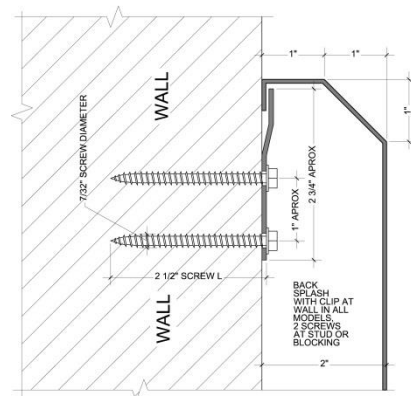
**ITEMS INCLUDED:**



**ANCHORING:**



**WASH UP SINK INSTALLATION**



BACK SPLASH WALL ANCHOR WITH SS CLIP DETAIL