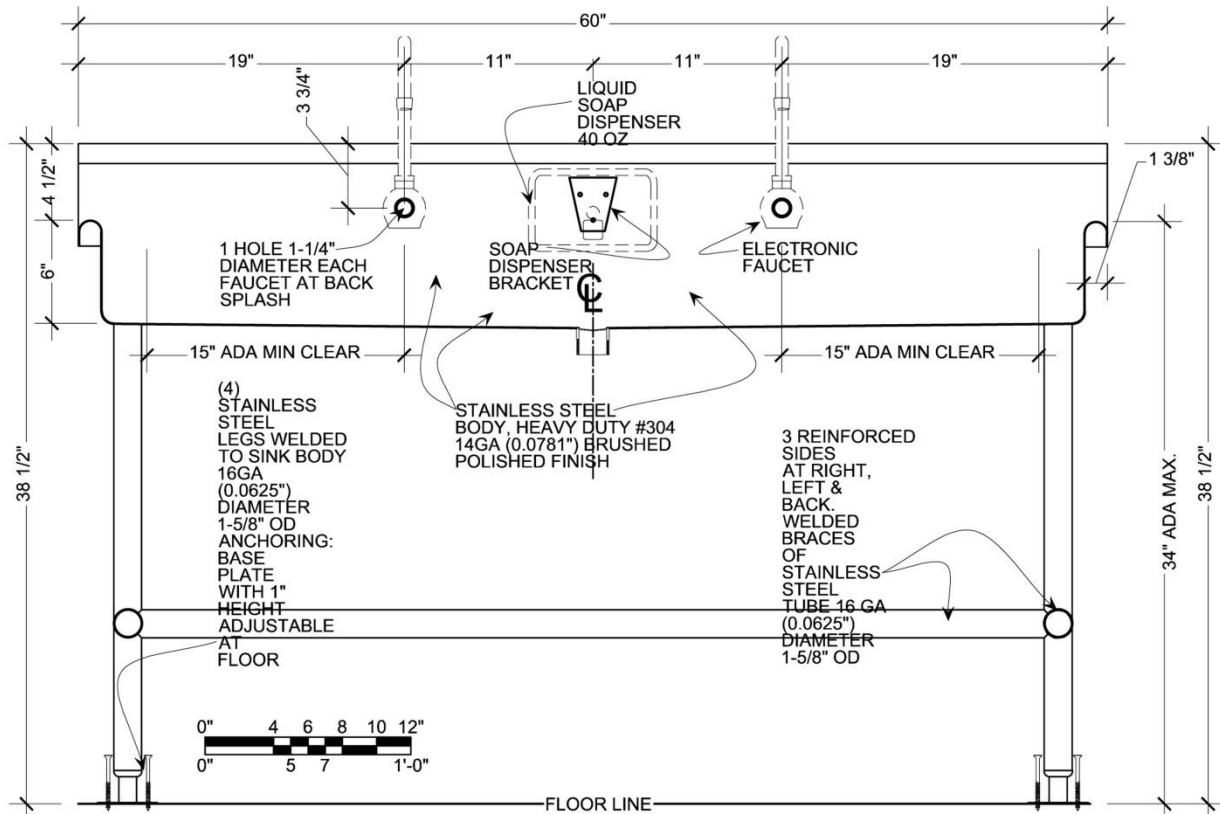


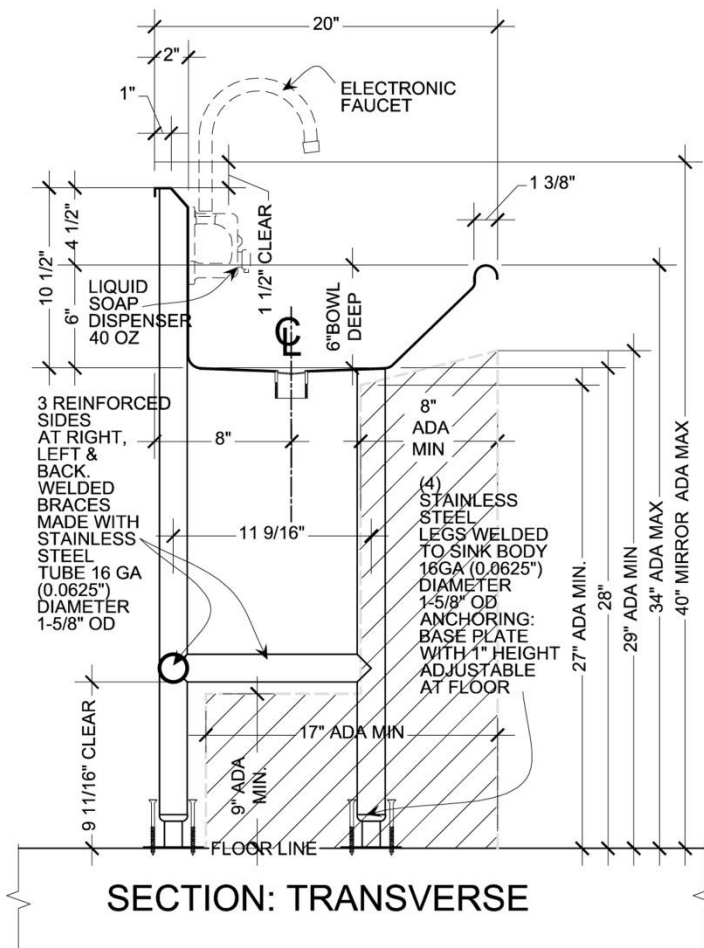
**ADA WASH UP HAND SINK: 2 STATION ADA-021E602065H
SHOP DRAWING:**



MADE IN AMERICA



SECTION: LONGITUDINAL



SECTION: TRANSVERSE

ITEMS INCLUDED:



WALL MOUNT 40
LIQUID
HORIZONTAL SOAP
DISPENSER AT BACK

ALL ITEMS
INCLUDED:



1-1/2" OR 2"
NPT STAINLESS
STEEL DRAIN
SOLID WELDED
TO THE BOWL



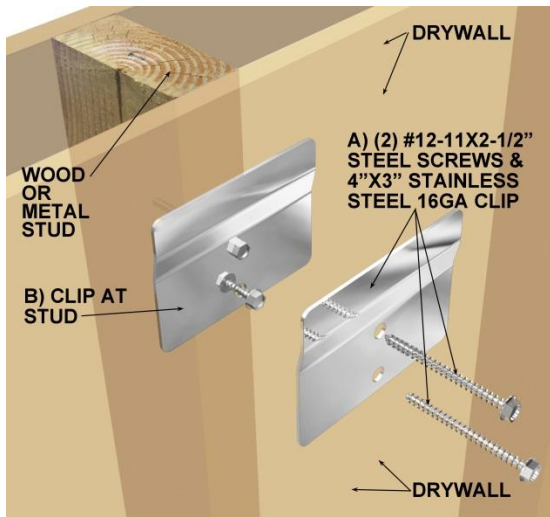
ELECTRONIC
FAUCET PICTURE



DRAIN SYSTEM:
IMPROVED DRAIN SYSTEM, NO MORE SEAL LEAKS
OR LOOSE BASKET STRAINER, SOLID WELDED
1-1/2" NPT, SCHEDULE 40 STAINLESS STEEL 304,
PLUS A WELDED 3/16" DIAMETER HOLES 14 GA
(0.0781") STAINLESS STEEL PERFORATED SCREEN

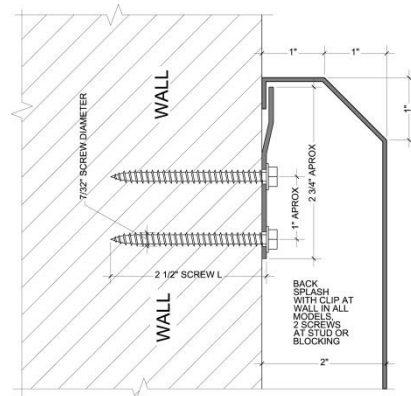


ANCHORING:

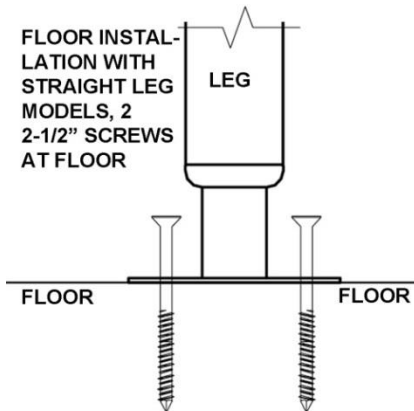


WOOD OR METAL STUD
B) CLIP AT STUD
A) (2) #12-11X2-1/2" STEEL SCREWS & 4"X3" STAINLESS STEEL 16GA CLIP
DRYWALL
DRYWALL

WASH UP SINK INSTALLATION



BACK SPLASH WALL ANCHOR WITH SS CLIP DETAIL



FLOOR INSTALLATION WITH STRAIGHT LEG MODELS, 2 2-1/2" SCREWS AT FLOOR
LEG
FLOOR FLOOR



PLATE AT FLOOR VIEW



WELDED & POLISHED LEGS TO BRACES NSF.