

UPTOWN DK

Cherished Knits

FOR CHILDREN & BABIES



UNIVERSAL YARN

www.universalyarn.com

Chapter One **1**
Onesie





2 *Playtime Sweater*



*Embraceable
Baby Blanket* 3

4 *Basket Baby Cardigan*





5 *Crayon Box Hat*



Honeybee Car Coat 6



7 *Twists Cabled Vest*



Simple Textures 8
Blanket

9

Little Prince Vest





10

Baby's First Cap & Mitts

11 *Counting Sheep Blanket*



Pastel Posie Hoodie

12





13 *Jelly Bean Cardigan*



Gumdrop Cardigan 14

1 Chapter One Onesie

SIZES

Onesie is sized to fit 6 (12, 18, 24) months.
Sample shown is knit in the 6 months size.

FINISHED MEASUREMENTS

Chest: 20 (21, 22, 23)"

Length: 14½ (15¾, 16½, 17½)"

Upper Arm: 8 (9, 10, 10½)"

MATERIALS

Universal Yarn *Uptown DK Colors* (100% anti-pilling acrylic; 100g/273 yds)

- 70312 Bouquet – 1 (2, 2, 2) balls

Needles: US 6 (4 mm) straight needles **or size to obtain gauge**

Notions: Size E-4 (3.5 mm) crochet hook, 1 – 3/8" button, 3 – ¼" snaps, approx 8 (8, 9, 9)" of ¾"-wide white fabric stabilizer, sewing needle and thread (matching color), yarn needle

GAUGE

21 sts and 26 rows = 4" in St st

Save time, check your gauge.

BACK

Facing

Cast on 6 (6, 8, 10) sts. **Row 1 (WS):** Purl. Work even in St st for 2 more rows. **Inc row (RS):** K1, m1, knit to last st, end m1, k1 – 2 sts inc'd. Work even in St st for 3 rows. Rep these 4 rows, once more – 10 (10, 12, 14) sts. Purl 2 rows (turning ridge).

Lower Body

Rep Inc row – 2 sts inc'd. Purl 1 WS row. Rep these 2 rows, 9 more times – 30 (30, 32, 34) sts. At beg of next 8 (10, 10, 10) rows, cast on 2 sts. At beg of next 2 rows, cast on 3 sts – 52 (56, 58, 60) sts.

Body

Next row (RS): Knit. Work even in St st until piece measures 6 (6½, 7, 7½)" from last inc at lower body, ending after a WS row.

Shape Armholes

At beg of next 2 rows, bind off 4 sts. **Dec row (RS):** K1, ssk, knit to last 3 sts, end k2tog, k1 – 2 sts dec'd. Purl 1 WS row. Rep these 2 rows, 3 more times – 36 (40, 42, 44) sts rem. Work even in St st until armhole measures 3 (3¼, 3½, 4)", ending after a WS row.

Shape Back Neck

Next row (RS): K7 (9, 10, 10), join new ball of yarn and bind off 22 (22, 22, 24) sts for back neck, k7 (9, 10, 10). **Left Shoulder only:** Purl 1 WS row. **Dec row (RS):** K1, ssk, knit to end – 1 st dec'd. Purl 1 WS row. Rep these 2 rows, once. Bind off rem 5 (7, 8, 8) sts. **Right Shoulder:** With WS facing, join yarn. Work as for Left Shoulder, rev shaping.

FRONT

Work as for Back until armhole measures 1½ (1¾, 2, 2½)", ending after a WS row.

Shape Front Neck

Next row (RS): K11 (13, 14, 14) sts, join new ball of yarn and bind off 14 (14, 14, 16) sts, k11 (13, 14, 14). **Right Shoulder only:** Purl 1 WS row. **Dec row (RS):** K1, ssk, knit to end – 1 st dec'd. Purl 1 WS row. Rep these 2 rows, 5 more times – 5 (7, 8, 8) sts rem. Work even in St st until armhole measures 4 (4¼, 4½, 5)", ending after a WS row. Bind off rem sts. **Left Shoulder:** With WS facing, join yarn. Work as for Right Shoulder, rev shaping.

SLEEVES

Cast on 28 (28, 32, 32) sts. **Row 1 (WS):** * K1, p1; rep from * to end. Work even in 1 x 1 rib until piece measures ½", ending after a WS row. **Inc row (RS):** K1, m1, knit to last st, end m1, k1 – 2 sts inc'd. Purl 1 WS row. Rep these 2 rows, 6 (9, 9, 11) more times – 42 (48, 52, 56) sts. Work even in St st until sleeve measures 3½ (3¾, 4, 4½)", ending after a WS row.

Shape Cap

At beg of next 2 rows, bind off 4 sts. **Dec row (RS):** K1, ssk, knit to last 3 sts, end k2tog, k1 – 2 sts dec'd. Purl 1 WS row. Rep these 2 rows, 8 (8, 9, 9) more times – 16 (22, 24, 28) sts rem. Bind off rem sts.

FINISHING

Sew left shoulder seam.

Neckband

With RS facing, beg at right back shoulder edge, pick up and knit 52 (52, 52, 58) sts evenly around neck to right front shoulder edge. **Row 1 (WS):** * K1, p1; rep from * to end. Work even in 1 x 1 rib until band measures 1" from pick-up, ending after a WS row. Bind off all sts in rib, but do not fasten off last st. Make button loop as follows: Insert crochet hook into last st, ch 6, sl st into first ch and fasten off. Sew right shoulder seam, leaving neckband unsewn. Sew button opposite button loop.

Set-in sleeves. Sew sleeve and side seams.

Leg Bands

With RS facing, pick up and knit 44 (52, 52, 52) sts evenly around one leg opening. **Row 1 (WS):** * K1, p1; rep from * to end. Work even in 1 x 1 rib until band measures 1" from pick-up, ending after a WS row. Bind off all sts in rib. Rep for other leg.

Cut fabric stabilizer into 2 even pieces. Sew snaps to fabric stabilizer, spacing 3 snaps evenly apart. Whipstitch stabilizer to facing at lower body, and sew facing to inside of onesie.

Weave in all ends.

2 Playtime Sweater

SIZES

Sweater is sized to fit 6 (12, 18, 24) months.
Shown in 12 month size.

FINISHED MEASUREMENTS

Chest: 20 (21, 21½, 22½)"

Length: 10 1/2 (11¼, 12¼, 13)"

Upper Arm: 7 (7¾, 8, 8½)"

MATERIALS

Universal Yarn *Uptown DK* (100% anti-pilling acrylic; 100g/273 yds)

- 112 Cedar – 1 (2, 2, 2) ball(s)

Needles: US Size 6 (4 mm) straight needles and dpns **or size to obtain gauge**

Notions: Stitch markers, stitch holders, yarn needle

GAUGE

22 sts x 28 rows = 4" in patt st

Save time, check your gauge.

Seaside Chain Pattern

Multiples of 7 sts + 4

Row 1 (RS): * P5, k1, p1; rep from * to last 4 sts, p4.

Row 2: K4, * k1, p1, k5; rep from * to end.

Row 3-4: Rep rows 1-2.

Row 5: * P4, k1, p1, k1; rep from * to last 4 sts, p4.

Row 6: K4, * p1, k1, p1, k4; rep from * to end.

Row 7-8: Rep rows 5-6.

Rep rows 1-8 for patt.

BACK

With straight ndls, cast on 55 (57, 59, 62) sts. **Row 1 (RS):**

* K1, p1; rep from * to last 1 (1, 1, 0) st, end k1 (1, 1, 0). **Row**

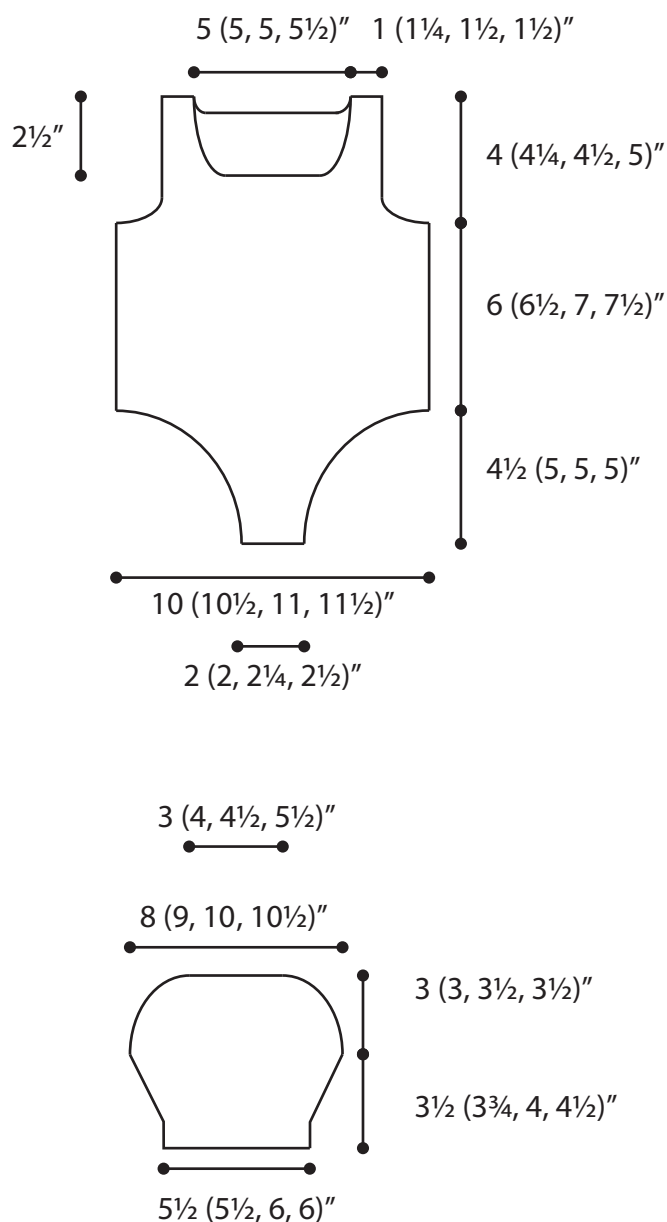
2: P1 (1, 1, 0), * k1, p1; rep from * to end. Work even in 1 x 1 rib until piece measures 1" from cast-on, ending after a WS row.

Beg Patt St

Row 1 (RS): P1 (2, 3, 1), pm, work in seaside chain patt to last 1 (2, 3, 1) sts, pm, purl to end. **Row 2:** Knit to m, sl m, work in patt to m, sl m, knit to end. Cont in patt, maint rev St st borders, until piece measures 6½ (7, 7¾, 8)" from cast-on, ending after a WS row.

Shape Armholes

At beg of next 2 rows, bind off 3 (3, 2, 2) sts – 49 (51, 55, 58) sts. Work even in patt until armhole measure 4 (4¼, 4½, 5)", ending after a WS row. Sl 11 (12, 14, 14) sts to holder for first shoulder, center 27 (27, 27, 30) sts to second holder for neck, and rem 11 (12, 14, 14) sts to third holder for second shoulder.



2 *Playtime Sweater* continued

FRONT

Work as for back until piece measures 6½ (7, 7¾, 8)" from cast on, ending after a WS row.

Shape Armholes

At beg of next 2 rows, bind off 3 (3, 2, 2) sts – 49 (51, 55, 58) sts. Work even in patt until armholes measure 3 (3¼, 3½, 4)", ending after a WS row.

Shape Neck

Next row (RS) Work in patt across 11 (12, 14, 14) sts (left shoulder), sl next 27 (27, 27, 30) sts to holder for neck, and rem 11 (12, 14, 14) sts on holder for right shoulder. *Left Shoulder only:* Work even in patt for 7 rows. Sl sts to holder. *Right Shoulder:* Work as for Left Shoulder.

SLEEVES

With straight needle, cast on 27 (29, 29, 29) sts. **Row 1 (RS):** * K1, p1; rep from * to last st, end k1. **Row 2:** P1, * k1, p1; rep from * to end. Work even in 1 x 1 rib until sleeve measures 1" from cast-on, ending after a WS row.

Beg Patt & Shape Sleeve

Next row (RS): P1 (2, 2, 2), pm, work in seaside chain patt to last 1 (2, 2, 2) sts, purl to end. **Next row:** Knit to m, sl m, work in patt to m, sl m, knit to end. **Inc row (RS):** P1, m1, work in patt to last st, end m1, p1 – 2 sts inc'd. Work even in patt for 5 rows. Rep these 6 rows, 4 (5, 6, 7) more times. Rep Inc row once more – 39 (43, 45, 47) sts. Work even until sleeve measures 7 (8, 9, 10)" from cast-on, ending after a WS row. Bind off all sts.

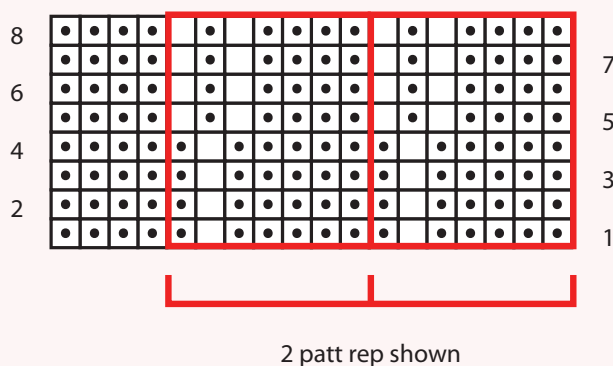
FINISHING

Join shoulder seams using a 3-ndl bind off. Sew sleeves into armholes. Sew sleeve and side seams.

Neck Trim

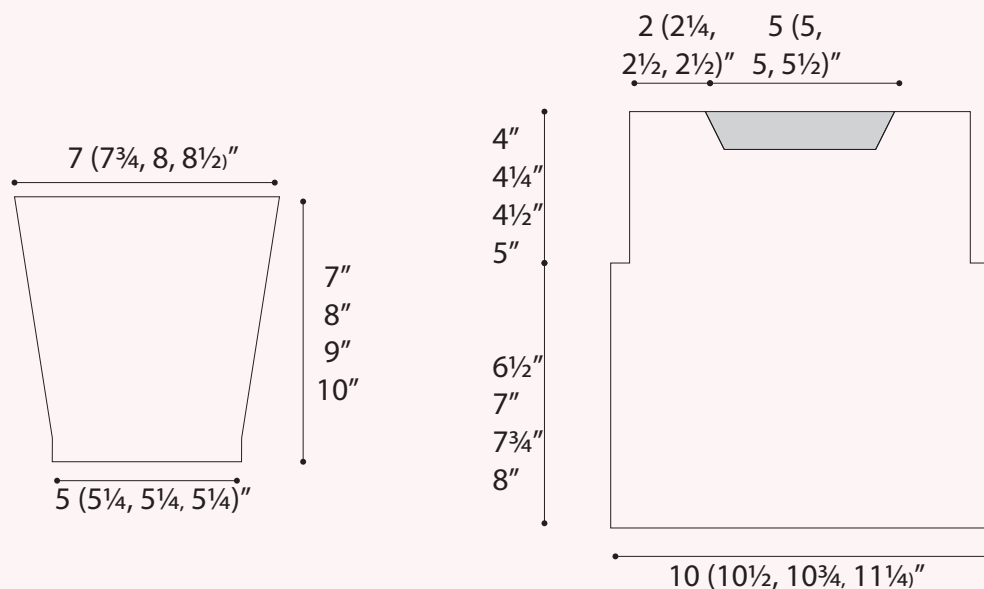
With dpns and RS facing, knit across 27 (27, 27, 30) sts on hold for back neck, pick up and knit 4 sts to front neck, knit across 27 (27, 27, 30) sts on hold for front neck, and pick up and knit 4 sts to beg – 62 (62, 62, 68) sts; pm and join. **Rnd 1:** * K1, p1; rep from * to end. Work even in 1 x 1 rib until trim measures 1". Bind off all sts loosely in patt. Weave in ends and block.

Seaside Chain Pattern



Key

- Knit on RS, purl on WS
- Purl on RS, knit on WS
- patt rep



3 Embraceable Baby Blanket

FINISHED MEASUREMENTS

Length: 31"

Width: 32"

MATERIALS

Universal Yarn Uptown DK (100% anti-pilling acrylic; 100g/273 yds)

- 114 Sea – 4 balls

Needles: US Size 6 (4 mm) 32" circular needle **or size to obtain gauge**

Notions: Cable needle, stitch markers, yarn needle

GAUGE

22 sts x 28 rows = 4" in patt st

Save time, check your gauge.

SPECIAL ABBREVIATIONS

4/4 Left Purl Cross (LPC): Sl 4 sts to cn and hold at front; p4, p4 from cn

Puckered Pattern

Multiples of 16 sts

Row 1 (RS): * K8, p8; rep from * to end.

Row 2: * K8, p8; rep from * to end.

Rows 3-8: Rep rows 1-2.

Row 9: * LPC, k8; rep from * to end.

Row 10: * P8, k8; rep from * to end.

Row 11: * P8, k8; rep from * to end.

Rows 12-15: Rep rows 10-11.

Row 16: Rep row 10.

Row 17: * K8, LPC; rep from * to end.

Row 18: Rep row 1.

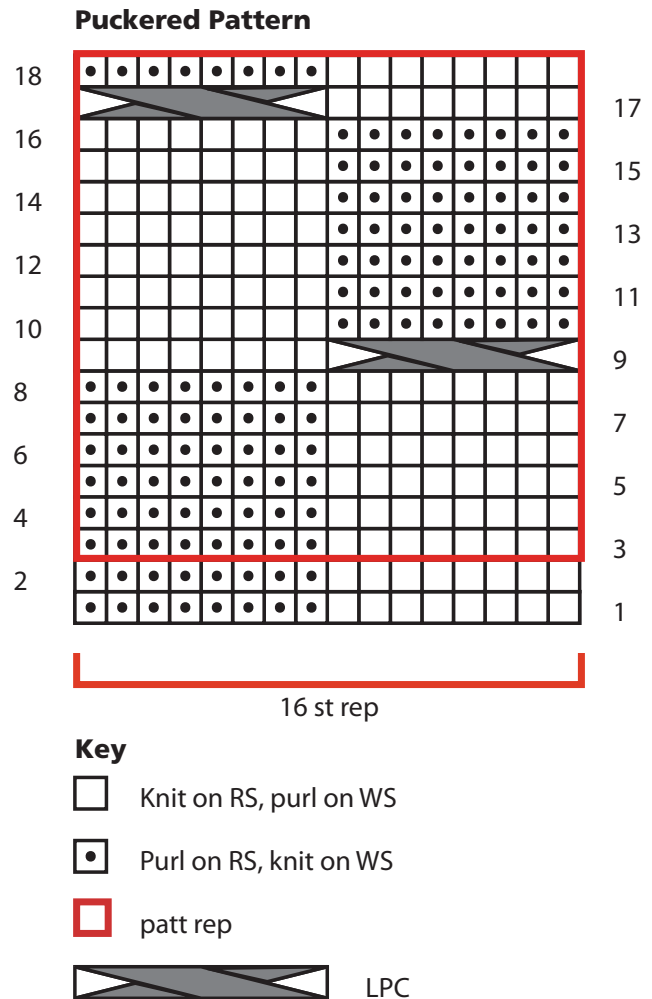
Rep rows 3-18 for patt.

BLANKET

Cast on 212 sts, do not join. **Row 1 (RS):** K2, work row 1 of puckered patt to last 2 sts, end k2. Cont in patt, maint 2-st Garter borders, through row 18. Cont in patt, rep rows 3-18, 13 more times. Bind off all sts in patt.

FINISHING

Weave in all ends and block.



5 Crayon Box Hat

SIZES

Hat is sized to fit 6-12 mo (12-18 mo, 18-24 mo).

Shown in 6-12 month size.

FINISHED MEASUREMENTS

Head Circumference: (16, 17, 18)"

Length: 6 (6¼, 6½)"

MATERIALS

Universal Yarn *Uptown DK Colors* (100% anti-pilling acrylic; 100g/273 yds)

- 70304 Summer Days – 1 ball, all sizes

Needles: US Size 6 (4 mm) straight needle **or size to obtain gauge**

Notions: Stitch markers, yarn needle

GAUGE

22 sts x 28 rows = 4" in St st

22 sts x 44 rows = 4" in garter st

Save time, check your gauge.

PATTERN NOTES

Hat is worked back and forth in Garter st and seamed.

HAT

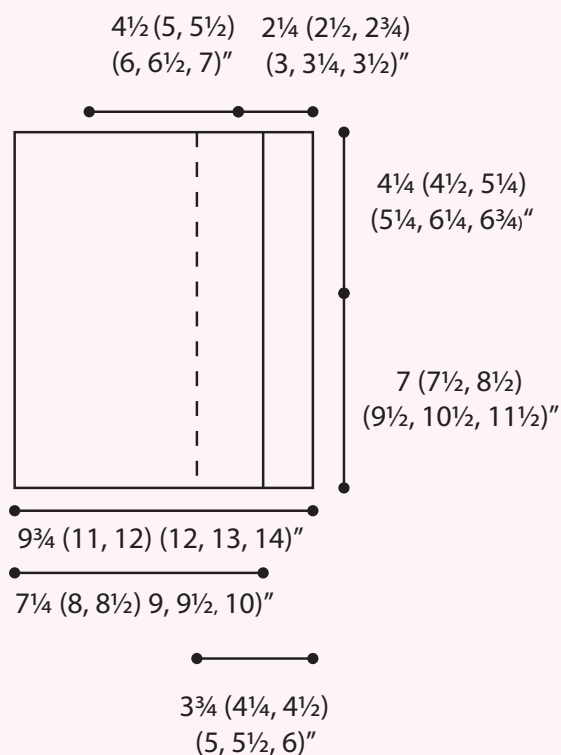
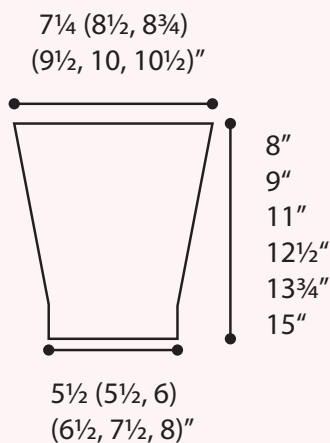
Cast on 90 (96, 102) sts. Work back and forth in garter st (knit every row) until hat measures 3¾" from cast-on. **Next row (RS):** K14 (15, 16), pm, * K15 (16, 17), pm; rep from * to last st, end k1. Knit 1 WS row.

Shape Crown

Dec row (RS): * Knit to 2 sts bef m, k2tog, sl m; rep from * to last st, end k1 – 6 sts dec'd. Knit 1 WS row. Rep these 2 rows, 11 (12, 13) more times – 18 sts rem. Break yarn, leaving a 12" tail.

FINISHING

Thread tail through yarn needle. Pass tail through rem sts, and fasten off. Sew sides seam. Weave in ends and block.



6 *Honey Bee Car Coat*

SIZES

Coat is sized to fit 6 (12, 18, 24) months (4, 6, 8) years
Shown in 4 year old size.

FINISHED MEASUREMENTS

Chest: 21 (22, 22½, 23) (24, 25½, 27)"

Length: 13 (13¾, 14½, 15½) (16¾, 18, 19½)"

Upper Arm: 9 (9½, 10, 11) (11½, 12, 13)"

MATERIALS

Universal Yarn *Uptown DK* (100% anti-pilling acrylic; 100g/273 yds)

- 116 Bachelor Blue –3 (3, 3, 3) (3, 4, 4) balls

Needles: US Size 8 (5 mm) straight needle and 16" circular needle (for neck trim) **or size to obtain gauge**

Notions: 5 (5, 5, 5) (6, 6, 6) - 5/8" buttons, cable needle, stitch markers, stitch holders, yarn needle

GAUGE

22 sts x 28 rows = 4" in patt st

Save time, check your gauge.

SPECIAL ABBREVIATIONS

Right Purl Cross (RPC): Sl 2 sts to cn and hold at back, k1, p2 from cn

Left Purl Cross (LPC): Sl 1 st to cn and hold at front, p2, k1 from cn

Honeycomb Stitch

Multiples of 6 sts

Row 1 (RS): * P2, k2, p2; rep from * to end.

Row 2: * K2, p2, k2; rep from * to end.

Rows 3-4: Rep rows 1-2.

Row 5: * RPC, LPC; rep from * to end.

Row 6: * P1, k4, p1; rep from * to end.

Row 7: * K1, p4, k1; rep from * to end.

Row 8: Rep row 6.

Row 9: * LPC, RPC; rep from * to end.

Row 10: Rep row 2.

Rep rows 1-10 for patt.

PATTERN NOTES

Instructions for buttonholes are given for placing them on the left front, which is the traditional "boy side". If the sweater is for a girl, you may want to place the buttonholes on the right front piece instead.

BACK

Cast on 58 (60, 62, 64) (66, 70, 74) sts. **Row 1 (RS):** * K1, p1; rep from * to end. Work even in 1 x 1 rib until piece measures 1", ending after a WS row.

Beg Patt

Row 1 (RS): P2 (0, 1, 2) (0, 2, 1), pm, work row 1 of honeycomb patt to last 2 (0, 1, 2) (0, 2, 1) sts, pm, purl to end. **Row 2:** Knit to m, sl m, work in patt to m, sl m, knit to end. Work even in patt as set until piece measures 8½ (9, 9½, 10) (11, 12, 13)", ending after a WS row.

Shape Armholes

At beg of next 2 rows, bind off 3 sts – 52 (54, 56, 58) (60, 64, 68) sts. Work even in patt until armholes measure 4½ (4¾, 5, 5½) (5¾, 6, 6½)", ending after a WS row. **Next row (RS):** Work across 12 (13, 14, 14) (15, 17, 17) sts, sl sts just worked to holder for right shoulder, bind off center 28 (28, 28, 30) (30, 30, 34) sts for neck, and work in patt across rem 12 (13, 14, 14) (15, 17, 17) sts, sl these sts to second holder for left shoulder.

RIGHT FRONT

Cast on on 35 (36, 37, 38) (39, 41, 43) sts. **Row 1 (RS):** * K1, p1; rep from * to last 1 (0, 1, 0) (1, 1, 1) st, end k1 (0, 1, 0) (1, 1, 1). **Row 2:** P1 (0, 1, 0) (1, 1, 1), * k1, p1; rep from * to end. Work even in 1 x 1 rib until piece measures 1", ending after a WS row.

Beg Patt

Row 1 (RS): [K1, p1] 3 times, pm, work row 1 of honeycomb patt to last 5 (0, 1, 2) (3, 5, 1) sts, pm, purl to end. **Next row:** Knit to m, sl m, work in patt to m, sl m, [k1, p1] 3 times. Cont in patt until front measures 8½ (9, 9½, 10) (11, 12, 13)", ending after a RS row.

Shape Armhole

Next row (WS): Bind off 3 sts, work to end – 32 (33, 34, 35) (36, 38, 40) sts. Work even in patt until armholes measure 2½ (2¾, 3, 3½) (3¾, 4, 4½)", ending after a WS row.

Shape Neck

Next row (RS): Bind off 7 (7, 7, 8) (8, 8, 10) sts, work to end – 25 (26, 27, 27) (28, 30, 30) sts. **Dec row (WS):** Work to last 3 sts, p2tog, p1 – 1 st dec'd. **Dec row (RS):** K1, k2tog, work to end – 1 st dec'd. Rep these 2 rows, 5 (5, 5, 5) (5, 6, 5) more times. *Sizes 6 (12, 18, 24) months (4, 8) years only:* Rep Dec row (WS). Work 1 RS row. *All Sizes:* 12 (13, 14, 14) (15, 17, 17) sts rem. Sl rem sts on holder.

LEFT FRONT

Cast on 35 (36, 37, 38) (39, 41, 43) sts. **Row 1 (RS):** * K1, p1; rep from * to last 1 (0, 1, 0) (1, 1, 1) st, end k1 (0, 1, 0) (1, 1, 1). **Row 2:** P1 (0, 1, 0) (1, 1, 1), * k1, p1; rep from * to end. Work even in 1 x 1 rib until piece measures 1", ending after a WS row.

Beg Patt

Row 1 (RS): P5 (0, 1, 2) (3, 5, 1), pm, work in row 1 of patt to last 6 sts, pm, [p1, k1] 3 times. **Row 2:** [P1, k1] 3 times, sl m, work next row of patt to m, knit to end. Cont in patt until front measures 8½ (9, 9½, 10) (11, 12, 13)", ending after a WS row. **At the same time, when front piece meas 1 1/2", begin buttonholes:** **Next row (RS):** Work to last 4 sts (in the middle of the ribbed edge), k2tog, yo, work to end. Maint rib patt, rep buttonhole row every 2 (2¼, 2½, 2¾) (2½, 2¾, 3)", 4 (4, 4, 4) (5, 5, 5) more times, cont to work buttonholes through armhole shaping.

Shape Armholes

Next row (RS): Bind off 3 sts, work to end – 32 (33, 34, 35) (36, 38, 40) sts. Work even in patt until armhole measures 2½ (2¾, 3, 3½) (3¾, 4, 4½)", ending after a RS row.

Shape Neck

Next row (WS): Bind off 7 (7, 7, 8) (8, 8, 10) sts, work to end – 25 (26, 27, 27) (28, 30, 30) sts. **Dec row (RS):** Work to last 3 sts, ssk, k1 – 1 st dec'd. **Dec row (WS):** P1, ssp, work to end – 1 st dec'd. Rep these 2 rows, 5 (5, 5, 5) (5, 6, 5) more times. *Sizes 6 (12, 18, 24) months (4, 8) years only:* Rep Dec row (RS). Work 1 WS row. *All Sizes:* 12 (13, 14, 14) (15, 17, 17) sts rem. Sl rem sts on holder.

SLEEVES

Cast on 32 (34, 34, 38) (40, 44, 44) sts. **Row 1 (RS):** * K1, p1; rep from * to end. Work even in 1 x 1 rib patt until piece measures 1", ending after a WS row.

Beg Patt & Shape Sleeve

Row 1 (RS): P1 (2, 2, 1) (2, 1, 1), work row 1 of honeycomb patt to last 1 (2, 2, 1) (2, 1, 1) sts, purl to end. **Row 2:** K1 (2, 2, 1) (2, 1, 1), work in patt to last 1 (2, 2, 1) (2, 1, 1) sts, knit to end.

Inc row (RS): P1, m1, work in patt to last st, m1, p1 – 2 sts inc'd. Work even in patt for 3 (3, 3, 3) (5, 5, 5) rows. Rep these 4 (4, 4, 4) (6, 6, 6) rows, 7 (7, 9, 9) (10, 9, 12) more times, maint incs as rev St st until there are enough sts to incorporate into patt st. Rep Inc row once more – 50 (52, 56, 60) (64, 66, 72) sts. Work even in patt until Sleeve measures 7 (8, 9, 10) (11½, 12½, 14)" , ending after a WS row. Bind off all sts.

FINISHING

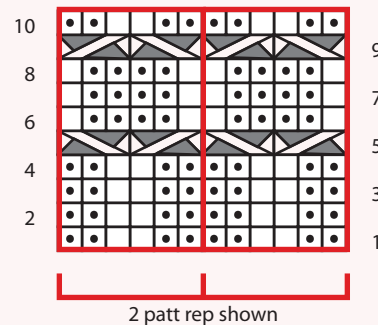
Join shoulders using a 3-ndl bind off. Sew sleeves into armholes. Sew sleeve and side seams.

Neck Trim

With circular ndl and RS facing, beg at right front neck edge pick up and knit 20 (21, 21, 22) (22, 23, 24) sts along right front neck edge, 28 (28, 28, 30) (30, 30, 34) sts along back neck edge, and 20 (21, 21, 22) (22, 23, 24) sts along left front neck edge – 68 (70, 70, 74) (74, 76, 82) sts. **Row 1 (WS):** * K1, p1; rep from * to end. Work even in 1 x 1 rib until trim measures 1½" from pickup. Bind off all sts in patt.

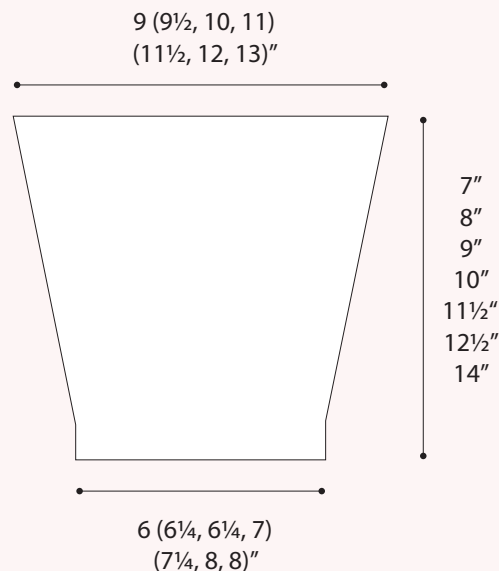
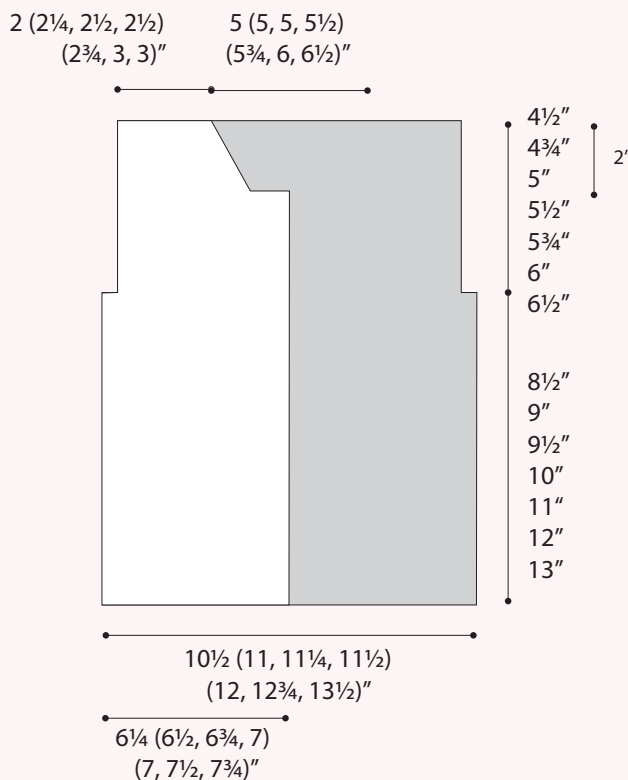
Weave in ends and block. Sew a button opposite each buttonhole.

Honeycomb Stitch



Key

- Knit on RS, purl on WS
- Purl on RS, knit on WS
- RPC
- LPC
- patt rep



7 Twists Cabled Vest

SIZES

Vest is sized for 3 (6, 12) & (2, 4, 6) years
Sample shown is knit in the 6 months size.

FINISHED MEASUREMENTS

Chest: 18¼ (19, 19¾) (21½, 23, 23¾)"

Length: 9½ (10¼, 11½) (12¼, 13¼, 14½)"

MATERIALS

Universal Yarn *Uptown DK* (100% anti-pilling acrylic; 100g/273 yds)

- 108 Lavender – 1 (1, 1) (2, 2, 2) ball(s)

Needles: US 7 (4.5 mm) 16" circular needle and dpns **or** size to obtain gauge

Notions: Stitch markers, cable needle, stitch holders, yarn needle

GAUGE

20 sts and 26 rows = 4" in St st

1 cable panel = 1½" wide

Save time, check your gauge.

Cable Panel (in rnds)

Panel of 10 sts

Rnds 1-6: P2, k6, p2.

Rnd 7: P2, [sl 3 sts to cn, hold at back of work, k3, k3 from cn], p2.

Rnd 8: Rep rnd 1.

Rep rnds 1-8 for patt.

Cable Panel (in rows)

Panel of 10 sts

Row 1 (RS): P2, k6, p2.

Row 2 (and all even numbered rows): K2, p6, k2.

Rows 3 and 5: Rep Row 1.

Row 7: P2, [sl 3 sts to cn, hold at back of work, k3, k3 from cn], p2.

Row 8: K2, p6, k2.

Rep rows 1-8 for patt.

VEST

Body

With circular ndl, cast on 96 (100, 104) (112, 120, 124) sts.

Pm and join for working in the rnd, being careful not to

twist. **Rnd 1:** * K1 tbl, p1; rep from * around. Work even in

Twisted 1 x 1 rib until piece measures 1½". **Next rnd:** K48 (50, 52) (56, 60, 62) sts, pm, k5 (6, 7) (8, 9, 10) sts, work rnd 1 of cable panel across 10 sts, k18 (18, 18) (20, 22, 22) sts, work rnd 1 of cable panel across 10 sts, k5 (6, 7) (8, 9, 10) sts. Work even in patt as set until piece measures 5¼ (5¾, 6½) (6¾, 7¼, 8)" from beg.

Divide for Armholes

Next row (RS): Bind off 3 (3, 2) (3, 3, 3) sts, knit to marker, turn. Sl rem 48 (50, 52) (56, 60, 62) unworked sts to holder for front.

Back

Next row (WS): Bind off 3 (3, 2) (3, 3, 3) sts, purl to end – 42 (44, 48) (50, 54, 56) sts rem. Work even in St st until armhole measures 4¼ (4½, 5) (5½, 6, 6½)", ending after a WS row. Bind off all sts.

Front

Sl sts from holder to ndls. With RS facing, join yarn. At beg of next 2 rows, bind off 3 (3, 2) (3, 3, 3) sts – 42 (44, 48) (50, 54, 56) sts rem. Work even in St st until armhole measures 1½ (1¾, 2¼) (2¾, 3¼, 3¾)", ending after a WS row.

Shape Neck

Next row (RS): Work in patt across 18 (19, 21) (22, 24, 25) sts, k2tog, k1, sl rem 21 (22, 24) (25, 27, 28) sts to holder and turn. **Left neck only:** Work 1 WS row in patt. **Dec row (RS):** Knit to last 3 sts, end ssk, k1 – 1 st dec'd. Rep these 2 rows, 7 (7, 8) (8, 9, 9) more times – 12 (13, 14) (15, 16, 17) sts rem. Work even in patt until armhole measures 4¼ (4½, 5) (5½, 6, 6½)", ending after a WS row. Bind off rem sts. **Right neck:** With RS facing, join yarn. **Dec row (RS):** K1, k2tog, work in patt to end – 1 st dec'd. Work 1 WS row in patt. Rep these 2 rows, 7 (7, 8) (8, 9, 9) more times – 12 (13, 14) (15, 16, 17) sts rem. Work even in patt until armhole measures 4¼ (4½, 5) (5½, 6, 6½)", ending after a WS row. Bind off rem sts.

FINISHING

Sew right shoulder seam.

Neckband

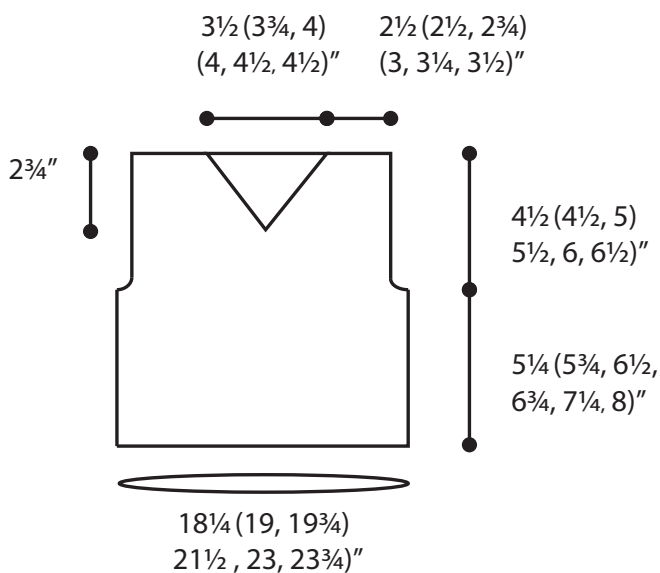
With RS facing and beg at left front shoulder edge, pick up and knit 12 (12, 14) (14, 16, 16) sts down left front neck, 1 st

at base of neck (place marker in this st), 12 (12, 14) (14, 16, 16) sts to right shoulder seam, and 17 (17, 19) (19, 21, 21) sts across back neck – 42 (42, 48) (48, 54, 54) sts; pm and join to work in the rnd. **Next rnd:** * K1, p1; rep from * to end.

Dec rnd: Work in patt to 1 st before marked st, sl 1, k2tog, pssso, work in rib to end – 2 sts dec'd. Rep these 2 rnds, once. Bind off all sts loosely in patt, (neck edge should be stretchy). Sew left shoulder seam including neckband.

Armbands

With RS facing and dpns, starting at shoulder seam, pick up and knit 44 (46, 50) (56, 60, 66) sts around armhole; pm and join to work in the rnd. Work in k1, p1 ribbing for 4 rnds. Bind off all sts loosely in patt. Weave in all ends and block.



8 Simple Textures Baby Blanket

FINISHED MEASUREMENTS

Length: 26"

Width: 33"

MATERIALS

Universal Yarn Uptown DK (100% anti-pilling acrylic; 100g/273 yds)

- 102 Lily – 4 balls

Needles: US 8 (5 mm) 24" or longer circular needle **or size to obtain gauge**

Notions: Stitch markers, yarn needle

GAUGE

15 sts and 27 rows = 4" in patt st

Save time, check your gauge.

BLANKET

Cast on 140 sts. **Row 1 (RS):** Knit. Work even in Garter st for 9 more rows.

Beg Patt St

Row 1 (RS): K8, pm, * k1, p1; rep from * to last 8 sts, pm, end k8. **Row 2:** K8, sl m, * k1, p1; rep from * to last 8 sts, end sl m, k8. **Rows 3-4:** Knit. Rep rows 1-4 until piece meas $24\frac{1}{4}$ ", ending after row 2 of patt. **Next row (RS):** Knit. Work even in Garter st for 9 more rows. Bind off all sts loosely.

FINISHING

Weave in all ends.

9 Little Prince Vest

SIZES

Vest is sized to fit 6 (12, 18, 24) months (4, 6, 8) years.
Shown in 12 month size.

FINISHED MEASUREMENTS

Chest: 20 (21½, 22½, 24½) (25, 26, 28)“

Length: 11¾ (12¼, 13, 14) (15½, 17, 18½)“

MATERIALS

Universal Yarn *Uptown DK* (100% anti-pilling acrylic; 100g/273 yds)

- 130 Donahue – 1 (1, 1, 2) (2, 2, 2) ball (s)

Needles: US Size 8 (5 mm) straight needle and dpns **or size to obtain gauge**

Notions: Removable stitch markers, stitch holders, yarn needle

GAUGE

18 sts x 24 rows = 4“ in patt st

Save time, check your gauge.

Diamonds Pattern

Multiples of 8 sts + 1

Row 1 (RS): Knit.

Row 2: Purl.

Row 3: * K4, p1, k3; rep from * to last st, end k1.

Row 4: P1, * p2, k1, p1, k1, p3; rep from * to end.

Row 5: * K2, p1, k3, p1, k1; rep from * to last st, end k1.

Row 6: P1, * k1, p5, k1, p1; rep from * to end.

Row 7: * P1, k7; rep from * to last st, end p1.

Row 8: Rep row 6.

Row 9: Rep row 5.

Row 10: Rep row 4.

Rep rows 3-10 for patt.

BACK

With straight ndls, cast on 45 (49, 51, 55) (57, 59, 63) sts.

Row 1 (RS): * K1, p1; rep from * to last st, end k1. **Row 2:**

P1, * k1, p1; rep from * to end. Work even in 1 x 1 rib until piece measures 1½“ from cast-on, ending after a WS row.

Beg Patt

Row 1 (RS): K2 (0, 1, 3) (0, 1, 3) sts, work row 1 of diamonds patt to last 2 (0, 1, 3) (0, 1, 3) sts, knit to end.

Row 2: P2 (0, 1, 3) (0, 1, 3), work next row of diamonds patt to last 2 (0, 1, 3) (0, 1, 3), purl to end. Cont in patt, maint St st borders, until piece measures 7 (7½, 8, 8½) (9½, 10½, 11½)“ from cast-on, ending after a WS row.

Shape Armholes

At beg of next 2 rows, bind off 2 (2, 2, 3) (2, 2, 3) sts – 41 (45,

47, 49) (53, 55, 57) sts rem. Work even in patt until armhole measures 4¾ (4¾, 5, 5½) (6, 6½, 7)“, ending after a WS row. Sl first 9 (10, 11, 11) (13, 14, 14) sts to hold for shoulder, center 23 (25, 25, 27) (27, 27, 29) sts to hold for neck, and rem 9 (10, 11, 11) (13, 14, 14) sts to hold for second shoulder.

FRONT

Work as for back until piece measures 7 (7½, 8, 8½) (9½, 10½, 11½)“ from cast on, ending after a WS row. Count across row 22 (24, 25, 27) (28, 29, 31) sts, mark next st as center st.

Shape Neck

Next row (RS): Bind off 2 (2, 2, 3) (2, 2, 3) sts, work to marked center st, place these 20 (22, 23, 24) (26, 27, 28) sts to hold, attach new ball of yarn, bind off center st, work in patt to end.

Right Front Neck

Next row (WS): Bind off 2 (2, 2, 3) (2, 2, 3) sts, work to end – 20 (22, 23, 24) (26, 27, 28) sts. **Dec row (RS):** K1, k2tog, work to end – 1 st dec'd. Work 1 WS row in patt. Rep these 2 rows, 10 (9, 8, 8) (7, 4, 6) more times. Rep Dec row. Work even in patt for 3 rows. Rep these 4 rows, 0 (1, 2, 3) (4, 7, 6) times – 8 (10, 11, 11) (13, 14, 14) sts rem. Sl rem sts to hold for right shoulder.

Left Front Neck

Sl held sts to ndl. With WS facing, join yarn and work 1 WS row. **Dec row (RS):** Work to last 3 sts, ssk, k1 – 1 st dec'd. Work 1 WS row. Rep these 2 rows, 10 (9, 8, 8) (7, 4, 6) more times. Rep Dec row. Work even in patt for 3 rows. Rep these 4 rows, 0 (1, 2, 3) (4, 7, 6) more times – 9 (10, 11, 11) (13, 14, 14) sts rem. Work even in patt until armhole measures 4¾ (4¾, 5, 5½) (6, 6½, 7)“, ending after a WS row. Sl rem sts to hold for left shoulder.

FINISHING

Join shoulders using a 3-ndl bind off. Sew side seams.

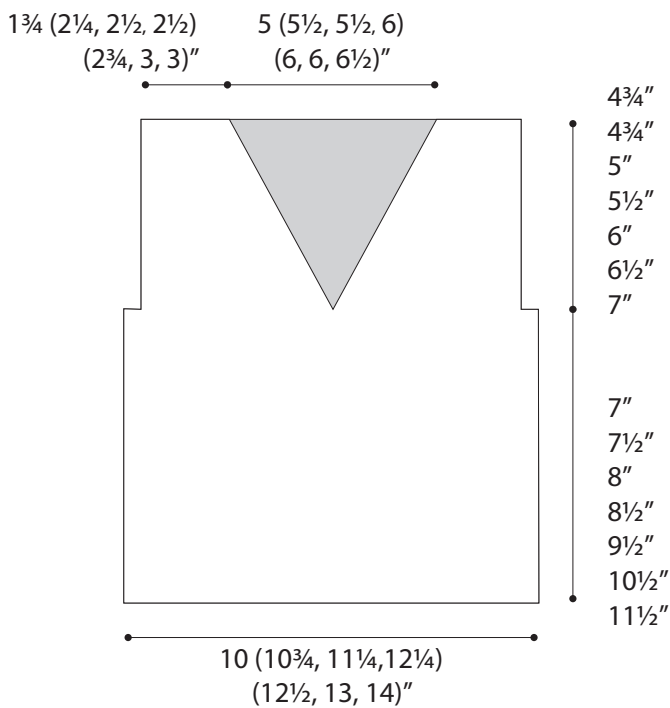
Arm Bands

With dpns and RS facing, beg at center of underarm pick up and knit 32 (36, 40, 42) (46, 50, 52) sts; pm and join to work in the round. **Rnd 1:** * K1, p1; rep from * to end. Work even in 1 x 1 rib until band measures 1“. Bind off all sts loosely in patt.

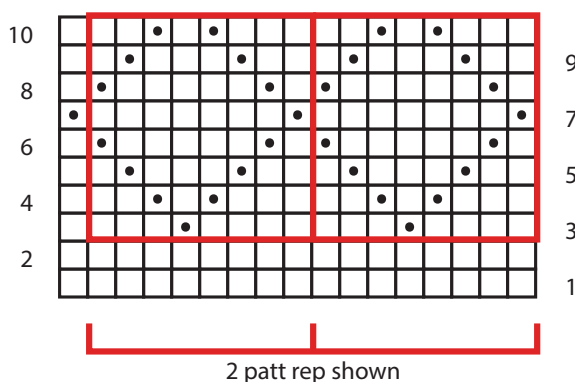
Neckband

With dpns and RS facing, beg at right shoulder seam, knit across 23 (25, 25, 27) (27, 27, 29) sts on hold for back neck, pick up and knit 20 (21, 23, 25) (27, 29, 31) sts down left side of neck, 1 st from bound off center neck st (mark this

st), 20 (21, 23, 25) (27, 29, 31) sts up right side of neck – 64 (68, 72, 78) (82, 86, 92) sts; pm and join. **Dec rnd:** * K1, p1; rep from * to 1 st before m, sl 1, k2tog, pss0, work in 1 x 1 rib patt to end – 2 sts dec'd. Rep this rnd until neckband measures 1" from pickup. Bind off all sts loosely in patt. Weave in ends and block.



Diamonds Pattern



Key

- Knit on RS, purl on WS
- Purl on RS, knit on WS
- patt rep

10 Baby's First Cap and Mitts

SIZES

Hat & Mitts are sized for newborn (3, 6, 12, 24) months. Sample shown is knit in the 6 months size.

FINISHED MEASUREMENTS

Head Circumference: 13 (14 1/4, 15 1/4, 16 1/2, 17 1/2)"

Hand Circumference: 4 1/2 (4 3/4, 5, 5 1/2, 5 3/4)"

MATERIALS

Universal Yarn *Uptown DK* (100% anti-pilling acrylic; 100g/273 yds)

- 70314 Leap Frog – 1 ball, all sizes, for both hat & mitts

Needles: US 6 (4 mm) 16" circular and dpns **or size to obtain gauge**

Notions: Size G-6 (4 mm) crochet hook (for drawstring on mitts), stitch markers, yarn needle

GAUGE

22 sts and 28 rows = 4" in Twisted St st

Save time, check your gauge.

Twisted St st (in rnds)

Rnd 1: Knit every st tbl.

Rep rnd 1 for patt.

Twisted 1 x 1 Rib (in rnds)

Rnd 1: * K1 tbl, p1; rep from * around.

Rep rnd 1 for patt.

HAT

Note: Hat is worked from the top down. Change to circular ndls when necessary.

With dpns, cast on 6 sts. Divide sts evenly between three ndls, pm and join for working in the rnd, being careful not to twist sts. **Rnd 1:** * Kfb; rep from * around – 12 sts. **Rnd 2:** Work even in Twisted St st. **Rnd 3:** * Yo, k2tbl, pm; rep from * around – 6 sts inc'd, 18 sts. **Rnd 4:** Rep rnd 2. **Inc rnd:** * Yo, knit each st tbl to m, sl m; rep from * around – 6 sts inc'd. Work even even in Twisted St st for 1 rnd. Rep these 2 rnds, 8 (9, 10, 11, 12) more times – 72 (78, 84, 90, 96) sts.

10 *Baby's First Cap and Mitts* continued

Ribbed Band

Work even in Twisted 1 x 1 rib until band measures 2½". Bind off all sts loosely in rib.

FINISHING

Weave in all ends.

MITTEN (Make 2)

With dpns, cast on 24 (26, 28, 30, 32) sts. Divide sts evenly between three ndls, pm and join for working in the rnd, being careful not to twist sts. **Rnd 1:** Knit. **Rnd 2:** Purl. Rep these 2 rnds, 4 more times. **Eyelet Rnd:** * Yo, k2tog; rep from * to end. **Next rnd:** Knit each st tbl. Work even in Twisted St st until piece measures 3 (3¼, 3½, 4, 4¼)".

Shape Tip

Rnd 1: * K1 tbl, k2tog; rep from * to last 0 (2, 1, 0, 2) sts, end k0 (2, 1, 0, 2) tbl – 16 (18, 19, 20, 22) sts. **Rnds 2 & 4:** Knit each st tbl. **Rnd 3:** K0 (0, 1, 0, 0) tbl, * k2tog; rep from * around – 8 (9, 10, 10, 11) sts rem. **Rnd 5:** * K2tog; rep from * to last 0 (1, 0, 0, 1) st, end k1 tbl – 4 (5, 5, 5, 6) sts rem. Break yarn leaving a 12" tail, thread tail through rem sts, and pull tightly.

FINISHING

Drawstring (Make 2)

With crochet hook, ch 48; fasten off. Weave drawstring through Eyelet Rnd and tie in a bow. Weave in all ends.

11 *Counting Sheep Blanket*

FINISHED MEASUREMENTS

Length: 31"

Width: 32"

MATERIALS

Universal Yarn Uptown DK (100% anti-pilling acrylic; 100g/273 yds)

- 104 Bashful – 3 balls

Needles: US Size 6 (4 mm) 32" circular needle **or size to obtain gauge**

Notions: Stitch markers, yarn needle

GAUGE

22 sts x 28 rows = 4" in patt st

Save time, check your gauge.

Seed Stitch

Even number of sts

Row 1: * K1, p1; rep from * to end.

Row 2: * P1, k1; rep from * to end.

Rep rows 1-2 for patt.

Zig-Zag Seed Stitch

Multiples of 10 sts

Row 1 (RS): * K5, [p1, k1] twice, p1; rep from * to end.

Row 2: * P1, [k1, p1] twice, k1, p4; rep from * to end.

Row 3: * K3, [p1, k1] twice, p1, k2; rep from * to end.

Row 4: * P3, [k1, p1] twice, k1, p2; rep from * to end.

Row 5: * K1, [p1, k1] twice, p1, k4; rep from * to end.

Row 6: * P5, [k1, p1] twice, k1; rep from * to end.

Row 7: Rep row 5

Row 8: Rep row 4.

Row 9: Rep row 3.

Row 10: Rep row 2.

Rep rows 1-10 for patt.

BLANKET

Cast on 170 sts; do not join. **Row 1 (RS):** * K1, p1; rep from * to end. Work even in seed st for 13 more rows.

12 Pastel Posy Hoodie

SIZES

Hoodie is sized to fit 12 (18, 24) months (4, 6, 8) years
Shown in 4 year old size

FINISHED MEASUREMENTS

Chest: 20½ (21, 22) (23, 25, 26)"
Length: 11¼ (12, 12¾) (14, 15½, 17)"
Upper Arm: 8½ (8¾, 9, 9¾, 10½, 11)"

MATERIALS

Universal Yarn *Uptown DK* (100% anti-pilling acrylic; 100g/273 yds)

- 103 Blush (A) – 1 (1, 1) (1, 2, 2) ball(s)
- 108 Lavender (B) – 1 (1, 1) (1, 2, 2) balls

Needles: US Size 6 (4 mm) straight needle and dpns **or size to obtain gauge**

Notions: stitch markers, stitch holders, yarn needle

GAUGE

22 sts x 28 rows = 4" in St st

Save time, check your gauge.

Large Stripe Sequence (worked in St st)

* With A, 16 rows; with B, 16 rows; rep from *

Small Stripe Sequence (worked in St st)

* With A, 2 rows; with B, 2 rows; rep from *

BACK

With B & straight ndls, cast on 56 (58, 60) (64, 68, 72) sts.

Row 1 (RS): * K1, p1; rep from * to end. Work even in 1 x 1 rib until piece measures 1¾", ending after a WS row. **Next row (RS):** With A, knit. Work even in large stripe sequence and St st until piece measures 7 (7½, 8) (9, 10, 11)" from cast-on, ending after a WS row.

Shape Armholes

At beg of next 2 rows, bind off 2 (2, 2) (2, 3, 3) sts, cont in large stripe sequence and St st – 52 (54, 56) (60, 62, 66) sts rem. Work even until armholes measure 4¼ (4½, 4¾) (5, 5½, 6)", ending after a WS row. Sl 12 (13, 13) (15, 16, 16) sts to hold for right shoulder, 28 (28, 30) (30, 30, 34) sts to hold for back neck, and rem 12 (13, 13) (15, 16, 16) sts to hold for left shoulder.

FRONT

Work as for back until armholes measure 2¼ (2½, 2¾) (3, 3½, 4)", ending after a WS row.

Shape Neck

Place markers on either side of center 14 (14, 16) (16, 16, 20) sts.

Next row (RS): K16 (17, 17) (19, 20, 20) sts, ssk, k1, sl these 18 (19, 19) (21, 22, 22) sts to hold, join new ball of yarn and bind off 14 (14, 16) (16, 16, 20) sts, k2tog, k16 (17,

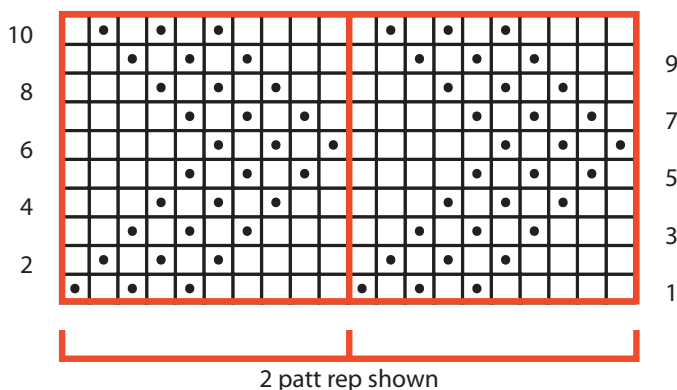
Beg Patt

Row 1 (RS): Work next 10 sts in seed st, pm, work row 1 of zig-zag seed st to last 10 sts, end pm, work in seed st to end. Cont in patt, maint 10-st seed st borders, until blanket measures 29", ending after a row 10 of patt. Remove markers. **Next row (RS):** * K1, p1; rep from * to end. Work even in seed st for 13 rows. Bind off all sts in patt.

FINISHING

Weave in all ends and block.

Zig-zag Seed Stitch



Key

- Knit on RS, purl on WS
- Purl on RS, knit on WS
- patt rep

12 *Pastel Posy Hoodie* continued

17) (19, 20, 20) sts. **Right Shoulder only:** Work 1 WS row. **Dec row (RS):** K1, k2tog, knit to end – 1 st dec'd. Purl 1 WS row. Rep these 2 rows, 5 more times – 12 (13, 13) (15, 16, 16) sts rem. Sl sts to hold **Left Shoulder:** Work 1 WS row. **Dec row (RS):** Knit to 3 sts before end, ssk, k1 – 1 st dec'd. Work 1 WS row. Rep these 2 rows, 5 more times. Sl rem 12 (13, 13) (15, 16, 16) sts to hold.

SLEEVES

With B, cast on 36 (38, 40) (42, 44, 44) sts. **Row 1 (RS):** * K1, p1; rep from * to end. Work even in 1 x 1 rib until cuff measures 1¾", ending after a WS row. **Note:** Work in small stripe sequence & St st for remainder of sleeve. **Inc row (RS):** K1, m1, knit to last st, end m1, k1 – 2 sts inc'd. Work even in St st for 5 (7, 9) (9, 9, 9) more rows. Rep these 6 (8, 10) (10, 10, 10) rows, 3 (3, 3, 4, 5, 6) more times. Rep Inc row once more – 46 (48, 50) (54, 58, 60) sts. Work even in small stripe sequence and St st until sleeve measures 7 (8, 9) (10 1/2, 11 3/4, 13)" from cast on, ending after a WS row.

Shape Sleeve Cap

At beg of next 2 rows, bind off 2 (2, 2) (2, 3, 3) sts – 42 (44, 46, 50, 52, 54) sts rem. **Dec row (RS):** K1, k2tog, knit to last 3 sts, ssk, k1 – 2 sts dec'd. Purl 1 WS row. Rep these 2 rows, 8 (9, 10) (11, 13, 14) more times. At beg of next 2 rows, bind off 3 sts. At beg of foll 2 rows, bind off 3 (3, 3) (4, 3, 3) sts. Bind off rem 12 sts.

HOOD

Right half

With B, cast on 33 (33, 35) (35, 35, 39) sts. Work even in large stripe sequence & St st until piece measures 7½ (8, 8) (8½, 8½, 9)", ending after a WS row. **Dec row (RS):** Knit to last 3 sts, end ssk, k1 – 1 st dec'd. Purl 1 WS row. Rep these 2 rows, 6 more times. Sl rem 26 (26, 28) (28, 28, 30) sts to hold.

Left half

Work as for right half until piece measures 7½ (8, 8) (8½, 8½, 9)", ending after a WS row. **Dec row (RS):** K1, k2tog, knit to end – 1 st dec'd. Purl 1 WS row. Rep these 2 rows, 6 more times. Sl rem 26 (26, 28) (28, 28, 30) sts to hold.

FINISHING

Join shoulder seams using a 3-ndl bind off. Set in sleeves. Sew sleeve and side seams. Join right and left halves of hood tog with 3 needle bind off. Sew back seam of hood.

Neck Trim

With dpns, B, and RS facing, beg at right shoulder seam pick up and knit 70 (70, 74) (74, 74, 82) sts evenly around neck edge; pm and join to work in the rnd. Work in k1, p1 ribbing for 2 rows. Bind off all sts kwise, loosely.

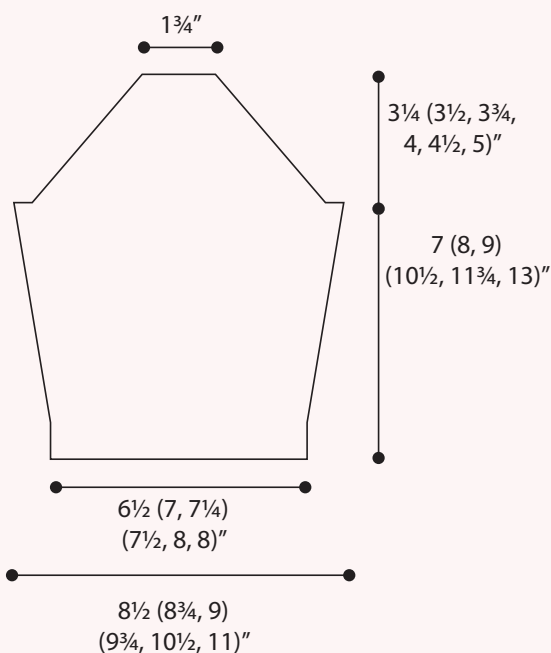
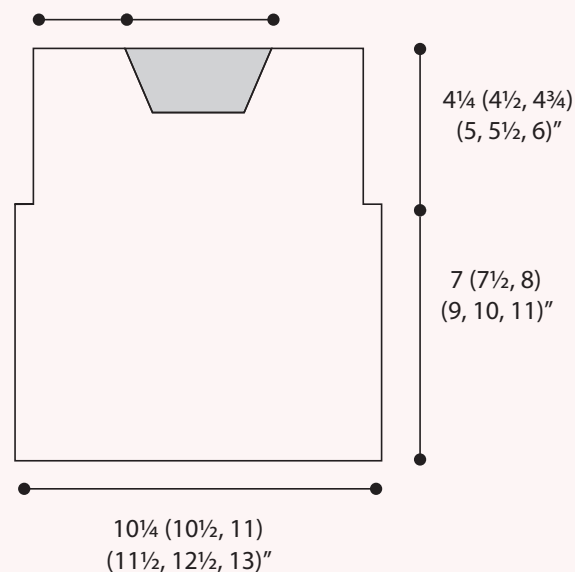
Hood Trim

With RS facing, beg at lower right edge, pick up and knit 105 (111, 111) (115, 115, 121) sts evenly around hood opening.

Row 1 (RS): * K1, p1; rep from * to last st, end k1. **Row 2 (WS):** P1, * k1, p1; rep from * to end. Rep these 2 rows, twice. Bind off all sts kwise, loosely.

Sew hood to neck opening, inside neck trim, aligning hood seam to center back neck, and leaving a 1" gap bet front hood edges at front neck. Weave in ends and block.

2¼ (2½, 2½) 5 (5, 5½)
(2¾, 3, 3)" (5½, 5½, 6¼)"



13 Jelly Bean Cardigan

SIZES

Cardigan is sized to fit 12 (18, 24) months (4, 6, 8) years
Shown in 6 year old size.

FINISHED MEASUREMENTS

Chest: 22 (22½, 23) (24, 25½, 27)"

Length: 12½ (13¼, 14¼) (15¾, 17¼, 18¾)"

Upper Arm: 9 (9½, 9¾) (10½, 11, 11½)"

MATERIALS

Universal Yarn Uptown DK (100% anti-pilling acrylic; 100g/273 yds)

- 111 Lime – 2 (2, 2) (3, 3, 4) balls

Needles: US Sizes 6 (4 mm) & 10 (6 mm) straight needles **or** size to obtain gauge

Notions: 4 – ½" buttons, stitch holders, yarn needle, sewing needle and thread

GAUGE

22 sts x 28 rows = 4" in St st with smaller ndls and one strand of yarn

15 sts x 20 rows = 4" in St st with larger ndls and two strands of yarn held tog

Save time, check your gauge.

PATTERN NOTES

The collar and lower portion of this cardigan are worked holding two strands of yarn together; sleeves and upper body are worked with a single strand.

BACK

With larger ndls and 2 strands of yarn held together, cast on 60 (62, 64) (66, 70, 74) sts. **Row 1 (WS):** * K1, p1; rep from * to end. Work even in 1 x 1 rib until piece measures 1", ending after a WS row. **Next row (RS):** Knit. Work even in St st until measures 8 (8½, 9) (10, 11, 12)" from cast-on, ending after a WS row.

Shape Armholes

At beg of next 2 rows, bind off 3 sts – 54 (56, 58) (60, 64, 68) sts rem. **Next row (RS):** With smaller ndls and 1 strand of yarn, knit. Work even in St st until armholes measure 3½ (3¾, 4¼) (4¾, 5¼, 5¾)" , ending after a WS row. **Next row (RS):** K13 (14, 15) (15, 17, 17) sts, sl these sts to hold for right shoulder, attach new ball of yarn and bind off center 28 (28, 28, 30, 30, 34) sts for neck, knit to end—13 (14, 15) (15, 17, 17) sts rem for each shoulder. *Left Shoulder only:* Purl 1 row (WS). Work even in St st until armhole measures 4½ (4¾, 5¼) (5¾, 6¼, 6¾)" , ending after a WS row. Sl sts to hold. *Right Shoulder:* Work as for left shoulder.

LEFT FRONT

With larger ndls and 2 strands of yarn held tog, cast on 30 (31, 32, 33, 35, 37) sts. **Row 1 (RS):** * K1, p1; rep from * to last 0 (1, 0)

(1, 1, 1) st, end k0 (1, 0) (1, 1, 1). **Row 2:** P0 (1, 0) (1, 1, 1), * k1, p1; rep from * to end. Work even in 1 x 1 rib until piece measures 1", ending after a WS row. **Next row (RS):** Knit to last 4 sts, end [p1, k1] twice. Maint 4-st 1 x 1 rib border, work even in St st until piece measures 8 (8½, 9) (10, 11, 12)" , ending after a WS row. **AT THE SAME TIME,** place buttonholes as foll: **Buttonhole row (RS):** Knit to last 4 sts, p1, k2tog, yo, k1, placing first buttonhole when piece measures 1¼ (1, ¾) (1, 1, ¾)" , second buttonhole 2¼ (2½, 2¾) (3, 3½, 3¾)" from prev buttonhole, third buttonhole 2¼ (2½, 2¾) (3, 3, 3¾)" from prev buttonhole, and fourth buttonhole 2¼ (2½, 2¾) (3, 3, 3¾)" from prev buttonhole.

Shape Armhole

At beg of next row (RS), bind off 3 sts, work to end – 27 (28, 29) (30, 32, 34) sts rem. Work 1 WS row. **Next row (RS):** With smaller ndls and 1 strand of yarn, knit to last 4 sts, [p1, k1] twice. Work even in St st, maint 1 x 1 rib border, until piece measures 2¼ (2½, 3, 3¼, 3½, 3½)" , ending after a RS row.

Shape Neck

Next row (WS): Bind off 6 sts, work to end – 21 (22, 23) (24, 26, 28) sts rem. **Dec row (RS):** Knit to last 3 sts, ssk, k1 – 1 st dec'd. Purl 1 WS row. Rep these 2 rows, 7 (7, 7) (8, 8, 9) more times. Sl rem 13 (14, 15, 15, 17, 17) sts to hold.

Right Front

With larger ndls and 2 strands of yarn held tog, cast on 30 (31, 32, 33, 35, 37) sts. **Row 1 (RS):** * K1, p1; rep from * to last 0 (1, 0) (1, 1, 1) st, end k0 (1, 0) (1, 1, 1). **Row 2:** P0 (1, 0) (1, 1, 1), * k1, p1; rep from * to end. Work even in 1 x 1 rib until piece measures 1", ending after a WS row. **Next row (RS):** [K1, p1] twice, knit to end. Work in St st, maint 1 x 1 rib border at start of row, until piece measures 8 (8½, 9) (10, 11, 12)" , ending after a RS row.

Shape Armhole

Next row (WS): Bind off 3 sts, work to end – 27 (28, 29) (30, 32, 34) sts rem. **Next row (RS):** With smaller ndls and single strand, work in patt across. Work even until piece measures 2¼ (2½, 3) (3¼, 3½, 3½)" , ending after a WS row.

Shape Neck

Next row (RS): Bind off 6 sts, work to end – 21 (22, 23) (24, 26, 28) sts rem. Work 1 WS row. **Dec row (RS):** K1, k2tog, knit to end – 1 st dec'd. Work 1 WS row. Rep these 2 rows, 7 (7, 7) (8, 8, 9) more times. Sl rem 13 (14, 15, 15, 17, 17) sts to hold.

SLEEVES

With smaller ndls and single strand, cast on 34 (36, 38) (42, 44, 44) sts. **Row 1 (RS):** * K1, p1; rep from * to end. Work even in 1 x 1 rib until piece measures 1" from cast-on, ending after a WS row. **Inc row (RS):** K1, m1, knit to last st, m1, k1 – 2 sts inc'd. Work even in St st for 3 (3, 5) (3, 3, 3) rows. Rep these 4 (4, 6) (4, 4, 4) rows 6 (6, 8) (9, 10, 13) more times. Rep

13 Jelly Bean Cardigan

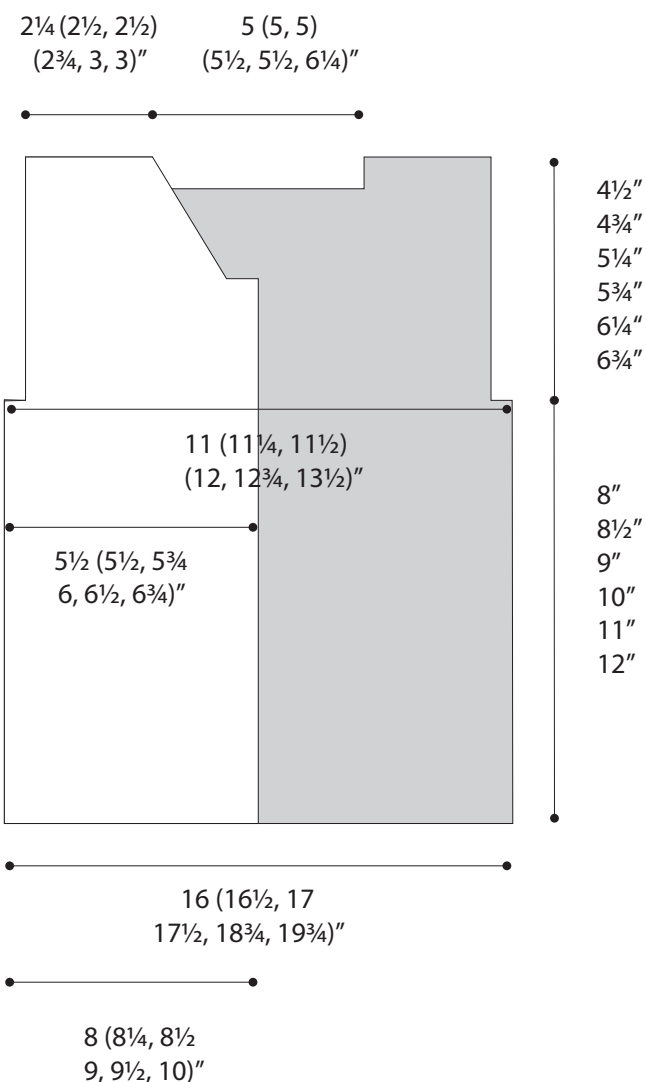
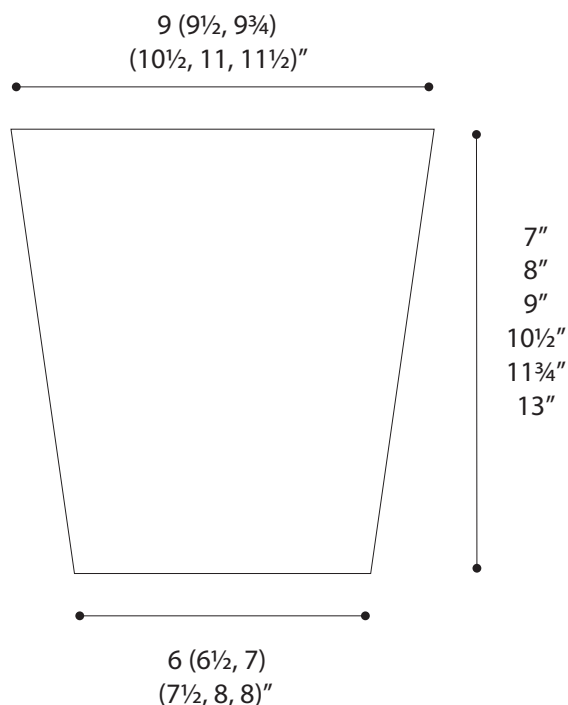
Inc row once more – 50 (52, 58) (64, 68, 74) sts. Work even in St st until sleeve measures 7 (8, 9) (10½, 11¾, 13)“ from cast-on, ending after a WS row. Bind off all sts.

FINISHING Collar

With larger ndls and 2 strands of yarn held tog, cast on 61 (61, 61, 65, 65, 69) sts. **Row 1 (RS):** * K1, p1; rep from * to last st, end k1. **Row 2:** P1, * k1, p1; rep from * to end. Work even in 1 x 1 rib until collar measures 9½ (9¾, 10¼) (10¾, 11¼, 11¾)“. Bind off all sts.

FINISHING

Join shoulders using a 3-ndl bind off. Sew sleeves into armholes. Sew sleeve and side seams. Sew the bind off edge of collar to neck edge. Weave in ends and block. Sew buttons opposite buttonholes.



14 Gumdrops Cardigan

SIZES

Cardigan is sized to fit 6 (12, 18, 24) months.
Shown in 12 month size.

FINISHED MEASUREMENTS

Chest: 21 (22, 23, 24)"

Length: 11¼ (12, 12½, 13½)"

Upper Arm: 8 (8¾, 9, 9½)"

MATERIALS

Universal Yarn Uptown DK Colors (100% anti-pilling acrylic; 100g/273 yds)

- 70316 Peach Smoothie – 2 (2, 2, 2) ball(s)

Needles: US Size 6 (4 mm) straight needles and dpns **or** size to obtain gauge

Notions: one ½" button, stitch holders, yarn needle

GAUGE

22 sts x 28 rows = 4" in Moss st

Save time, check your gauge.

Seed Stitch

Even number of sts

Row 1: * K1, p1; rep from * to end.

Row 2: * P1, k1; rep from * to end

Rep rows 1 & 2 for patt.

Seed Stitch

Odd number of sts

Row 1: * K1, p1; rep from * to last st, k1.

Rep row 1 for patt.

BACK

Cast on 58 (60, 64, 66) sts. **Row 1 (RS):** * K1, p1; rep from * to end. **Row 2:** * P1, k1; rep from * to end. Work even in Seed st until piece measures 6½ (7, 7½, 8)" from cast on, ending after a WS row.

Shape Armholes

At beg of next 2 rows, bind off 3 sts – 52 (54, 58, 60) sts rem. Work even in Seed st until armholes measure 4¾ (5, 5, 5½)", ending after a WS row. Sl 12 (13, 14, 14) sts to hold for right shoulder, sl center 28 (28, 30, 32) sts to second holder for neck, and sl rem 12 (13, 14, 14) sts to third holder for left shoulder.

LEFT FRONT

Cast on 29 (30, 32, 33) sts. **Row 1 (RS):** * K1, p1; rep from * to last 1 (0, 0, 1) st, end k1 (0, 0, 1). Work even in Seed st until piece measures 6½ (7, 7½, 8)" from cast-on, ending after a WS row.

Shape Armhole

At beg of next row (RS), bind off 3 sts – 26 (27, 29, 30) sts rem. Work even in patt until armhole measures 3¾ (4, 4, 4½)", ending with a RS row.

Shape Neck

At beg of next row (WS), bind off 8 (8, 9, 10) sts and work to end – 18 (19, 20, 20) sts rem. **Dec row (RS):** Work in patt to last 3 sts, ssk, k1 – 1 st dec'd. **Dec row (WS):** P1, p2tog, work to end – 1 st dec'd. Rep these 2 rows, twice more – 12 (13, 14, 14) sts rem. Sl rem sts to hold.

RIGHT FRONT

Work as for Left Front, rev all shaping, until armhole measures 3¾ (4, 4, 4½)", ending after a WS row.

Shape Neck

At beg of next row (RS), bind off 8 (8, 9, 10) sts and work to end – 18 (19, 20, 20) sts rem. Work 1 WS row. **Dec row (RS):** K1, k2tog, work to end – 1 st dec'd. **Dec row (WS):** Work to last 3 sts, p2tog, p1 – 1 st dec'd. Rep these 2 rows, once more. **Buttonhole/Dec row (RS):** K1, k2tog, yo, k2tog, work to end – 1 st dec'd, 1 buttonhole made. Rep Dec row (WS) – 12 (13, 14, 14) sts. Sl rem sts to hold.

SLEEVES

Cast on 32 (34, 34, 34) sts. **Row 1 (RS):** * K1, p1; rep from * to end. **Row 2:** * P1, k1; rep from * to end. **Inc row (RS):** K1, m1, work to last st, m1, k1 – 2 sts inc'd. Work even in patt for 3 (3, 3, 3) rows. Rep these 4 rows, 8 (9, 9, 11) more times. Rep Inc row – 52 (56, 56, 60) sts. Work even in Seed st until sleeve measures 8 (9, 10, 11)" from cast-on, ending after a WS row. Bind off all sts.

FINISHING

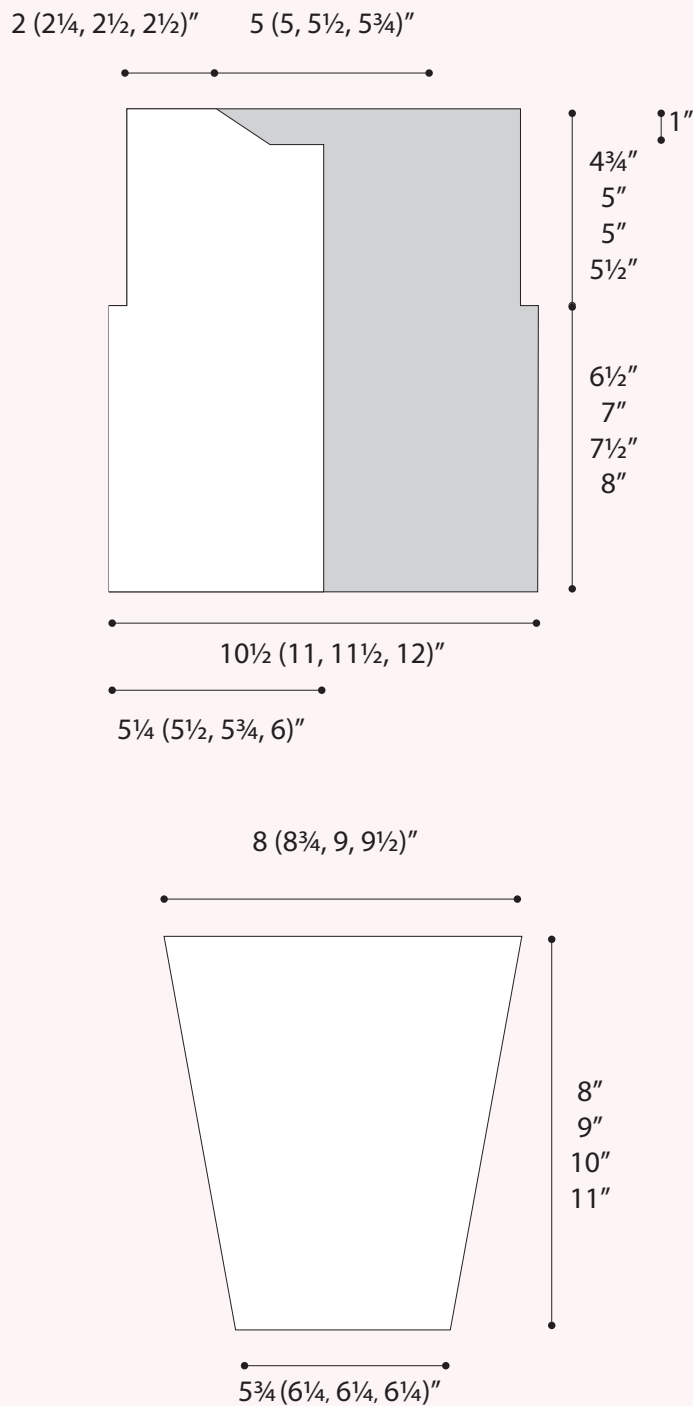
Join shoulders using a 3 ndl-bind off. Sew sleeves to armholes. Sew sleeve and side seams.

Neck Trim

With RS facing, beg at right front neck edge pick up and knit 18 (18, 19, 20) sts, knit across 28 (28, 30, 32) held back neck sts, pick up and knit 18 (18, 19, 20) sts left front edge – 64 (64, 68, 72) sts. Bind off all sts kwise.

Sew button on left front opposite buttonhole. Weave in ends and block.

14 Gumdrops Cardigan



Abbreviations

beg	begin(ning)
bet	between
ch	chain
cn	cable needle
dec	decrease
dec'd	decreased
dpn(s)	double-pointed needle(s)
inc	increase
inc'd	increased
k	knit
k2tog	knit 2 sts together (1 st dec'd)
kfb	knit into front and back of next st (1 st inc'd)
m	marker
m1	insert left needle from front to back under horizontal strand of yarn lying between st just worked and next st, knit this st through the back loop (1 st inc'd)
maint	maintaining
ndl(s)	needle(s)
p	purl
patt	pattern
pm	place marker
prev	previous
pwise	purlwise
p2tog	purl 2 sts together (1 st dec'd)
rem	remain(ing)
rep	repeat
rev	reversing
rev St st	reverse Stockinette stitch
rnd(s)	round(s)
RS	right side
sc	single crochet
sl	slip
sl st	slip stitch
ssk	slip next 2 sts individually knitwise, slip them back to left needle in this position, knit them together through the back loops (1 st dec'd)
st(s)	stitch(es)
St st	Stockinette stitch
tbl	through back loop
tog	together
WS	wrong side
wyib	with yarn in back
wyif	with yarn in front
yo	yarn over

Acknowledgements

Executive Creative Director

Michael del Vecchio

Designer

Michael del Vecchio

Design Coordinator

Heather Hill

Technical Editor

Amy Gunderson

Photographer

Shane Baskin
Black Box Studios

Art Director

Hal Neal

Graphic Artist

Mark Neal

Models

Ali Roh
Oliver Douglas
Ceilo Dawson
Tierney, Miley, & Lily Mumford

ISBN 978-0-9836026-8-2
© 2012 Universal Yarn

All rights reserved. No part of this publication may be reproduced, stored in a retrieval system or transmitted in any form or by any means, electronic, mechanical, photocopying or otherwise, without the prior permission of Universal Yarn.

We give permission to readers to make one copy of the instructions and accompanying charts/schematics for personal use only.

www.universalyarn.com

Distribution

US

Universal Yarn
5991 Caldwell Park Drive
Harrisburg, NC 28075
Tel: 877.864.9276
Fax: 704.789.9222
e-mail: patterns@universalyarn.com
www.universalyarn.com

CANADA

Diamond Yarn
155 Martin Ross Ave Unit 3
Toronto (Ont.) M3J2L9
Tel: 800.268.1896
Fax: 416.736.6112
www.diamonyarn.com

MEXICO

Rebecca Pick Estambres
Lago Chalco No. 129 Col Anahuac
C.P. 1320 Mexico, D.F.
Tel: 52.5341.4413
Fax: 52.5341.6019
www.rebeccapickestambres.com

TURKEY

Defne İplik
Demirtaş Organize Sanayi Bölgesi
Zambak Sk. No:3 (Fistaş 2)
Tel-1: 90.224.261.6151
Tel-2: 90.224.261.3347
Tel-3: 90.224.261.3354
Fax: 90.224.261.3332
e-mail: info@defneiplikpazarlama.com



ISBN 978-0-9836026-8-2

UPC 847652004884



UNIVERSAL YARN

www.universalyarn.com