



PATTERN COLLECTION: *WOMEN*



Pathways Vest

Designed by Amy Gunderson

SIZES

Small (Medium, Large, 1X, 2X, 3X)

To Fit Bust Sizes: 34 (38, 42, 46, 50, 54)''

MATERIALS

Universal Yarn Cotton Supreme
(100% cotton; 100g/180 yds)

- 609 Grey – 3 (3, 4, 4, 4, 5) skeins

Needles: US Size 7 (4.5 mm)
straight *or size needed to obtain gauge*

Notions: Stitch marker, stitch holders, tapestry needle

GAUGE

15 sts x 21 rows = 4'' in St st

16 sts x 21 rows = 4'' in Lace

Ribbing patt

21 sts x 21 rows = 4'' in K1, P1

Ribbing, unstretched

Save time, check your gauge.

Knit. Relax. Smile. Repeat!

2014 © Universal Yarn, Inc.

All rights reserved.

www.universalyarn.com

This pattern may not be reproduced for business, trade or sale.

PATTERN NOTES

This vest is worked in 2 pieces. The main body section is worked in 1 piece from Left Front to Right Front. The Center Back ribbed section is worked separately.

The Back Neck portion of the Scarf is intentionally worked about 20% too long. A number of stitches that is proportionally smaller are picked up later to draw this length in. The purpose of this is to allow the edge of the Scarf without the edging to slightly flare out in order for an easier fit.

STITCH GUIDE

Lace Ribbing

(multiple of 4 sts + 1)

Row 1 (RS): K1, * yo, k2tog, p1, k1; rep from * to end.

Row 2 (WS): P1, * yo, p2tog, k1, p1; rep from * to end.

Rep Rows 1 & 2 for patt.

VEST

Scarf

Cast on 25 sts. Rep Rows 1 & 2 of Lace Ribbing patt, 8 times, then rep RS Row 1, 1 more time.

Next row (WS): Work Row 2 of Lace Ribbing patt to end, pm, cast on 16 sts for Left Front – 41 sts.

Left Front Increase Section 1

Row 1 (RS): [K1, p1] 3 times, m1, knit to m, work Row 1 of Lace Ribbing patt to end – 1 st inc'd.

Row 2 (WS): Work Row 2 of Lace Ribbing patt to m, purl to last 6 sts, m1p, [k1, p1] 3 times – 1 st inc'd.

Rep Rows 1 & 2, 5 (5, 4, 4, 3, 3) more times – 53 (54, 53, 54, 53, 54) sts.

Left Front Increase Section 2

Row 1 (RS): [K1, p1] 3 times, m1, knit to m, work Row 1 of Lace Ribbing patt to end – 1 st inc'd.

Row 2: Work Row 2 of Lace Ribbing patt to m, purl to last 6 sts, [k1, p1] 3 times.
Rep Rows 1 & 2, 11 (11, 11, 8, 7, 6) more times – 65 (66, 65, 63, 61, 61) sts.

Left Front Increase Section 3

Row 1 (RS): [K1, p1] 3 times, m1, knit to m, work Row 1 of Lace Ribbing patt to end – 1 st inc'd.

Row 2: Work Row 2 of Lace Ribbing patt to m, purl to last 6 sts, [k1, p1] 3 times.

Row 3: [K1, p1] 3 times, knit to m, work Row 1 of Lace Ribbing patt to end.

Row 4: Rep Row 2.

Rep Rows 1-4, 8 (10, 13, 17, 20, 23) more times – 74 (77, 79, 81, 82, 85) sts.

Separate Scarf and Left Side

Next row (RS): [K1, p1] 3 times, k30 (32, 33, 34, 34, 36), bind off 13 (14, 15, 16, 17, 18) sts, work in patt over rem 25 Scarf sts to end. Place 36 (38, 39, 40, 40, 42) Left Side sts on stitch holder.

Back of Neck Scarf/Collar

Work in Lace Ribbing patt over 25 Scarf sts for 20 (22, 24, 26, 28, 30)". Break yarn, place sts on holder. Return Left Side sts to ndl.

Shape Left Back

Row 1 (WS): Purl to last 6 sts, [k1, p1] 3 times.

Row 2 (RS): [K1, p1] 3 times, knit to last 3 sts, ssk, k1 – 1 st dec'd.

Rows 3-10: Rep Rows 1 & 2, 4 more times – 31 (33, 34, 35, 35, 37) sts rem.

Row 11: Purl to last 6 sts, [k1, p1] 3 times. Bind off all sts.

Right Back

Cast on 31 (33, 34, 35, 35, 37) sts.

Row 1 (WS): Purl to last 6 sts, [k1, p1] 3 times.

Row 2 (RS): [K1, p1] 3 times, knit to last st, m1, k1 – 1 st inc'd.

Rows 3-10: Rep Rows 1 & 2, 4 more times – 36 (38, 39, 40, 40, 42) sts.

Row 11: Purl to last 6 sts, [k1, p1] 3 times.

Rejoin Scarf

Next row (RS): [K1, p1] 3 times, knit to end, cast on 13 (14, 15, 16, 17, 18) sts, pm, work in Lace Ribbing patt over 25 Scarf sts – 74 (77, 79, 81, 82, 85) sts.

Next row (WS): Work in Lace Ribbing patt to m, purl to last 6 sts, [k1, p1] 3 times.

Knit. Relax. Smile. Repeat!

2014 © Universal Yarn, Inc.

All rights reserved.

www.universalyarn.com

This pattern may not be reproduced for business, trade or sale.

Right Front Decrease Section 1

Row 1 (RS): [K1, p1] 3 times, knit to m, work Row 1 of Lace Ribbing patt to end.

Row 2: Work Row 2 of Lace Ribbing patt to m, purl to last 6 sts, [k1, p1] 3 times.

Row 3: [K1, p1] 3 times, k2tog, knit to m, work Row 1 of Lace Ribbing patt to end – 1 st dec'd.

Row 4: Rep Row 2.

Rep Rows 1-4, 8 (10, 13, 17, 20, 23) more times – 65 (66, 65, 63, 61, 61) sts rem.

Right Front Decrease Section 2

Row 1: [K1, p1] 3 times, k2tog, knit to m, work Row 1 of Lace Ribbing patt to end – 1 st dec'd.

Row 2: Work Row 2 of Lace Ribbing patt to m, purl to last 6 sts, [k1, p1] 3 times.

Rep Rows 1 & 2, 11 (11, 11, 8, 7, 6) more times – 53 (54, 53, 54, 53, 54) sts rem.

Right Front Decrease Section 3

Row 1: [K1, p1] 3 times, k2tog, knit to m, work Row 1 of Lace Ribbing patt to end – 1 st dec'd.

Row 2: Work Row 2 of Lace Ribbing patt to m, purl to last 8 sts, p2tog, [k1, p1] 3 times – 1 st dec'd.

Rep Rows 1 & 2, 5 (5, 4, 4, 3, 3) more times – 41 sts rem.

Next row (RS): Bind off next 16 sts, work Row 1 of Lace Ribbing patt over rem 25 sts. Work Row 2 of patt, then rep Rows 1 & 2, 8 more times. Bind off all sts in patt.

CENTER BACK

Cast on 45 (53, 61, 69, 75, 83) sts.

Row 1 (RS): K1, * p1, k1; rep from * to end.

Row 2: P1, * k1, p1; rep from * to end.

Cont in k1, p1 ribbing until Center Back meas 8¼ (8¾, 9, 9¼, 9½, 9¾)”. Bind off all sts using sewn bind-off, or using a very stretchy bind-off.

FINISHING

Sew bind off edge of Left Back to one side of Center Back. Sew cast-on edge of Right Back to other side of Center Back.

Edging

Beg at Left Back along shaped portion of piece, pick up and knit 29 (30, 31, 32, 33, 34) sts along Left Back, 60 (66, 72, 78, 84, 90) sts along side of Scarf, and 29 (30, 31, 32, 33, 34) sts along Right Back, turn.

Bind off all sts, kwise.

Weave in ends and block.



Knit, Relax, Smile, Repeat!

2014 © Universal Yarn, Inc.

All rights reserved.

www.universalyarn.com

This pattern may not be reproduced for business, trade or sale.



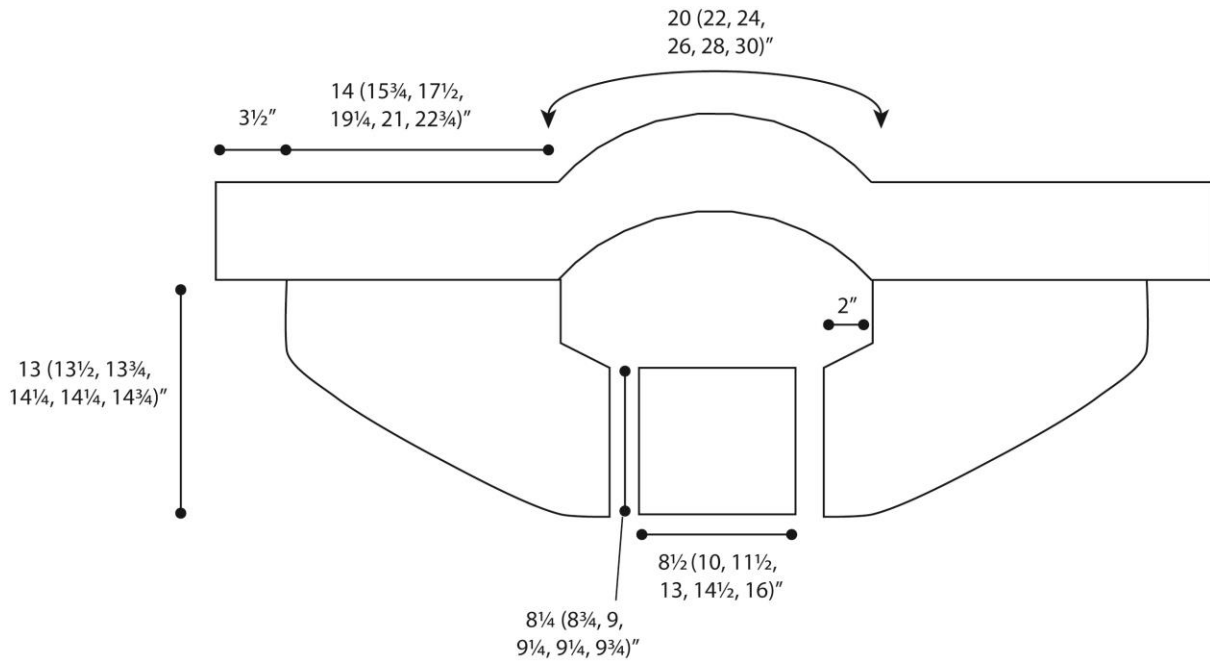
Knit, Relax, Smile, Repeat!

2014 © Universal Yarn, Inc.

All rights reserved.

www.universalyarn.com

This pattern may not be reproduced for business, trade or sale.



Knit. Relax. Smile. Repeat!

2014 © Universal Yarn, Inc.

All rights reserved.

www.universalyarn.com

This pattern may not be reproduced for business, trade or sale.