



PATTERN COLLECTION

Children



Elijah Cardigan

Designed by Universal Yarn Design Team

DIFFICULTY

Easy

SIZES

3 mo. (6-12 mo., 12-18 mo., 2 yr, 4 yr, 6 yr)
Shown in 6-12 mo. Size.

FINISHED MEASUREMENTS

Chest Circumference (buttoned): 20½
(22½, 23½, 25½, 27½, 29½)"

Length: 9 (10½, 12, 13½, 15½, 16½)"

MATERIALS

Universal Yarn [Deluxe Worsted Superwash](#) (100% superwash wool; 100g/218 yds)

- 709 Lime Tree (A) - 1 skein (all sizes)
- 718 Dusty Blue (B) - 1 skein (all sizes)
- 760 Indigo (C) - 1 skein (all sizes)

Needle: US Size 7 (4.5 mm) straight and set of DPNs (for sleeves) *or size needed to obtain gauge*

Notions: Tapestry needle, stitch holder or waste yarn, stitch marker, 5 (5, 6, 6, 6, 6) ½" buttons (*shown using [Katrinkles Prism Buttons](#)*)

GAUGE

18 sts x 24 rows = 4" in Stockinette stitch (St st)

Save time, check your gauge.

Knit, Relax, Smile, Repeat!

2022 © Universal Yarn, Inc.

www.universalyarn.com

All rights reserved. This pattern may not be reproduced for business, trade or sale.

Questions? Contact patterns@universalyarn.com

PATTERN NOTES

The Elijah Cardigan takes inspiration from those magical childhood moments of discovery. Bright green garter ridges pop out of the contrasting hues of blue in this adorable striped sweater. Knit using Deluxe Worsted Superwash, this machine-washable yarn will welcome your little ones to do just what kids do! From exploring their surroundings to creating beautiful art, they'll be comfy and cozy in this cardigan! This project is also a wonderful gift for a baby shower.

This cardigan is worked from the bottom-up in one piece. The body is worked flat, and the fronts and back are separated at the armholes and worked separately. The shoulders are joined using the three-needle method. Then, sleeve stitches are picked up and worked seamlessly in the round from the top-down. The button bands and neck edging are picked up and worked flat.

STITCH GUIDE

K1, P1 Rib

(even number of sts, worked flat)

Row 1 (RS): * K1, p1; rep from * to end.

Rep Row 1 for patt.

K1, P1 Rib

(even number of sts, worked in the rnd)

Rnd 1: * K1, p1; rep from * to end.

Rep Rnd 1 for patt.

STRIPE SEQUENCE

(worked flat)

Row 1 (RS): With color A, knit.

Row 2 (WS): With color A, knit.

Row 3: With color C, knit.

Row 4: With color C, purl.

Rows 5-6: Rep Rows 3-4.

Row 7: With color B, knit.

Row 8: With color B, purl.

Row 9-10: Rep Rows 7-8.

Rows 11-14: Rep Rows 3-6.

Rep Rows 1-14 for patt.

STRIPE SEQUENCE

(worked in the round)

Rnd 1: With color A, knit.

Rnd 2: With color A, purl.

Rnds 3-6: With color C, knit.

Rnds 7-10: With color B, knit.

Rnds 11-14: With color C, knit.

Rep Rnds 1-14 for patt.

PATTERN BEGINS

CARDIGAN

Hem

With color A, cast on 86 (94, 100, 110, 118, 126) sts.

Row 1 (RS): Work Row 1 of K1, P1 Rib to end.

Rep Row 1, 5 more times.

Main Body

Note: Join colors A and B as indicated in Stripe Sequence. Do not break yarn at the end of each row. Instead, carry yarn up the side of the work.

Work in Stripe Sequence until piece meas 6 (7, 8, 9, 10, 11)" from cast-on edge, ending with a WS row.

Separate Fronts & Back

Cont as est'd over 18 (20, 22, 23, 25, 27) Right Front sts, bind off 4 (4, 4, 6, 6, 6) underarm sts, cont as est'd over 42 (46, 48, 52, 56, 60) Back sts, bind off 4 (4, 4, 6, 6, 6) underarm sts, cont as est'd over 18 (20, 22, 23, 25, 27) Left Front sts. Place Right Front and Back sts on holder or waste yarn.

Left Front

Cont in Stripe Sequence until piece meas 1¼ (1½, 2¼, 2¾, 3¼, 3¾)" from Front/Back Separation.

Bind off 3 (3, 4, 4, 4, 4) sts at the beg of the next WS row, then bind off 2 (2, 2, 2, 2, 3) sts at the beg of the next WS row, then bind off 1 st at the beg of the next WS row - 12 (14, 15, 16, 18, 19) Left Front sts rem. Cont as est'd until piece meas 3 (3¼, 4, 4¾, 5¼, 5¾)" from Separation. Place sts on holder or waste yarn. Return Back sts to ndl.

Back

Cont in Stripe Sequence until piece meas 3 (3¼, 4, 4¾, 5¼, 5¾)" ending with a WS row.

Next Row (RS): K12 (14, 15, 16, 18, 19) Right Back sts, bind off 18 (18, 18, 20, 20, 22) neck sts, K12 (14, 15, 16, 18, 19) Left Back sts. Place Right and Left Back sts on holder or waste yarn. Return Right Front sts to ndl.

Right Front

Cont in Stripe Sequence until piece meas 1¼ (1½, 2¼, 2¾, 3¼, 3¾)" from Front/Back Separation, ending with a WS row. Bind off 3 (3, 4, 4, 4, 4) sts at the beg of the next RS row, then bind 2 (2, 2, 2, 2, 3) sts at the beg of the next RS row, then bind off 1 st at the beg of the next RS row - 12 (14, 15, 16, 18, 19) Right Front sts rem. Cont as est'd, if necessary, until piece meas 3 (3¼, 4, 4¾, 5¼, 5¾)" from separation.

Knit, Relax, Smile, Repeat!

2022 © Universal Yarn, Inc.

www.universalyarn.com

All rights reserved. This pattern may not be reproduced for business, trade or sale.

Questions? Contact patterns@universalyarn.com

With RS facing tog, join Right Front and Right Back sts using the three-ndl method. Rep for Left Front and Left back sts.

SLEEVES

With dpns, color B, RS facing, and beg at center of underarm, pick up and knit 28 (30, 36, 42, 46, 50) sts evenly along armhole. PM and join to knit in the rnd, being careful not to twist. Work Rnds 7-10 of Stripe Sequence.

Shape Sleeves

Note: Cont with Rnd 11, cont in Stripe Sequence throughout Sleeve.

Dec Rnd: K1, k2tog, cont as est'd to last 3 sts, ssk, k1 – 2 sts dec'd, 26 (28, 34, 40, 44, 48) sts rem.

Rep Dec Rnd every 8 (6, 8, 8, 10, 10) rnds, 2 (4, 4, 3, 1, 4) more time(s), then rep Dec Rnd every 6 (-, -, 6, 8, 8) rnds, 1 (-, -, 3, 5, 2) time(s) – 6 (8, 8, 10, 10, 12) sts dec'd, 20 (20, 26, 28, 32, 36) sts rem.

Work even as est'd, if necessary, until Sleeve meas 4 (5, 6, 7½, 9½, 10½)" from underarm, and ending with Rnd 4 of Stripe Sequence patt. Break colors B and C, cont with A only.

Cuff

Rnd 1: Work Rnd 1 of K1, P1 Rib to end.

Rep Rnd 1, 3 more times. Bind off all sts kwise.

Rep for other sleeve.

FINISHING

Block to finished measurements and weave in ends.

Left Button Band

With color A and RS facing, at Left-Front neck bind-off edge, pick up and knit 34 (38, 46, 54, 60, 68) sts evenly along Left Front edge.

Rows 1-10: Knit. Bind off all sts kwise.

Right Button Band

Note: One Row 5, the double yarn-overs are worked with the preceding stitch and first stitch following the double yarn-overs. Work the first stitch as: ssk. Work the second stitch following the double yarnover as: k2tog.

With RS facing and MC, beg at the bottom Right Front, pick up and knit 34 (38, 46, 54, 60, 68) sts evenly along Right Front edge.

Row 1 (WS): Knit.

Row 2 (RS): Knit.

Row 3: Knit.

Row 4 (Buttonhole Row): Cont as est'd over 6 (6, 6, 7, 6, 6) sts, [yo] 2 times, {work in patt for 6 (7, 7, 8, 10, 11) sts, [yo] 2 times} 4 (4, 5, 5, 5, 5) times, cont as est'd over 4 (4, 5, 7, 4, 7) sts – 5 (5, 6, 6, 6, 6) button holes.

Row 5 (Buttonhole Row): Cont as est'd to 1 st bef the first double yo, [work next st and the first yo tog, then work the second yo and foll st tog, cont as est'd to next double yo] 4 (4, 5, 5, 5, 5) times, cont as est'd to end.

Rows 6-10: Knit. Bind off all sts kwise.

Neck Edge

With color A and RS facing, beg at Right Front button band, pick up and knit 5 sts along side of Right Button Band, pick up and knit 13 (13, 15, 15, 15, 15) sts along Right Front neck edge, pick up and knit 18 (18, 18, 20, 20, 22) sts across Back Neck, pick up and knit 13 (13, 15, 15, 15, 15) along Left Front neck edge, pick up and knit 5 sts along side of Left Button Band – 54 (54, 54, 60, 60, 62) sts.

Rows 1-5: Knit. Bind off all sts kwise.

Weave in rem ends.

Abbreviations

bef	before
beg	begin(ning)
CC	contrast color
cont	continue
dec('d)	decrease(d)
dpn(s)	double pointed needle(s)
est'd	established
foll	follow
garter st	knit every row
k	knit
k2tog	knit 2 stitches together (1 st dec'd)
kwise	knitwise
m	marker
MC	main color
meas	measures
ndl	needle
p	purl
patt	pattern
pm	place marker
rem	remain(ing)
rep	repeat
rnd	round
RS	right side

Knit, Relax, Smile, Repeat!

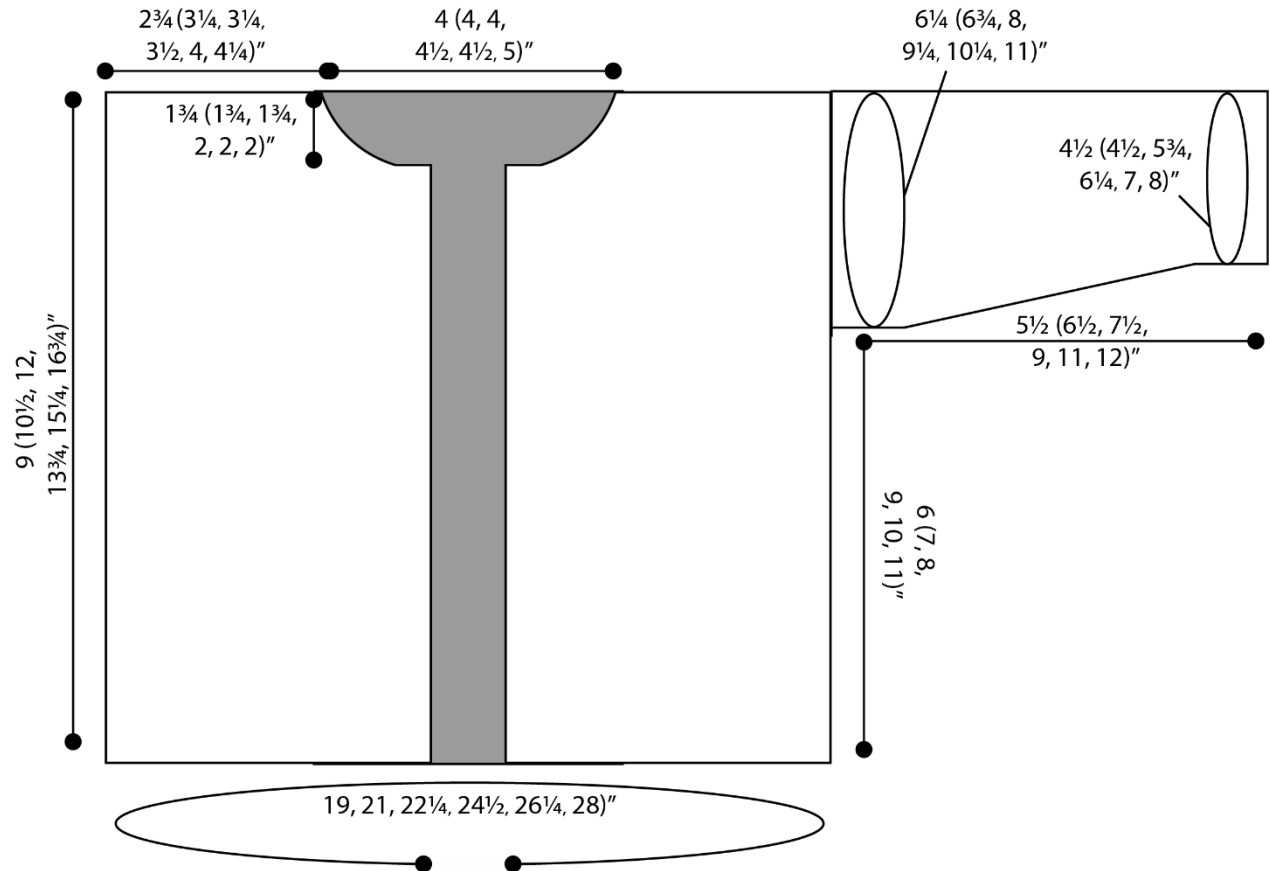
2022 © Universal Yarn, Inc.

www.universalyarn.com

All rights reserved. This pattern may not be reproduced for business, trade or sale.

Questions? Contact patterns@universalyarn.com

ssk slip next 2 sts individually
 knitwise, slip them back to left
 needle in this position, knit them
 together through the back loops
 (1 st dec'd)
 st(s) stitch(es)
 tog together
 WS wrong side
 yo yarn over



Knit, Relax, Smile, Repeat!

2022 © Universal Yarn, Inc.

www.universalyarn.com

All rights reserved. This pattern may not be reproduced for business, trade or sale.

Questions? Contact patterns@universalyarn.com