



# PATTERN COLLECTION

## Children



### Art Class Cardigan

Designed by Rachel Brockman

#### DIFFICULTY

Easy

#### SIZES

3 (6, 12, 24) months

*Shown in 3 month size.*

#### FINISHED MEASUREMENTS

Chest (buttoned): 18½ (20¼, 21¾, 23½)''

Length: 8¾ (10¼, 11½, 12¾)''

#### MATERIALS

[Universal Yarn Deluxe Stripes](#) (75% superwash wool, 25% nylon; 100g/218 yds)

- 309 Crayon Box - 1 (2, 2, 2) skein(s)

**Needle:** US Size 8 (5 mm) 16-24'' circular and set of DPNs (or your preferred needle for knitting small circumferences) *or size needed to obtain gauge*

US Size 7 (4.5 mm) 16-24'' circular and set of DPNs (or your preferred needle for knitting small circumferences in the round)

**Notions:** Tapestry needle, stitch markers, stitch holders or waste yarn, sewing needle and thread, four ¾'' buttons (*buttons shown are [Knit Buttons by Katrinkles](#)*)

#### GAUGE

19 sts x 25 rows/rnds = 4'' in Stockinette stitch (St st) using larger ndl

**Save time, check your gauge.**

Knit, Relax, Smile, Repeat!

2022 © Universal Yarn, Inc.

[www.universalyarn.com](http://www.universalyarn.com)

All rights reserved. This pattern may not be reproduced for business, trade or sale.

Questions? Contact [patterns@universalyarn.com](mailto:patterns@universalyarn.com)

## PATTERN NOTES

Cute and colorful! The Art Class Cardigan will inspire a future artist when knit in vibrant Deluxe Stripes. Thanks to its machine washability, you won't need to fret if your little one gets a bit of finger paint on this card! Simple, top-down construction, a touch of broken ribbing, and precious buttons make this pattern irresistible.

This cardigan is knit seamlessly from the top down, beginning with the neckband. The body and sleeves are separated at the underarms. The body is knit flat. The sleeves are knit in the round from the top down. Stitches for the button bands are picked up along the front edges and worked flat. Buttons are attached to finish the sweater.

Deluxe Stripes is a self-striping yarn. To ensure your project looks as close to the sample as possible, when starting the sleeves, be sure to visually match the color to the point at which you are rejoining. This will require you to wind off some yarn, but we promise the results are worth the effort!

## PATTERN BEGINS

### Neckband

With smaller 16-24" circ ndl, cast on 43 (47, 51, 55) sts.

**Row 1 (WS):** K1, \* p1, k1; rep from \* to end.

**Row 2 (RS):** Knit.

Rep Rows 1-2, 2 more times.

**Next Row (WS):** Knit.

Change to larger 16-24" circ ndl.

### Raglan Shaping

**Set-up Row (RS):** K6 (7, 8, 9) Right Front sts, pm, k6 (6, 6, 6) Sleeve sts, pm, k19 (21, 23, 25) Back sts, pm, k6 (6, 6, 6) Sleeve sts, pm, k6 (7, 8, 9) Left Front sts.

**Set-up Row 2 (WS):** Purl.

**Inc Row:** \* Knit to 1 st bef m, m1R, k1 (1 Body st inc'd), sl m, k1, m1L, knit to 1 st bef m, m1R, k1 (2 Sleeve sts inc'd), sl m, k1, m1L, knit to 1 st bef m, m1R, k1 (2 Body sts inc'd), sl m, k1, m1L, knit to 1 st bef m, m1R, k1 (2 Sleeve sts inc'd), sl m, k1, m1L, knit to end (1 Body st inc'd) – 8 sts inc'd, 51 (55, 59, 63) sts.

**Even Row:** Purl.

Rep Inc Row and Even Row, 11 (12, 13, 14) more times – 88 (96, 104, 112) sts inc'd, 139 (151, 163, 175) sts. 18 (20, 22, 24) sts for each Right and Left Front; 30 (32, 34, 36) sts for each Sleeve; 43 (47, 51, 55) sts for Back.



Cont even in St st, if necessary, until piece meas approx. 3 $\frac{3}{4}$  (4 $\frac{1}{4}$ , 4 $\frac{1}{2}$ , 4 $\frac{3}{4}$ )" from end of Neckband, ending with a WS row.

### Separate Body and Sleeves

**Next Row (RS):** Knit to m, remove m, slip 30 (32, 34, 36) Sleeve sts to holder or waste yarn, cast on 2 sts, knit to m, remove m, slip 30 (32, 34, 36) Sleeve sts to holder or waste yarn, cast on 2 sts, knit to end – 83 (91, 99, 107) sts rem for Body.

### Body

**Next Row (WS):** Purl.

**Row 1 (RS):** Knit.

**Row 2:** Purl.

Rep Rows 1-2 until piece meas approx 4 (5, 6, 7)" from underarms, ending with a RS row.

Change to smaller 16-24" circ ndl.

### Hem

**Next Row (WS):** Knit.

**Row 1 (RS):** Knit.

**Row 2:** K1, \* p1, k1; rep from \* to end.

Rep Rows 1-2, 2 more times, or until piece meas approx. 5 (6, 7, 8)" from underarms, ending with a WS row. Bind off all sts in patt.

## SLEEVES

*(make two alike)*

*Note: See Pattern Notes regarding how to join yarn for Sleeves using Deluxe Stripes.*

With larger ndl for knitting small circumferences in the rnd, begin at the center of underarm cast-on, pick up and knit 1 st along cast-on edge, k30

Knit, Relax, Smile, Repeat!

2022 © Universal Yarn, Inc.

[www.universalyarn.com](http://www.universalyarn.com)

All rights reserved. This pattern may not be reproduced for business, trade or sale.

Questions? Contact [patterns@universalyarn.com](mailto:patterns@universalyarn.com)

(32, 34, 36) Sleeve sts from holder or waste yarn, pick up and knit 1 st along cast-on edge, PM and join to knit in the rnd – 32 (34, 36, 38) sts.

**Rnd 1:** Knit.

Rep Rnd 1 until piece meas approx 1¼" from underarm.

### Shape Sleeve

**Dec Rnd:** K1, k2tog, knit to last 3 sts, ssk, k1 – 2 sts dec'd, 30 (32, 34, 36) sts rem.

Rep Dec Rnd every 6 (8, 8, 10) rnds, 1 (0, 2, 0) more time(s), then rep Dec Rnd every 4 (6, 6, 8) rnds, 3 (4, 2, 4) times – 8 sts dec'd, 22 (24, 26, 28) sts rem.

Cont even in St st, if necessary, until Sleeve meas approx. 4¾ (5¾, 6¾, 7¾)" from underarm. Change to smaller ndl for knitting small circumferences in the rnd.

### Cuff

**Rnd 1:** Purl.

**Rnd 2:** Knit.

**Rnd 3:** \* P1, k1; rep from \* to end.

Rep Rnds 2-3, 1 more time, or until Sleeve meas approx. 5½ (6½, 7½, 8½)" from underarm. Bind off all sts in patt.

### FINISHING

Gently wash and block to finished measurements. Weave in ends.

#### Left Button Band

With smaller ndl for knitting flat and RS facing, beg at upper corner of Left Front, just below the end of the Neckband. Pick up and knit 41 (49, 57, 63) sts.

**Row 1 (WS):** K1, \* p1, k1; rep from \* to end.

**Row 2 (RS):** Knit.

Rep Rows 1-2, 2 more times, then rep Row 1, one more time. Bind off all sts in patt.

#### Right Button Band

*Note: On Row 2, the double yarn-overs are worked with the preceding stitch and first stitch following the double yarn-overs. If the first stitch is a knit stitch: ssk. If the first stitch is a purl stitch: p2tog. If the second stitch following the double yarnover is a knit stitch: k2tog. If the second stitch following the yarnover is a purl stitch, p2tog.*

With smaller ndl for knitting flat and RS facing, beg at lower corner of Right Front. Pick up and

knit 41 (49, 57, 63) sts, ending just before the Neckband.

**Row 1 (WS):** K1, \* p1, k1; rep from \* to end.

**Row 2 (RS):** Knit.

**Row 3:** Rep Row 1.

**Row 4 (Buttonhole Row 1):** K9 (11, 13, 13), [yo] 2 times, {k10 (12, 13, 15), [yo] 2 times} 3 times, knit to end.

**Row 5 (Buttonhole Row 2):** Cont as est'd to 1 st bef the first double yo, [work next st and first yo tog, then work the second yo and foll st tog, cont as est'd for 9 (11, 12, 14) sts] 4 times, cont as est'd to end – 4 buttonholes.

**Row 6:** Knit.

**Row 7:** Rep Row 1.

Bind off all sts in patt.

Block button bands, if desired. Using sewing needle and thread, attach buttons to Left Button Band, opposite Buttonholes. Weave in rem ends.

Knit, Relax, Smile, Repeat!

2022 © Universal Yarn, Inc.

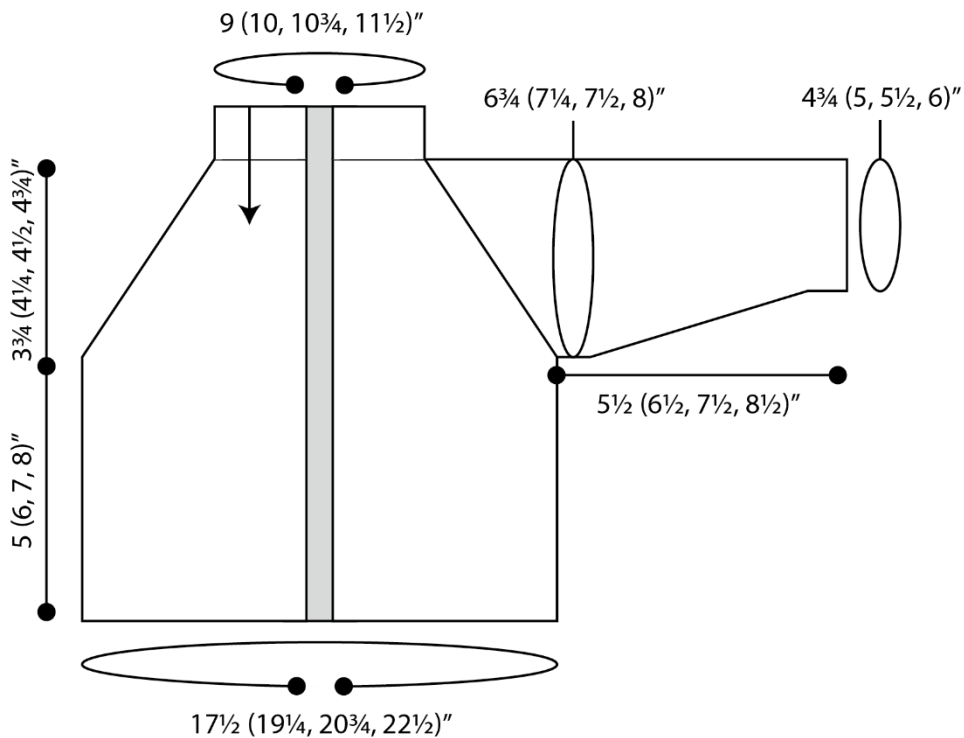
[www.universalyarn.com](http://www.universalyarn.com)

All rights reserved. This pattern may not be reproduced for business, trade or sale.

Questions? Contact [patterns@universalyarn.com](mailto:patterns@universalyarn.com)

## Abbreviations

approx	approximately	meas	measures
bef	before	ndl	needle
beg	begin(ning)	p	purl
circ	circular	patt	pattern
cont	continue	p2tog	purl 2 sts together (1 st dec'd)
dec('d)	decrease(d)	patt	pattern
dpn(s)	double pointed needle(s)	pm	place marker
est'd	established	rem	remain(ing)
folll	follow	rep	repeat
inc('d)	increase(d)	rnd	round
k	knit	RS	right side
k2tog	knit 2 stitches together (1 st dec'd)	sl	slip
m	marker	ssk	slip next 2 sts individually knitwise, slip them back to left needle in this position, knit them together through the back loops (1 st dec'd)
m1L	insert left needle from front to back under horizontal strand of yarn lying between st just worked and next st, knit or purl this st through the back loop (1 st inc'd)	St st	Stockinette stitch (knit on RS rows, purl on WS rows; in the rnd, knit every rnd)
m1R	insert left needle from back to front under horizontal strand of yarn lying between st just worked and next st, knit or purl this st through the front loop (1 st inc'd)	st(s)	stitch(es)
		tog	together
		WS	wrong side
		yo	yarn over



\*arrow indicates  
direction of knitting

Knit, Relax, Smile, Repeat!

2022 © Universal Yarn, Inc.

[www.universalyarn.com](http://www.universalyarn.com)

All rights reserved. This pattern may not be reproduced for business, trade or sale.

Questions? Contact [patterns@universalyarn.com](mailto:patterns@universalyarn.com)