

Suhr[®]

Jack Rabbit Ver. 2.0

Addendum



Table of Contents

FX LINK.....	3
Remote Bypass Switching (via FX LINK)	3
Remote Tap Tempo (via FX LINK)	3
Single momentary Tap Tempo switch with a Custom Cable.....	4
Connecting a single momentary Tap Tempo switch	5



FX LINK

Jack Rabbit Ver 2.0 contains updated software that affects the functionality of the **FX LINK** jack.

IMPORTANT NOTE: WHEN USING FX LINK, JACK RABBIT MUST BE SET TO TRUE BYPASS (see pg. 4 of the Jack Rabbit User Guide).

The 1/8" stereo TRS input jack called **FX LINK** allows the pedal to be controlled by an external switch box or effects switching system with TRS control output jacks, such as the BOSS ES-8 or ES-5.

The **FX LINK** jack allows for external control of

1. Bypass (TIP)
2. Tap Tempo (RING)

Remote Bypass Switching (via FX LINK)

A switch between the TIP and SLEEVE of the 1/8" stereo cable will turn the effect on and off. This switch should be a *latching* switch.

- When the switch is switched open from closed, the pedal will turn off.
- When the switch is switched closed from open, the pedal will turn on.

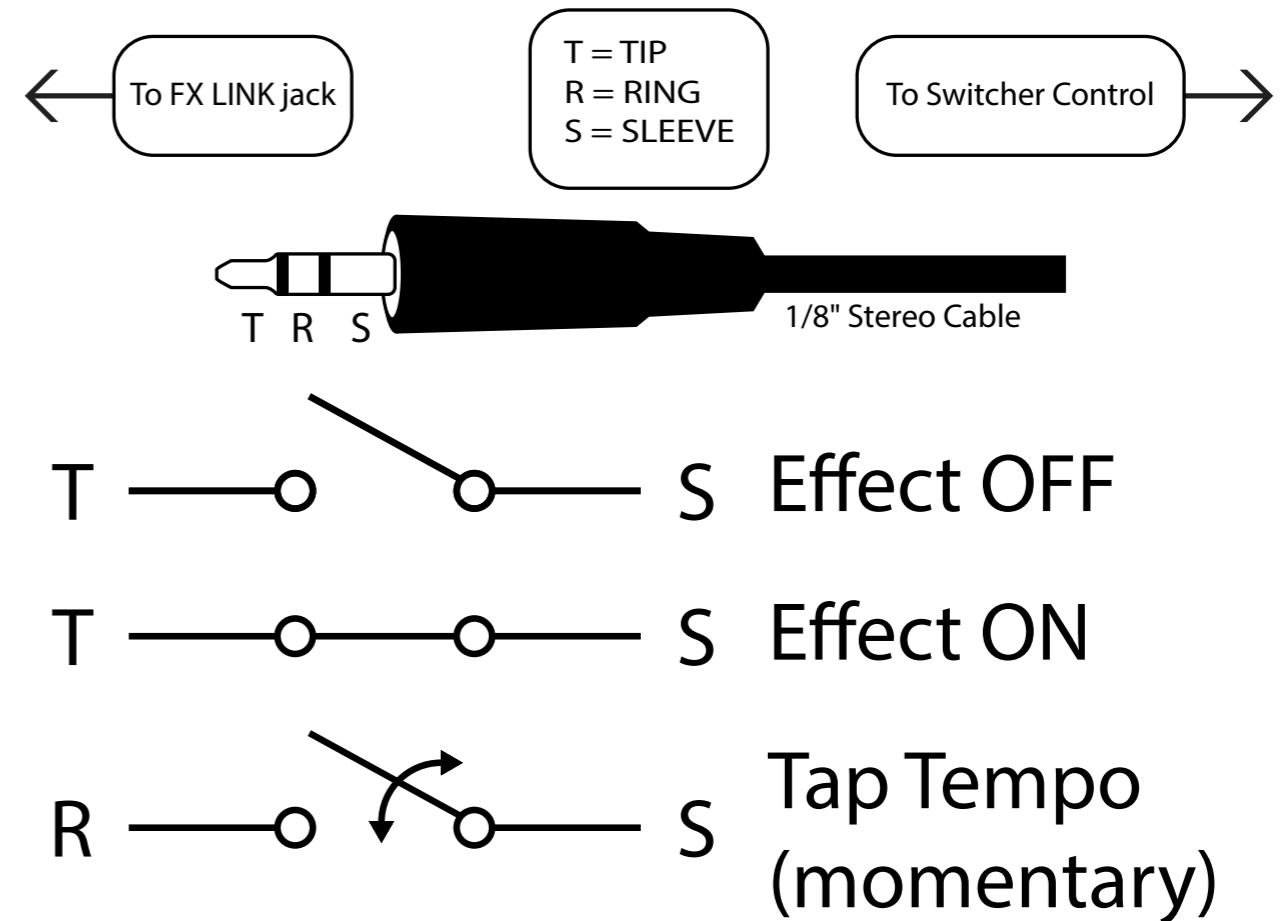
The bypass switch of the pedal still works regardless and will take over if it is used.

Remote Tap Tempo (via FX LINK)

A switch between the RING and SLEEVE of the 1/8" stereo cable will control the tap tempo of the pedal. This switch should be a *momentary* switch.

- Tapping the momentary switch 3 times sets a new tempo

The tap tempo function built into the pedal (holding down the bypass switch to engage) still works regardless and will take over if it is used.

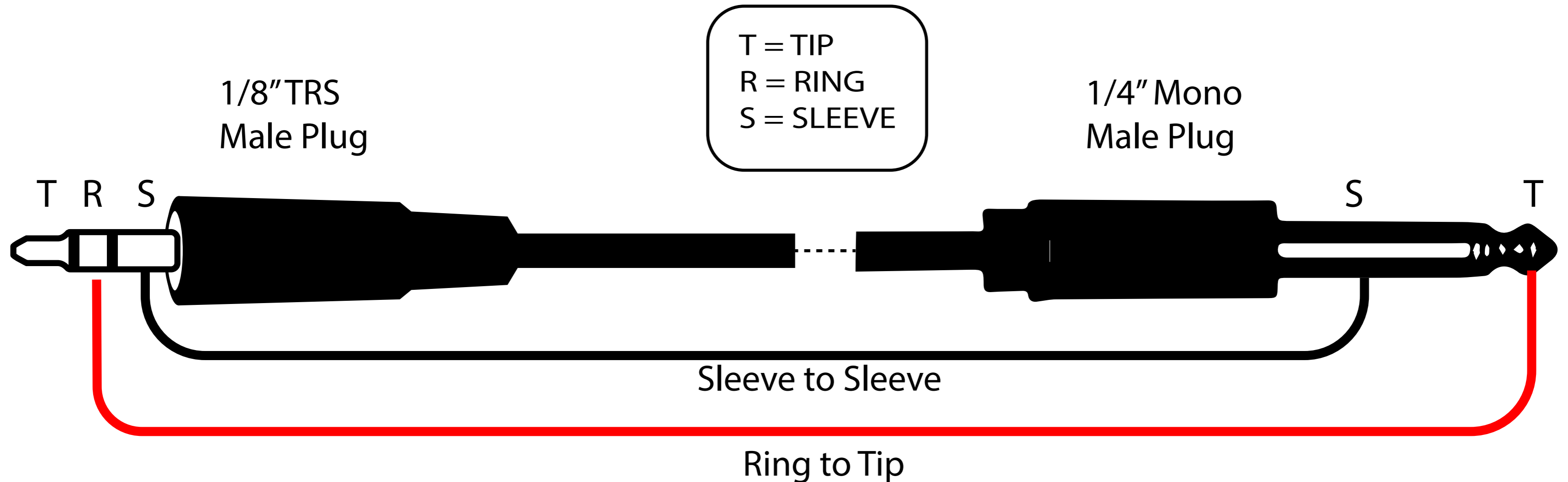


Single momentary Tap Tempo switch with a Custom Cable

To use a single cable to access the tap tempo function only, a 1/8" TRS to 1/4" TS (mono) cable should be made and wired as such.

1. TIP is left disconnected on 1/8" TRS side
2. RING from 1/8" TRS side is connected to TIP on 1/4" side
3. SLEEVE on both sides are connected

The 1/8" TRS side would go into the **FX LINK** jack and the 1/4" Mono side would go into the momentary switch box.



Connecting a single momentary Tap Tempo switch

To use a single dedicated switch for tap tempo only, a special cable is needed.

A 3.5mm 1/8" TRS to Dual 6.35mm 1/4" TS Mono Stereo Y-Cable Splitter Cord can be used.

The 1/8" TRS side goes into the FX LINK jack, while the 1/4" RING side goes into the single momentary tap switch box.

By tapping the switch connected to the RING, the tap tempo will be updated after 3 taps.

If plugging in the TIP, the bypass will be controlled instead.

