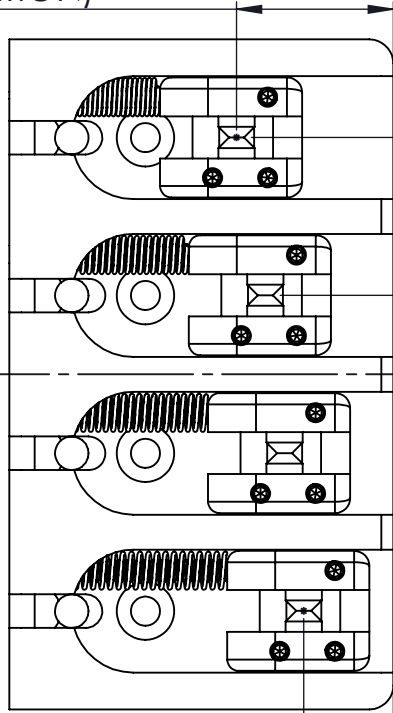
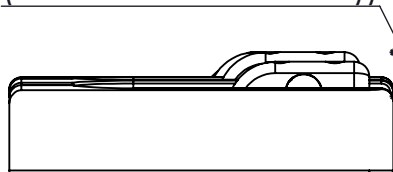


0.82in [21mm]
(MAX INTONATION)



0.47in [12mm]
(MIN INTONATION)

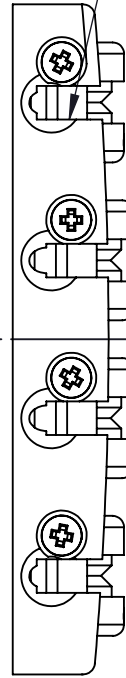
0.63in [16mm]
(MAX STRING HEIGHT)



0.822in [20.9mm]
±.062in [1.5mm]
(STRING SPACING)

0.40in [10mm]
(MIN STRING HEIGHT)

QUICK RELEASE
CHANNELS



3.490in [88.6mm]

1.675in [42.5mm]
1.291in [32.8mm]

2.000in [50.8mm]

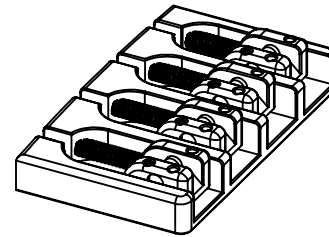
R0.125in [3.2mm]

1.233in [31.3mm]

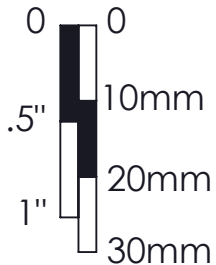
0.411in [10.4mm]

1.233in [31.3mm]

0.411in [10.4mm]



Scale



WEIGHT (WITH MOUNTING HARDWARE):
ALUM: 5.2oz [136g] **BRASS:** 10.2oz [275g]

THIS DRAWING IS THE SOLE PROPERTY OF HIPSHOT PRODUCTS, INC. ALL RIGHTS ARE RESERVED. DIMENSIONS AND PRODUCT FEATURES MAY CHANGE WITHOUT NOTICE.

UNLESS OTHERWISE SPECIFIED: DIMENSIONS ARE IN INCHES TOLERANCE: ± .005

REV DATE:
4/10/2021

5A400-822 4 STG A STYLE
BASS BRIDGE .822 SPACING
DIMENSIONS



8248 STATE ROUTE 96
Interlaken, NY 14847 U.S.A.
TEL: 607-532-9404 FAX: 607-532-9530
E-MAIL: info@hipshotproducts.com