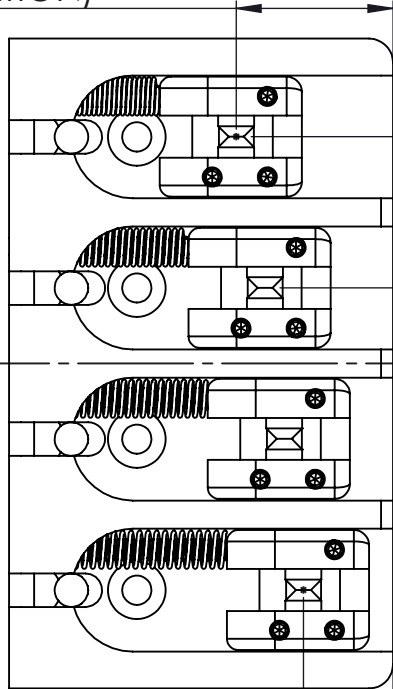


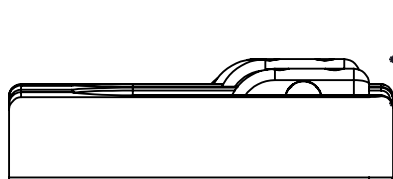
0.82in [21mm]
(MAX INTONATION)



0.47in [12mm]
(MIN INTONATION)

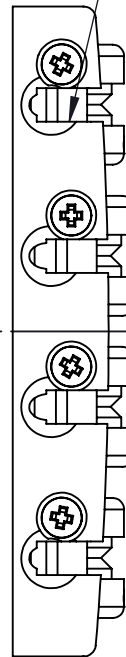
0.787in [20.0mm]
±.062in [1.5mm]
(STRING SPACING)

0.63in [16mm]
(MAX STRING HEIGHT)



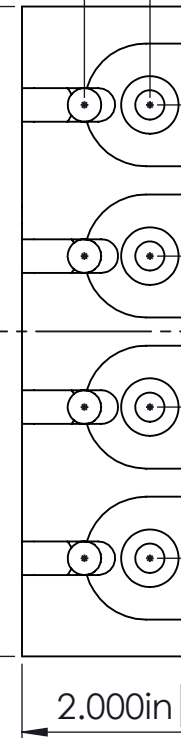
0.40in [10mm]
(MIN STRING HEIGHT)

QUICK RELEASE CHANNELS



3.385in [86.0mm]

1.675in [42.5mm]
1.334in [33.9mm]



2.000in [50.8mm]

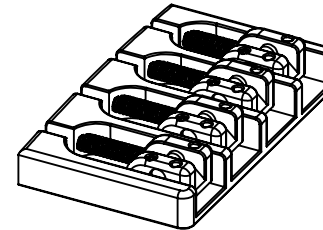
R0.125in [3.2mm]

1.181in [30.0mm]

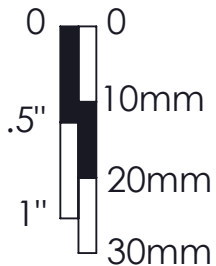
0.394in [10.0mm]

1.181in [30.0mm]

0.394in [10.0mm]



Scale



WEIGHT (WITH MOUNTING HARDWARE):
ALUM: 4.8oz [136g] **BRASS:** 9.7oz [275g]

THIS DRAWING IS THE SOLE PROPERTY OF HIPSHOT PRODUCTS, INC. ALL RIGHTS ARE RESERVED. DIMENSIONS AND PRODUCT FEATURES MAY CHANGE WITHOUT NOTICE.

UNLESS OTHERWISE SPECIFIED: DIMENSIONS ARE IN INCHES TOLERANCE: ± .005

REV DATE:
4/10/2021

5A400-787 4 STG A STYLE
BASS BRIDGE .787 SPACING
DIMENSIONS



8248 STATE ROUTE 96
Interlaken, NY 14847 U.S.A.
TEL: 607-532-9404 FAX: 607-532-9530
E-MAIL: info@hipshotproducts.com