



M-5
CORE RIG
PARTS LIST

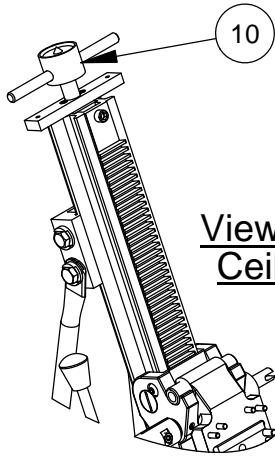
March 9, 2015

Part #1890002

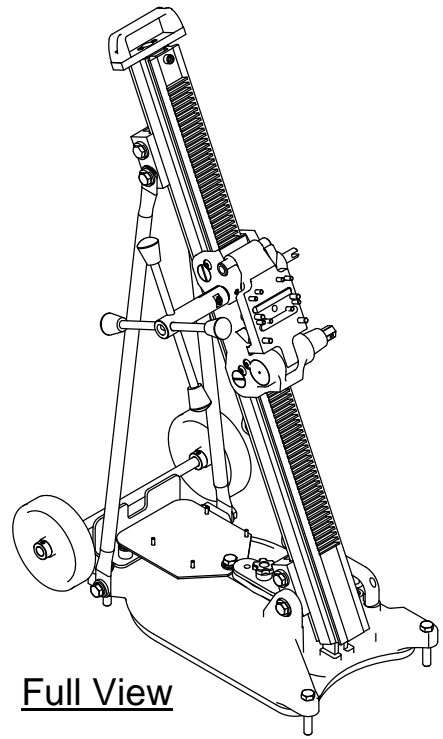
Table of Contents

| | |
|---|---------|
| Combination Angle Stand Assembly | 4 - 5 |
| Anchor Drill Stand Assembly..... | 6 - 7 |
| Combination Angle Base Assembly..... | 8 - 9 |
| Vacuum Pump Assembly (115V)..... | 10 |
| Vacuum Pump Assembly (230V)..... | 11 |
| Single Switch/Dual Outlet (115V) | 12 |
| Dual Switch/Dual Outlet for Weka Motor (230V)..... | 14 - 15 |
| Dual Switch/Dual Outlet for Weka Motor (115V)..... | 16 - 17 |
| Carriage Assembly | 18 |
| Quick Disconnect Motor Mount Assembly..... | 19 |
| Wheel Assembly for Combination Base..... | 20 |
| Wheel Assembly for Anchor Stand | 21 |
| Spoke Handle Assembly..... | 22 |
| Switch Mounting Clamp Assembly | 23 |
| Slot Cap Assembly..... | 23 |
| Anchor/Swivel Masts for Combination Angle Stand | 24 |
| Anchor Mast for Anchor Stand | 25 |
| Warranty..... | 28 |
| Accessories | |
| Quick Disconnect Outrigger Extensions 7" | 26 |
| Quick Disconnect Outrigger Extension 10" | 26 |

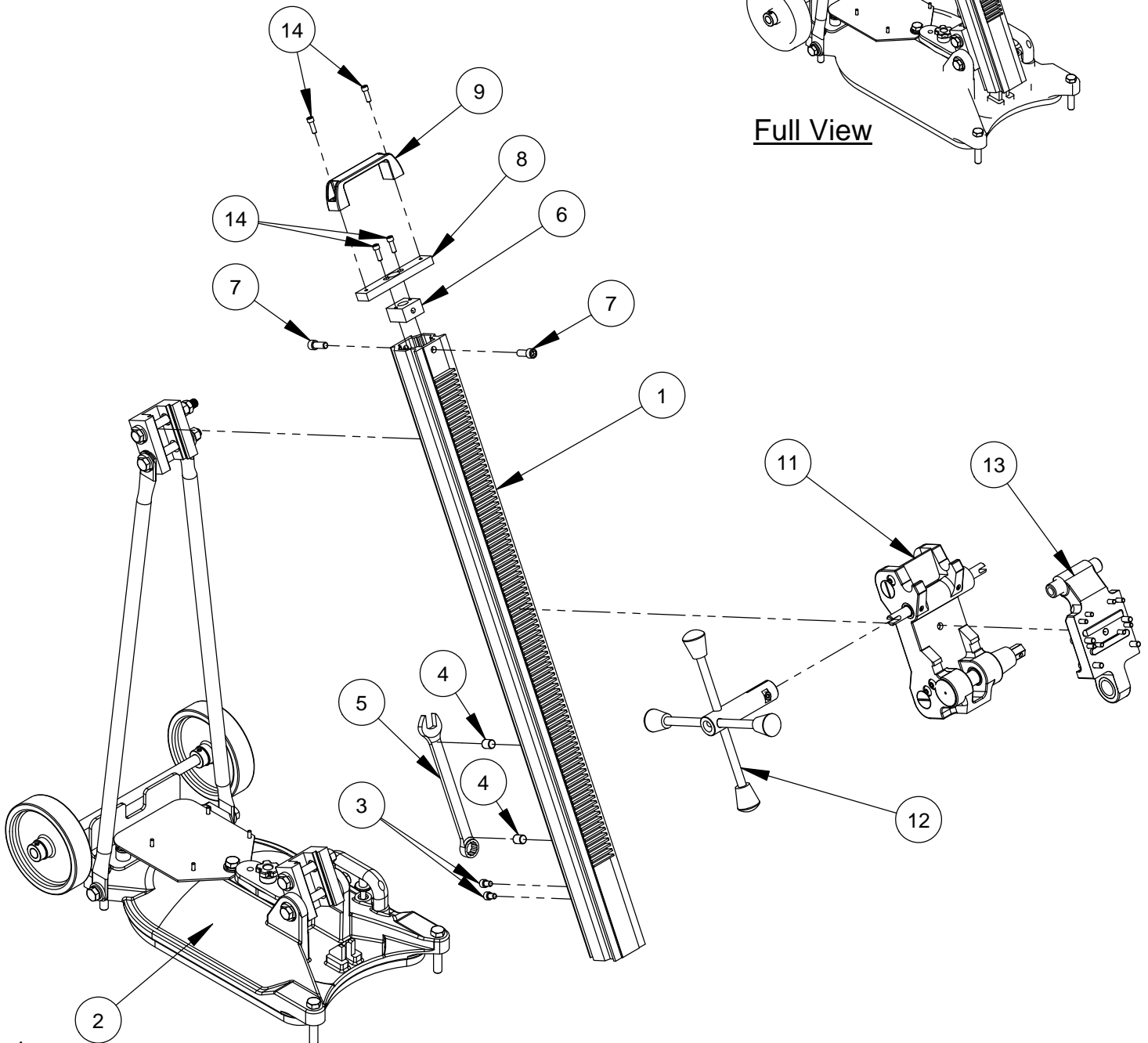
M5 Combination Angle Stand Assembly
with 40" Mast #4220030
with 50" Mast #4220032
with 60" Mast #4220031



View Showing
Ceiling Jack



Full View

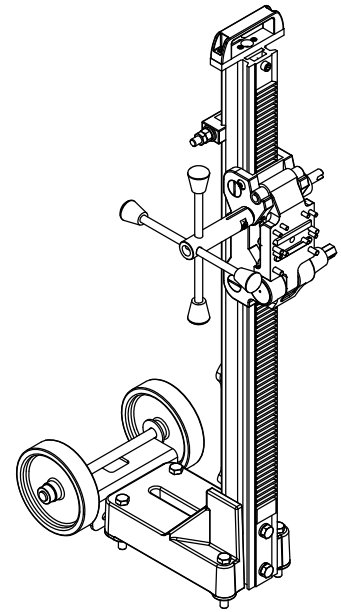
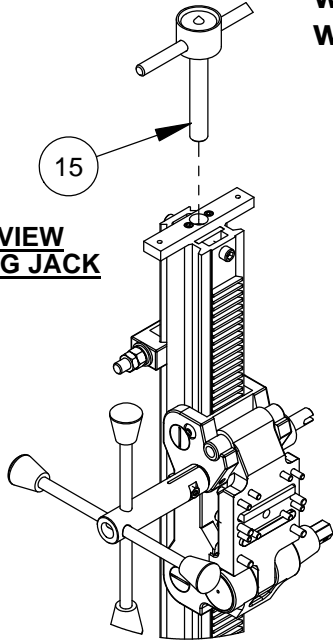


M5 Combination Angle Stand Assembly
with 40" Mast #4220030
with 50" Mast #4220032
with 60" Mast #4220031

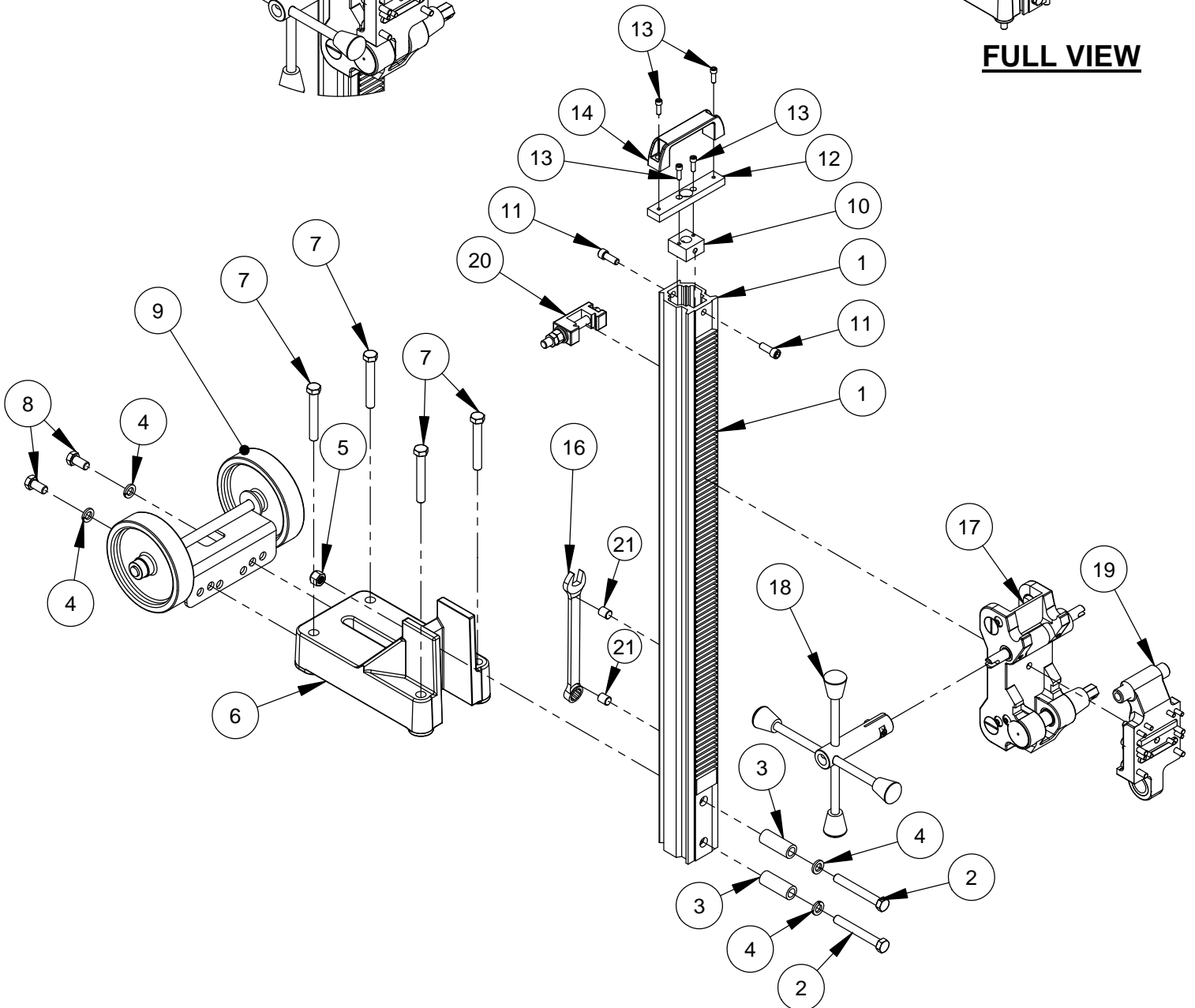
| ITEM | PART NO. | QTY. | DESCRIPTION |
|------|----------|------|-------------------------------------|
| 1 | 4600106 | 1 | M-5 Mast 40" |
| | 4600134 | 1 | M-5 Mast 50" |
| | 4600123 | 1 | M-5 Mast 60" |
| 2 | 4220083 | 1 | Combination Angle Base Assembly |
| 3 | 2900396 | 2 | Cap Screw, Soc. Hd., 5/16-18 x 1/2" |
| 4 | 2400186 | 2 | Magnetic Catch |
| 5 | 2400146 | 1 | Wrench, 3/4" Combination |
| 6 | 4600121 | 1 | Mast Top |
| 7 | 2900175 | 2 | Cap Screw, Soc. Hd., 3/8-16 x 1" |
| 8 | 4600105 | 1 | Handle Plate |
| 9 | 2400145 | 1 | Handle |
| 10 | 4645016 | 1 | Ceiling Jack |
| 11 | 4600128 | 1 | M-5 Carriage Assembly |
| 12 | 4600129 | 1 | M-5 Spoke Handle Assembly |
| 13 | 4600130 | 1 | QD Motor Mount Assembly |
| 14 | 2900247 | 4 | Cap Screw, Soc. Hd., 1/4-20 x 3/4" |

M-5 Anchor Drill Stand Assembly
 with 40" Mast #4220080
 with 50" Mast #4220082
 with 60" Mast #4220081

**PARTIAL VIEW
 WITH CEILING JACK**



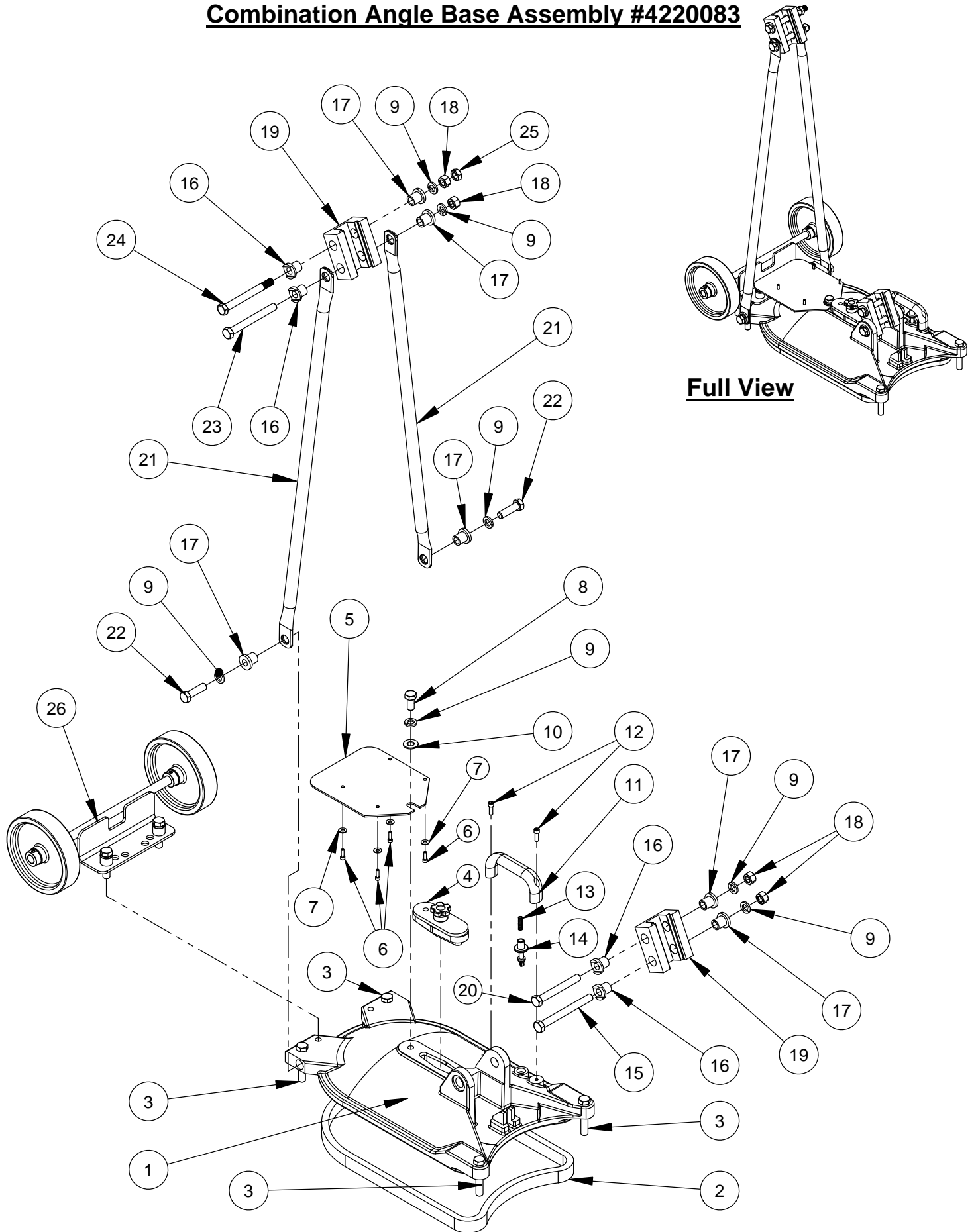
FULL VIEW



M-5 Anchor Drill Stand Assembly
with 40" Mast #4220080
with 50" Mast #4220082
with 60" Mast #4220081

| ITEM | PART NO. | QTY. | DESCRIPTION |
|------|----------|------|-------------------------------------|
| 1 | 4600115 | 1 | M-5 Anchor Mast 40" |
| | 4600135 | 1 | M-5 Anchor Mast 50" |
| | 4600127 | 1 | M-5 Anchor Mast 60" |
| 2 | 2900400 | 2 | Cap Screw, Hex Hd., 1/2-13 x 3-3/4" |
| 3 | 4600117 | 2 | Mast Bushing |
| 4 | 2900084 | 4 | Lock Washer, 1/2" Split |
| 5 | 2900129 | 1 | 1/2"-13 Jam Nut |
| 6 | 4645038 | 1 | M-1 Anchor Base |
| 7 | 2900542 | 4 | Tap Bolt, Hex Hd., 1/2-13 x 3-1/2" |
| 8 | 2900086 | 2 | Cap Screw, Hex Hd., 1/2-13 x 1" |
| 9 | 4645046 | 1 | Wheel Assembly |
| 10 | 4600121 | 1 | Mast Top |
| 11 | 2900175 | 2 | Cap Screw, Soc. Hd., 3/8-16 x 1" |
| 12 | 4600105 | 1 | Handle Plate |
| 13 | 2900247 | 4 | Cap Screw, Soc. Hd., 1/4-20 x 3/4" |
| 14 | 2400145 | 1 | Handle |
| 15 | 4645016 | 1 | Ceiling Jack |
| 16 | 2400146 | 1 | Wrench, 3/4" Combination |
| 17 | 4600128 | 1 | M-5 Carriage Assembly |
| 18 | 4600129 | 1 | M-5 Spoke Handle Assembly |
| 19 | 4600130 | 1 | QD Motor Mount Assembly |
| 20 | 4600139 | 1 | Switch Mounting Clamp Assembly |
| 21 | 2400186 | 2 | Magnetic Catch |

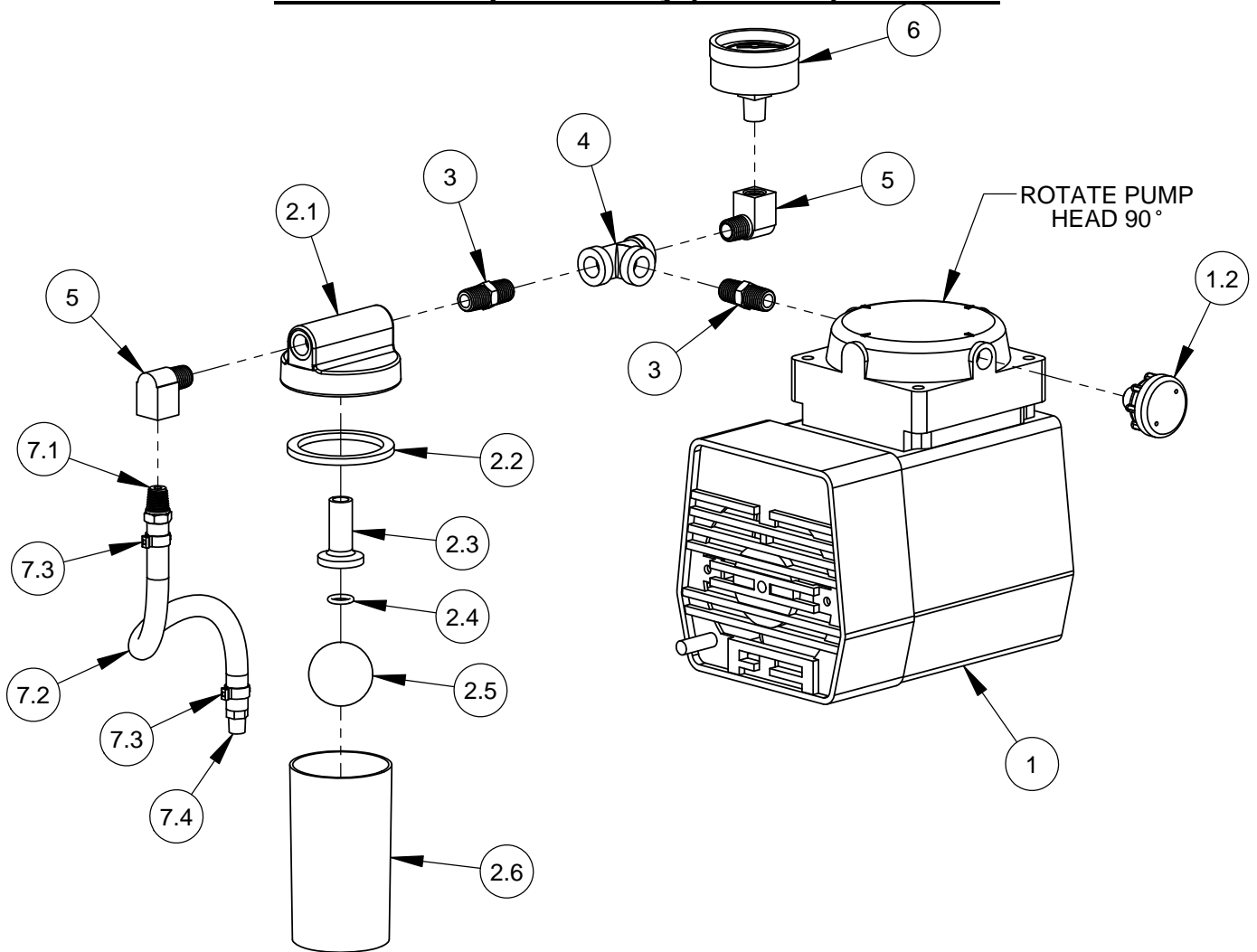
Combination Angle Base Assembly #4220083



Combination Angle Base Assembly #4220083

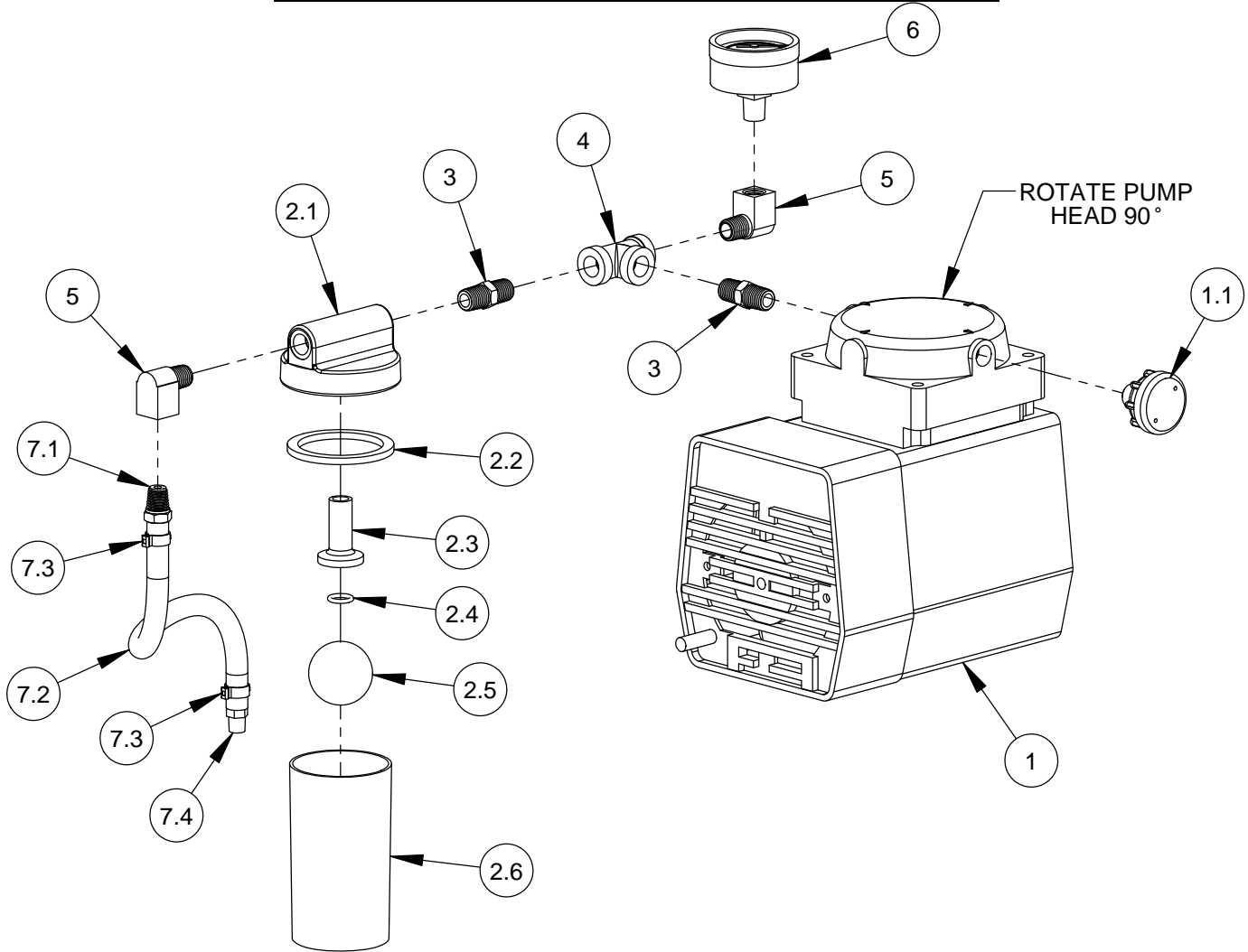
| ITEM | PART NO. | QTY. | DESCRIPTION |
|------|----------|------|-------------------------------------|
| 1 | 4600101 | 1 | M-5 Combo Base |
| 2 | 4600132 | 1 | Vacuum Gasket |
| 3 | 2900541 | 4 | Tap Bolt, Hex Hd., 1/2-13 x 2-3/4" |
| 4 | 4600046 | 1 | Slot Cap Assembly |
| 5 | 4600120 | 1 | Vacuum Pump Platform |
| 6 | 2900087 | 4 | Cap Screw, Soc. Hd., #10-32 x 5/8" |
| 7 | 2900016 | 4 | Flat Washer, #10 USS |
| 8 | 2900086 | 1 | Cap Screw, Hex Hd., 1/2-13 x 1" |
| 9 | 2900084 | 7 | Lock Washer, 1/2" Split |
| 10 | 2900058 | 1 | Flat Washer, 1/2" SAE |
| 11 | 4600015 | 1 | Base Handle |
| 12 | 2900247 | 2 | Cap Screw, Soc. Hd., 1/4-20 x 3/4" |
| 13 | 2400149 | 1 | Spring, 1" Long |
| 14 | 4600022 | 1 | Vacuum Release Valve |
| 15 | 2900395 | 1 | Cap Screw, Hex Hd., 1/2-13 x 5" |
| 16 | 2400139 | 4 | Clamping Bushing |
| 17 | 2400140 | 6 | Tension Bushing |
| 18 | 2900037 | 4 | Hex Nut, 1/2-13 |
| 19 | 4600104 | 2 | Mast Sliding Clamp |
| 20 | 2900509 | 1 | Cap Screw, Hex Hd., 1/2-13 x 4" |
| 21 | 4600107 | 2 | Angle Brace Tube |
| 22 | 2900139 | 2 | Cap Screw, Hex Hd., 1/2-13 x 1-3/4" |
| 23 | 2900403 | 1 | Cap Screw, Hex Hd., 1/2-13 x 4-1/2" |
| 24 | 2900504 | 1 | Cap Screw, Hex Hd., 1/2-13 x 4-3/4" |
| 25 | 2900129 | 1 | Jam Nut, 1/2-13 |
| 26 | 4600125 | 1 | Wheel Assembly |

Vacuum Pump Assembly (115 Volt) #4244090



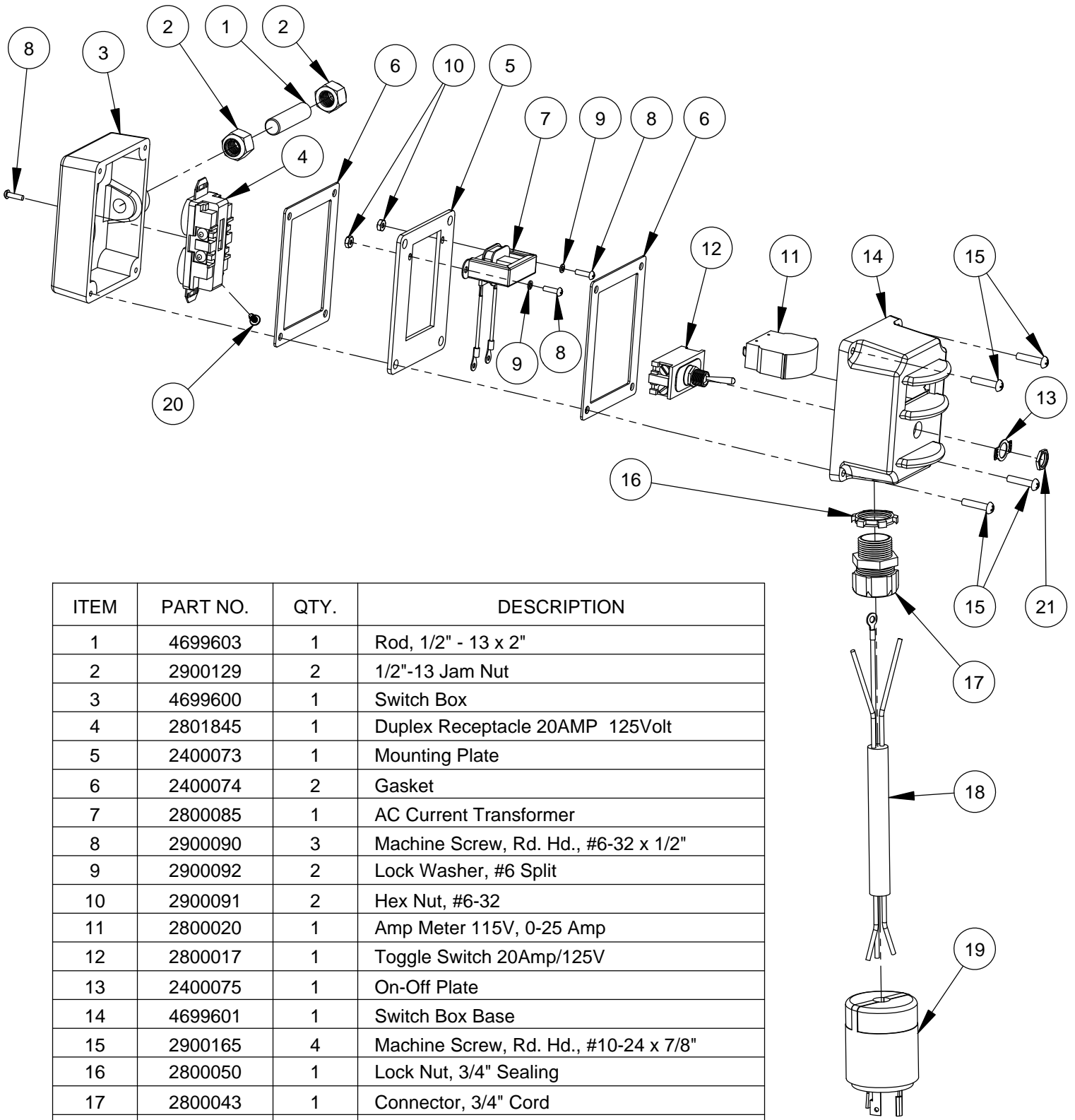
| ITEM | PART NO. | QTY. | DESCRIPTION |
|------|----------|------|---|
| 1 | 2600016 | 1 | Vacuum Pump |
| 1.2 | 2700168 | 1 | Muffler |
| 2 | 2700171 | 1 | Water Jar Assembly |
| 2.1 | 2700014 | 1 | Water Jar Lid |
| 2.2 | 2700017 | 1 | Water Jar Gasket |
| 2.3 | 2700015 | 1 | Funnel Fitting |
| 2.4 | 2700016 | 1 | O-Ring |
| 2.5 | 2700172 | 1 | Float Ball |
| 2.6 | 2700170 | 1 | Water Trap Jar |
| 3 | 3200060 | 2 | Hex Nipple, 1/4" NPT |
| 4 | 3200010 | 1 | Pipe Tee, 1/4" FPT |
| 5 | 3200012 | 2 | Street Elbow, 1/4" NPT |
| 6 | 2700164 | 1 | Gauge, Vacuum |
| 7 | 4699490 | 1 | Hose Assembly |
| 7.1 | 3200019 | 1 | Fitting, 1/4" M. Pipe to 1/4" Hose Barb |
| 7.2 | 4699430 | 1 | Air Hose, 9-1/4" Long |
| 7.3 | 3200017 | 2 | Clamp, Pinch On |
| 7.4 | 3200018 | 1 | Fitting, 1/8" M. Pipe to 1/4" Hose Barb |

Vacuum Pump Assembly (230 Volt) #4244091



| ITEM | PART NO. | QTY. | DESCRIPTION |
|------|----------|------|---|
| 1 | 2600017 | 1 | Vacuum Pump (230 Volt) |
| 1.1 | 2700168 | 1 | Muffler |
| 2 | 2700171 | 1 | Water Jar Assembly |
| 2.1 | 2700014 | 1 | Water Jar Lid |
| 2.2 | 2700017 | 1 | Water Jar Gasket |
| 2.3 | 2700015 | 1 | Funnel Fitting |
| 2.4 | 2700016 | 1 | O-Ring |
| 2.5 | 2700172 | 1 | Float Ball |
| 2.6 | 2700170 | 1 | Water Trap Jar |
| 3 | 3200060 | 2 | Hex Nipple, 1/4" NPT |
| 4 | 3200010 | 1 | Pipe Tee, 1/4" FPT |
| 5 | 3200012 | 2 | Street Elbow, 1/4" NPT |
| 6 | 2700164 | 1 | Gauge, Vacuum |
| 7 | 4699490 | 1 | Hose Assembly |
| 7.1 | 3200019 | 1 | Fitting, 1/4" M. Pipe to 1/4" Hose Barb |
| 7.2 | 4699430 | 1 | Air Hose, 9-1/4" Long |
| 7.3 | 3200017 | 2 | Clamp, Pinch On |
| 7.4 | 3200018 | 1 | Fitting, 1/8" M. Pipe to 1/4" Hose Barb |

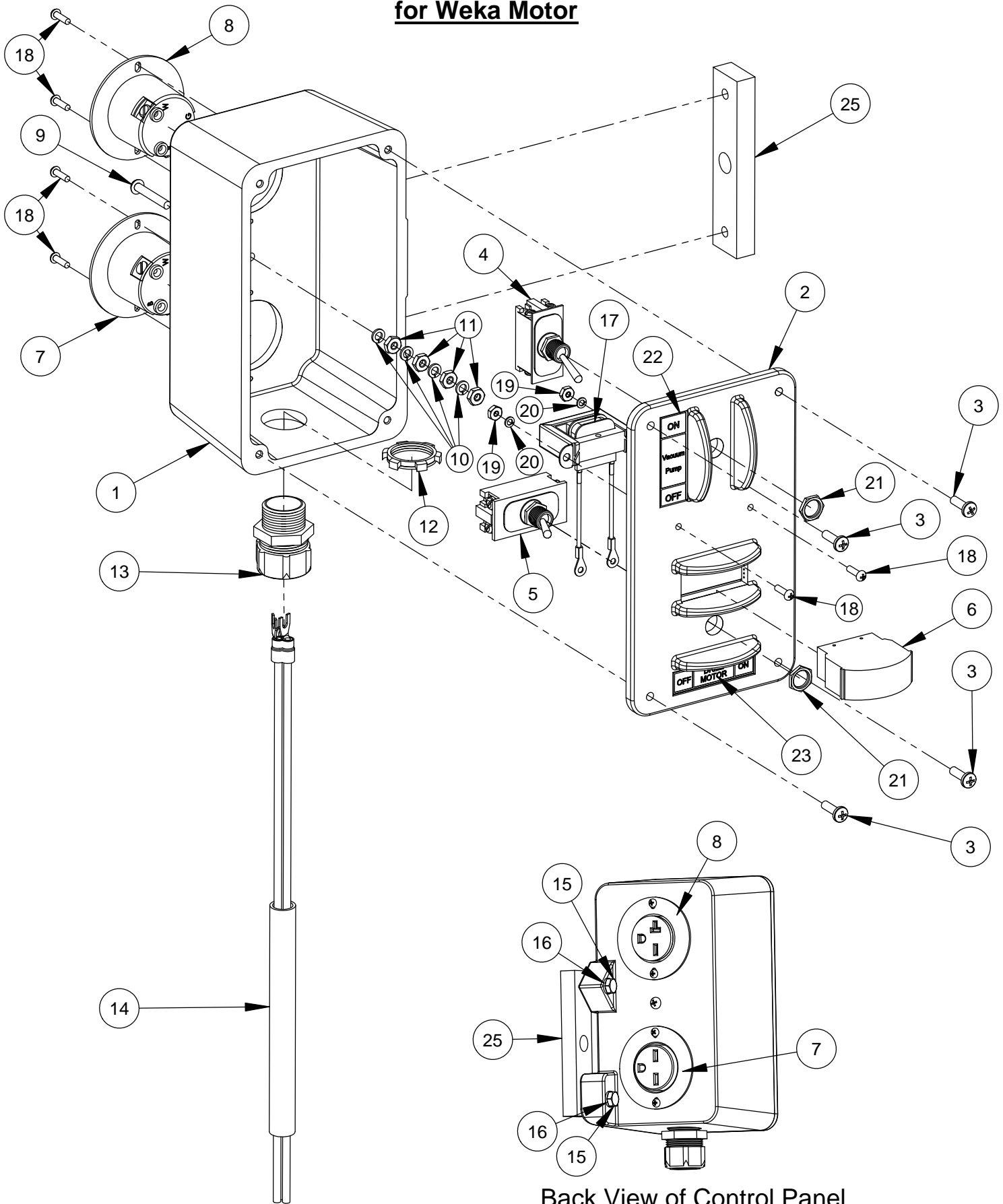
Single Switch/Dual Outlet #4277537 115 Volt



| ITEM | PART NO. | QTY. | DESCRIPTION |
|------|----------|------|---|
| 1 | 4699603 | 1 | Rod, 1/2" - 13 x 2" |
| 2 | 2900129 | 2 | 1/2"-13 Jam Nut |
| 3 | 4699600 | 1 | Switch Box |
| 4 | 2801845 | 1 | Duplex Receptacle 20AMP 125Volt |
| 5 | 2400073 | 1 | Mounting Plate |
| 6 | 2400074 | 2 | Gasket |
| 7 | 2800085 | 1 | AC Current Transformer |
| 8 | 2900090 | 3 | Machine Screw, Rd. Hd., #6-32 x 1/2" |
| 9 | 2900092 | 2 | Lock Washer, #6 Split |
| 10 | 2900091 | 2 | Hex Nut, #6-32 |
| 11 | 2800020 | 1 | Amp Meter 115V, 0-25 Amp |
| 12 | 2800017 | 1 | Toggle Switch 20Amp/125V |
| 13 | 2400075 | 1 | On-Off Plate |
| 14 | 4699601 | 1 | Switch Box Base |
| 15 | 2900165 | 4 | Machine Screw, Rd. Hd., #10-24 x 7/8" |
| 16 | 2800050 | 1 | Lock Nut, 3/4" Sealing |
| 17 | 2800043 | 1 | Connector, 3/4" Cord |
| 18 | 4699602 | 1 | Line Cord for Single Switch Control Panel |
| 19 | 2800023 | 1 | Plug, 125V, 30A, Twist Lock |
| 20 | 2900206 | 1 | Tap Screw, Pan Hd., #8-32 x 3/8" |
| 21 | 2900204 | 1 | Nut, Toggle Switch, 15/32"-32 |

Intentionally Blank

**Dual Switch/Dual Outlet Control Panel 230 Volt #4277595
with Control Bracket #4699958
for Weka Motor**



Back View of Control Panel

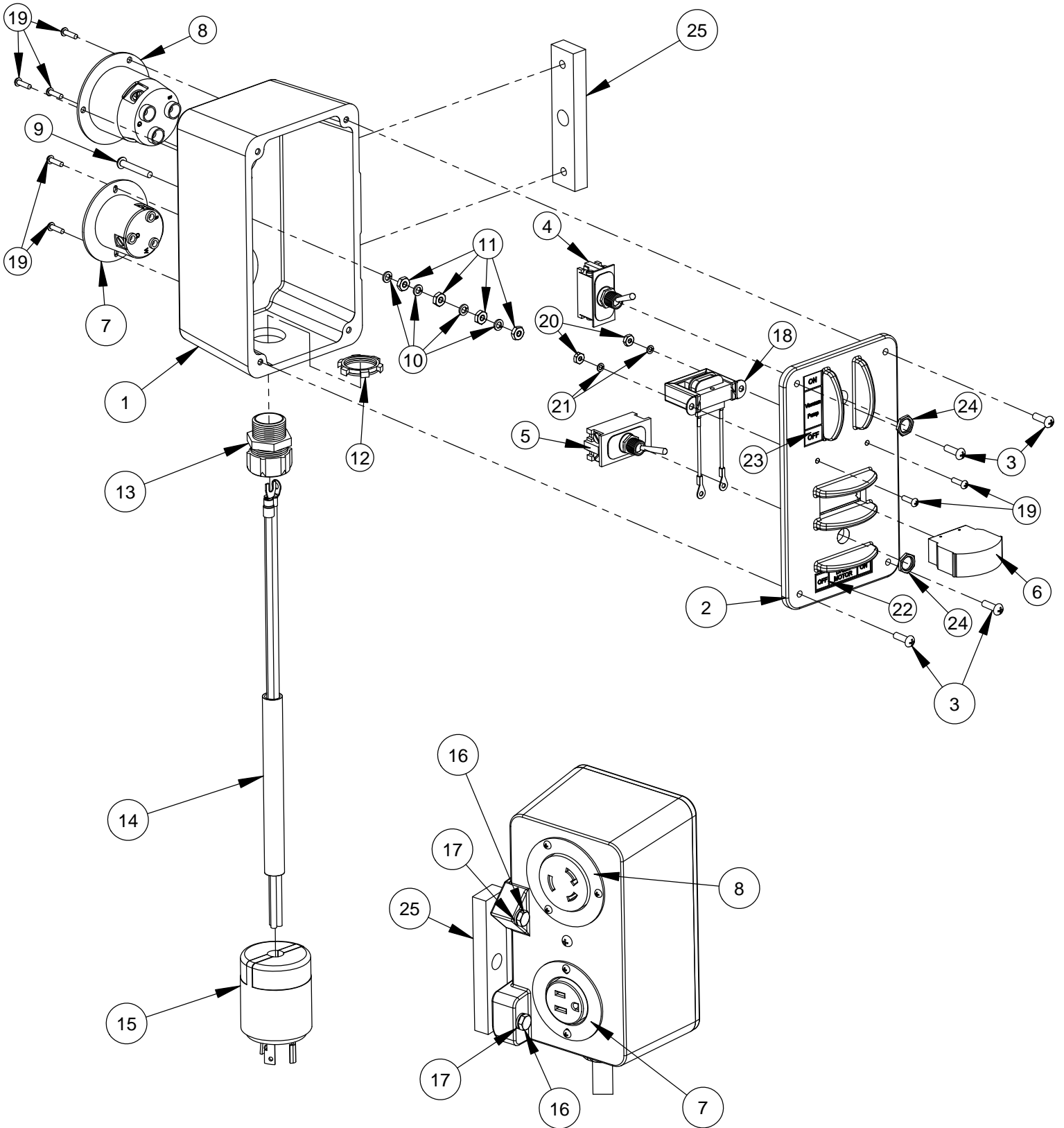
**Dual Switch/Dual Outlet Control Panel 230 Volt #4277595
for Weka Motor**

| ITEM | PART NO. | QTY. | DESCRIPTION |
|------|----------|------|---|
| 1 | 4699440 | 1 | Control Box Body |
| 2 | 4699460 | 1 | Cover Plate |
| 3 | 2900159 | 4 | Machine Screw, Pan Hd., #10-24 x 5/8" |
| 4 | 2800016 | 1 | Toggle Switch, 16A/125V |
| 5 | 2800017 | 1 | Toggle Switch, 20A/125V |
| 6 | 2800020 | 1 | Amp Meter 115V, 0-25 Amp |
| 7 | 2800045 | 1 | Flanged Outlet, 15 Amp, 250 Volt |
| 8 | 2800046 | 1 | Flanged Outlet, 20 Amp, 250 Volt |
| 9 | 2900172 | 1 | Machine Screw, Rd. Hd., #10-24 x 1-1/4" |
| 10 | 2900038 | 4 | Lock Washer, #10 Split |
| 11 | 2900050 | 4 | Hex Nut, #10-24 |
| 12 | 2800050 | 1 | Lock Nut, 3/4" Sealing |
| 13 | 2800043 | 1 | Connector, 3/4" Cord |
| 14 | 4699507 | 1 | Line Cord for 230 Volt - 14" |
| 15 | 2900052 | 2 | 1/4-20 x 1.25" Hex Head Cap Screw |
| 16 | 2900024 | 2 | Lock Washer, 1/4" Split |
| 17 | 2800085 | 1 | AC Current Transformer |
| 18 | 2900090 | 6 | Machine Screw, Rd. Hd., #6-32 x 1/2" |
| 19 | 2900091 | 2 | Hex Nut, #6-32 |
| 20 | 2900092 | 2 | Lock Washer, #6 Split |
| 21 | 2900204 | 2 | Nut, Toggle Switch, 15/32"-32 |
| 22 | 1800254 | 1 | ON/OFF Vacuum Pump Label |
| 23 | 1800253 | 1 | ON/OFF Drill Motor Label |

Control Bracket

| ITEM | PART NO. | QTY. | DESCRIPTION |
|------|----------|------|---------------------|
| 25 | 4699958 | 1 | Control Box Bracket |

Dual Switch/Dual Outlet Control Panel 115V #4277594
with Control Bracket #4699958
for Weka Motor



Back View of Control Panel

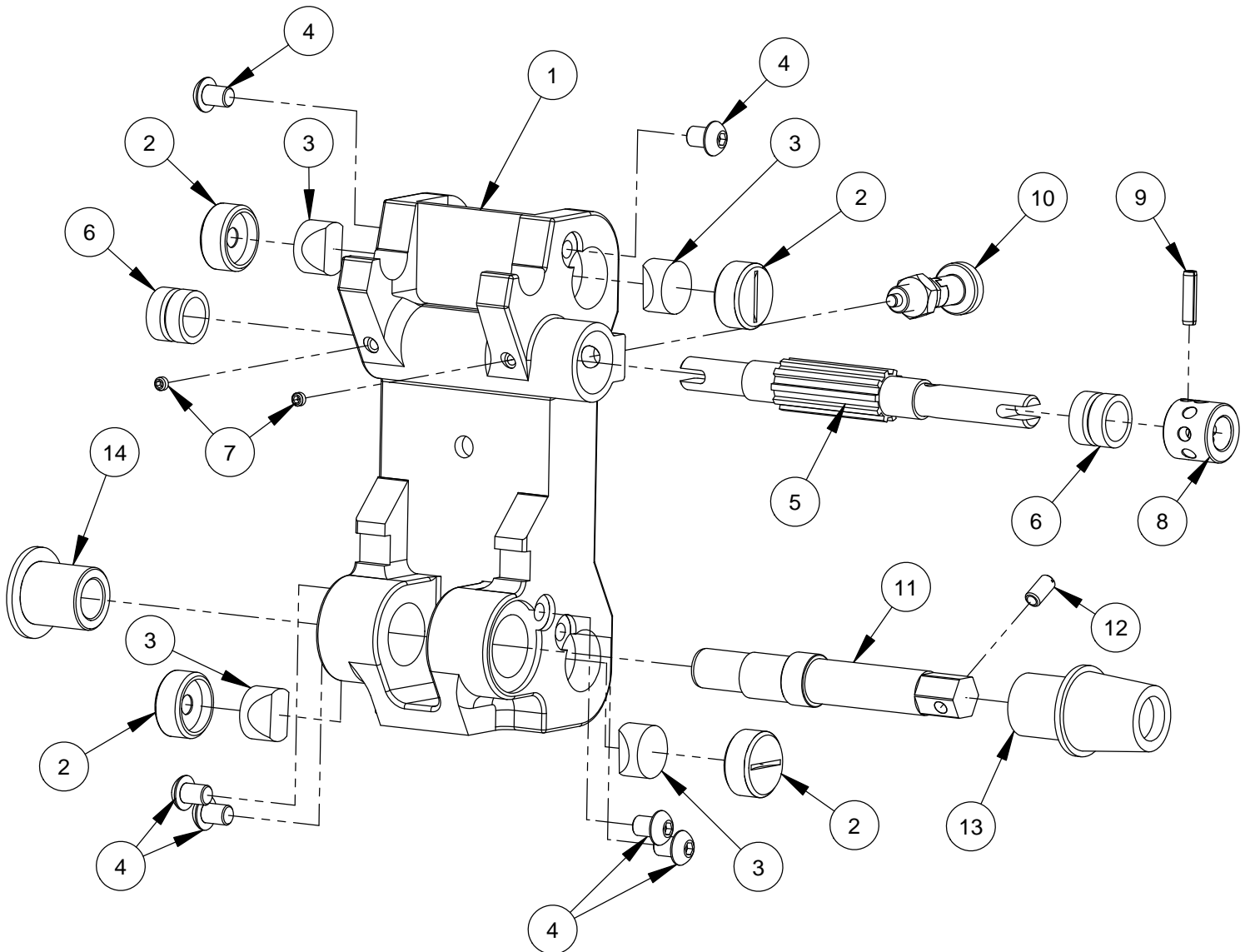
Dual Switch/Dual Outlet Control Panel 115V #4277594
for Weka Motor

| ITEM | PART NO. | QTY. | DESCRIPTION |
|------|----------|------|---|
| 1 | 4699957 | 1 | Control Box |
| 2 | 4699460 | 1 | Cover Plate |
| 3 | 2900159 | 4 | Machine Screw, Rd. Hd., #10-24 x 5/8" |
| 4 | 2800016 | 1 | Toggle Switch 16Amp/125V |
| 5 | 2800017 | 1 | Toggle Switch 20Amp/125V |
| 6 | 2800558 | 1 | Amp Meter 115V, 0-30 Amp |
| 7 | 2800018 | 1 | Flanged Outlet, 15 Amp, 125 Volt |
| 8 | 2800039 | 1 | Flanged Outlet, 30 Amp, 125 Volt |
| 9 | 2900172 | 1 | Machine Screw, Rd. Hd., #10-24 x 1-1/4" |
| 10 | 2900038 | 4 | Lock Washer, #10 Split |
| 11 | 2900050 | 4 | Hex Nut, #10-24 |
| 12 | 2800050 | 1 | Lock Nut, 3/4" Sealing |
| 13 | 2800171 | 1 | Connector, 3/4" Cord |
| 14 | 4699506 | 1 | Line Cord for 115 Volt - 14" |
| 15 | 2800023 | 1 | Plug, 125V, 30A, Twist Lock |
| 16 | 2900052 | 2 | Cap Screw, Hex Hd., 1/4-20 x 1-1/4" |
| 17 | 2900024 | 2 | Lock Washer, 1/4" Split |
| 18 | 2800085 | 1 | AC Current Transformer |
| 19 | 2900090 | 7 | Machine Screw, Rd. Hd., #6-32 x 1/2" |
| 20 | 2900091 | 2 | Hex Nut, #6-32 |
| 21 | 2900092 | 2 | Lock Washer, #6 Split |
| 22 | 1800253 | 1 | ON/OFF Drill Motor Label |
| 23 | 1800254 | 1 | ON/OFF Vacuum Pump Label |
| 24 | 2900204 | 2 | Nut, Toggle Switch, 15/32"-32 |

Control Bracket

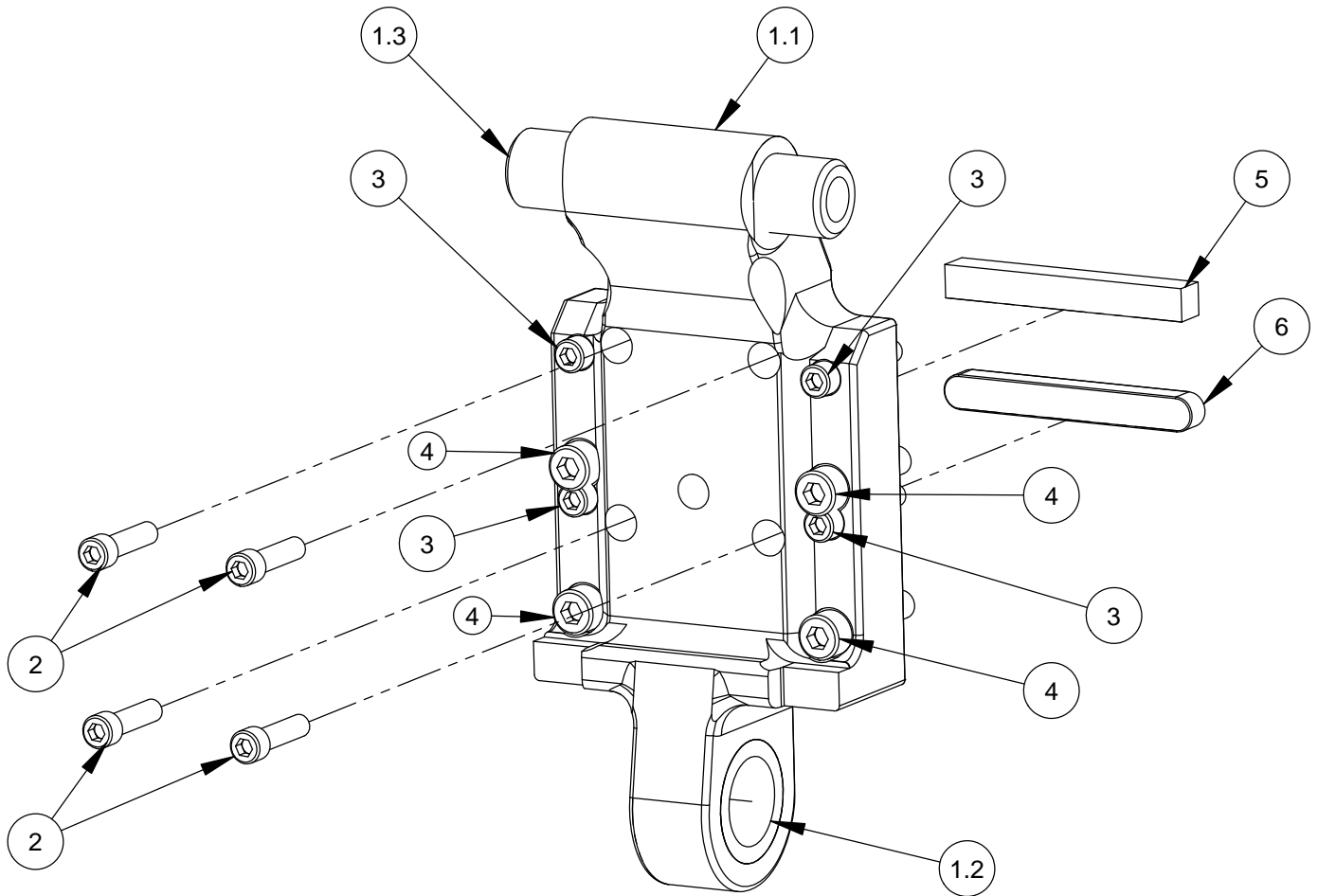
| ITEM | PART NO. | QTY. | DESCRIPTION |
|------|----------|------|---------------------|
| 25 | 4699958 | 1 | Control Box Bracket |

M-5 Carriage Assembly #4600128



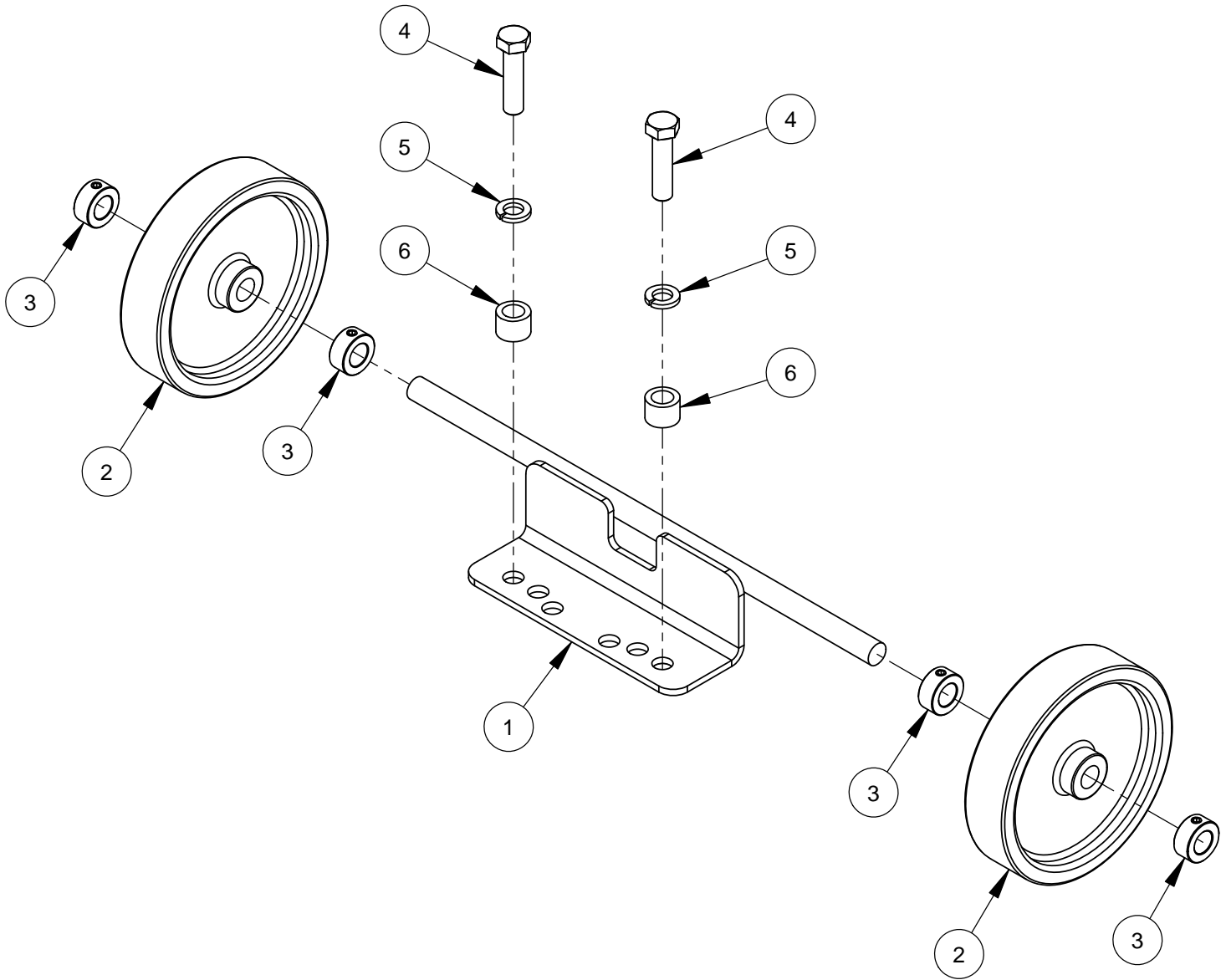
| ITEM | PART NO. | QTY. | DESCRIPTION |
|------|----------|------|---|
| 1 | 4600102 | 1 | M-5 Carriage |
| 2 | 4600017 | 4 | Guide Adjuster |
| 3 | 4600018 | 4 | Carriage Guide |
| 4 | 2900285 | 6 | Cap Screw, Button Hd., 3/8-24 x 1/2" |
| 5 | 4600112 | 1 | M-5 Pinion Gear |
| 6 | 2400141 | 2 | Pinion Bearing |
| 7 | 2900386 | 2 | Set Screw, Soc. Cone Point, 1/4-20 x 1/4" |
| 8 | 4600113 | 1 | Pinion Lock Bushing |
| 9 | 2900391 | 1 | Roll Pin, 1/4" x 1" |
| 10 | 2400138 | 1 | Indexing Plunger 1/2-13 |
| 11 | 4600108 | 1 | Cam Lock Shaft |
| 12 | 2400143 | 1 | Ball Plunger M8 |
| 13 | 4600109 | 1 | Cam Shaft Housing |
| 14 | 4600110 | 1 | Cam Shaft Bushing |

Quick Disconnect Motor Mount Assembly #4600130



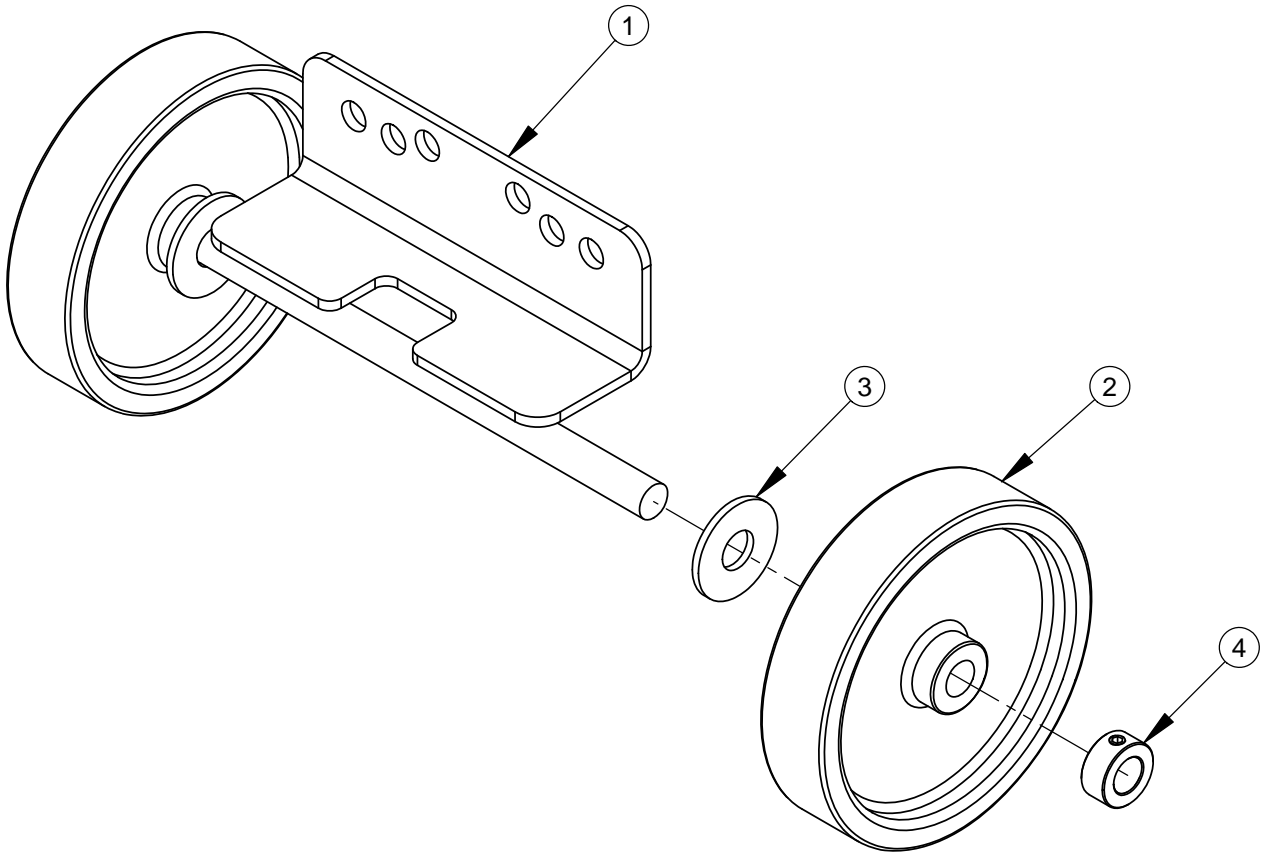
| ITEM | PART NO. | QTY. | DESCRIPTION |
|------|----------|------|-------------------------------------|
| 1 | 4600157 | 1 | QD Motor Mount Assembly |
| 1.1 | 4600103 | 1 | QD Motor Mount |
| 1.2 | 2400144 | 1 | Bronze Bearing, 1-3/8" x 1" |
| 1.3 | 4600111 | 1 | Support Tube |
| 2 | 2900089 | 4 | Cap Screw, Soc. Hd., 1/4-28 x 1" |
| 3 | 2900399 | 4 | Cap Srew, Soc Hd., 1/4-20 x 1-1/2" |
| 4 | 2900398 | 4 | Cap Screw, Soc. Hd., M8-1.25 x 40mm |
| 5 | 4600131 | 1 | Key, 3/8" Sq. x 3" |
| 6 | 2900397 | 1 | Parallel Key, 10mm x 8mm x 80mm |

Wheel Assembly #4600125
for Combination Base



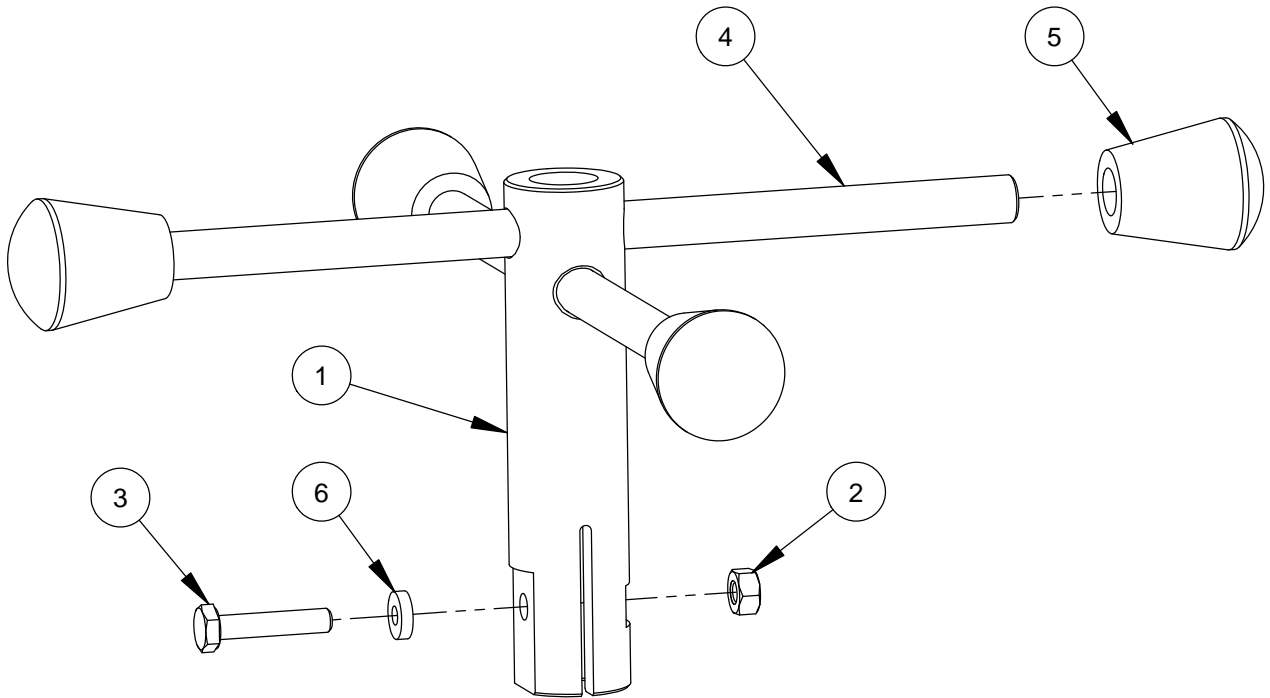
| ITEM | PART NO. | QTY. | DESCRIPTION |
|------|----------|------|---------------------------------|
| 1 | 4646079 | 1 | Wheel Mount Bracket |
| 2 | 2400004 | 2 | Wheel, 6" |
| 3 | 2500008 | 4 | Set Collar, 5/8" with Set Screw |
| 4 | 2900106 | 2 | Cap Screw, Hex Hd., 1/2-13 x 2" |
| 5 | 2900084 | 2 | Lock Washer, 1/2" Split |
| 6 | 4600126 | 2 | Spacer, 5/8" Long |

Wheel Assembly #4645046
for Anchor Stand



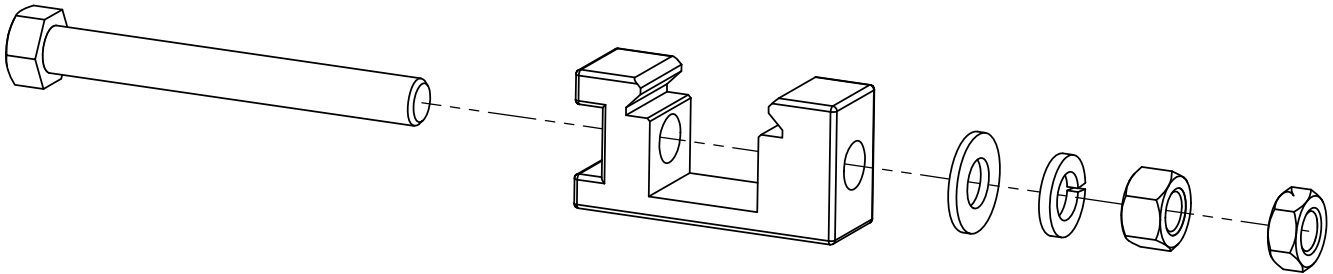
| ITEM | PART NO. | QTY. | DESCRIPTION |
|------|----------|------|---------------------------------|
| 1 | 4646077 | 1 | Wheel Mount Bracket Assembly |
| 2 | 2400004 | 2 | Wheel, 6" |
| 3 | 2900128 | 2 | Flat Washer, 5/8" USS |
| 4 | 2500008 | 2 | Set Collar, 5/8" with Set Screw |

M-5 Spoke Handle Assembly #4600129

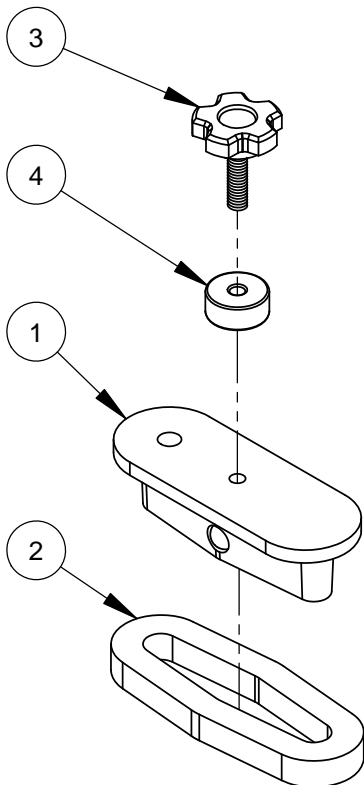


| ITEM | PART NO. | QTY. | DESCRIPTION |
|------|----------|------|-------------------------------------|
| 1 | 4600114 | 1 | Handle Housing |
| 2 | 2900125 | 1 | Hex Nut, 1/4-20 |
| 3 | 2900052 | 1 | Cap Screw, Hex Hd., 1/4-20 x 1-1/4" |
| 4 | 4600012 | 2 | Feed Handle |
| 5 | 2400155 | 4 | Knob, Tapered, Push On |
| 6 | 2900390 | 1 | Washer, 1/4" Cushion |

Switch Mounting Clamp Assembly #4600139



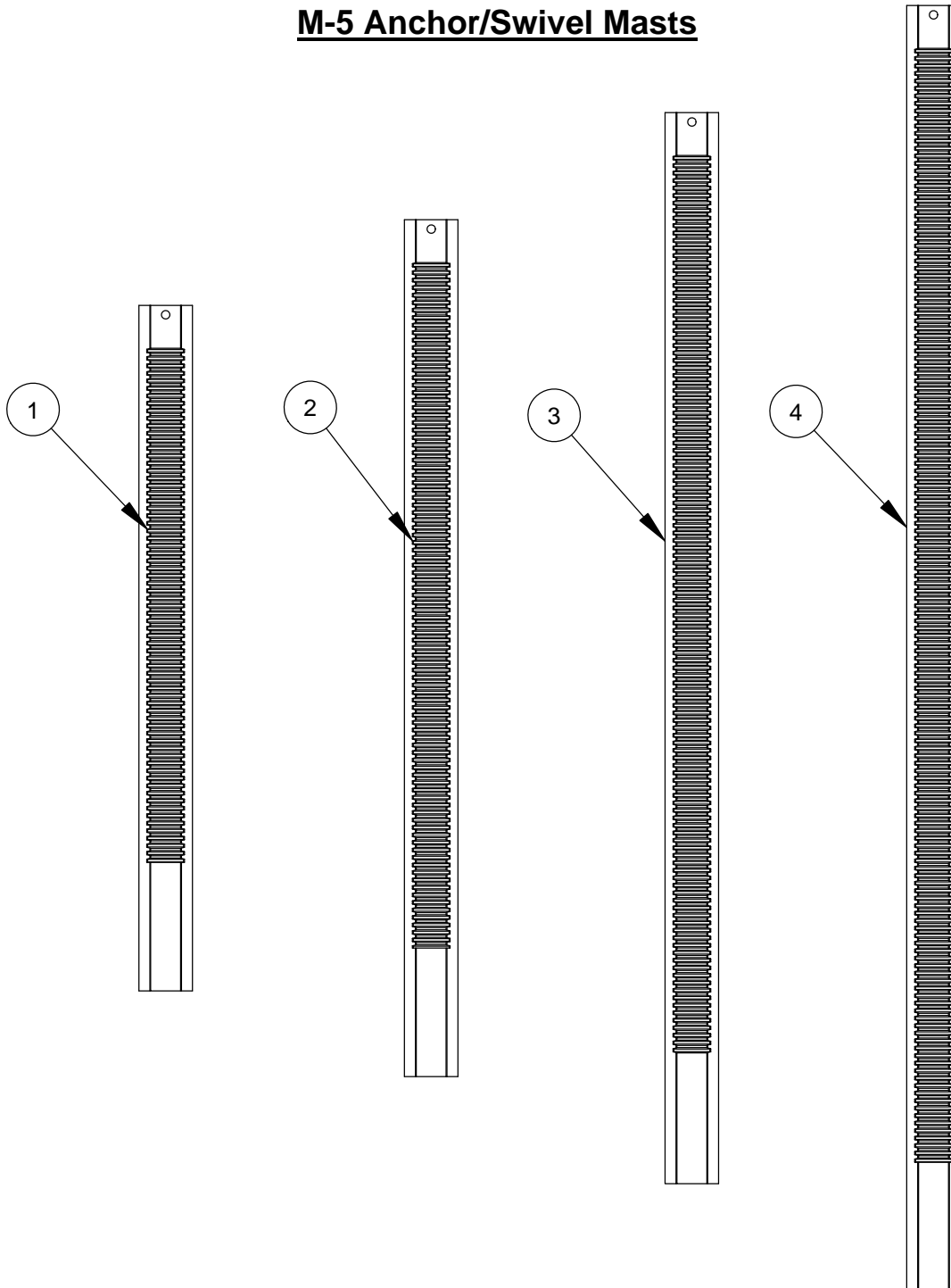
| ITEM | PART NO. | QTY. | DESCRIPTION |
|------|----------|------|-------------------------------------|
| 1 | 4600138 | 1 | Switch Mounting Plate |
| 2 | 2900414 | 1 | Cap Screw, Hex Hd., 1/2-13 x 4-1/4" |
| 3 | 2900058 | 1 | Flat Washer, 1/2" SAE |
| 4 | 2900084 | 1 | Lock Washer, 1/2" Split |
| 5 | 2900037 | 1 | Hex Nut, 1/2-13 |
| 6 | 2900129 | 1 | Jam Nut, 1/2-13 |



Slot Cap Assembly #4600046

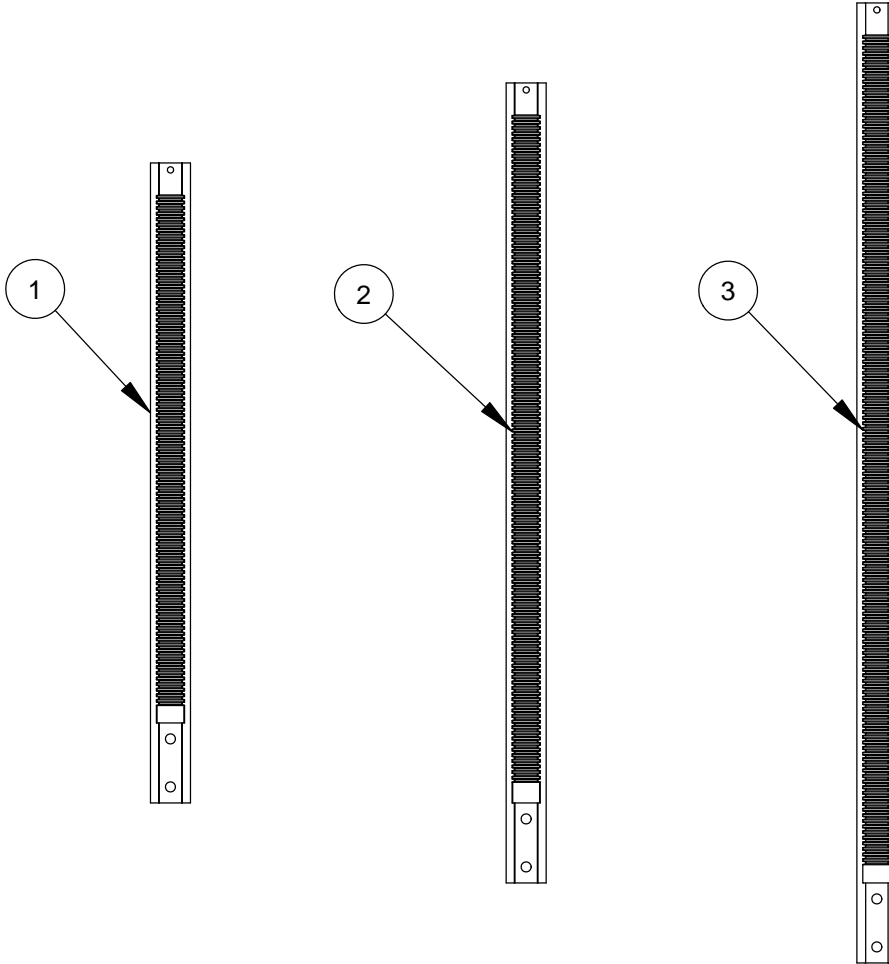
| ITEM | PART NO. | QTY. | DESCRIPTION |
|------|----------|------|---------------------|
| 1 | 4600004 | 1 | Slot Cap with Balls |
| 2 | 2400003 | 1 | Slot Cap Gasket |
| 3 | 2400130 | 1 | Slot Cap Knob |
| 4 | 2400169 | 1 | Knob Gasket |

M-5 Anchor/Swivel Masts

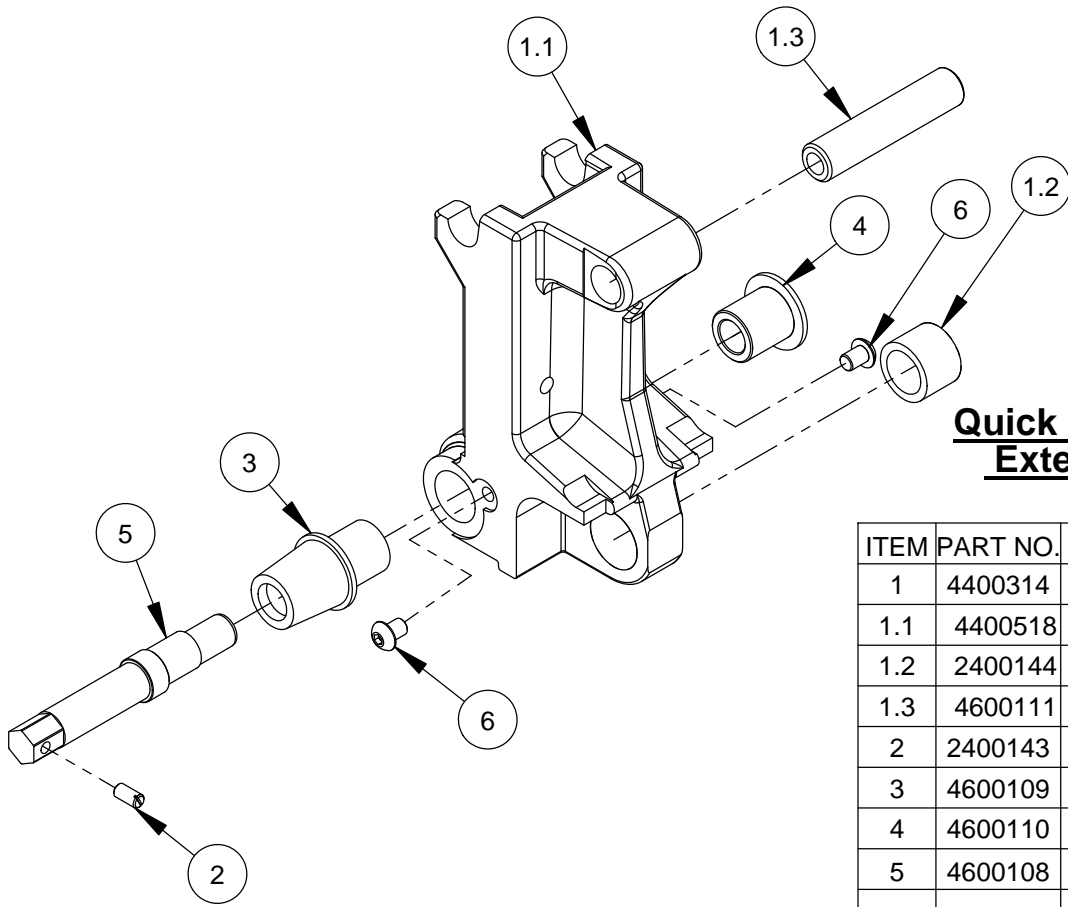


| ITEM | PART NO. | QTY. | DESCRIPTION |
|------|----------|------|----------------------------|
| 1 | 4600122 | 1 | M-5 Anchor/Swivel Mast 32" |
| 2 | 4600106 | 1 | M-5 Anchor/Swivel Mast 40" |
| 3 | 4600134 | 1 | M-5 Anchor/Swivel Mast 50" |
| 4 | 4600123 | 1 | M-5 Anchor Swivel Mast 60" |

M-5 Anchor Masts

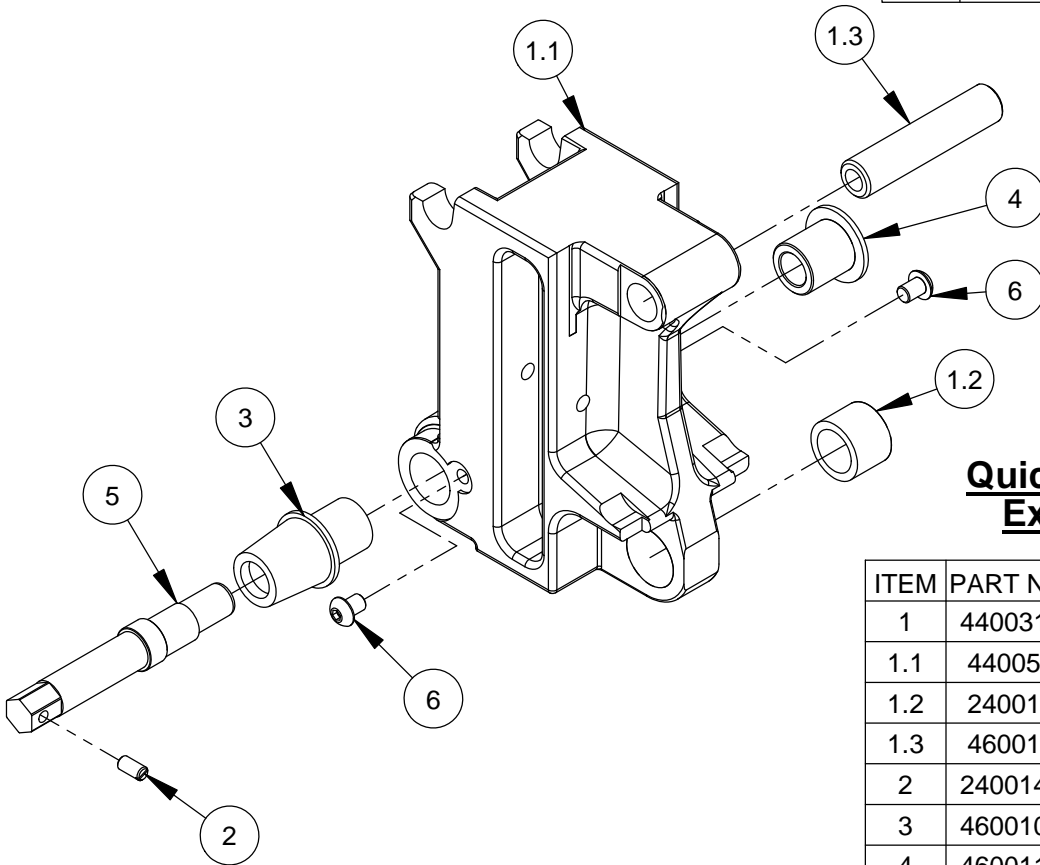


| ITEM | PART NO. | QTY. | DESCRIPTION |
|------|----------|------|---------------------|
| 1 | 4600115 | 1 | M-5 Anchor Mast 40" |
| 2 | 4600135 | 1 | M-5 Anchor Mast 50" |
| 3 | 4600127 | 1 | M-5 Anchor Mast 60" |



**Quick Disconnect Outrigger
Extension 7" #4400312**

| ITEM | PART NO. | QTY. | DESCRIPTION |
|------|----------|------|--------------------------------------|
| 1 | 4400314 | 1 | M-5 QD Outrigger 7" |
| 1.1 | 4400518 | 1 | M-5 Outrigger-7" Extension |
| 1.2 | 2400144 | 1 | Bronze Bearing, 1-3/8" x 1" |
| 1.3 | 4600111 | 1 | Support Tube |
| 2 | 2400143 | 1 | Ball Plunger M8 |
| 3 | 4600109 | 1 | Cam Shaft Housing |
| 4 | 4600110 | 1 | Cam Shaft Bushing |
| 5 | 4600108 | 1 | Cam Lock Shaft |
| 6 | 2900285 | 2 | Cap Screw, Button Hd., 3/8-24 x 1/2" |



**Quick Disconnect Outrigger
Extension 10" #4400313**

| ITEM | PART NO. | QTY. | DESCRIPTION |
|------|----------|------|--------------------------------------|
| 1 | 4400316 | 1 | M-5 QD Outrigger 10" |
| 1.1 | 4400519 | 1 | M-5 Outrigger 10" Extension |
| 1.2 | 2400144 | 1 | Bronze Bearing, 1-3/8" x 1" |
| 1.3 | 4600111 | 1 | Support Tube |
| 2 | 2400143 | 1 | Ball Plunger M8 |
| 3 | 4600109 | 1 | Cam Shaft Housing |
| 4 | 4600110 | 1 | Cam Shaft Bushing |
| 5 | 4600108 | 1 | Cam Lock Shaft |
| 6 | 2900285 | 2 | Cap Screw, Button Hd., 3/8-24 x 1/2" |

EQUIPMENT AND PARTS WARRANTY

Diamond Products warrants all equipment manufactured by it against defects in workmanship or materials for a period of one (1) year from the date of shipment to Customer.

The responsibility of Diamond Products under this Warranty is limited to replacement or repair of defective parts at Diamond Products' Elyria, Ohio factory, or at a point designated by it, of such parts as shall appear to us upon inspection at such parts, to have been defective in material or workmanship, with expense for transportation and labor borne by Customer.

In no event shall Diamond Products be liable for consequential or incidental damages arising out of the failure of any Product to operate properly.

Integral units such as engines, electric motors, batteries, transmissions, etc., are excluded from this Warranty and are subject to the prime manufacturer's warranty.

THIS WARRANTY IS IN LIEU OF ALL OTHER WARRANTIES, EXPRESSED OR IMPLIED, AND ALL SUCH OTHER WARRANTIES ARE HEREBY DISCLAIMED.

