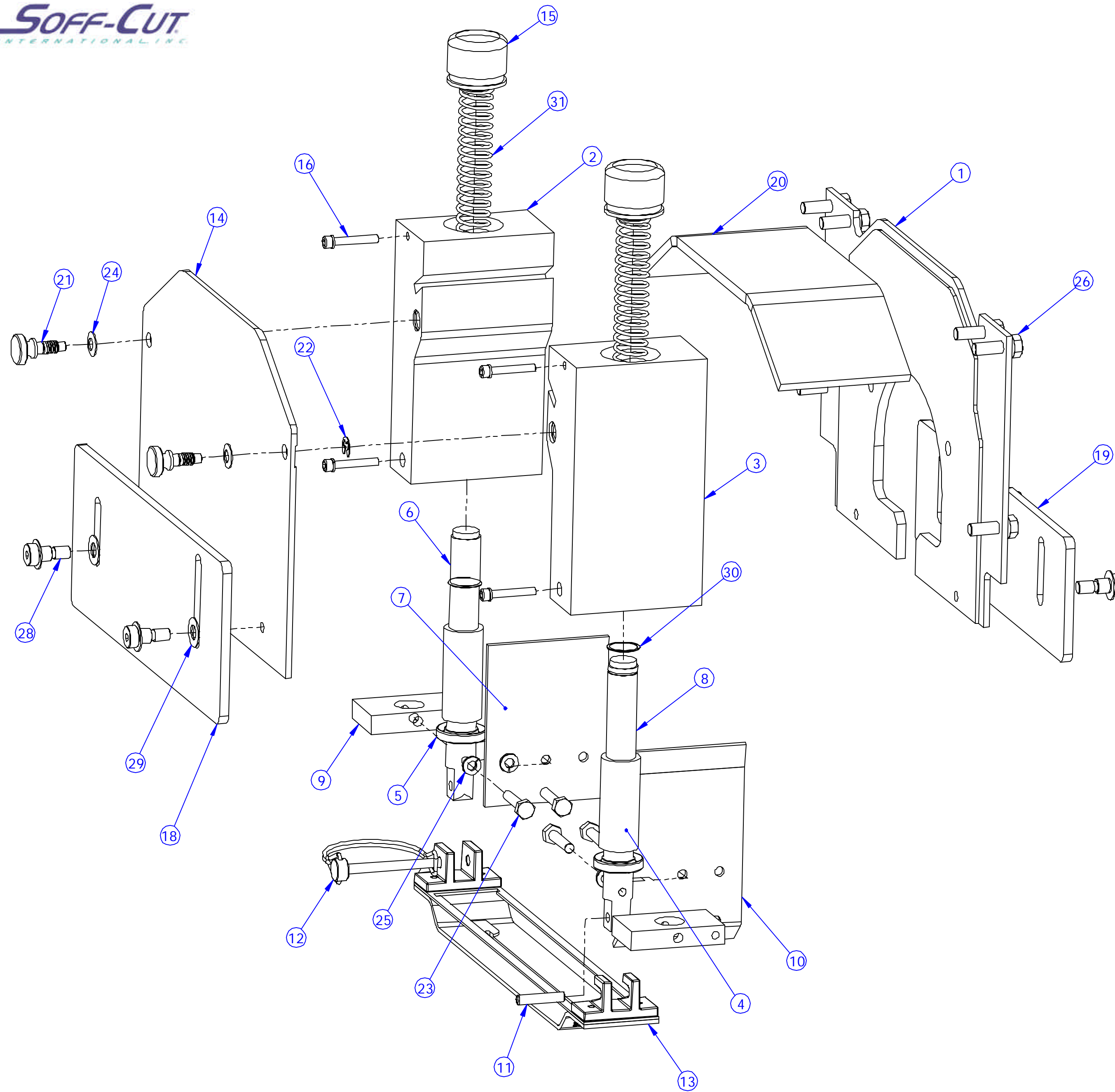


ITEM NO.	PART NO.	DESCRIPTION	QTY.
1	99-G20-7503-06	SHSB, 5/8 x 3/4	1
2	99-G20-8500-02	Bearing, 1.625" OD	2
3	99-X20-2814-00	Arm, Belt Tensioner	1
4	99-G20-7503-08	SHSB, 5/16 x 3/4	1
5	99-X40-4835-00	Spacer, Belt Tensioner	1
6	99-G42-7001-01	Hex Bolt, 3/8-16 x 2	1
7	99-280-7020-04	Washer, 3/8 Delrin	1
8	99-G20-7020-01	Washer, 3/8" Steel	1
9	99-G20-7501-01	Washer, Flat 3/8"	1
10	99-G20-7509-03	Washer, Split 3/8"	2
11	99-G10-7501-00	Washer, Flat 5/16"	3
12	99-X20-7002-06	HHB, 5/16-24 x 1 1/4	1
13	99-G20-7513-01	Nut, Hex 3/8"	1
14	99-G20-8505-01	Spring, Extension	1
15	99-G20-1587-03	Spacer, AL .100" W x 5/8" ID	1
16	99-G80-6602-00	Spacer, Delrin 5/16" ID x 9/16" OD	2
17	99-G20-1518-01	Pulley, Idler	1
18	99-G20-7513-12	Nut, Hex 1/2"	1

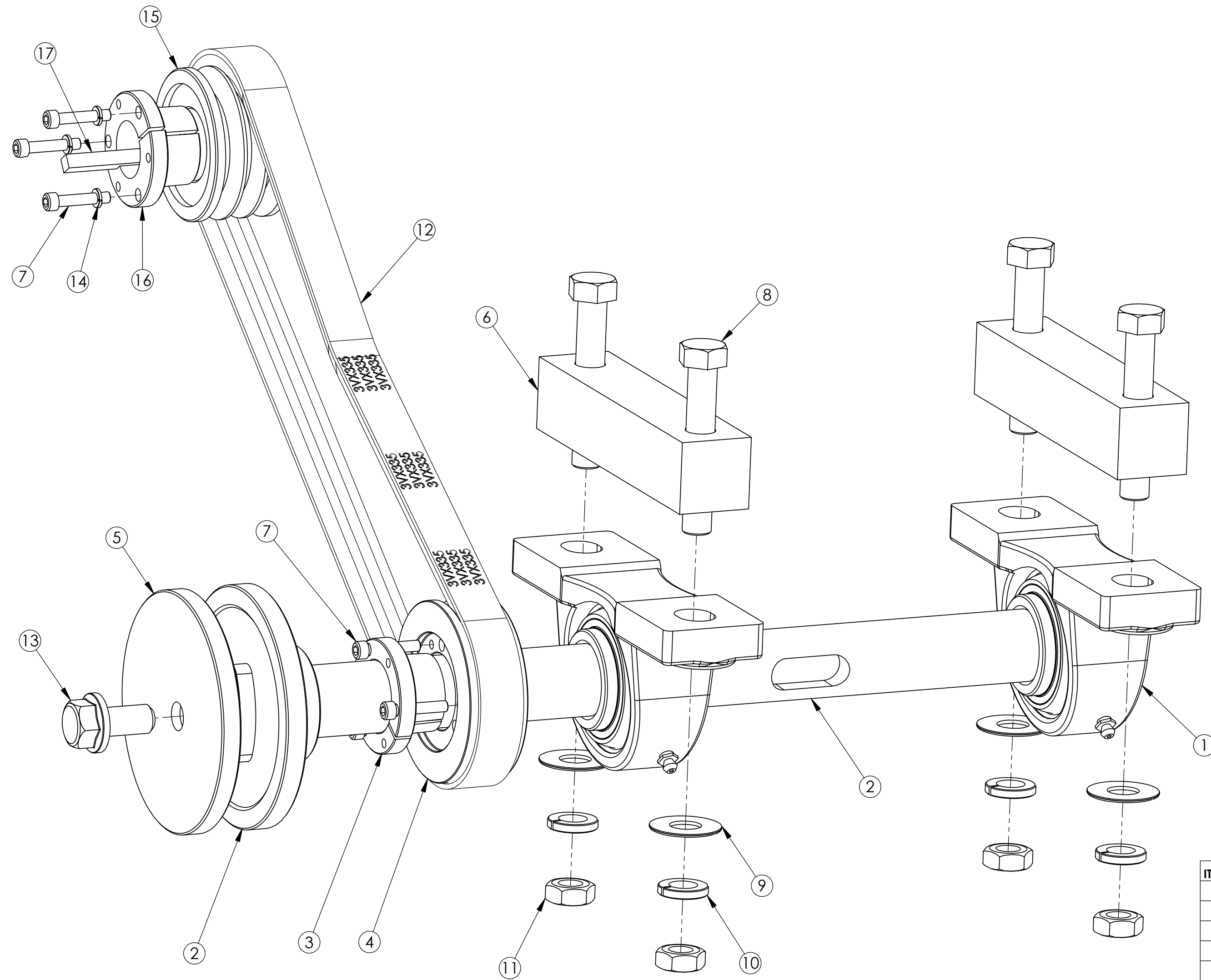
SUB-ASSEMBLY BILL OF MATERIAL

SOFF-CUT INT'L, INC. CLAIMS PROPRIETARY RIGHTS TO THE MATERIAL DISCLOSED IN THIS DOCUMENT. THIS DOCUMENT IS PROVIDED IN CONFIDENCE AND MAY NOT BE REPRODUCED OR DISCLOSED WITHOUT WRITTEN PERMISSION FROM SOFF-CUT INT'L. COPYRIGHT SOFF-CUT INT'L, INC. ALL RIGHTS RESERVED.



ITEM NO.	PART NO.	DESCRIPTION	QTY.
1	99-X20-2807-00	Panel, Back, BB	1
2	99-X20-2808-00	Blade Block, Rear	1
3	99-X20-2809-00	Blade Block, Front	1
4	99-DGA-8552-00	Bushing, Bronze	2
5	99-G20-8506-00	Oil Seal, 1.25" x .7" x .250"	2
6	99-X20-2803-00	Shaft, Blade Block, Rear	1
7	99-X20-2801-00	Diverter, Rear	1
8	99-X20-2802-00	Shaft, Blade Block, Rear	1
9	99-X20-2804-00	Block, Shaft Collar, BB	2
10	99-X20-2800-00	Diverter, Front	1
11	99-G20-7519-08	Dowel Pin	1
12	99-G30-8507-01	Snapper Pin, 1/4 x 2 1/2	1
13	22-G20-0001	10" Skidplate Assembly	1
14	99-X20-2806-00	Cover, BB	1
15	99-X20-2805-00	Cap, BB	2
16	99-150-7002-00	SHCS, 10-32 x 1.25	4
17	99-280-7018-09	Washer, Split #10	4
18	99-X20-2811-00	Lexan, Outer	1
19	99-X20-2810-00	Lexan, Inner	1
20	99-X20-2813-00	Top Cover, BB	1
21	99-G20-1639-01	Knob, BB Cover	2
22	99-G20-8556-02	E-clip, 1/4" Dia	2
23	99-G20-7505-03	Hex Bolt 1/4-20 x 1 1/4	4
24	99-G20-8557-00	Washer, Belleville	2
25	99-280-7018-07	Washer, Split 1/4"	4
26	99-G20-7505-06	HHB 5/16-18 x 1	6
27	99-280-7018-08	Washer, Split 5/16"	6
28	99-G20-7503-05	SHSB, 3/8 x 3/8	4
29	99-280-7020-04	Washer, 3/8 Delrin	8
30	99-G20-7515-01	RR, WS-75 Internal	2
31	99-G20-8505-02	Spring, Compression	2

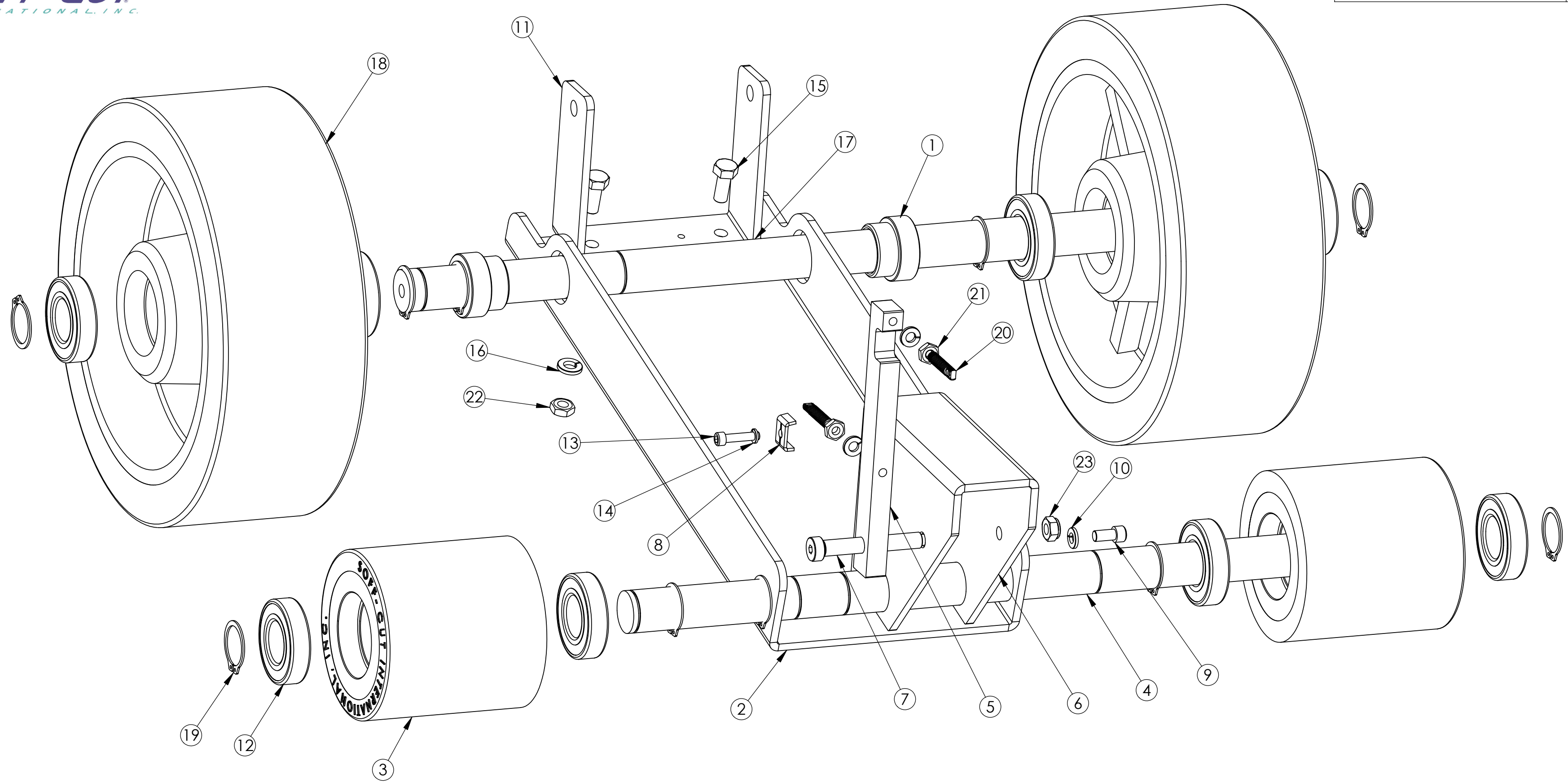
SUB-ASSEMBLY BILL OF MATERIAL



ITEM NO.	PART NO.	DESCRIPTION	QTY.
1	99-X20-8000-00	Pillow Block Bearing, 1 1/4"	2
2	99-G20-1600-00	Blade Shaft	1
3	99-G20-8522-000	Bushing, JA 1 1/4	1
4	99-G20-8521-00	Pulley, 1 3V 315 JA	1
5	99-G20-1601-02	Arbor Washer X2500	1
6	99-X20-2825-00	Spacer, Bearing	2
7	99-G10-7506-01	SHC 10-24 x 1	6
8	99-X20-7002-05	Hex Bolt, 1/2-20 x 3	4
9	99-G20-7510-02	Flat Washer	4
10	99-G20-7509-04	Washer, Split 1/2"	4
11	99-G20-7513-12	Nut, Hex 1/2"	4
12	99-G10-8525-00	Belt, 3VX335	1
13	99-280-7005-04	Flange Hex Bolt, 1/2-13 x 1	1
15	99-G20-8523-00	Sheave, 3 3V 265 QD	1
16	99-DGA-8520-000	Bushing, SH 5/8	1
17	99-G20-8527-09	Key, 1/4 x 1/4 x 2"	1

SUB-ASSEMBLY BILL OF MATERIAL

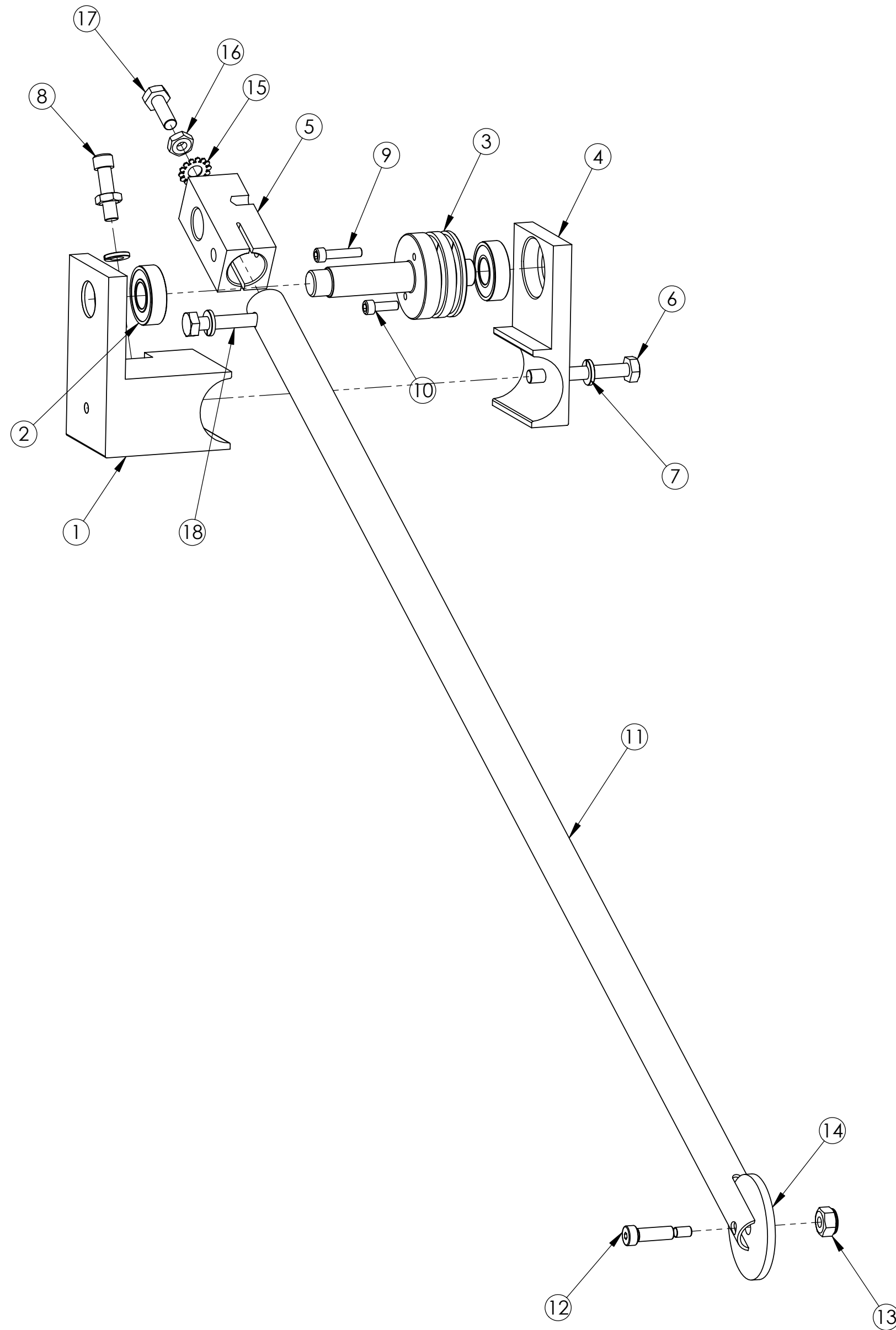
SOFF-CUT INT'L, INC. CLAIMS PROPRIETARY RIGHTS TO THE MATERIAL DISCLOSED IN THIS DOCUMENT. THIS DOCUMENT IS PROVIDED IN CONFIDENCE AND MAY NOT BE REPRODUCED OR DISCLOSED WITHOUT WRITTEN PERMISSION FROM SOFF-CUT INT'L. COPYRIGHT SOFF-CUT INT'L, INC. ALL RIGHTS RESERVED.



ITEM NO.	PART NO.	DESCRIPTION	QTY.
1	99-450-X1001-43	Bushing, Axle	2
2	99-X20-2833-00	Frame, Front Wheel	1
3	99-X20-8501-00	Wheel, 4 x 4 No Hub	2
4	99-X20-2829-00	Shaft, Front Axle	1
5	99-X20-2827-00	Arm, Depth Gauge	1
6	99-X20-2835-00	Bracket, Depth Stop	1
7	99-X20-7000-01	SHSB, 3/8 x 2 1/2	1
8	99-450-8002-01	Clamp, Metal	1
9	99-G20-7006-03	SHC 1/4-20 x 1/2	1
10	99-280-7018-07	Washer, Split 1/4"	3
11	99-X20-2842-00	Bracket, Pump Support	1
12	99-G20-8500-06	Bearing, 1/2" x 1" ID	8
13	99-G20-7506-07	SHC 10-32 x 7/8	1
14	99-280-7018-09	Washer, Split #10	1
15	99-X20-7002-00	Hex Head Bolt 5/16-18 x 3/4	2
16	99-280-7018-08	Washer, Split 5/16"	2
17	99-X20-2830-00	Shaft, Rear Axle	1
18	99-X20-8501-00	Hub, 10" Wheel, Plastic	2
19	99-G20-7514-01	RR, 1" ext	12
20	99-G30-8505-00	Spring Anchor, 1/4-20 x 1	2
21	99-G20-7015-01	Nut, 1/4" Jam	2
22	99-G20-7513-04	Hex Nut, 5/16"	2
23	99-280-7012-05	Nyloc, 5/16-18 x .265T	1

SUB-ASSEMBLY BILL OF MATERIAL

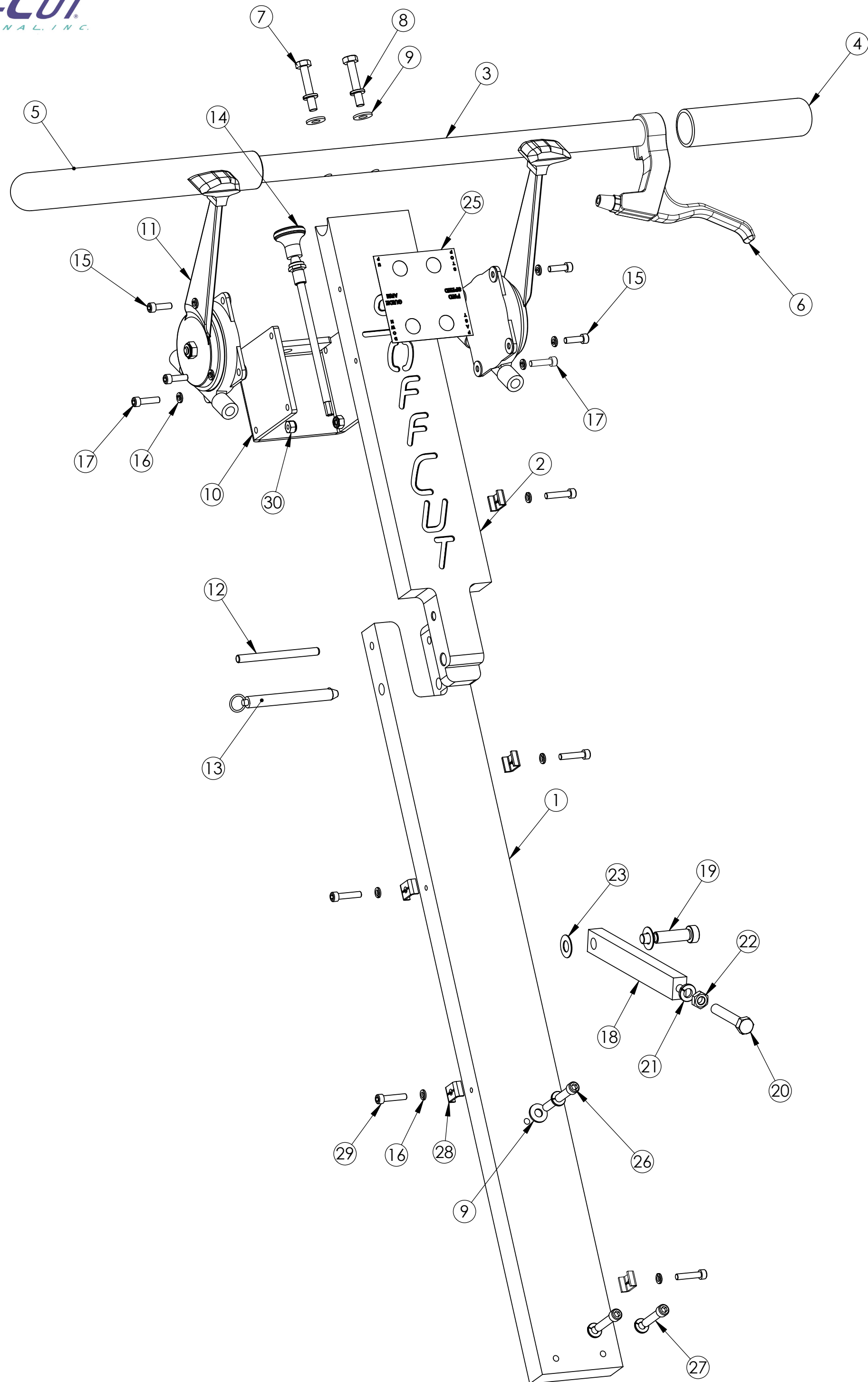
SOFF-CUT INT'L, INC. CLAIMS PROPRIETARY RIGHTS TO THE MATERIAL DISCLOSED IN THIS DOCUMENT. THIS DOCUMENT IS PROVIDED IN CONFIDENCE AND MAY NOT BE REPRODUCED OR DISCLOSED WITHOUT WRITTEN PERMISSION FROM SOFF-CUT INT'L. COPYRIGHT SOFF-CUT INT'L, INC. ALL RIGHTS RESERVED.



ITEM NO.	PART NO.	DESCRIPTION	QTY.
1	99-X20-2819-00	Block, Pulley Mount	1
2	99-450-X1001-40	Bearing, 1/2" ID	2
3	99-X20-2816-00	Pulley, Guide Arm	1
4	99-X20-2818-00	Block, Pulley Mount	1
5	99-X20-2817-00	Block, GA Mount	1
6	99-G20-7505-15	HHB 1/4-20 X 2	1
7	99-280-7018-07	Washer, Split 1/4"	3
8	99-280-7006-01	SHC, 1/4-20 x 1	1
9	99-G20-7506-04	SHCS #8-32 x 3/4	1
10	99-280-7006-08	SHCS #8-32 x 1/2	1
11	99-G10-2576-00	Tube, Guide	1
12	99-G20-7503-02	SHSB, 1/4 X 3/4	1
13	99-280-7012-02	Nut, 1/4" Nyloc	1
14	99-280-1011-00	Wheel, Guide	1
15	99-G20-7511-02	Washer, 1/4" Ext Toothed	1
16	99-G20-7015-01	Nut, 1/4" Jam	2
17	99-280-7005-03	HHB, 1/4-20 x 3/4	1
18	99-G20-7505-03	Hex Bolt 1/4-20 x 1 1/4	1

SUB-ASSEMBLY BILL OF MATERIAL

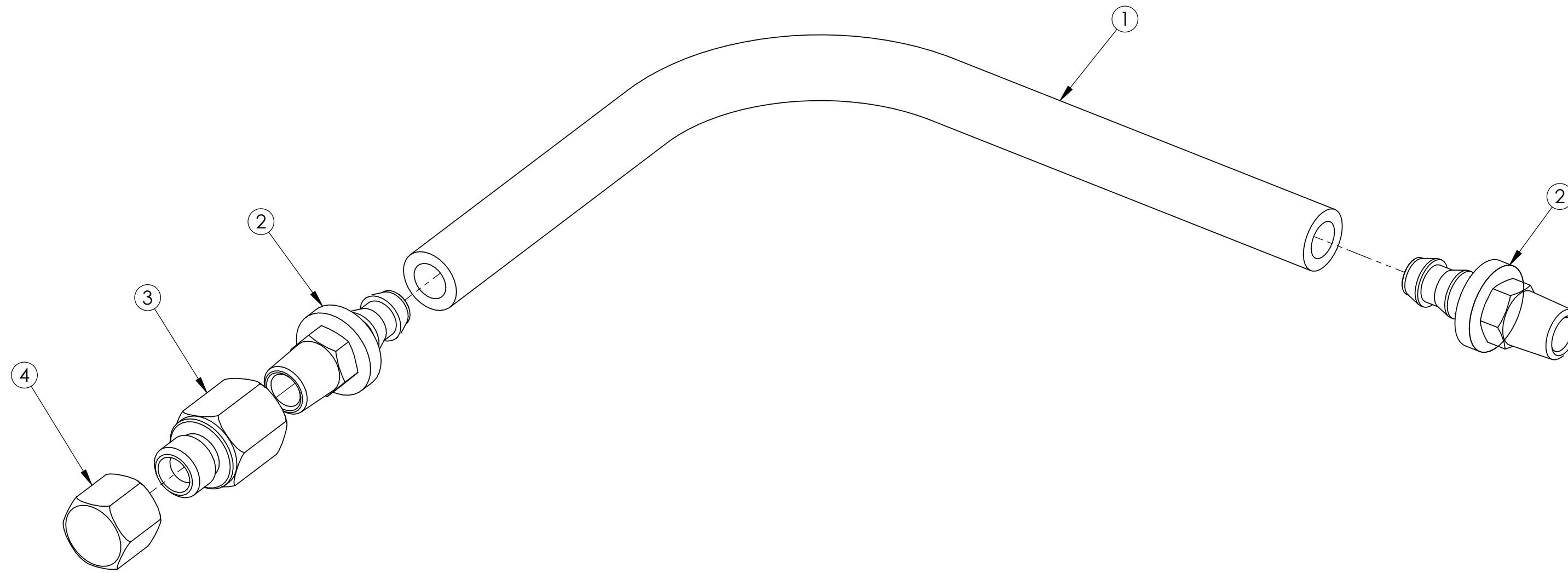
SOFF-CUT INT'L, INC. CLAIMS PROPRIETARY RIGHTS TO THE MATERIAL DISCLOSED IN THIS DOCUMENT. THIS DOCUMENT IS PROVIDED IN CONFIDENCE AND MAY NOT BE REPRODUCED OR DISCLOSED WITHOUT WRITTEN PERMISSION FROM SOFF-CUT INT'L. COPYRIGHT SOFF-CUT INT'L, INC. ALL RIGHTS RESERVED.



ITEM NO.	PART NO.	DESCRIPTION	QTY.
1	99-X20-2822-00	Handle, Lower	1
2	99-X20-2821-00	Handle, Upper	1
3	99-X20-2820-00	Handle Bar	1
4	99-GS4-8004-00	Grip, Foam, Handle	1
5	99-GS4-8007-00	Grip, Foam Handle	1
6	99-GS4-8529-00	Lever, Blade Release	1
7	Hex Head Bolt	Hex Bolt 1/4-20 x 1 1/2	2
8	99-280-7018-07	Washer, Split 1/4"	5
9	99-280-7017-02	Washer, Flat 1/4"	3
10	99-X20-2823-00	Bracket, Control Mount	1
11	99-X20-8007-00	Control Lever	2
12	99-X20-7004-00	Dowel Pin, 1/4 x 3	1
13	99-X20-7003-00	Pull Pin, 2" x 3/8	1
14	99-X20-8534-00	Throttle Control w/ Cable	1
15	99-G20-7506-12	SHC 10-32 x 5/8	4
16	99-280-7018-09	Washer, Split #10	11
17	99-G20-7506-10	SHCS 10-24 x 3/4	2
18	99-X20-2837-00	Arm, Pump Disengage	1
19	99-X20-7000-00	SHSB 3/8 x 1.25	1
20	99-G10-7504-06	HHB, 5/16-18 x 2	1
21	99-280-7018-08	Washer, Split 5/16"	1
22	99-G20-7513-04	Hex Nut, 5/16"	1
23	99-280-7020-04	Washer, 3/8 Delrin	2
25	99-X20-8008-00	Label, Guide/Spd Cntrl	1
26	99-G20-7506-02	SHCS, 1/4-20 x 2	1
27	99-280-7006-06	SHC, 1/4-20 x 1 1/4	2
28	99-450-8002-01	Clamp, Metal	5
29	99-G20-7506-07	SHC 10-32 x 7/8	5
31	99-X20-8003-00	Cable, Speed Cntrl (Not Shown)	1
32	99-X20-8004-00	Cable, Guide Arm (Not Shown)	1
30	99-G20-7012-01	Nut, 10-24 Nyloc	2

SUB-ASSEMBLY BILL OF MATERIAL

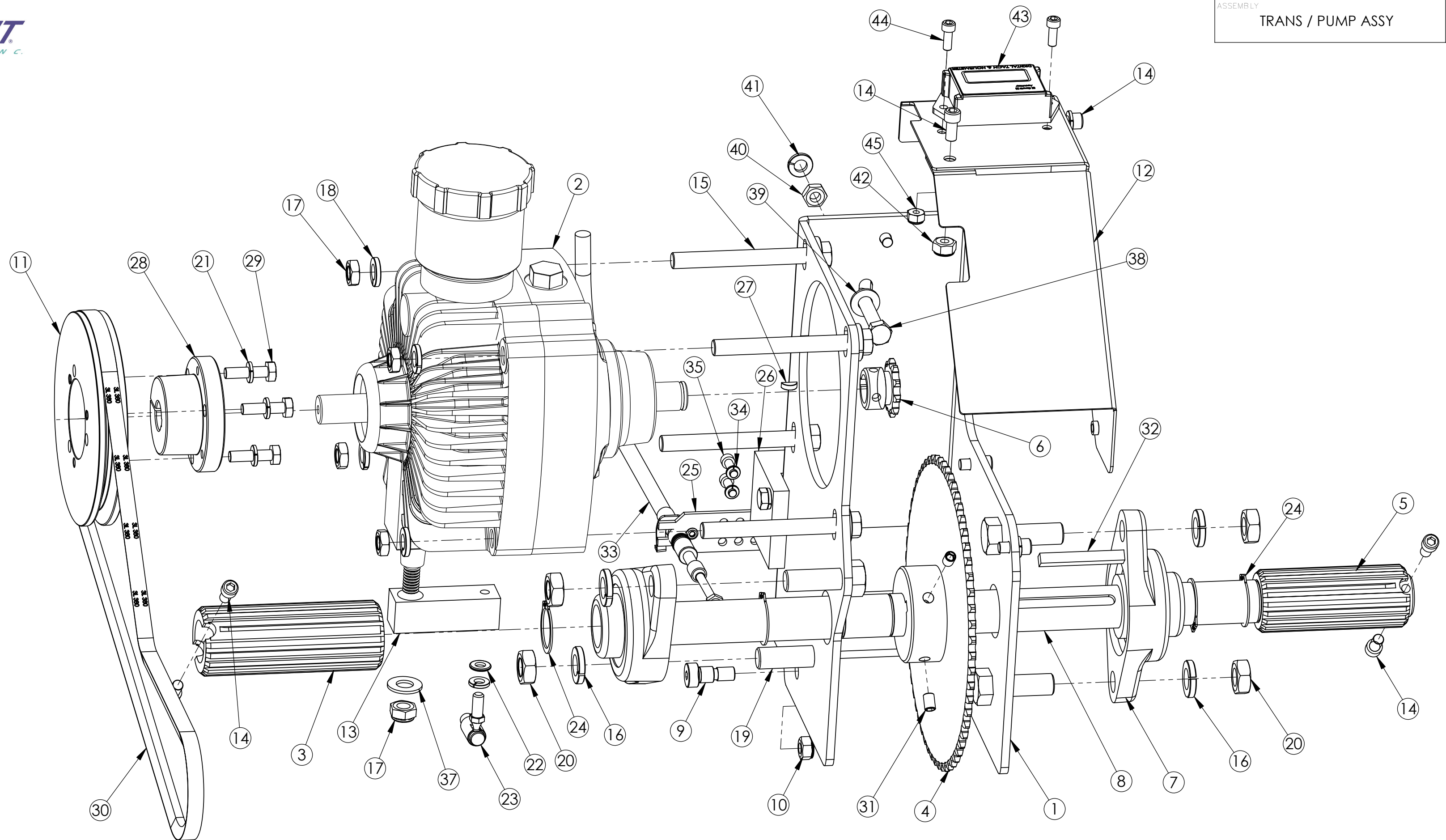
SOFF-CUT INT'L, INC. CLAIMS PROPRIETARY RIGHTS TO THE MATERIAL DISCLOSED IN THIS DOCUMENT. THIS DOCUMENT IS PROVIDED IN CONFIDENCE AND MAY NOT BE REPRODUCED OR DISCLOSED WITHOUT WRITTEN PERMISSION FROM SOFF-CUT INT'L. COPYRIGHT SOFF-CUT INT'L, INC. ALL RIGHTS RESERVED.



ITEM NO.	PART NO.	DESCRIPTION	QTY.
1	99-G20-8513-00	Hose, Oil Drain Rubber	1
2	99-G20-8513-01	Fitting, Oil Drain, Barb	2
3	99-G30-8513-03	Fitting, 1/4 NPT to 14MM	1
4	99-G30-8512-12	Fitting, Oil Drain Cap	1

SUB-ASSEMBLY BILL OF MATERIAL

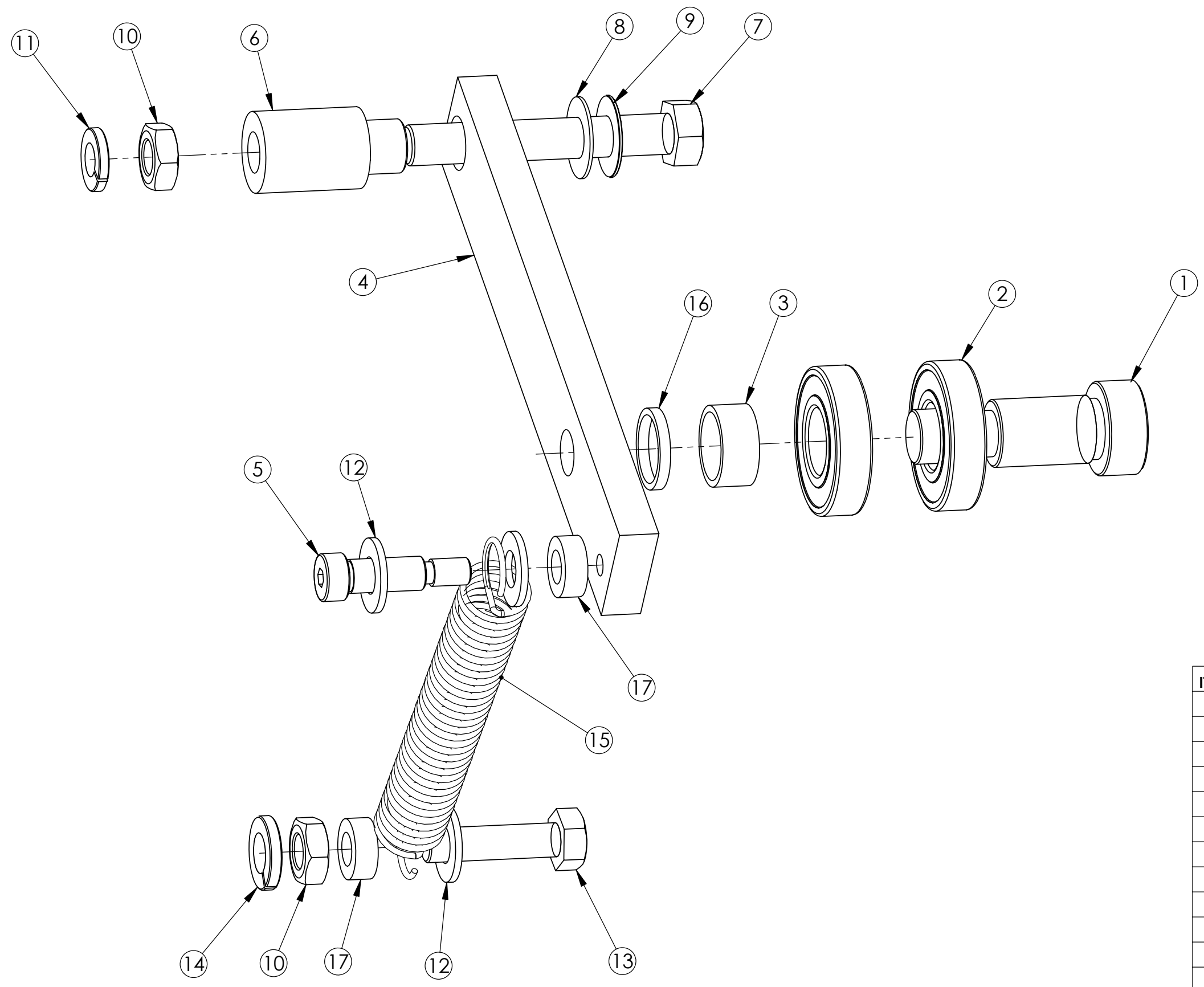
SOFF-CUT INT'L, INC. CLAIMS PROPRIETARY RIGHTS TO THE MATERIAL DISCLOSED IN THIS DOCUMENT. THIS DOCUMENT IS PROVIDED IN CONFIDENCE AND MAY NOT BE REPRODUCED OR DISCLOSED WITHOUT WRITTEN PERMISSION FROM SOFF-CUT INT'L. COPYRIGHT SOFF-CUT INT'L, INC. ALL RIGHTS RESERVED.



ITEM NO.	PART NO.	DESCRIPTION	QTY.	ITEM NO.	PART NO.	DESCRIPTION	QTY.
1	99-X20-2840-00	Frame, Pump	1	25	99-X20-8005-00	Bracket, Control Cable	1
2	99-G20-8512-00	Eaton Hydrostatic Pump Mod 7	1	26	99-X20-2844-00	Block, Cable Mount	1
3	99-G20-1594-01	Tube, Right Driver	1	27	99-G20-7520-01	Key, Woodruff #3	2
4	99-G20-8516-00	Sprocket, 60T	1	28	99-DGA-8520-000	Bushing, SH 5/8	1
5	99-G20-1594-02	Tube, Left Driver	1	29	99-G10-7504-02	Hex Bolt 1/4-20 x 1	3
6	99-DGA-8515-00	Sprocket, 10T	1	30	99-150-8001-00	Belt, 3L380	1
7	99-G10-8000-01	Bearing, Pillow Block, 3/4" ID	2	31	99-G20-7516-02	Set Screw, 10-24 x 1/2	2
8	99-X20-2838-00	Shaft, Pump Drive	1	32	99-G20-8527-09	Key, 1/4 x 1/4 x 2"	1
9	99-G20-7503-05	SHSB, 3/8 x 3/8	2	33	8003-00 (X20)	Cable, Speed Cntrl w/ Rod Ends	1
10	99-280-7012-03	Nyloc, 5/16-18	2	34	99-280-7018-09	Washer, Split #10	2
11	99-G20-8519-00	Sheave, 3V 500	1	35	99-G20-7506-12	SHC 10-32 x 5/8	2
12	99-X20-2841-00	Cover, Pump Assembly	1	36	99-280-7005-03	HHB, 1/4-20 x 3/4	1
13	99-X20-2826-00	Arm, Speed Control	1	37	99-G20-7501-01	Washer, Flat 3/8"	1
14	99-G20-7006-03	SHC 1/4-20 x 1/2	9	38	99-G10-7504-06	HHB, 5/16-18 x 2	1
15	99-G20-7505-08	Hex Bolt 3/8-16 x 3 1/2	4	39	99-G10-7501-00	Washer, Flat 5/16"	1
16	99-G20-7509-04	Washer, Split 1/2"	8	40	99-G20-7513-04	Hex Nut, 5/16"	1
17	99-G20-7513-01	Nut, Hex 3/8"	5	41	99-280-7018-08	Washer, Split 5/16"	1
18	99-G20-7509-03	Washer, Split 3/8"	4	42	99-280-7012-02	Nut, 1/4" Nyloc	1
19	99-X20-7002-01	Hex Head 1/2-13 x 1 1/2	4	43	99-GS4-9000-00	Meter, Tach and Hour	1
20	99-G20-7513-12	Nut, Hex 1/2"	4	44	99-G20-7506-11	SHCS, 10-32 x 1/2	2
21	99-280-7018-07	Washer, Split 1/4"	9	45	99-G20-7012-01	Nut, 10-24 Nyloc	2
22	99-280-7017-02	Washer, Flat 1/4" I.D.	1	46	99-X20-8517-00	Chain (Not Shown)	1
23	99-X20-8006-00	Fitting, Ball Joint	1	47	99-G20-8518-00	Master Chain Link (Not Shown)	1
24	99-G20-7514-01	RR, 1" ext	4				

SUB-ASSEMBLY BILL OF MATERIAL

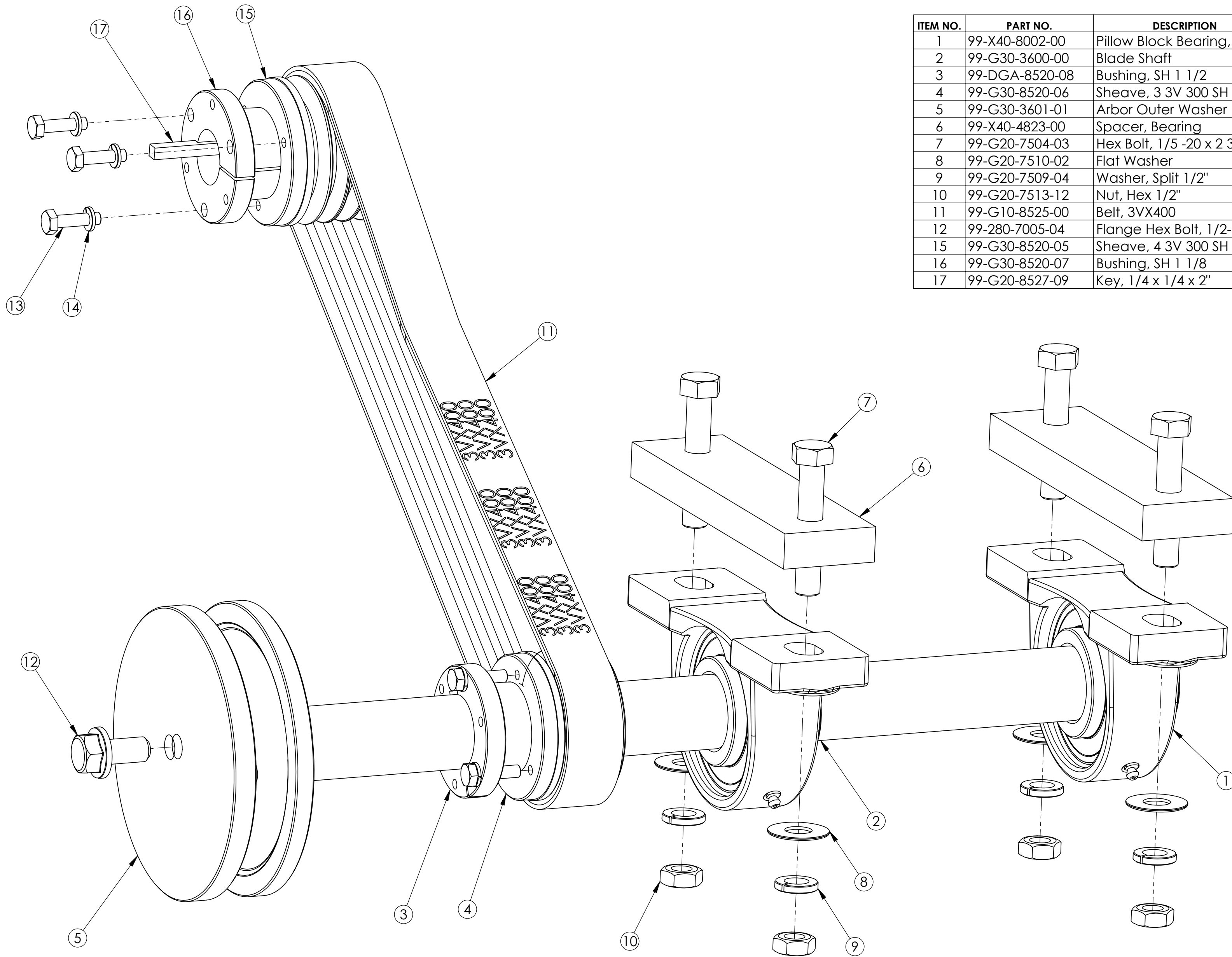
SOFF-CUT INT'L, INC. CLAIMS PROPRIETARY RIGHTS TO THE MATERIAL DISCLOSED IN THIS DOCUMENT. THIS DOCUMENT IS PROVIDED IN CONFIDENCE AND MAY NOT BE REPRODUCED OR DISCLOSED WITHOUT WRITTEN PERMISSION FROM SOFF-CUT INT'L. COPYRIGHT SOFF-CUT INT'L, INC. ALL RIGHTS RESERVED.



ITEM NO.	PART NO.	DESCRIPTION	QTY.
1	99-GS4-7001-02	SHSB 5/8 x 1	1
2	99-G20-8500-02	Bearing, 1.625" OD	2
3	99-G20-1587-02	Spacer, AL .350" W x 5/8" OD	1
4	99-150-2108-00	Arm, Belt Tensioner	1
5	99-G20-7503-08	SHSB, 5/16 x 3/4	1
6	99-150-2124-00	Spacer, Belt Tensioner	1
7	99-X20-7002-03	Hex Bolt, 3/8-16 x 2 1/2	1
8	99-280-7020-04	Washer, 3/8 Delrin	1
9	99-G20-7020-01	Washer, 3/8" Steel	1
10	99-G20-7513-01	Nut, Hex 3/8"	2
11	99-280-7018-08	Washer, Split 5/16"	1
12	99-G10-7501-00	Washer, Flat 5/16"	3
13	99-X20-7002-06	HHB, 5/16-24 x 1 1/4	1
14	99-G20-7509-03	Washer, Split 3/8"	1
15	99-G20-8505-01	Spring, Extension	1
16	99-G20-1587-03	Spacer, AL .100" W x 5/8" ID	1
17	99-G80-6602-00	Spacer, Delrin 5/16" ID x 9/16" OD	2

SUB-ASSEMBLY BILL OF MATERIAL

SOFF-CUT INT'L, INC. CLAIMS PROPRIETARY RIGHTS TO THE MATERIAL DISCLOSED IN THIS DOCUMENT. THIS DOCUMENT IS PROVIDED IN CONFIDENCE AND MAY NOT BE REPRODUCED OR DISCLOSED WITHOUT WRITTEN PERMISSION FROM SOFF-CUT INT'L. COPYRIGHT SOFF-CUT INT'L, INC. ALL RIGHTS RESERVED.



ITEM NO.	PART NO.	DESCRIPTION	QTY.
1	99-X40-8002-00	Pillow Block Bearing, 1 1/2"	2
2	99-G30-3600-00	Blade Shaft	1
3	99-DGA-8520-08	Bushing, SH 1 1/2	1
4	99-G30-8520-06	Sheave, 3 3V 300 SH	1
5	99-G30-3601-01	Arbor Outer Washer	1
6	99-X40-4823-00	Spacer, Bearing	2
7	99-G20-7504-03	Hex Bolt, 1/5 -20 x 2 3/4	4
8	99-G20-7510-02	Flat Washer	4
9	99-G20-7509-04	Washer, Split 1/2"	4
10	99-G20-7513-12	Nut, Hex 1/2"	4
11	99-G10-8525-00	Belt, 3VX400	1
12	99-280-7005-04	Flange Hex Bolt, 1/2-13 x 1	1
15	99-G30-8520-05	Sheave, 4 3V 300 SH	1
16	99-G30-8520-07	Bushing, SH 1 1/8	1
17	99-G20-8527-09	Key, 1/4 x 1/4 x 2"	1

SUB-ASSEMBLY BILL OF MATERIAL

SOFF-CUT INT'L, INC. CLAIMS PROPRIETARY RIGHTS TO THE MATERIAL DISCLOSED IN THIS DOCUMENT. THIS DOCUMENT IS PROVIDED IN CONFIDENCE AND MAY NOT BE REPRODUCED OR DISCLOSED WITHOUT WRITTEN PERMISSION FROM SOFF-CUT INT'L. COPYRIGHT SOFF-CUT INT'L, INC. ALL RIGHTS RESERVED.