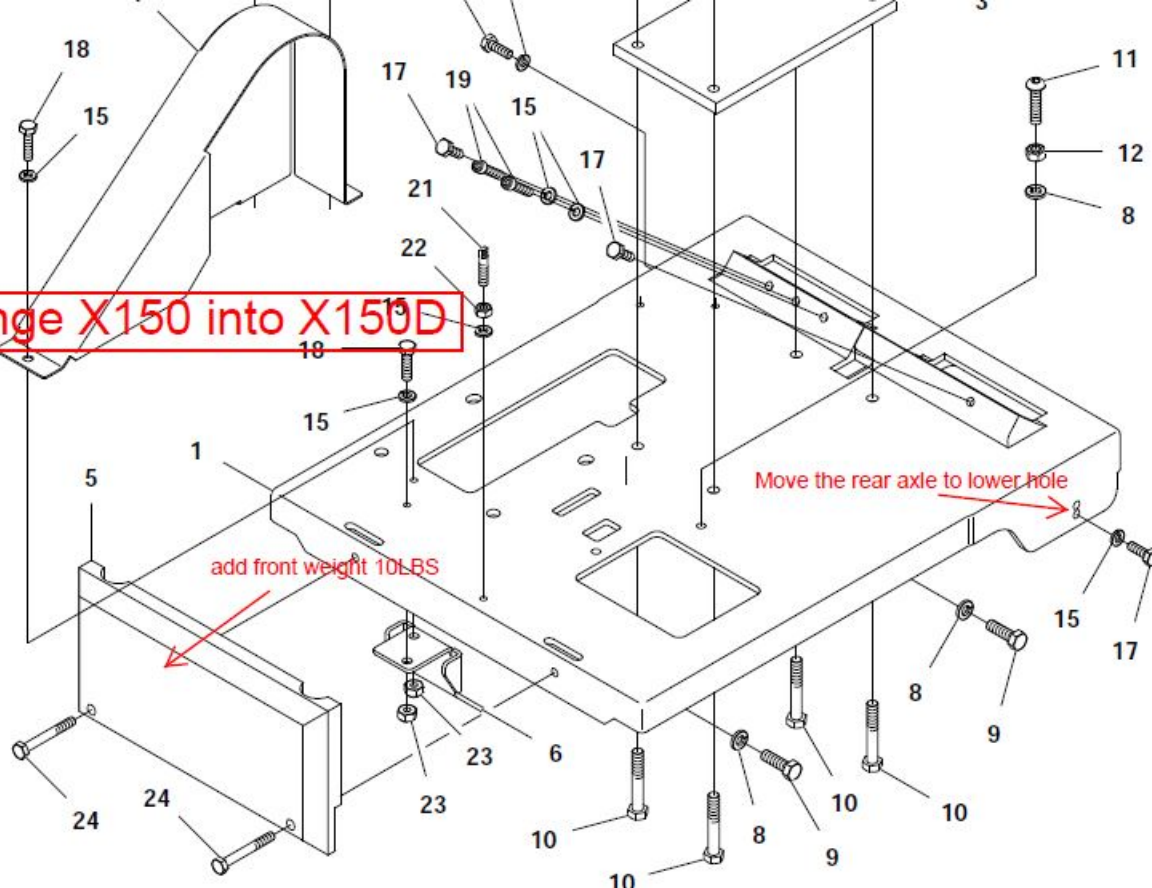


Change X150 into X150D



add front weight 10LBS

Move the rear axle to lower hole

Change blade block assembly to the X150D blade block kit & weight 510272113