

GENERATOR

PARTS CATALOG

MODEL : TPG4-4500HDX

3600VA 120/240V 60Hz

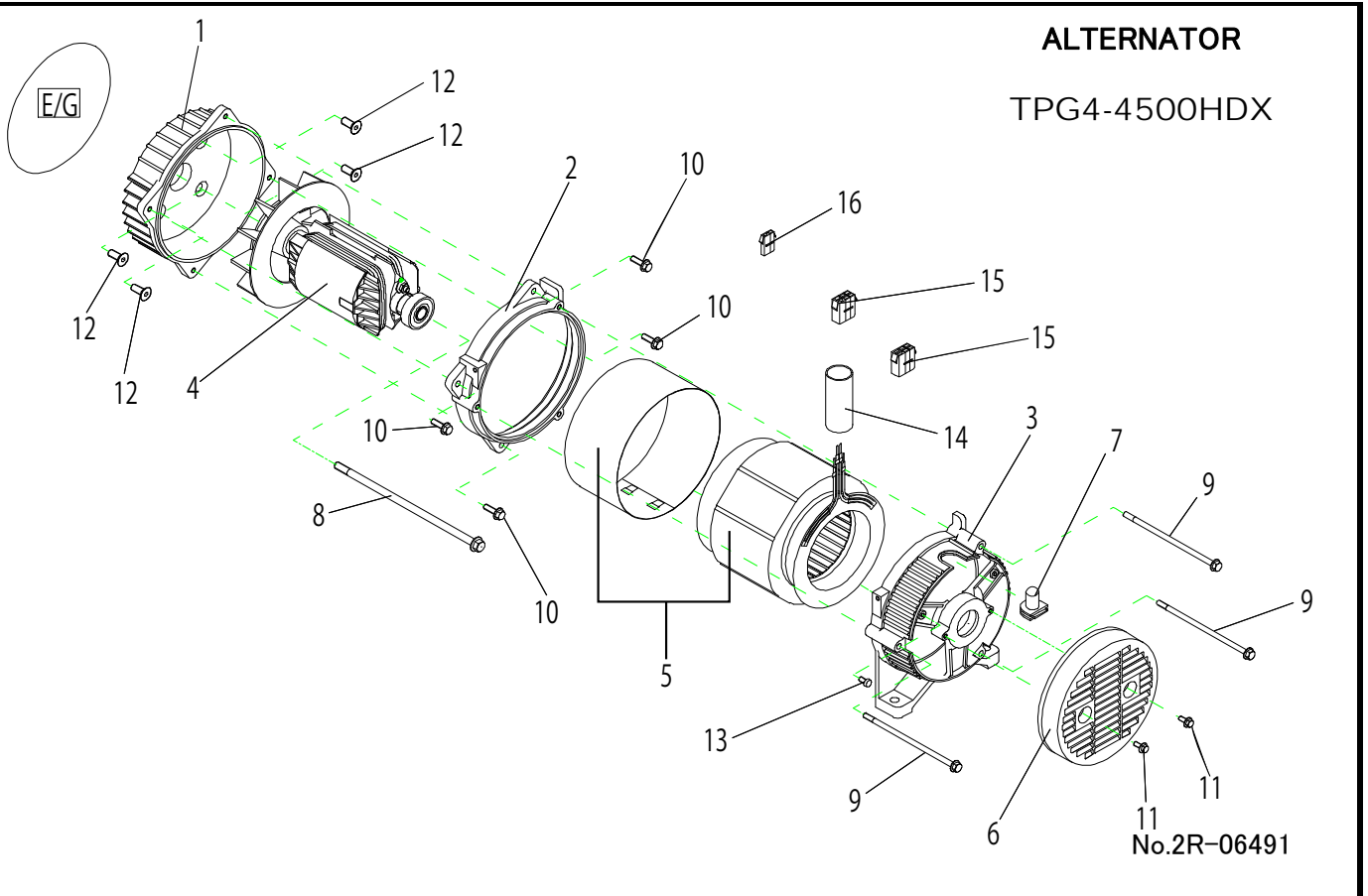


Ver.4

2018.5

ALTERNATOR

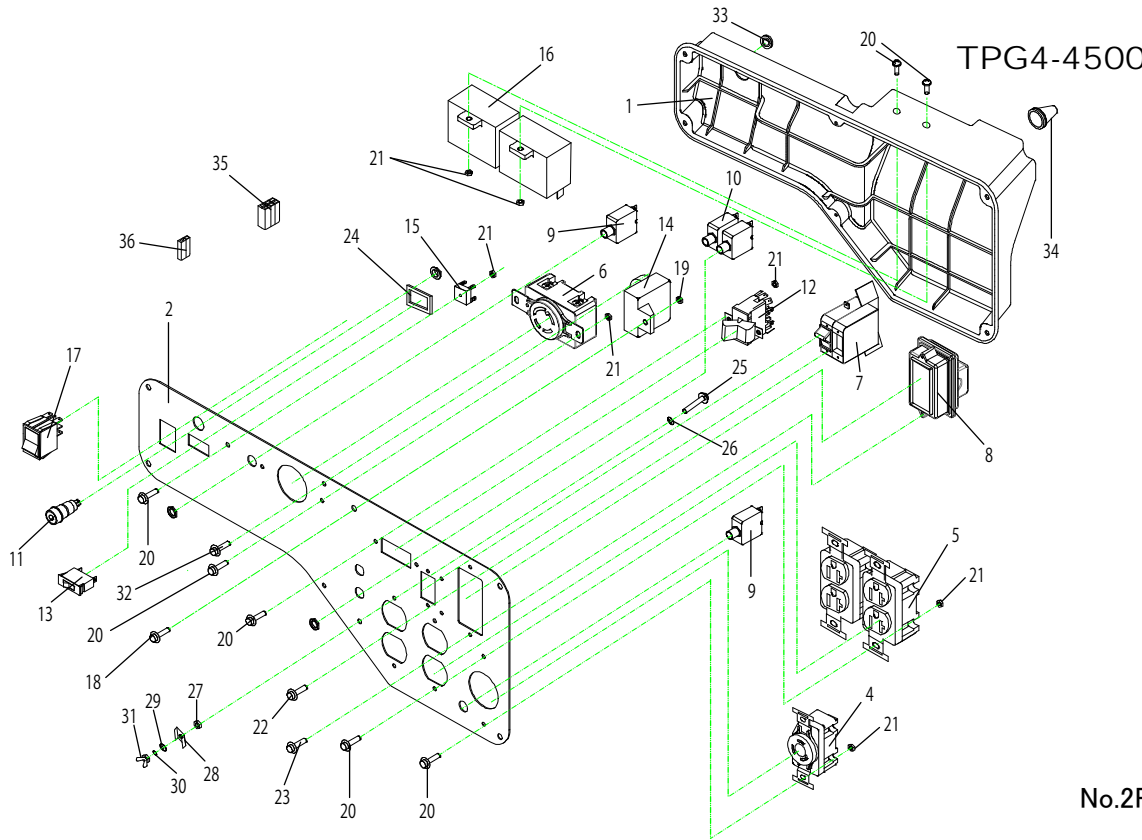
TPG4-4500HDX



REF No.	Parts No.	Parts name	Q'ty	Price	Remarks
1	15311460000	BRACKET (1)	1		interchangable with OLD part# 15200371000
2	15311462000	N-BRACKET	1		
3	15311461000	BRACKET (2)	1		
4	15200428000	ROTOR ASSY	1		
5	15250380000	STATOR ASSY	1		
6	15311471000	COVER,BRACKET	1		
7	15350550000	RUBBER BUSH	1		
8	15550154000	HEX,BOLT W/FLANGE(M10×1.25-235)	1		
9	15550152000	HEX,BOLT W/FLANGE(M6×1.0-150)	4		
10	19B30908020	HEX,BOLT W/FLANGE(M8×1.0-20)	4		
11	15550210000	HEX,BOLT W/FLANGE(M5×0.8-12)	2		
12	19B50908020	FLAT HEAD BOLT W/SOCKET(M8×1.25-20)	4		
13	19S00905007	CROSS RECESSED HEAD SCREW(M5-7)	1		
14	15350107000	TUBE,LEAD WIRE	1		
15	15400156000	CONNECTOR 6P	2		
16	15400160000	CONNECTOR 2P	1		

CONTROL BOX

TPG4-4500HDX

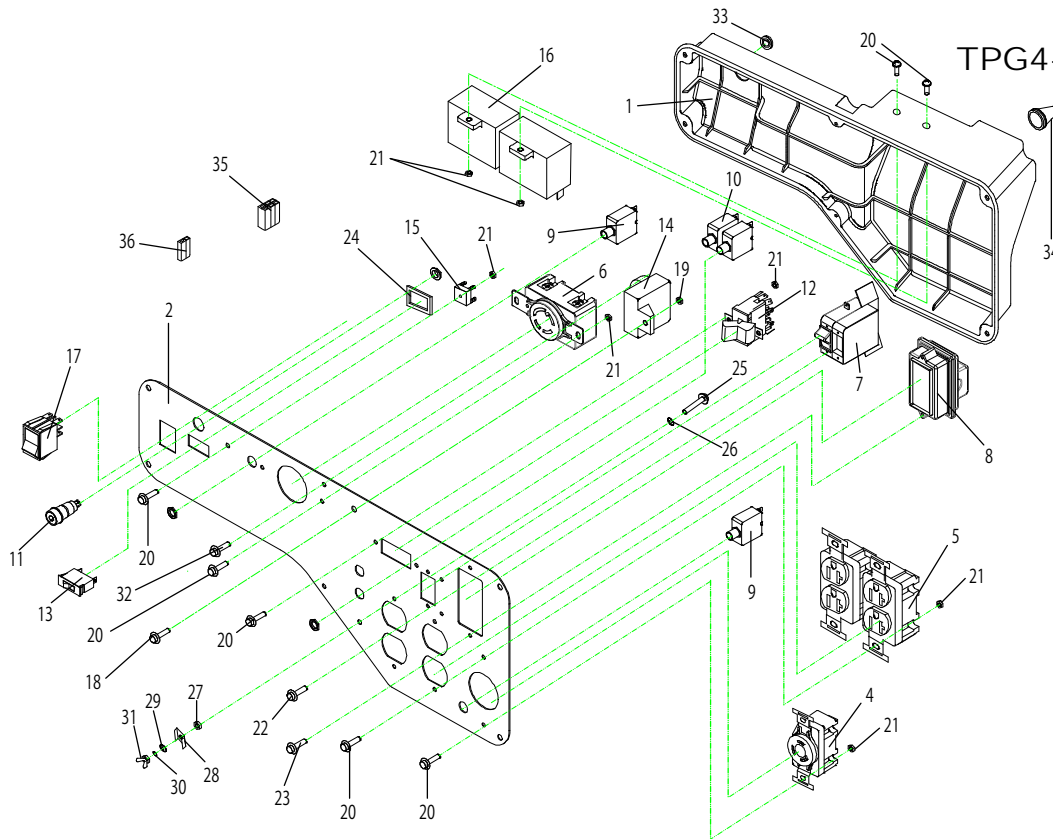


No.2R-06491

REF No.	Parts No.	Parts name	Q'ty	Price	Remarks
1	15350680000	CONTROL BOX	1		
2	15601697000	PANEL ASSY	1		
3					
4	15400105000	RECEPTACLE 30A, 125V	1		
5	15400003000	RECEPTACLE 20A, 125V	2		
6	15400106000	RECEPTACLE 30A, 125/250V	1		
7	15400539000	CURCUIT BREAKER 15A	1		
8	15400559000	UNIT , GFCI	1		
9	15350337000	GROMMET	2		
10	15400171000	CURCUIT BREAKER 20A	2		
11	85111573300	NEON BRACKET , 125V	1		
12	15400143000	SWITCH,VOLTAGE SELECTOR	1		
13	15400108000	SWITCH,AUTO THROTTLE	1		
14	19600700660	CONTROL UNIT,AUTO THROTTLE	1		
15	15400240000	BRIDGE DIODE	1		
16	15400177000	CONDENSOR ASSY,18 μ F	2		
17	15400253000	ENGINE SWITCH	1		
18	19SF4906015	CROSS RECESSED HEAD SCREW (M6-15)	1		
19	19N10906000	HEX,NUT W/FLANGE M6	1		
20	19SF4904014	CROSS RECESSED HEAD SCREW (M4-14)	13		
21	19N10904000	HEX,NUT W/FLANGE M4	13		
22	19SF4903005	CROSS RECESSED HEAD SCREW (M3-5)	4		
23	19SF4903012	CROSS RECESSED HEAD SCREW (M3-12)	2		
24	15301082001	SWITCH SPACER	1		

CONTROL BOX

TPG4-4500HDX

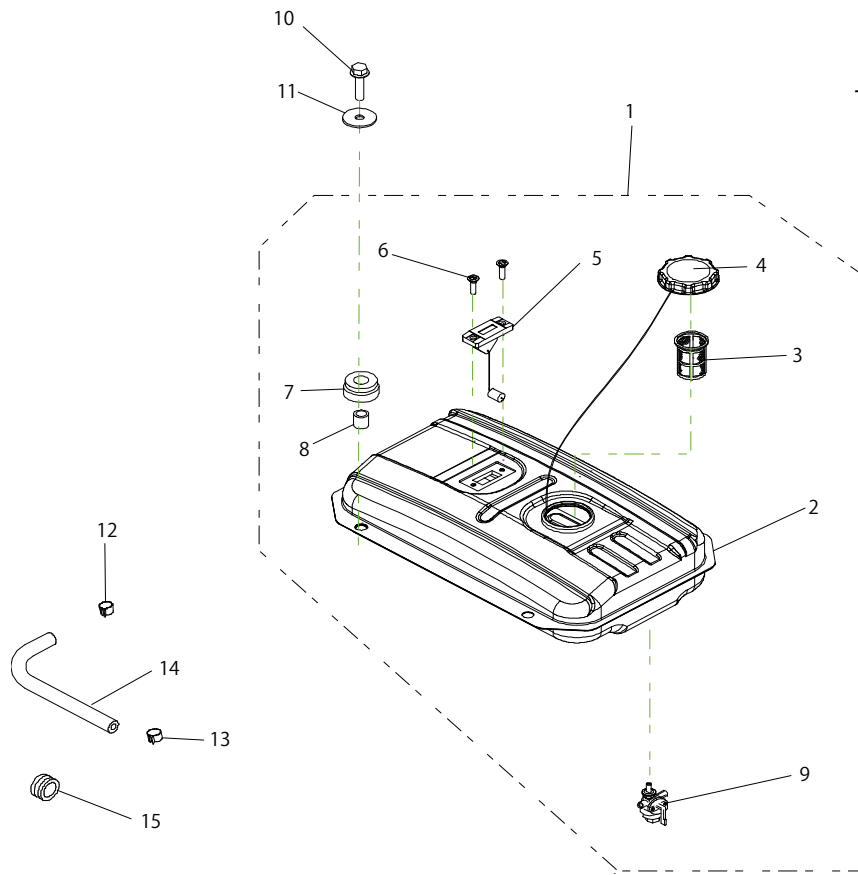


No.2R-06491

REF No.	Parts No.	Parts name	Q'ty	Price	Remarks
25	15550330000	CROSS RECESSED HEAD SCREW (M5 × 25)	1		
26	15550331000	TOOTH LOCK WASHER (M5)	1		
27	15550329000	HEX,NUT W/FLANGE (M5)	1		
28	15301979000	CAP WASHER (M5)	1		
29	15550333000	FLAT WASHER (M5)	1		
30	15550334000	LOCK WASHER (M5)	1		
31	15550335000	WING NUT (M5)	1		
32	19S21904012	SCREW, SELF TAP M4-12	2		
33	15350472000	GROMMET	1		
34	15321880130	GROMMET PANEL LEAD #2	1		
35	15400157000	CONNECTOR 6P	2		
36	15400161000	CONNECTOR 2P	1		

FUEL TANK

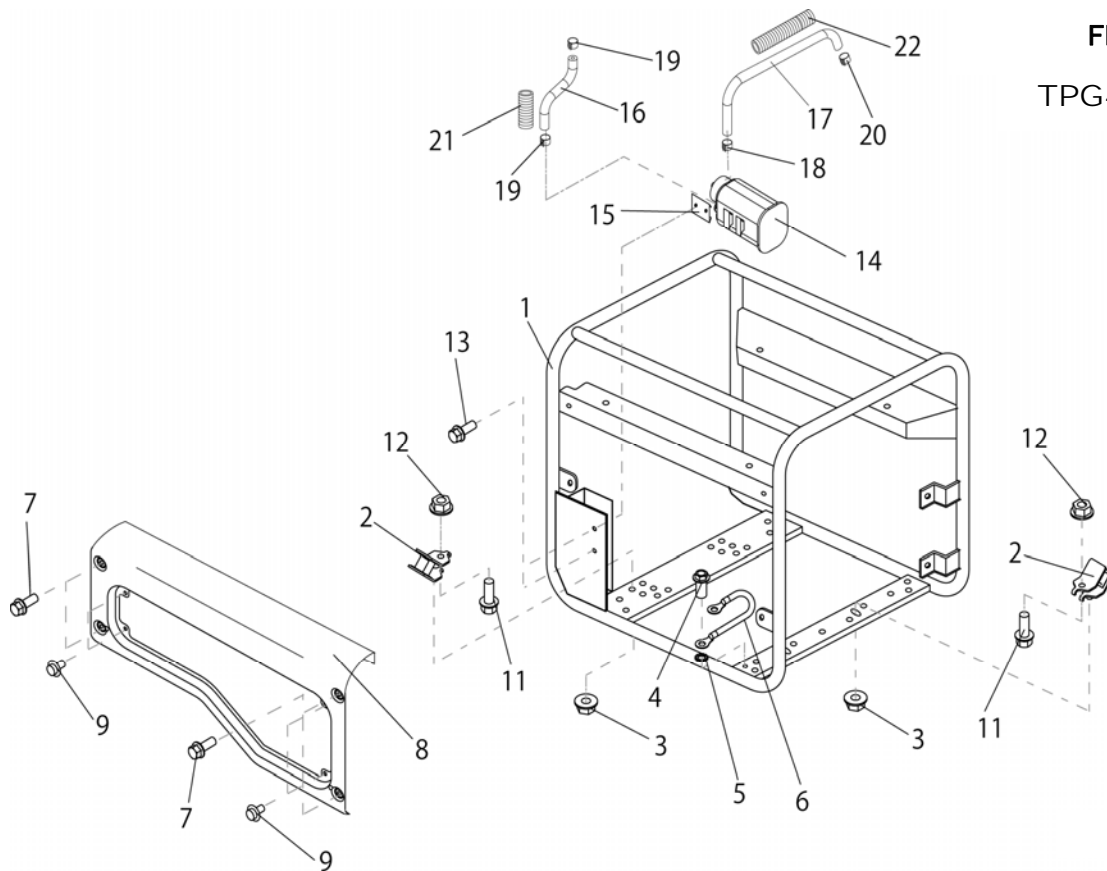
TPG4-4500HDX



No.2R-06491

REF No.	Parts No.	Parts name	Q'ty	Price	Remarks
1	15601800000	FUEL TANK (BLUE) COMP.	1		WITH LABEL ※EXCEPT SPEC LABEL
1	15601800100	FUEL TANK (BLUE) COMP. WITH FUEL VALVE	1		WITH LABEL ※EXCEPT SPEC LABEL SERIAL NUMBER 051397 ~
2	15301982000	FUEL TANK (BLUE) - original(packing)	1		Prior to serial number 051397
2	15301982100	FUEL TANK (BLUE)	1		SERIAL NUMBER 051397 ~
3	15350580001	FILTER COMP., FUEL	1		
4	15302001000	CAP COMP., FUEL FILLER WITH CHAIN	1		
5	15301674001	GAUGE ASSY., FUEL	1		
6	15550293001	SCREW (M5-12)	2		
7	15321880100	RUBBER,TANK CUSHION	4		
8	15321670270	COLLAR,TANK CUSHION	4		
9	15150135001	FUEL VALVE - original(packing)	1		Prior to serial number 051397
9	15150135010	FUEL VALVE	1		SERIAL NUMBER 051397 ~
10	19B30906025	HEX,BOLT W/FLANGE (M6×1.0-25)	4		
11	19W00906025	WASHER,TANK CUSHION (M6×25,1.6t)	4		
12		RUBBER,FUEL TUBE	1		HONDA PART
13	15301192000	CRIP,TUBE	1		
14	15350694000	TUBE,FUEL (210mm)	1		
15		CRIP B8, TUBE	1		HONDA PART

FRAME
TPG4-4500HDX



No.2R-06491

REF No.	Parts No.	Parts name	Q'ty	Price	Remarks
1	15302009000	FRAME	1		
2	200900520	ANTI-VIBRATION RUBBER	4		
3	203200010	HEX,NUT W/FLANGE(M8X1.25)	4		
4	19B30906012	HEX, BOLT W/FLANGE (M6×12)	1		
5	19W50906000	TOOTH LOCK WASHER(M6)	1		
6	15501130000	BONDING WIRE	1		
7	19SS6906016	BOLT, M6-16	6		
10	15601798000	CASE, CONTROL ASSY (BLUE)	1		WITH RUBBER
9	15550438000	CROSS RECESSED HEAD SCREW(M6-15)	4		
10					
11	203000720	HEX, BOLT W/FLANGE (M10×45)	4		
12	203200020	HEX,NUT W/FLANGE(M10X1.25)	4		
13	19SS6906012	BOLT, M6-12	2		
14	15950138000	CARBON CANISTER (C-U-07-022)	1		
15	15950141000	STAY , CARBON CANISTER	1		
16	15350676000	TUBE , SURGE	1		
17	15350678000	TUBE , PURGE	1		
18	15302061000	CRIP , φ11.6	1		
19	15302060000	CRIP , φ10.0	2		
20	15302063000	CRIP , φ14.8	1		
21	15350701000	TUBE , CORRUGATE (320mm)	1		
22	15350700000	TUBE , CORRUGATE (800mm)	1		