

GENERATOR

PARTS CATALOG

MODEL : TPG4-3000HDX

2200VA 120V 60Hz

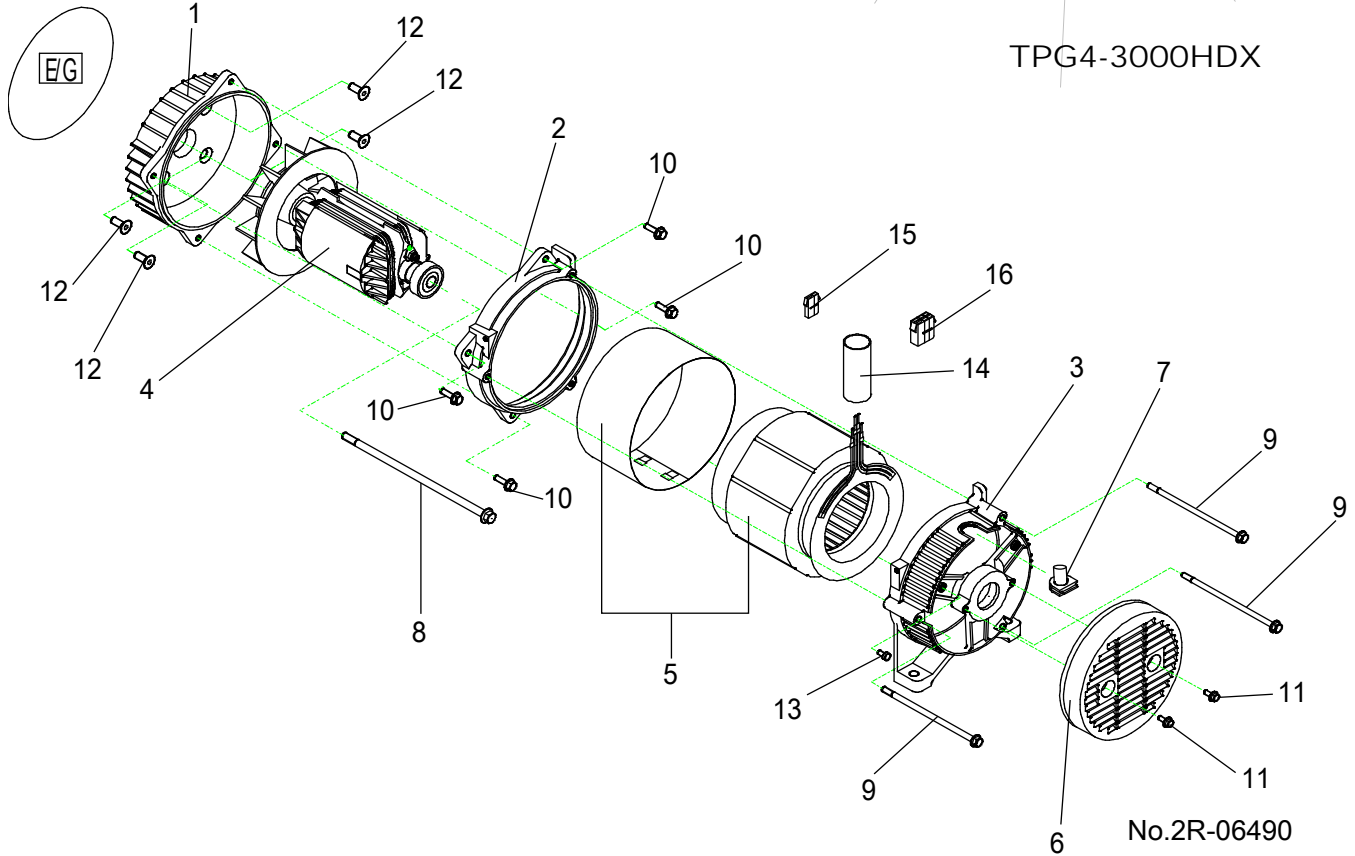


2013.08

No.2R-06490

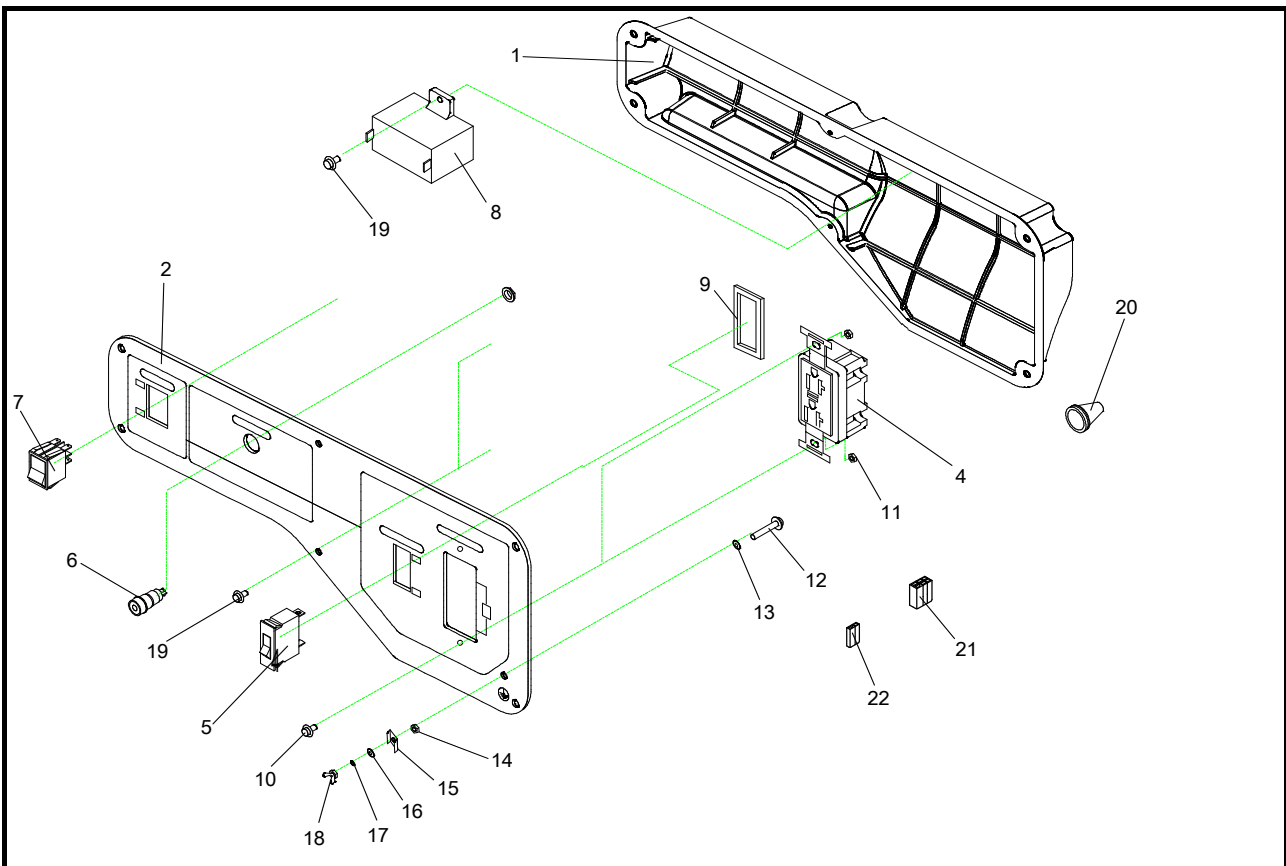
ALTERNATOR

TPG4-3000HDX

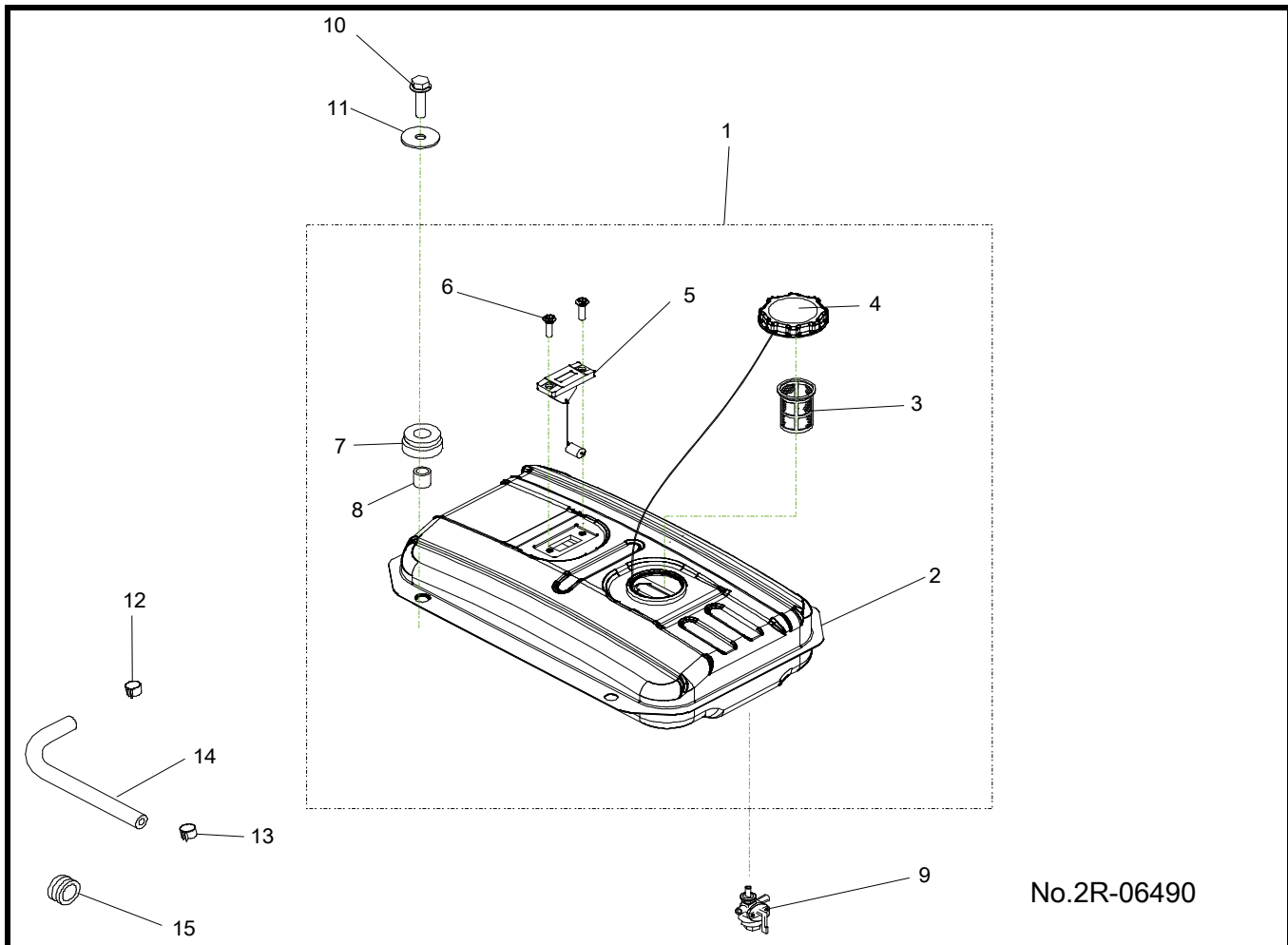


No.2R-06490

REF No.	Parts No.	Parts name	Q'ty	Price	Remarks
1	15111460000	BRACKET (1)	1		○
2	15111462000	N-BRACKET	1		○
3	15111461000	BRACKET (2)	1		○
4	15200426000	ROTOR ASSY	1		○
5	15250378000	STATOR ASSY	1		○
6	15111471000	COVER,BRACKET	1		○
7	15350549000	RUBBER BUSH	1		×
8	15550160000	HEX, BOLT W/FLANGE (M8x215)	1		○
9	15550158000	HEX, BOLT W/FLANGE (M6x140)	3		○
10	19B30906020	HEX, BOLT W/FLANGE (M6x20)	4		○
11	15550210000	HEX, BOLT W/FLANGE (M5x0.8-12)	2		○
12	19B50908020	HEX, BOLT W/ SOCKET,FLANGE (M8x20)	4		○
13	19S00905007	CROSS-RECESSED HEAD SCREW (M5x7)	1		○
14	15350107000	TUBE,LEAD WIRE	1		○
15	15400160000	CONNECTOR 2P	1		○
16	15400156000	CONNECTOR 6P	1		○

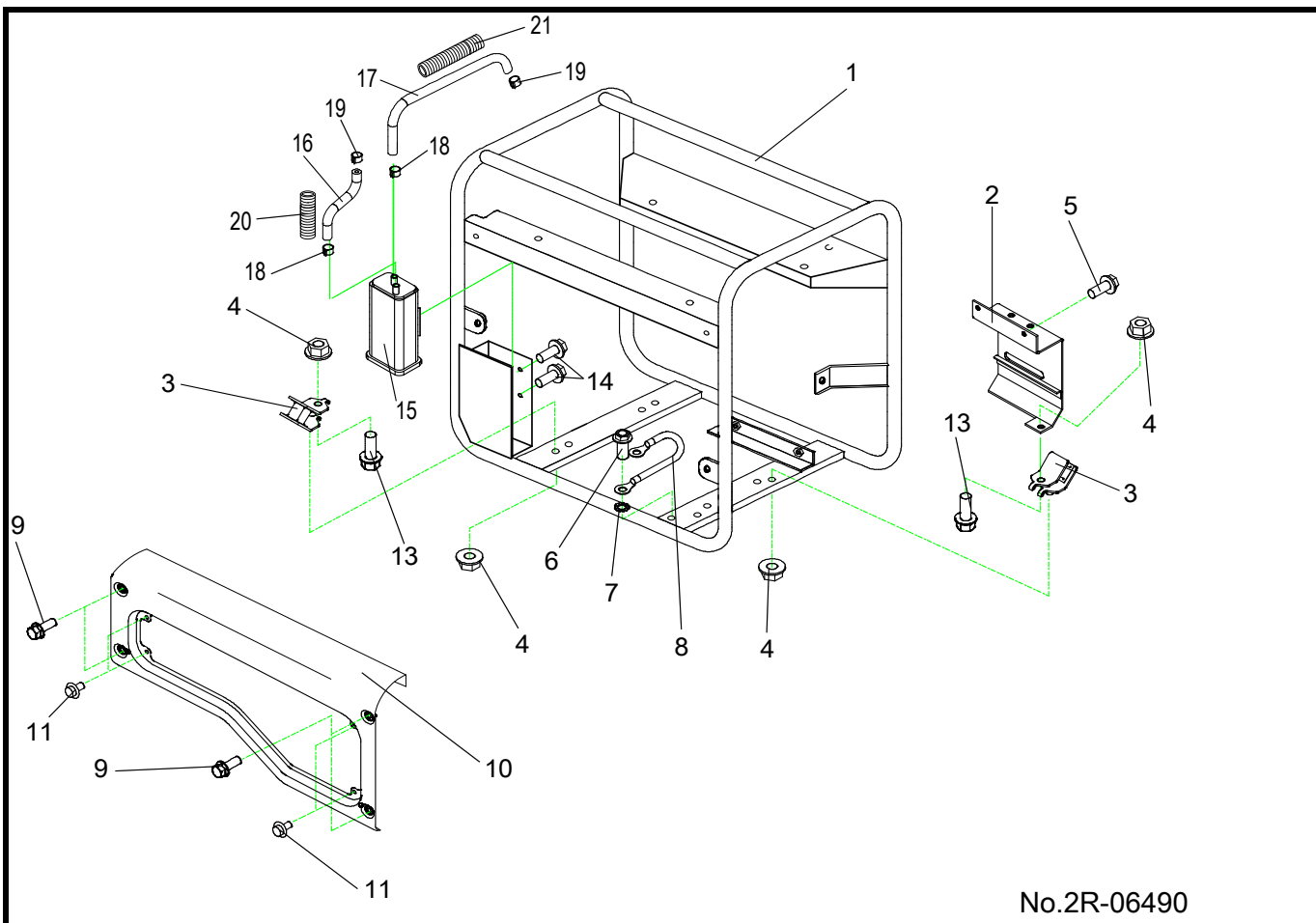


REF No.	Parts No.	Parts name	Q'ty	Remarks	
1	15350690000	CONTROL BOX	1		x
2	15601696000	PANEL ASSY	1		x
3					
4	15400104000	RECEPTACLE 20A, 125V , GFCI	1		o
5	15400137000	CURCUIT BREAKER 20A	1		o
6	85111573300	NEON BRACKET , 125V	1		o
7	15400253000	ENGINE SWITCH	1		o
8	15400175000	CONDENSOR ASSY, 14μ F	1		o
9	15301080001	SPACER IBR-1	1		o
10	19SF4904014	CROSS RECESSED HEAD SCREW (M4-14)	2		o
11	19N10904000	HEX,NUT W/FLANGE M4	2		o
12	15550330000	CROSS RECESSED HEAD SCREW(M5x 25)	1		o
13	15550331000	TOOTH LOCK WASHER (M5)	1		o
14	15550329000	HEX,NUT W/FLANGE (M5)	1		o
15	15301979000	CAP WASHER (M5)	1		o
16	15550333000	FLAT WASHER (M5)	1		o
17	15550334000	LOCK WASHER (M5)	1		o
18	15550335000	WING NUT (M5)	1		o
19	19S21904012	S C R E W SELF TAP M4-12	3		o
20	15321880130	GROMMET PANEL LEAD #2	1		o
21	15400157000	CONNECTOR 6P	1		o
22	15400161000	CONNECTOR 2P	1		o



No.2R-06490

REF No.	Parts No.	Parts name	Q'ty	Remarks	
2	15301980000	FUEL TANK (BLUE)	1		×
3	15350580001	FILTER COMP., FUEL	1		○
4	15302001000	CAP COMP., FUEL FILLER WITH CHAIN	1		×
5	15301674001	GAUGE ASSY., FUEL	1		○
6	15550293001	SCREW (M5-12)	2		○
7	15321880100	RUBBER,TANK CUSHION	4		○
8	15321670270	COLLAR,TANK CUSHION	4		○
9	15150135001	FUEL VALVE	1		×
10	19B30906025	HEX,BOLT W/FLANGE (M6×1.0-25)	4		○
11	19W00906025	WASHER,TANK CUSHION (M6×25,1.6t)	4		○
12		CRIP B8, TUBE	1	HONDA PART	
13	15301192000	CRIP,TUBE	1		○
14	15350693000	TUBE,FUEL (240mm)	1		×
15		RUBBER,FUEL TUBE	1	HONDA PART	
16		EPA LABEL			×



No.2R-06490

REF No.	Parts No.	Parts name	Q'ty	Remarks	
1	15302002000	FRAME	1		×
2	15301617000	BRACKET,MUFFLER	1		○
3	15350363000	ANTI-VIBRATION RUBBER	4		○
4	203200010	HEX,NUT W/FLANGE(M8X1.25)	8		○
5	19B30905012	HEX,BOLT W/FLANGE (M5X0.6-12)	2		○
6	19B30906012	HEX, BOLT W/FLANGE (M6×12)	1		○
7	19W50906000	TOOTH LOCK WASHER(M6)	1		○
8	15501121000	BONDING WIRE	1		○
9	19SS6906016	BOLT, M6-16	4		○
10	15601797000	CASE, CONTROL ASSY (BLUE)	1	WITH RUBBER	×
11	15550438000	CROSS RECESSED HEAD SCREW(M6-15)	4		×
12					
13	19B30908035	HEX, BOLT W/FLANGE (M8×35)	4		○
14	15550446000	BOLT, M6-14	4		×
15	15950137000	CARBON CANISTER (C-U-07-009)	1		×
16	15350677000	TUBE , SURGE	1		×
17	15350679000	TUBE , PURGE	1		×
18	15302062000	CRIP , φ13.1	2		×
19	15302060000	CRIP , φ10.0	2		×
20	15350701000	TUBE , CORRUGATE (270mm)	1		×
21	15350700000	TUBE , CORRUGATE (550mm)	1		×