

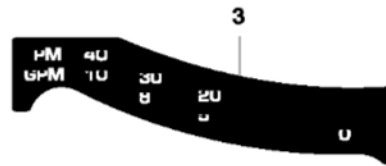
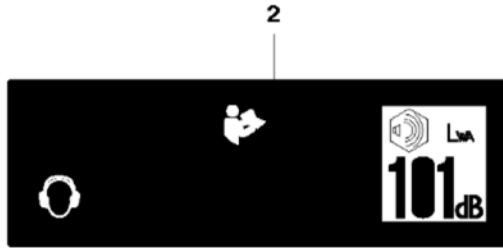


SPARE PARTS LIST

POWER PACKS

PP 518, 2012-06

F PP518
DECALS



7 — **PP 518**

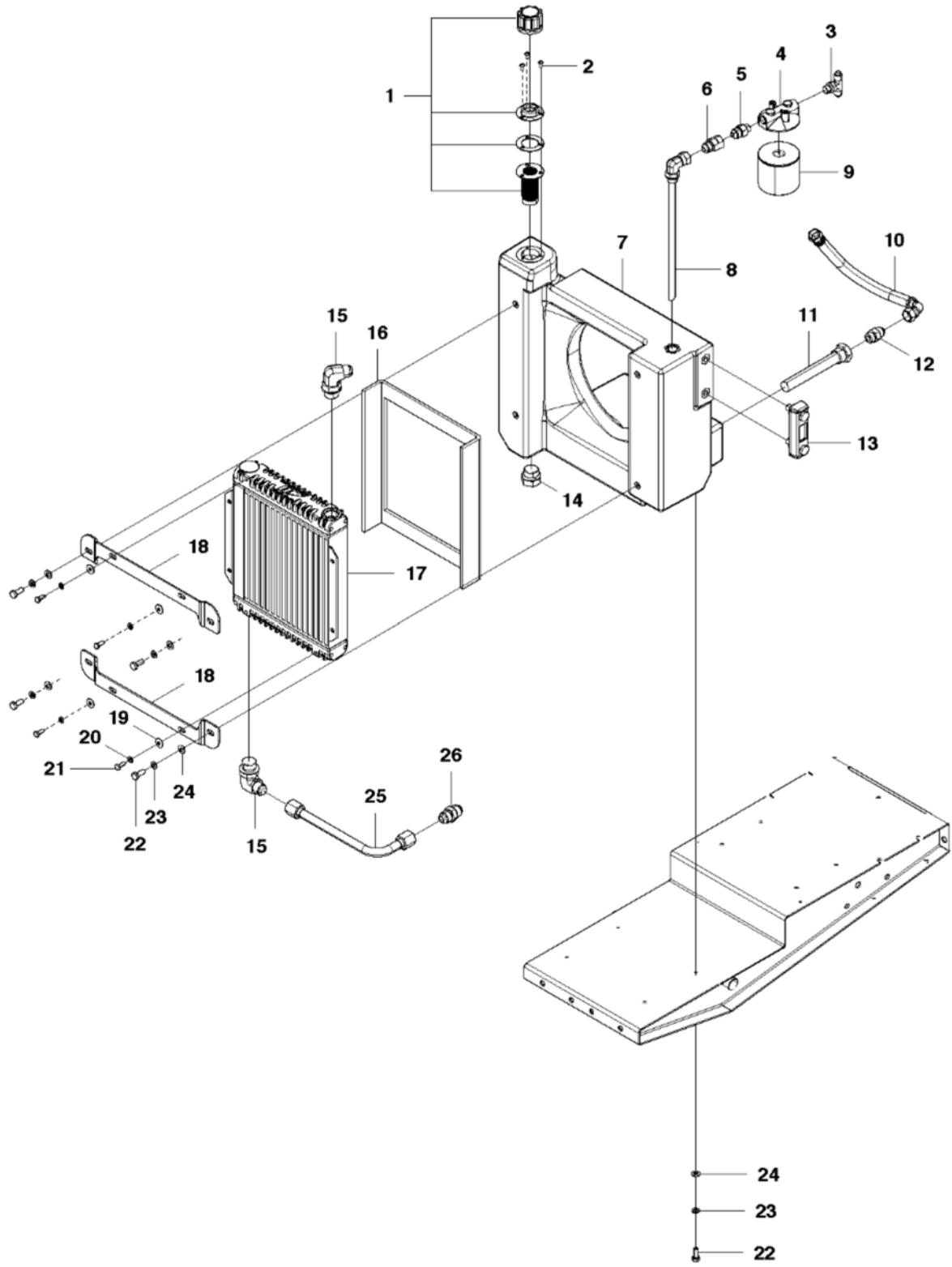


DEKALER

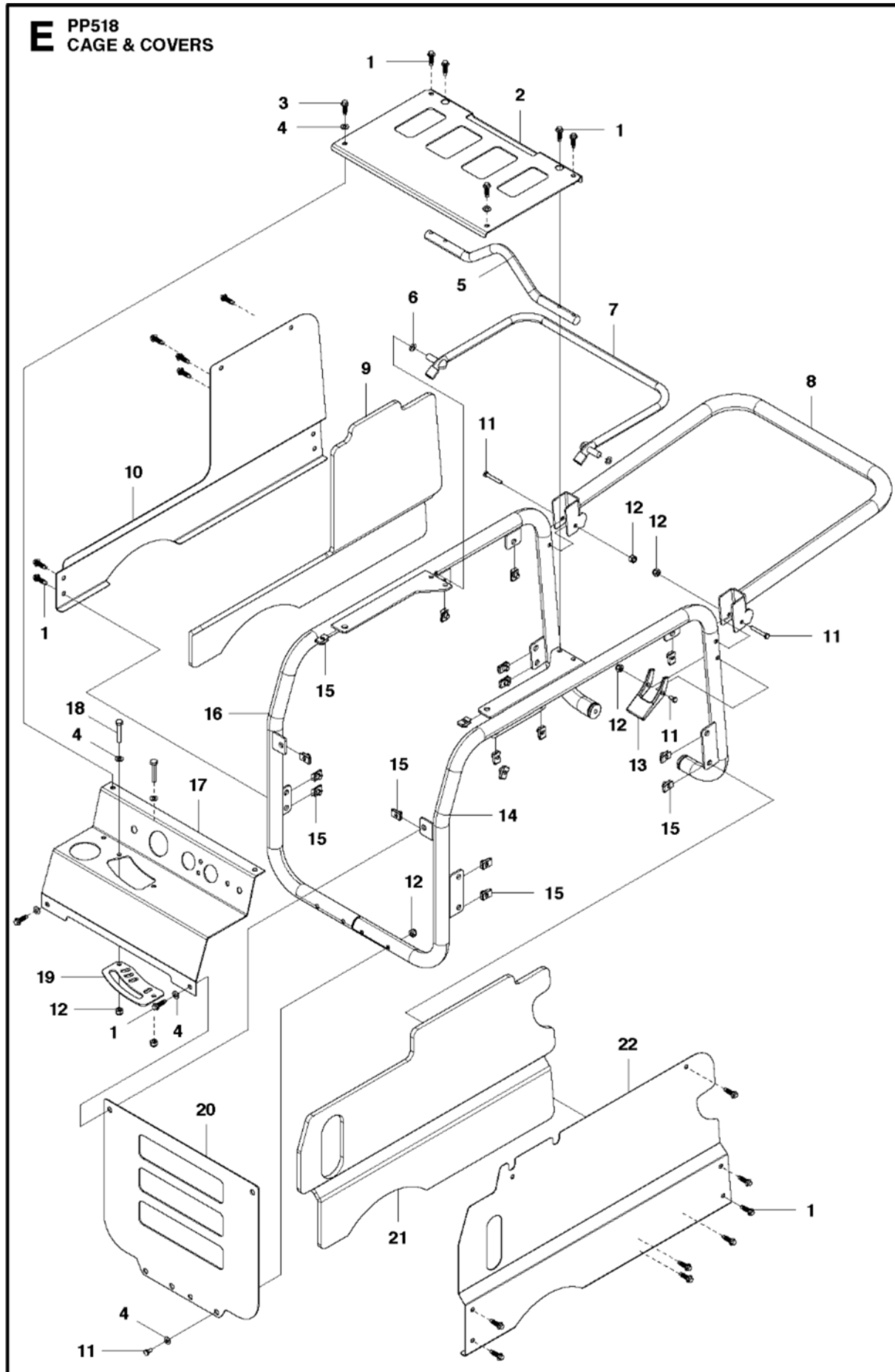
PP 518, 2012-06

Ref	Part no.	Description	Remark	Qty	Kit
1	580 94 02-01	DEKAL		1	
2	580 94 03-01	DEKAL		1	
3	580 94 04-01	DEKAL		1	
4	580 94 05-01	DEKAL		1	
5	580 94 06-01	DEKAL		1	
6	577 46 90-01	DEKAL		3	
7	580 94 07-01	DEKAL		2	
8	580 94 08-01	DEKAL		1	

C PP518
HYDRAULIC TANK ASSY

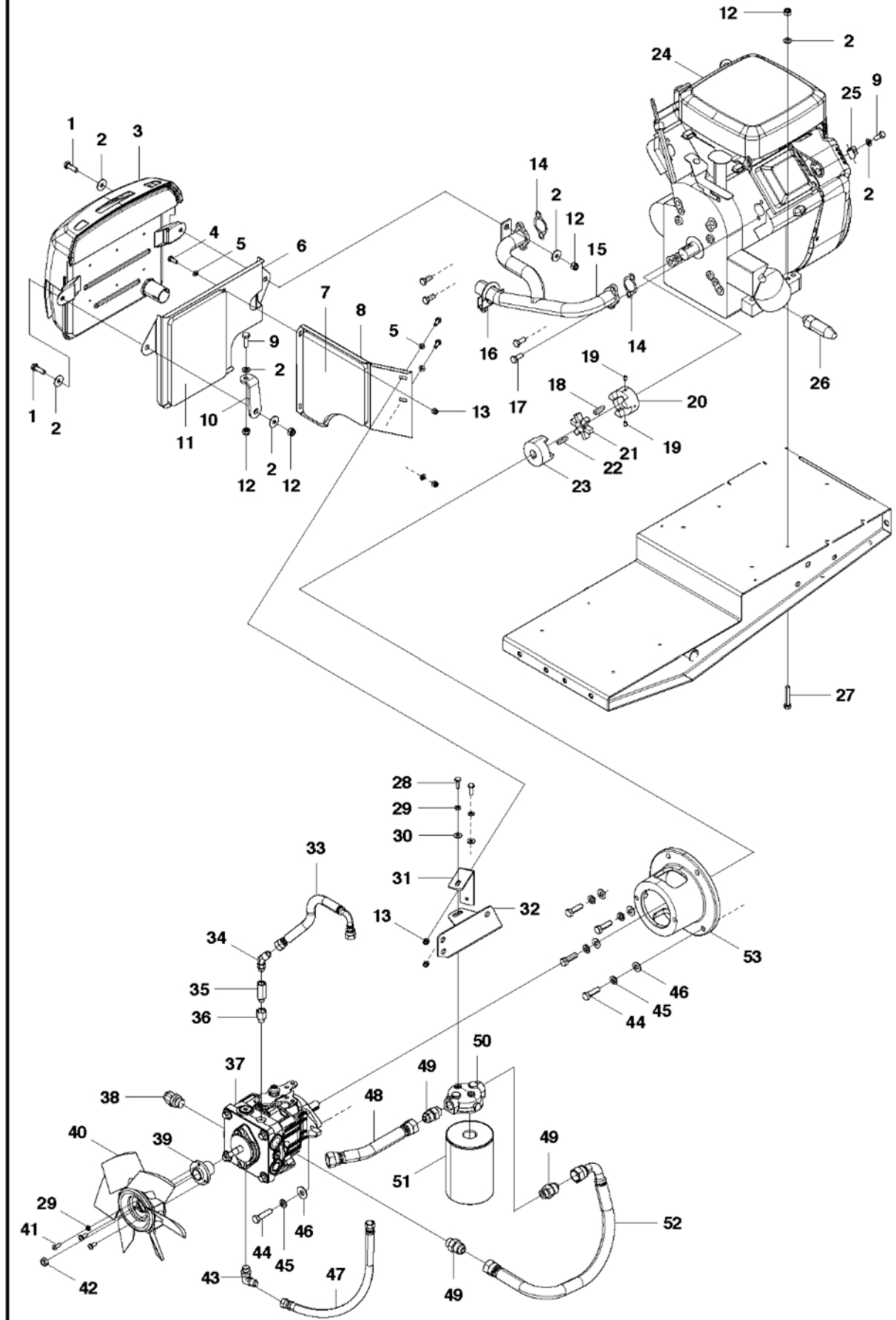


Ref	Part no.	Description	Remark	Qty	Kit
1	510 02 37-01	FYLLNADSSTYCKE		1	
2	542 02 04-24	RHMS, #10-32 x .375 BRASS		3	
3	510 05 70-30	FITTING		1	
4	542 16 64-48	FILTER HEAD		1	
5	541 20 50-19	FITTING		1	
6	580 65 83-01	FITTING		1	
7	579 63 32-01	TANK		1	
8	506 00 62-02	RÖR		1	
9	542 16 64-49	FS1200T FILTER HYDRAULI./		1	
10	510 20 23-02	SLANG		1	
11	541 20 75-23	NÄT		1	
12	541 20 49-75	HYD.FIT.. 6400-8 STRIPE MCHN		1	
13	521 90 40-01	NIVÅGLAS		1	
14	510 05 70-23	FITTING		1	
15	510 05 70-06	FITTING		2	
16	505 17 60-02	SEAL		1	
17	505 17 58-01	KYLARELEMENT		1	
18	505 17 59-01	FÄSTE		2	
19	734 11 54-41	BRICKA		4	
20	735 11 53-01	BRICKA		4	
21	725 23 66-71	SKRUV EHHM		4	
22	725 24 51-71	SKRUV EHHM		8	
23	735 11 64-01	FJÄDERBRICKA		8	
24	734 11 63-01	BRICKA		8	
25	510 10 49-02	RÖR		1	
26	510 05 70-28	FITTING		1	



Ref	Part no.	Description	Remark	Qty	Kit
1	542 19 90-53	HWH BODY BOLT W/DOG/PT M8-1.25		20	
2	578 91 82-01	PANEL		1	
3	725 24 55-71	SKRUV EHHM		2	
4	734 11 63-01	BRICKA		10	
5	579 64 04-01	SVÄRD		1	
6	740 43 04-00	O-RING		2	
7	579 66 11-01	HÅLLARE		1	
8	505 19 07-03	HANDTAG		1	
9	580 69 71-01	MATTA		1	
10	578 91 83-01	PANEL		1	
11	725 24 62-71	SKRUV EHHM		7	
12	732 25 18-01	HEXAGON LOCKING NUT		9	
13	541 20 75-69	HANDTAG		1	
14	579 64 01-01	RAM		1	
15	542 16 75-55	MUTTER		19	
16	579 64 00-01	RAM		1	
17	578 91 84-01	PANEL		1	
18	725 24 51-71	SKRUV EHHM		2	
19	579 61 37-01	PANEL		1	
20	578 92 01-01	PANEL		1	
21	580 69 68-01	MATTA		1	
22	579 59 42-01	PANEL		1	

B PP518
ENGINE & PUMP ASSY

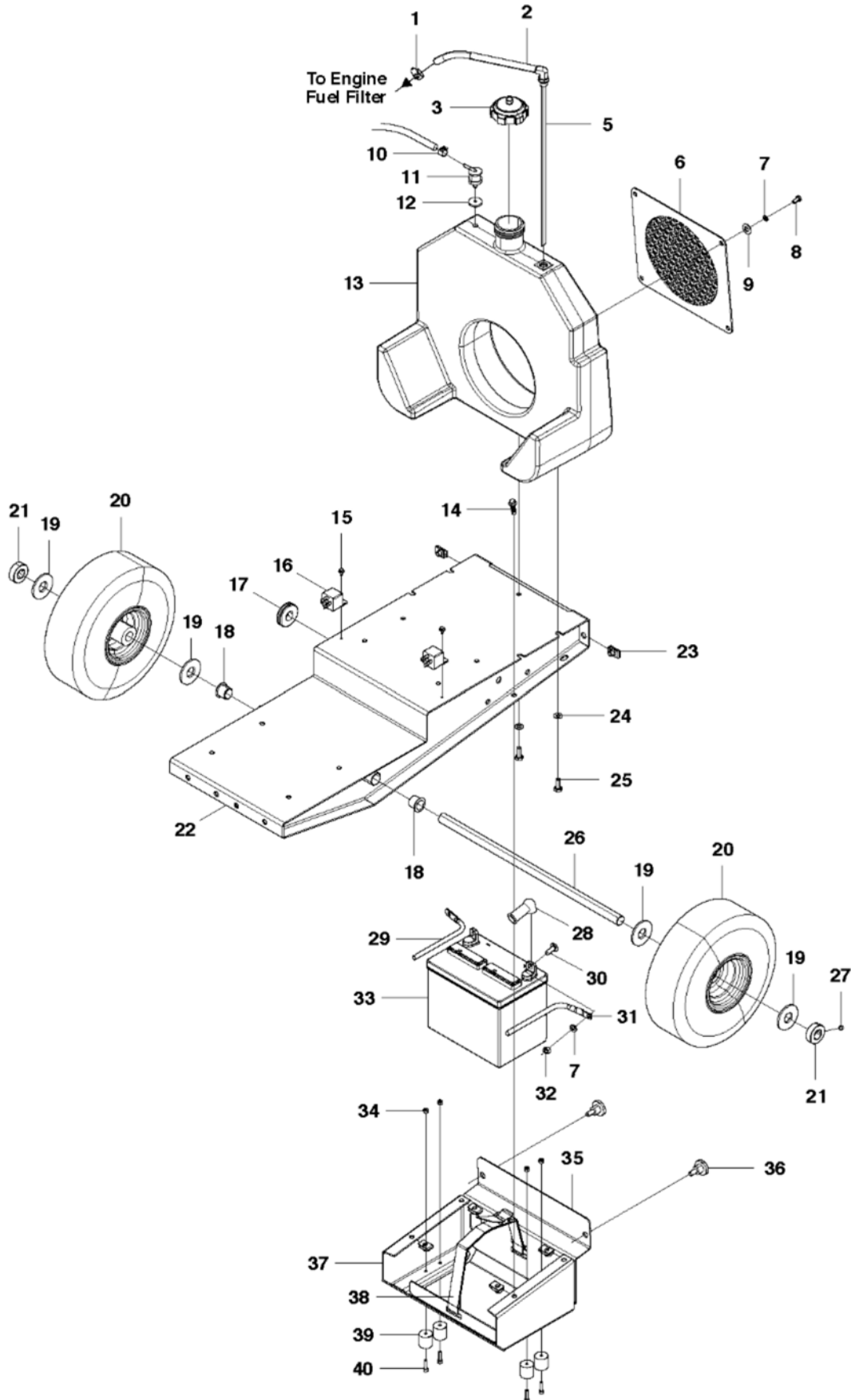


MOTOR

PP 518, 2012-06

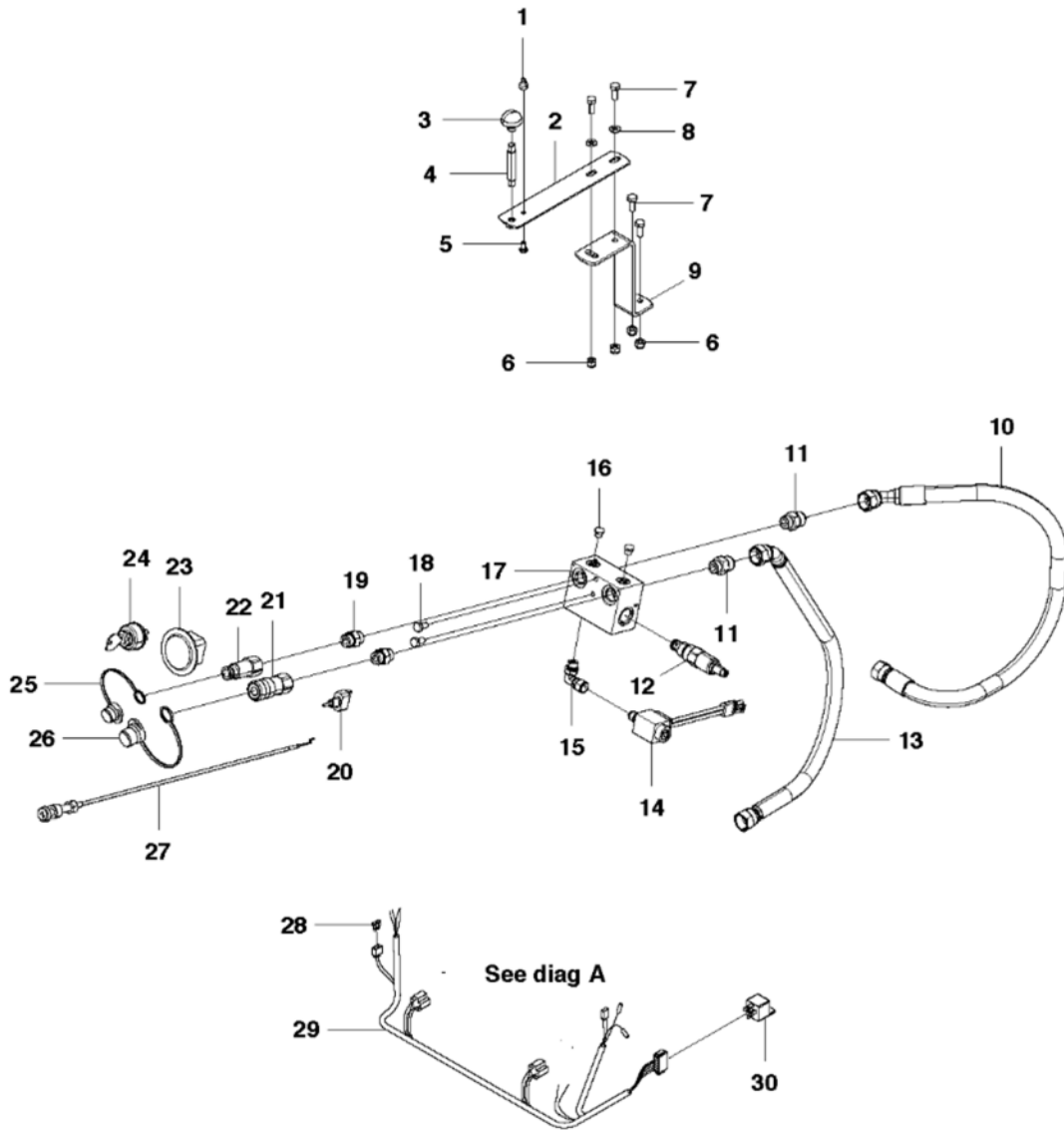
Ref	Part no.	Description	Remark	Qty	Kit
1	725 23 68-71	SKRUV EHHM		2	
2	734 11 63-01	BRICKA		11	
3	577 81 36-01	LJUDDÄMPARE		1	
4	725 23 66-71	SKRUV EHHM		4	
5	734 11 52-01	BRICKA		7	
6	578 91 85-01	VÄRMESKÖLD		1	
7	580 69 73-01	MATTA		1	
8	580 60 60-01	SKÄRM		1	
9	725 24 51-71	SKRUV EHHM		5	
10	578 91 75-01	FÄSTE		1	
11	580 69 76-01	MATTA		1	
12	732 25 18-01	HEXAGON LOCKING NUT		7	
13	732 25 16-01	HEXAGON LOCKING NUT		4	
14	510 02 45-01	PACKNING		2	
15	578 91 80-01	MELLANSTYCKE		1	
16	506 66 84-01	AVGASKLAMMA KPL.		1	
17	510 02 46-01	SKRUV		4	
18	510 11 22-01	TANGENT		1	
19	542 02 05-41	SHSS.,25-20 X.375 CUP HK/CONCR		2	
20	541 20 73-39	KOPPLING		1	
21	510 20 62-01	INSATS		1	
22	542 19 93-52	KEIL 5MM SQ. 25MM		1	
23	541 20 75-09	KOPPLING		1	
24	510 02 31-04	MOTOR		1	
25	542 16 66-74	CLAMP, VINYL COATED/3/8 X 3/8		1	
26	542 16 69-07	VALVE/		1	
27	725 24 60-71	SKRUV EHHM		4	
28	505 62 75-01	HEX BOLT 1/4-20-3/4 S.S.		2	
29	735 11 53-01	BRICKA		5	
30	734 11 54-41	BRICKA		4	
31	580 60 61-01	FÄSTE		1	
32	578 91 74-01	FÄSTE		1	
33	578 91 92-01	HYDRAULSLANG		1	
34	510 05 70-29	FITTING		1	
35	541 20 75-62	VENTIL		1	
36	510 05 70-02	FITTING		1	
37	510 02 30-01	PUMP		1	
38	541 20 48-07	FITTING		1	
39	505 16 38-02	ADAPTER		1	
40	505 16 39-02	FLÄKT		1	
41	542 17 62-01	SKRUV		3	
42	542 02 01-98	MUTTER		1	
43	539 30 03-10	HYD FIT 6801-6		1	
44	505 72 76-01	HEX BOLT 3/8-16X1 1/4 CAD GR 5		6	
45	539 99 01-18	BRICKA		6	
46	539 99 01-22	BRICKA		6	
47	578 91 93-01	HYDRAULSLANG		1	
48	579 00 11-01	HYDRAULSLANG		1	
49	510 05 70-01	FITTING		3	
50	510 02 32-01	FILTER		1	
51	510 02 33-02	FILTER		1	
52	578 91 89-01	HYDRAULSLANG		1	
53	541 20 73-36	MOUNT		1	

A PP518
FRAME, FUEL TANK & BATTERY



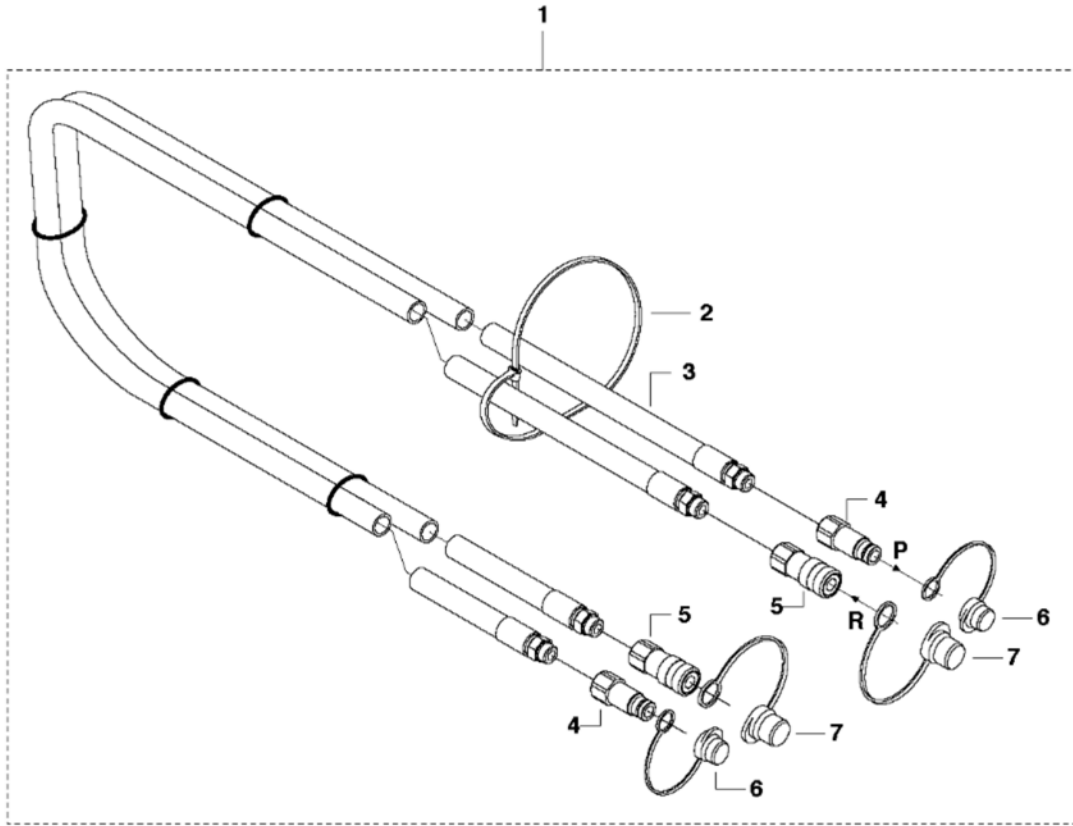
Ref	Part no.	Description	Remark	Qty	Kit
1	577 81 35-01	ÖVERFALL		1	
2	510 20 23-16	SLANG		1	
3	577 54 17-04	HATT		1	
5	541 20 75-84	RÖR		1	
6	541 20 75-90	KÅPA		1	
7	735 11 53-01	BRICKA		6	
8	725 23 66-71	SKRUV EHHM		4	
9	734 11 54-41	BRICKA		4	
10	577 81 35-02	ÖVERFALL		1	
11	576 61 81-01	VENTIL		1	
12	576 61 82-01	GENOMFÖRING		1	
13	581 86 49-01	BRÄNSLETANK		1	
14	542 19 90-53	HWH BODY BOLT W/DOG/PT M8-1.25		4	
15	541 20 76-27	SCREW		2	
16	542 16 67-08	RELAIS FS902T/02/03/		2	
17	504 01 08-01	GENOMFÖRING		1	
18	541 20 76-13	LAGER		2	
19	576 87 89-30	BRICKA		4	
20	542 16 90-59	HJUL		2	
21	541 20 10-90	KRAGE		2	
22	579 00 54-01	BOTTENPLATTA		1	
23	542 16 75-55	MUTTER		6	
24	734 11 63-01	BRICKA		5	
25	725 24 51-71	SKRUV EHHM		5	
26	541 20 75-19	AXEL		1	
27	542 02 05-49	SHSS. .3125-18 X .3125 HK		2	
28	542 17 70-66	RUBBER BOOT. BATT. TERM./BLACK		1	
29	542 18 20-04	KABEL		1	
30	725 23 70-71	SKRUV EHHM		2	
31	510 03 39-01	KABEL		1	
32	731 23 16-01	MUTTER (HEXAGON)		2	
33	522 95 02-01	BATTERI		1	
34	732 25 14-01	HEXAGON LÅSMUTTER		4	
35	578 91 97-01	BATTERILÅDA		1	
36	579 00 55-01	SCREW		2	
37	578 91 96-01	BATTERILÅDA		1	
38	578 91 98-01	SPÄNNBAND		1	
39	506 01 39-01	STÖTFÅNGARE		4	
40	542 17 23-89	SKRUV		4	

D PP518
CONTROL & MANIFOLD ASSY



Ref	Part no.	Description	Remark	Qty	Kit
1	578 91 71-01	INDIKATOR		1	
2	578 91 69-01	HÄVARM		1	
3	506 38 54-01	KNOPP		1	
4	578 91 72-01	HANDTAG		1	
5	725 23 66-71	SKRUV EHHM		1	
6	732 25 18-01	HEXAGON LOCKING NUT		4	
7	725 24 51-71	SKRUV EHHM		4	
8	734 11 63-01	BRICKA		2	
9	578 92 00-01	FÄSTE		1	
10	578 91 91-01	HYDRAULSLANG		1	
11	510 05 70-01	FITTING		2	
12	520 29 17-01	VENTIL		1	
13	578 91 90-01	HYDRAULSLANG		1	
14	520 29 25-01	BRYTARE		1	
15	510 05 70-25	FITTING		1	
16	576 19 11-85	FITTING		2	
17	505 00 43-02	MELLANSTYCKE		1	
18	542 19 90-53	HWH BODY BOLT W/DOG/PT M8-1.25		2	
19	541 20 75-43	FITTING		2	
20	542 19 96-48	BRYTARE		1	
21	541 20 75-44	FITTING		1	
22	541 20 75-45	FITTING		1	
23	504 74 13-01	TIMMÄTARE		1	
24	542 17 79-20	KEYSWITCH. W/KEY & HARDWARE		1	
25	506 11 44-01	DUST PROTECTION		1	
26	506 17 37-01	DAMMSKYDD		1	
27	580 75 93-01	KABLAGE KPL		1	
28	542 16 68-55	SÄKRING		1	
29	579 63 36-01	SELE		1	
30	542 16 67-08	RELAIS FS902T/02/03/		1	

G PP518
HOSE SET



SLANG

PP 518, 2012-06

Ref	Part no.	Description	Remark	Qty	Kit
1	510 20 23-06	SLANG	HOSE 1 Incl. 2 - 7, 1/2" x 25'	1	
1	510 20 23-08	SLANG	HOSE 1 Incl. 2 - 7, 5/8" x 25'	1	1
1	510 20 23-10	SLANG	HOSE 1 Incl. 2 - 7, 5/8" x 50'	1	1
2	542 16 62-14	BUNTBAND	TIE WRAP 2	5	1
3	510 20 23-07	SLANG	HOSE 2 1/2" x 25'	2	1
3	510 20 23-09	SLANG	HOSE 2 5/8" x 25'	2	1
3	510 20 23-11	SLANG	HOSE 2 5/8" x 50'	2	1
4	541 20 75-45	FITTING	FITTING 2 Male	2	1
5	541 20 75-44	FITTING	FITTING 2 Female	2	1
6	506 11 44-01	DUST PROTECTION	DUST PROTECTION 2	2	1
7	506 17 37-01	DAMMSKYDD	DUST COVER 2	2	1