

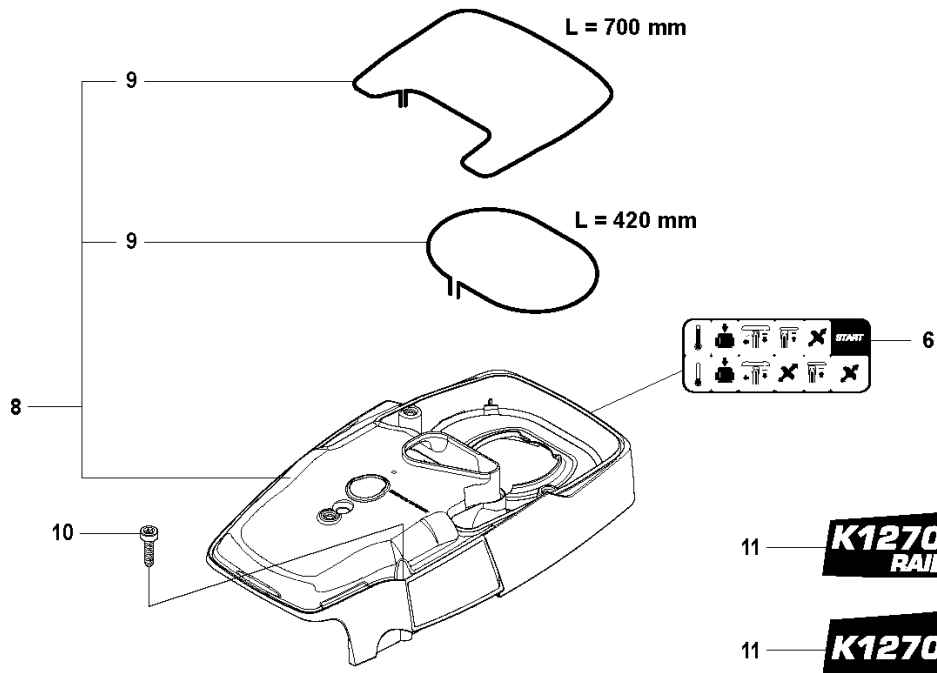
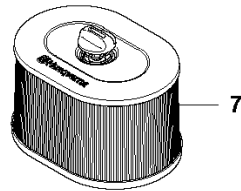
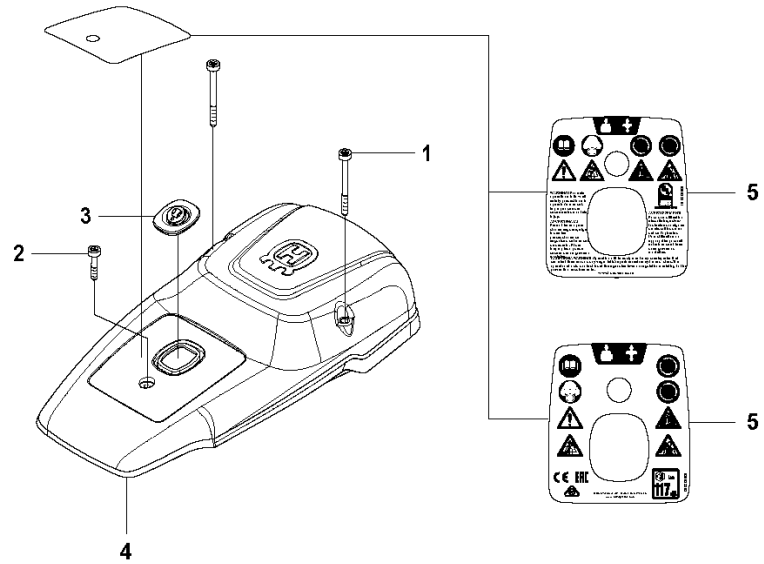


SPARE PARTS LIST

POWER CUTTERS

K1270, 2016-07

L K1270

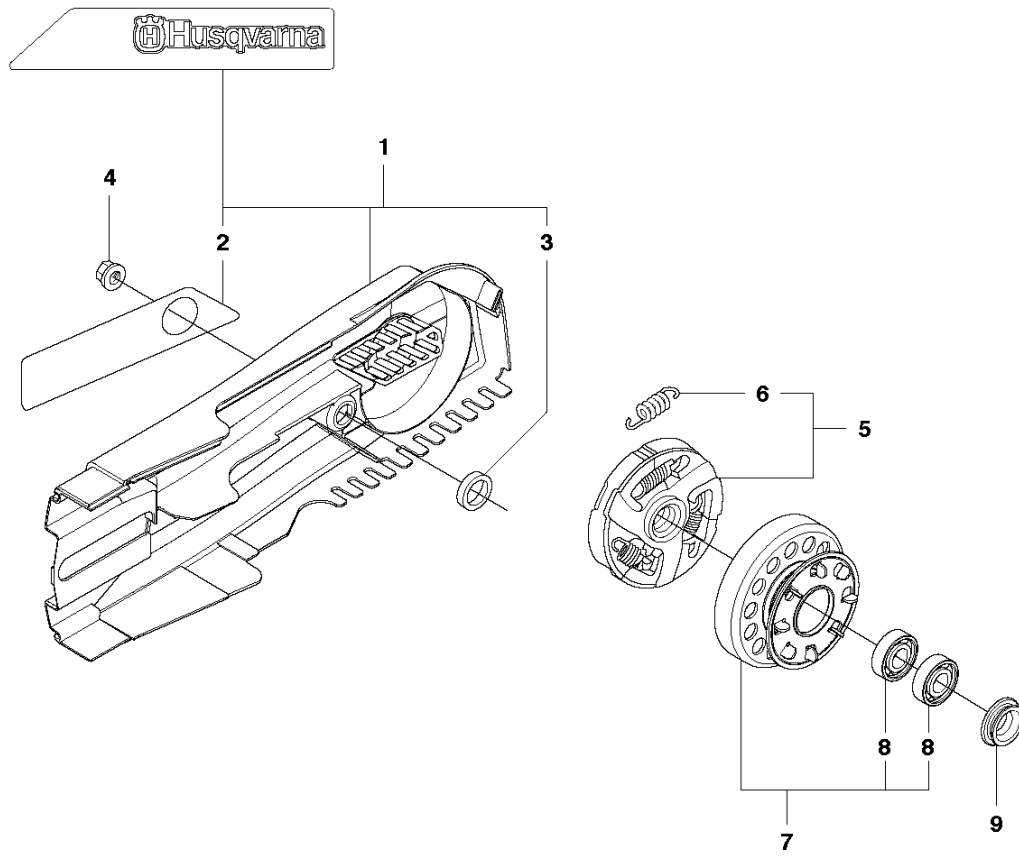


AIR FILTER

K1270, 2016-07

Ref	Part No	Description	Remark	QTY	KIT
1	503 21 53-56	SCREW ITXSCM		2	
2	503 21 53-12	SCREW ITXSCM		1	
3	585 42 83-01	PLUG		1	
4	589 02 34-01	FILTER COVER		1	
5	589 02 38-01	DECAL	USA, CANADA, MEXICO	1	
5	589 02 38-03	DECAL	CE	1	
6	544 87 38-02	LABEL		1	
7	510 24 41-03	AIR FILTER	Standard	1	
7	510 24 41-05	AIR FILTER	Rail	1	
8	576 55 32-02	CYLINDER COVER	Incl. 9 - 10	1	
9	525 61 70-04	SEALING		2	8
10	503 21 53-30	SCREW ITXSCM		5	8
11	525 81 69-04	LABEL	K1270 Rail	1	
11	525 81 69-03	LABEL	K1270	1	

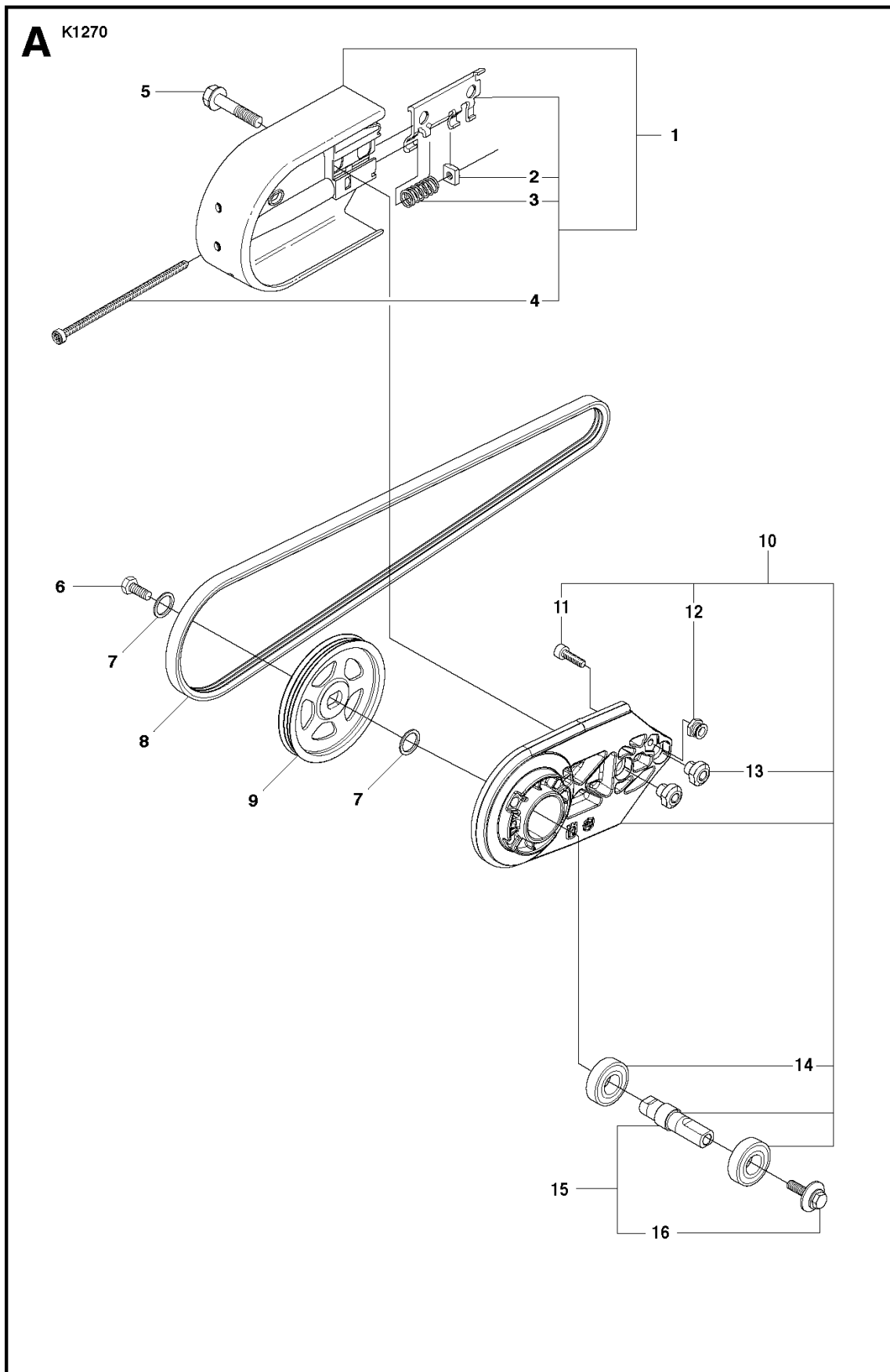
C K1270



BELT GUARD

K1270, 2016-07

Ref	Part No	Description	Remark	QTY	KIT
1	506 27 17-04	BELT GUARD	Incl. 2, 3	1	
2	544 87 36-01	LABEL		1	1
3	506 26 84-01	SPACING SLEEVE		1	1
4	503 22 00-01	HEXAGON NUT		1	
5	503 14 49-01	CLUTCH ASSY	Incl. 6	1	
6	503 14 51-01	CLUTCH SPRING		3	5
7	588 80 92-01	DRIVING PULLEY ASSY	"14"". Incl. 8"	1	
7	588 80 92-02	DRIVING PULLEY ASSY	"16"". Incl. 8"	1	
8	525 83 18-01	BALL BEARING		2	7
9	587 53 64-01	SPACING SLEEVE		1	

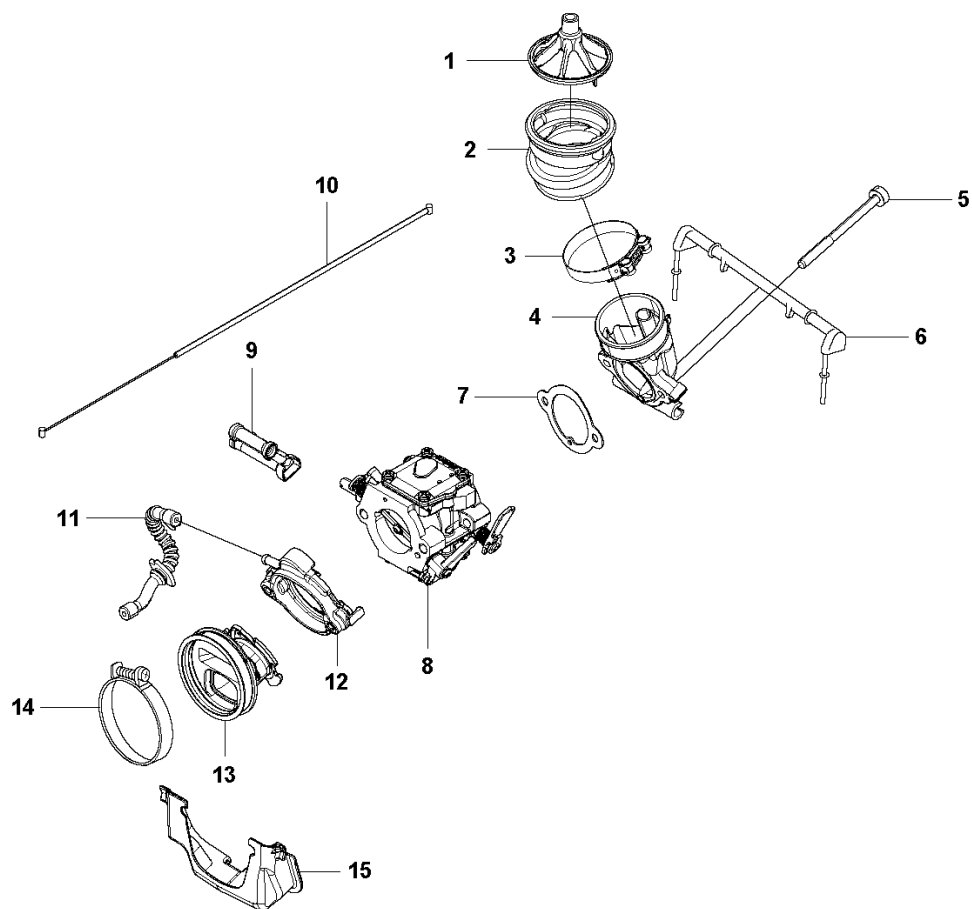


BELT GUARD & PULLEY

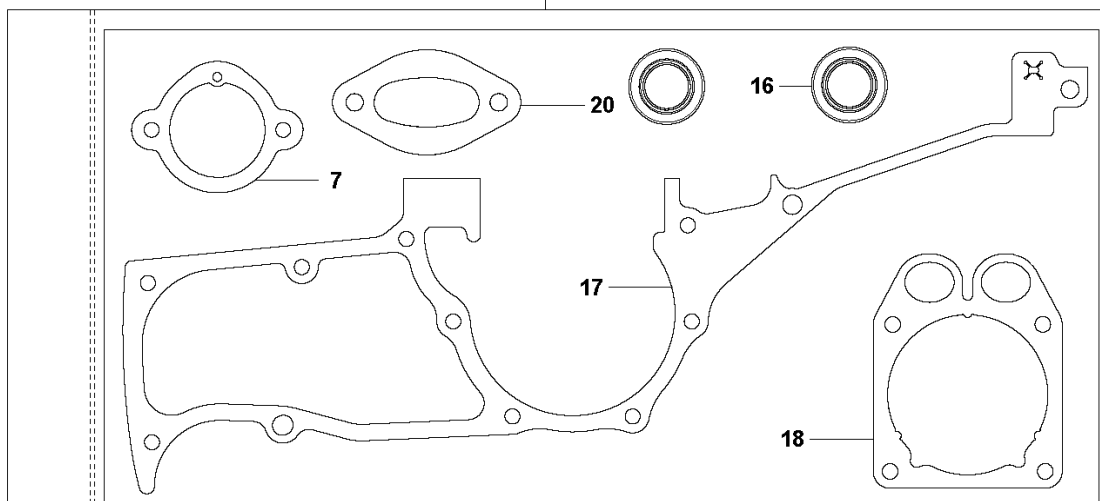
K1270, 2016-07

Ref	Part No	Description	Remark	QTY	KIT
1	506 27 92-06	BELT GUARD	Incl. 2 - 4	1	
1	506 27 92-07	BELT GUARD	"Rail 14""", Incl. 2 - 4"	1	
1	506 27 92-08	BELT GUARD	"Rail 16""", Incl. 2 - 4"	1	
2	506 40 93-01	NUT		1	1
3	506 26 68-01	COMPRESSION SPRING		1	1
4	503 20 72-05	SCREW CITXSCM		1	1
5	506 28 44-01	SCREW EHHFM		2	
6	503 20 00-45	SCREW EHHFM		1	
7	503 23 01-04	WASHER		2	
8	544 97 63-01	BELT	"14""", 16""", Rail 14"""	1	
8	544 97 63-02	BELT	"Rail 16"""	1	
9	578 11 05-01	PULLEY		1	
10	586 30 71-02	BEARING HOUSING	Incl. 11 - 15	1	
11	505 57 41-16	SCREW ITXSCM		1	10
12	586 41 69-01	STOP		1	10
13	584 78 81-01	NUT		2	10
14	583 95 33-01	BALL BEARING		2	10
15	588 99 24-01	SHAFT	Incl. 16	1	
16	588 65 57-01	SCREW		1	

M K1270



19

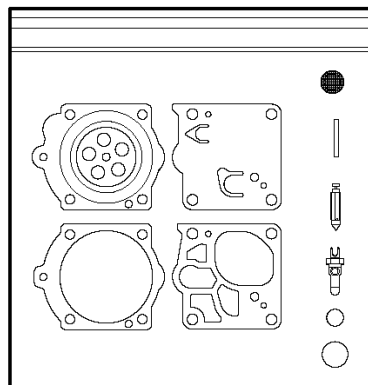
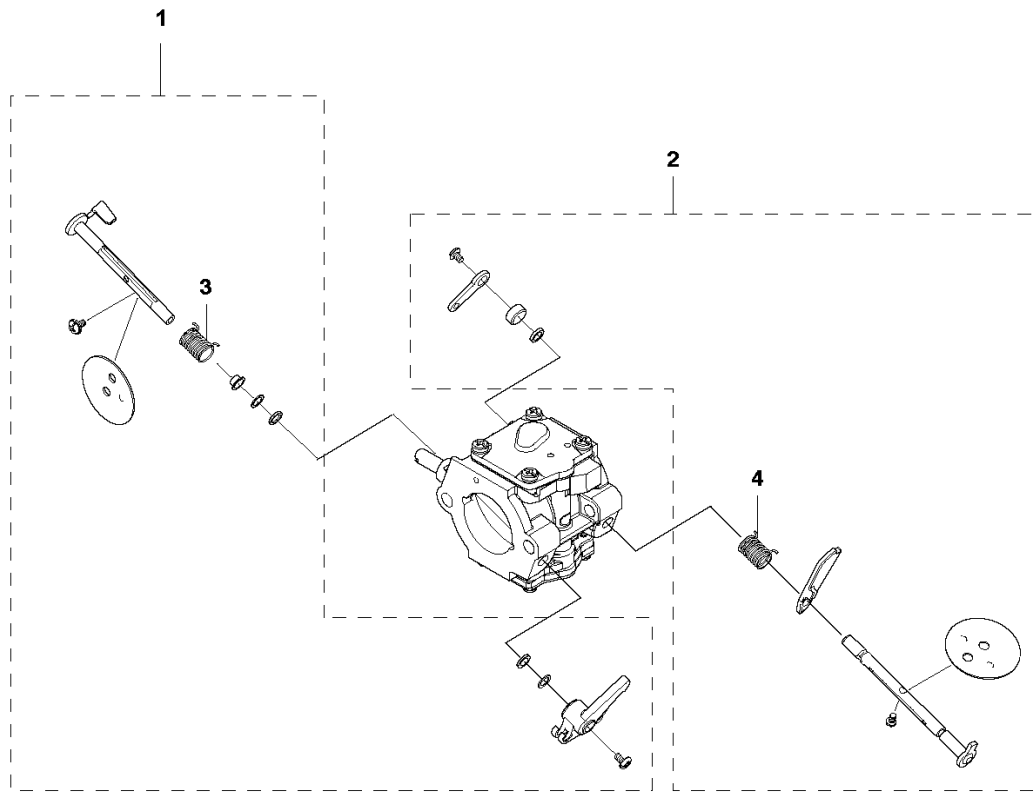


CARBURETOR

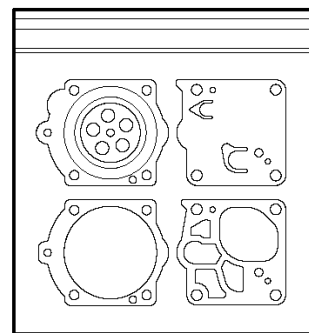
K1270, 2016-07

Ref	Part No	Description	Remark	QTY	KIT
1	510 24 39-01	FILTER		1	
2	510 24 38-02	BELLOWS		1	
3	505 28 33-07	HOSE CLAMP		1	
4	588 75 07-01	INLET BEND		1	
5	503 21 53-65	SCREW ITXSCM		2	
6	506 25 04-01	SUPPORT		1	
7	579 85 11-01	GASKET		1	20
8	589 02 36-01	CARBURETTOR		1	
9	588 89 20-01	GUIDE SLEEVE		1	
10	506 28 98-02	THROTTLE CABLE ASSY		1	
11	588 70 55-01	IMPULSE HOSE		1	
12	587 53 69-01	FLANGE		1	
13	587 53 68-01	INLET PIPE		1	
14	505 28 33-08	HOSE CLAMP		1	
15	588 63 04-01	INSULATION WALL		1	
16	503 26 02-05	SEALING RING		2	19
17	582 35 00-01	GASKET		1	19
18	587 53 62-01	GASKET		1	19
19	582 45 48-01	GASKET KIT		1	
20	585 28 09-01	GASKET		1	19

N K1270



5

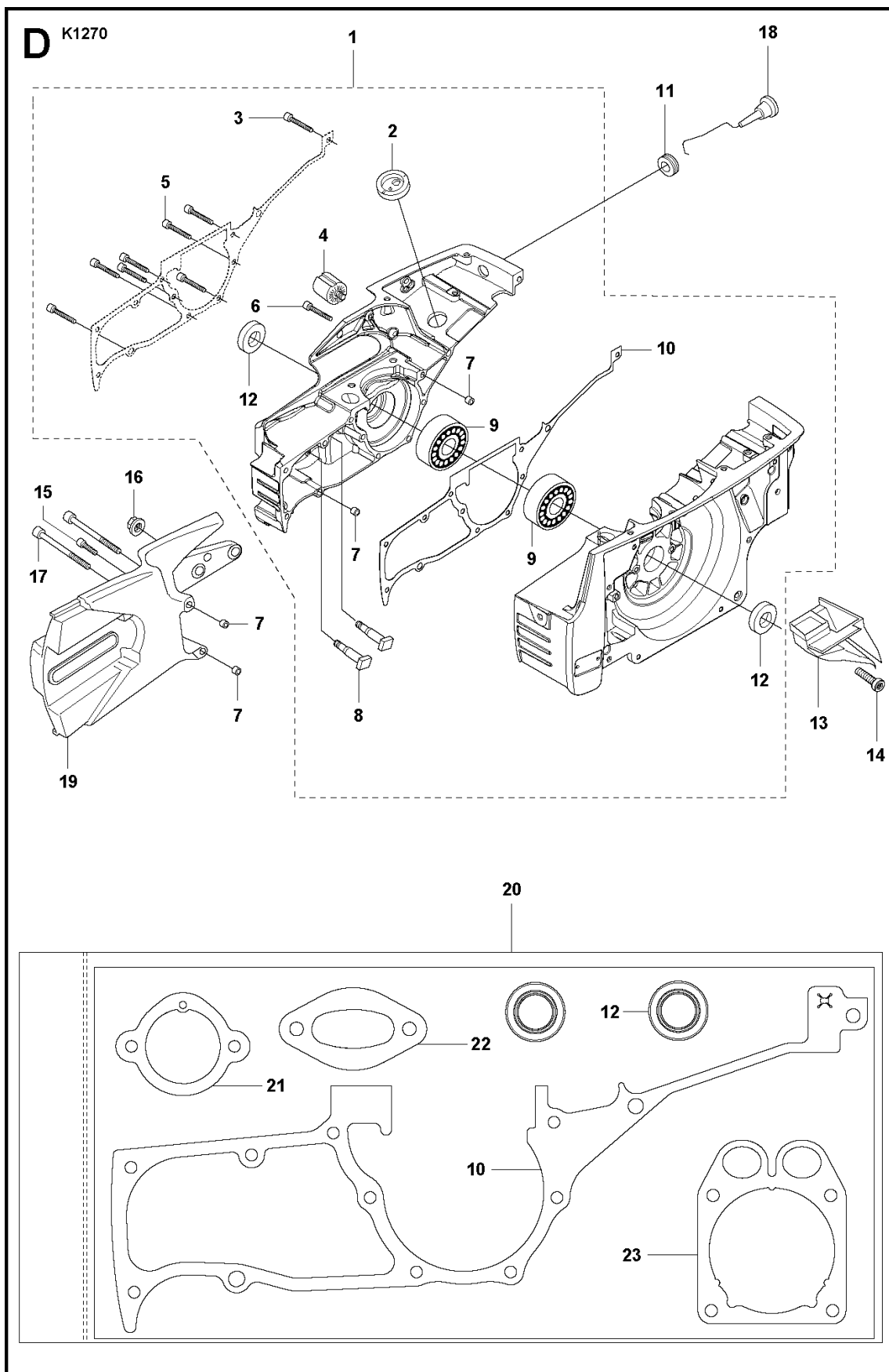


6

CARBURETOR DETAILS

K1270, 2016-07

Ref	Part No	Description	Remark	QTY	KIT
1	582 72 95-01	THROTTLE SHAFT		1	
2	582 72 97-01	CHOKE SHAFT		1	
3	579 79 15-01	SPRING		1	1
4	579 79 16-01	SPRING		1	2
5	582 60 65-01	REPAIR KIT		1	
6	503 59 74-03	GASKET KIT		1	

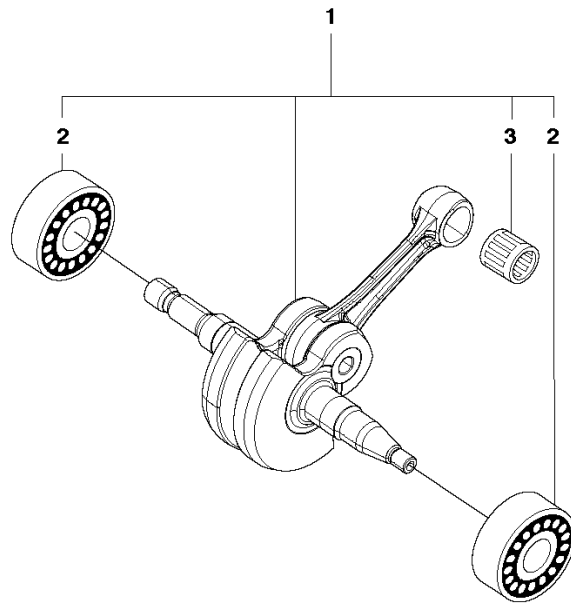


CRANKCASE

K1270, 2016-07

Ref	Part No	Description	Remark	QTY	KIT
1	582 60 35-01	CRANKCASE ASSY	Incl. 2-11	1	
2	503 13 20-01	GROMMET		1	1
3	503 21 53-20	SCREW ITXSCM		1	1
4	501 26 97-05	ANTIVIBRATION ELEMENT		1	1
5	503 21 53-41	SCREW ITXSCM		7	1
6	544 21 84-20	SCREW ITXSCM		1	1
7	501 27 08-01	GUIDE BUSHING		4	1
8	501 81 57-01	BAR BOLT		2	1
9	503 25 00-02	BALL BEARING		2	1
10	582 35 00-01	GASKET		1	20,1
11	503 14 54-02	GROMMET		1	
12	503 26 02-05	SEALING RING		2	20,1
13	506 23 70-01	AIR NOZZLE		1	
14	501 98 10-01	SCREW ITXSCM		1	
15	503 21 53-21	SCREW ITXSCM		1	
16	503 22 00-01	HEXAGON NUT		1	
17	503 21 53-65	SCREW ITXSCM		2	
18	506 25 43-02	CHOKE CONTROL		1	
19	506 24 14-04	CUTTER ARM		1	
20	582 45 48-01	GASKET KIT	Incl. 10, 12 21 - 23	1	
21	579 85 11-01	GASKET		1	20
22	585 28 09-01	GASKET		1	20
23	587 53 62-01	GASKET		1	20

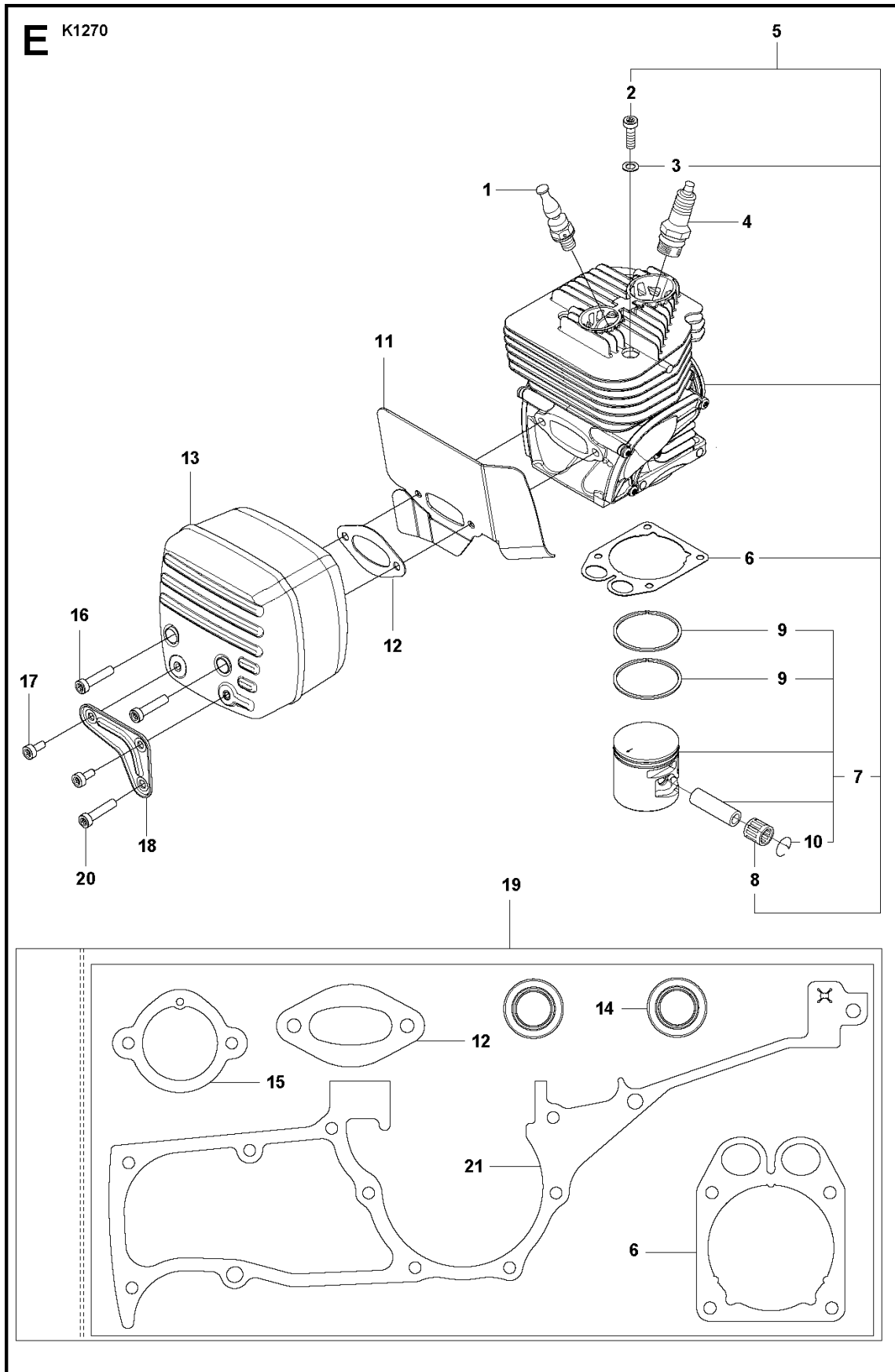
F K1270



CRANKSHAFT

K1270, 2016-07

Ref	Part No	Description	Remark	QTY KIT	
1	587 01 54-01	CRANKSHAFT ASSY	Incl. 2, 3	1	
2	503 25 00-02	BALL BEARING		2	1
3	503 13 91-01	NEEDLE BEARING		1	1

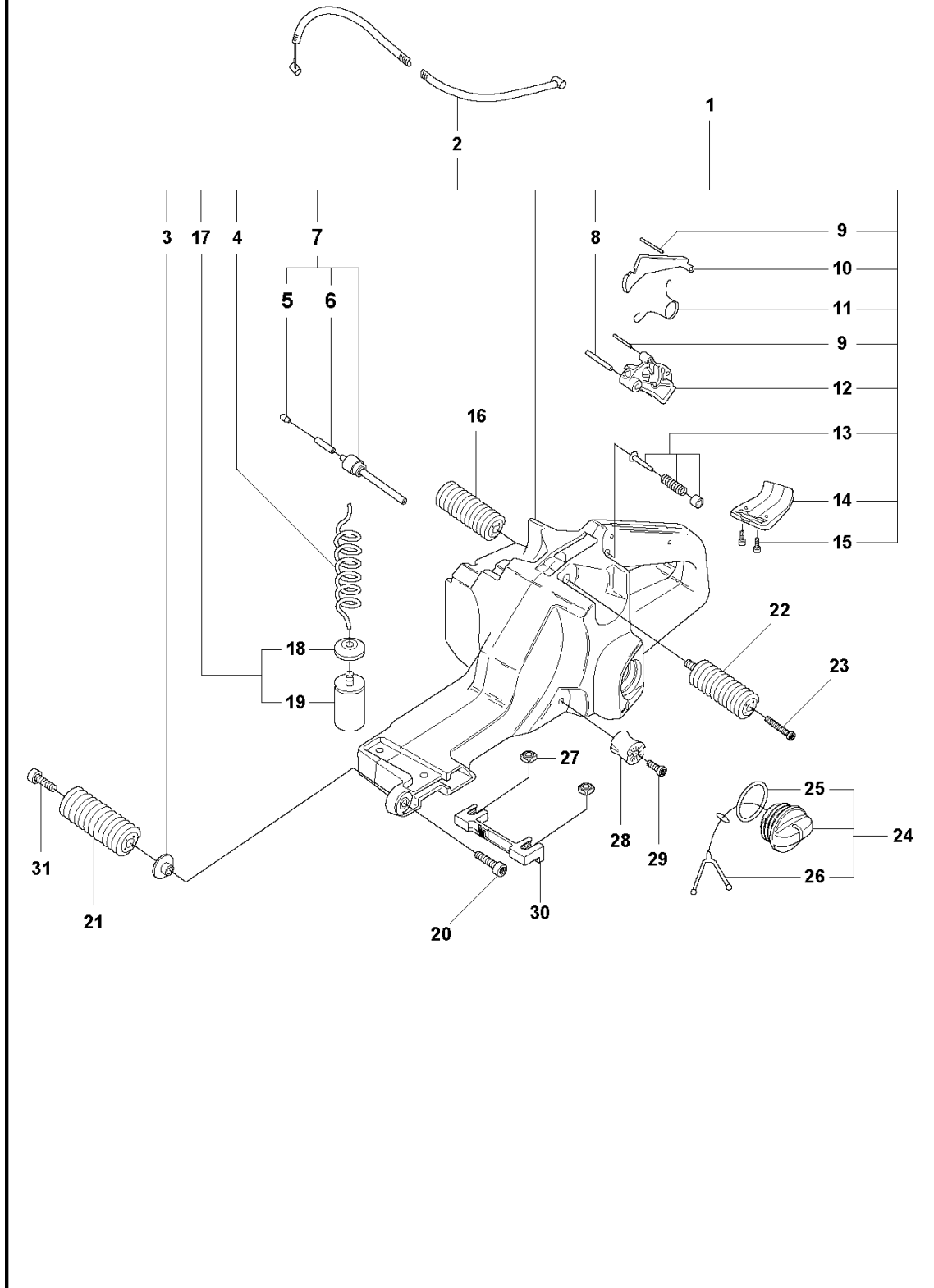


CYLINDER, PISTON & MUFFLER

K1270, 2016-07

Ref	Part No	Description	Remark	QTY	KIT
1	584 91 22-04	DECOMPRESSION VALVE		1	
2	516 00 24-01	SCREW UNC		4	5
3	503 23 00-05	WASHER		4	5
4	503 23 51-09	SPARK PLUG	RCJ 6Y	1	
5	582 58 23-01	CYLINDER ASSY	Incl. 6 - 8	1	
6	587 53 62-01	GASKET		1	5,19
7	587 82 98-02	PISTON ASSY	Incl. 9 - 10	1	5
8	503 13 29-01	NEEDLE HOLDER		1	5
9	587 83 00-01	PISTON RING		2	5
10	737 44 13-00	CIRCLIP		2	5
11	587 53 63-01	HEAT DEFLECTOR		1	
12	585 28 09-01	GASKET		1	19
13	505 41 79-05	MUFFLER ASSY	Incl. 14 - 15	1	
14	503 26 02-05	SEALING RING		2	19
15	579 85 11-01	GASKET		1	19
16	544 21 84-01	SCREW ITXSCM		2	
17	503 21 53-12	SCREW ITXSCM		2	
18	502 85 08-01	SUPPORT		1	
19	582 45 48-01	GASKET KIT		1	
20	544 21 84-20	SCREW ITXSCM		1	
21	582 35 00-01	GASKET		1	19

H K1270

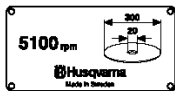
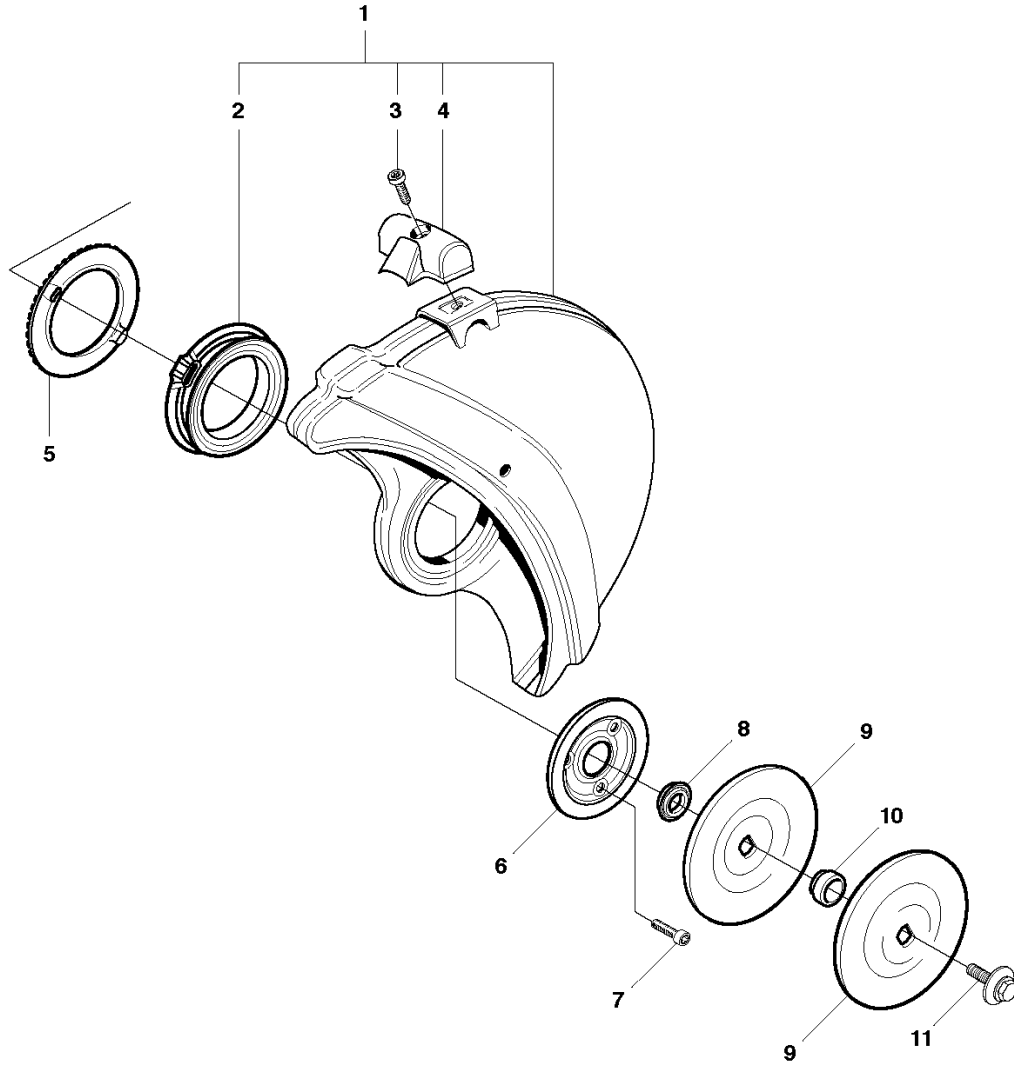


FUEL TANK

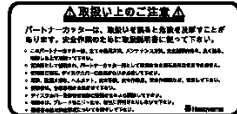
K1270, 2016-07

Ref	Part No	Description	Remark	QTY	KIT
1	582 62 58-01	FUEL TANK	Incl. 1 - 15, 17	1	
2	506 28 98-02	THROTTLE CABLE ASSY		1	1
3	503 14 08-01	BUSHING		1	1
4	581 75 62-02	FUEL HOSE		1	1
5	504 35 72-01	PLUG		1	1, 7
6	581 75 61-29	FUEL HOSE		1	1, 7
7	588 99 27-01	TANK VENT ASSY		1	1
8	720 12 78-06	PARALLEL PIN		1	1
9	720 12 40-20	PARALLEL PIN		1	1
10	503 13 16-02	THROTTLE LOCKOUT		1	1
11	503 13 18-01	SPRING		1	1
12	503 13 36-02	THROTTLE CONTROL ASSY		1	1
13	503 14 23-01	SPÄRRSTIFT RES		1	1
14	506 23 34-01	SUPPORT		1	1
15	503 21 45-16	SCREW CRCSFT		2	1
16	585 22 63-01	ANTIVIBRATION ELEMENT		1	
17	506 26 41-11	FUEL FILTER	Incl. 18 - 19	1	1
18	506 27 11-01	HOSE CLAMP		1	17,1
19	506 26 41-01	FUEL FILTER		1	17,1
20	503 21 53-20	SCREW ITXSCM		2	
21	503 13 27-02	ANTIVIBRATION ELEMENT		1	
22	585 22 64-01	ANTIVIBRATION ELEMENT		1	
23	544 21 84-20	SCREW ITXSCM		2	
24	506 25 59-06	TANK CAP ASSY	Incl. 25 - 26	1	
25	506 29 21-01	GASKET		1	24
26	503 57 89-01	HOLDER		1	24
27	505 42 04-01	NUT		2	
28	501 81 47-01	ANTIVIBRATION ELEMENT		1	
29	503 21 53-12	SCREW ITXSCM		1	
30	574 51 22-01	NUT LOCKING		1	
31	503 21 53-25	SCREW ITXSCM		1	

T K1270 RAIL ONLY



12



13

GUARDS

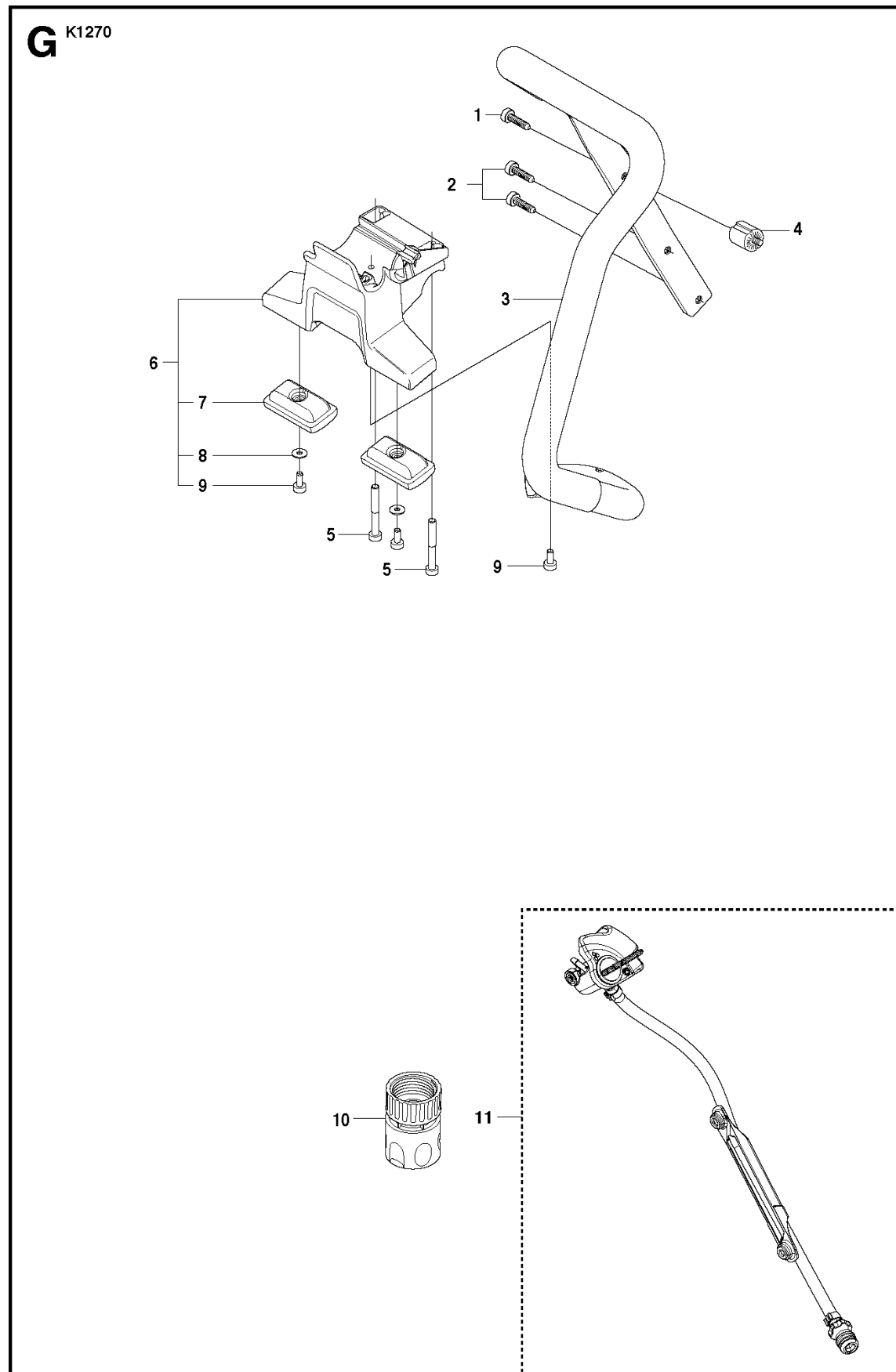
K1270, 2016-07

Ref	Part No	Description	Remark	QTY	KIT
1	506 34 05-44	BLADE GUARD	"14""	1	
1	506 34 05-46	BLADE GUARD	"16""	1	
1	506 34 05-54	BLADE GUARD	"14"" Rail"	1	
1	506 34 05-56	BLADE GUARD	"16"" Rail"	1	
2	506 26 63-02	LINING		1	1
3	503 21 53-20	SCREW ITXSCM		1	1
4	506 34 46-02	HANDLE		1	1
5	506 26 64-01	SCREEN		1	
6	506 26 65-01	FLANGE		1	
7	505 57 41-16	SCREW ITXSCM		3	
8	506 32 48-01	SUPPORT FLANGE		1	
9	506 02 87-01	FLANGE WASHER	Diam 105	1	
9	506 07 09-01	FLANGE WASHER	Diam 119	1	
10	506 37 96-20	KIT	Diam 20	1	
10	506 37 96-22	KIT	Diam 22,2	1	
10	506 37 96-25	KIT	Diam 25	1	
10	506 02 88-30	BUSHING	DIAM 30,5	1	
11	588 65 57-01	SCREW		1	
12	506 28 41-12	LABEL	"14"" Diam 20 mm"	1	
12	506 28 41-14	LABEL	"14""	1	
12	506 28 41-22	LABEL	"16"" Diam 20 mm"	1	
12	506 28 41-24	LABEL	"16""	1	
13	576 12 10-02	DECAL	"14""	1	
13	576 12 10-03	DECAL	"16""	1	

GUARDS

K1270, 2016-07

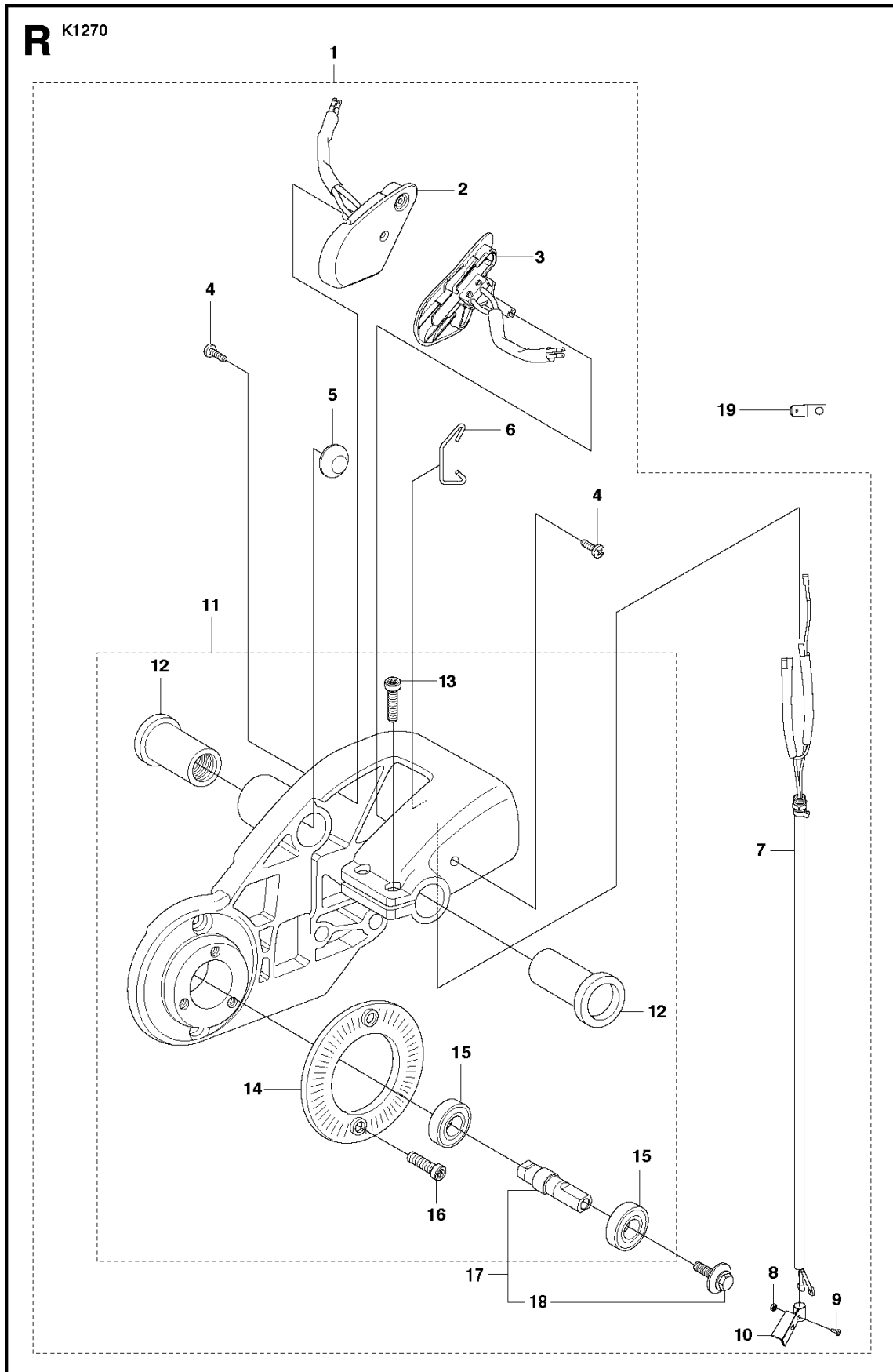
Ref	Part No	Description	Remark	QTY	KIT
1	581 35 19-04	WHEEL GUARD	"14""	1	
1	581 35 19-06	WHEEL GUARD	"16""	1	
2	504 90 94-14	SCREW ITXSCT		2	1
3	578 19 09-01	HANDLE HALF		1	1
4	578 76 09-01	HANDLE HALF		1	1
5	504 90 94-10	SCREW ITXSCT		1	1
6	581 62 03-01	STOP		1	1
7	584 43 77-01	DISC		1	
8	584 43 83-01	SUPPORT FLANGE		1	
9	583 87 44-02	FLANGE	Diam 105mm	1	
9	506 07 09-02	FLANGE WASHER	"Diam 119mm, Japan 14""/16""	1	
10	578 39 82-01	BUSHING	Diam 20/25,4mm	1	
10	581 60 54-03	BUSHING	Diam 30,5mm	1	
10	506 37 96-22	KIT	Diam 22,2mm	1	
11	588 65 57-01	SCREW		1	
12	544 21 84-30	SCREW ITXSCM		4	
13	584 43 82-01	SLEEVE	"14"", Shiny"	4	
13	584 43 82-02	SLEEVE	"16"", Black"	4	
14	584 43 81-01	SPRING		4	
15	584 43 78-01	SHIM		2	
16	584 43 79-01	LINING		1	1
17	584 43 80-01	LINING		1	1
18	581 11 77-06	DECAL	"14""	1	
18	581 11 77-07	DECAL	"16""	1	
19	584 99 26-02	DECAL	"14"", JP"	1	
19	584 99 26-03	DECAL	"16"", JP"	1	
20	582 23 31-01	WASHER		2	
21	582 23 32-01	WASHER		2	



HANDLE

K1270, 2016-07

Ref	Part No	Description	Remark	QTY	KIT
1	503 21 53-12	SCREW ITXSCM		1	
2	503 21 54-20	SCREW ITXSCT		2	
3	521 95 48-01	HANDLE		1	
4	501 26 97-05	ANTIVIBRATION ELEMENT		1	
5	544 21 84-47	SCREW ITXSCM		2	
6	525 82 04-02	GROUND SUPPORT	Incl. 7 - 9	1	
7	544 81 16-01	BASE		2	6
8	734 11 47-41	WASHER		2	6
9	504 90 94-14	SCREW ITXSCT		3	6
10	503 26 60-03	COUPLER	USA, Canada	1	
10	503 26 60-04	COUPLER		1	
11	581 47 62-05	HOSE KIT		1	

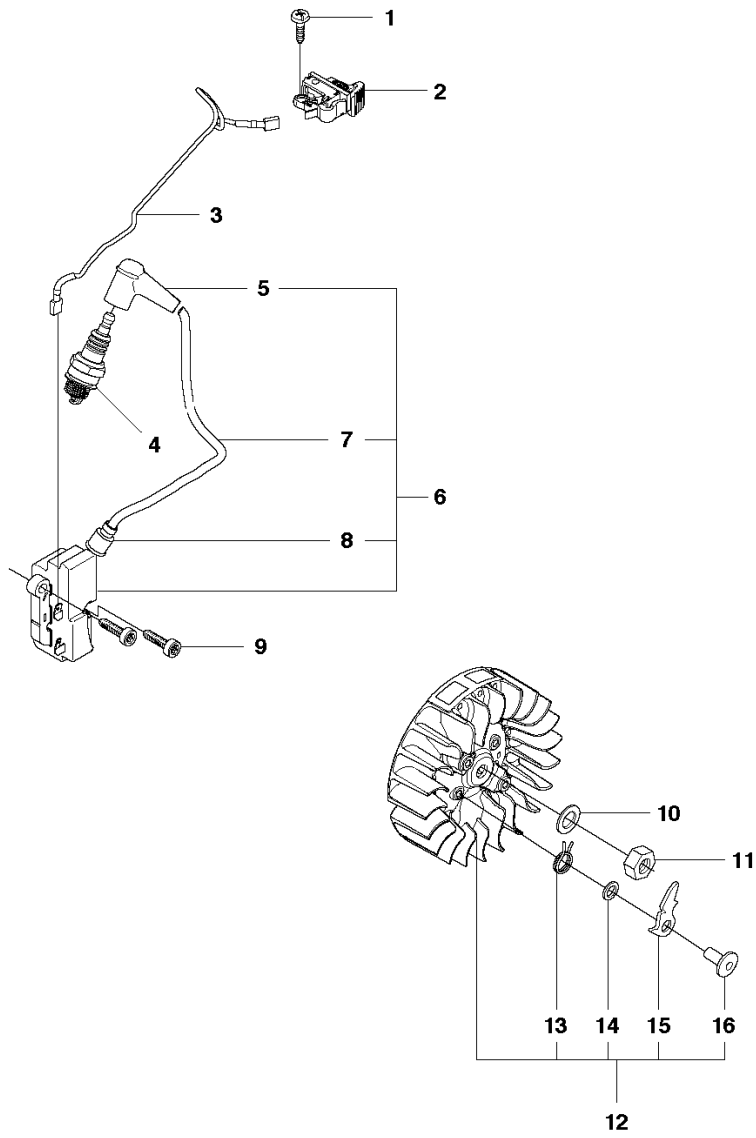


HOUSING

K1270, 2016-07

Ref	Part No	Description	Remark	QTY KIT	
1	576 66 57-02	BEARING HOUSING ASSY	"14"" Rail Stop Switch,"	1	
2	506 35 91-04	STOP SWITCH	RH	1	1
3	506 35 91-03	STOP SWITCH	LH	1	1
4	729 52 91-71	SCREW CRPANT		2	1
5	506 35 96-01	SPACING BLOCK		1	1
6	501 35 43-01	CLIP		1	1
7	506 35 90-01	WIRING		1	1
8	732 25 12-01	HEXAGON LOCKING NUT		1	1
9	724 12 87-59	SCREW CRPANM		1	1
10	506 35 80-01	BRACKET		1	1
11	576 66 57-01	BEARING HOUSING ASSY	"14"" Rail, "	1	1?
11	576 66 57-03	BEARING HOUSING ASSY	"16"" Rail, "	1	1?
11	576 66 57-04	BEARING HOUSING ASSY	"16"" Rail USA, "	1	1?
12	506 22 75-01	SLEEVE		2	11
13	503 20 02-16	SCREW IHSCFM		2	11
14	506 28 84-01	SCREEN		1	11
15	583 95 33-01	BALL BEARING		2	11
16	503 21 53-10	SCREW ITXSCM		2	11
17	588 99 24-01	SHAFT	Incl. 18	1	1
18	588 65 57-01	SCREW		1	17
19	535 03 94-01	CONNECTION		1	

K K1270



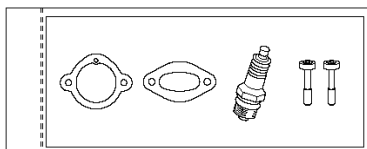
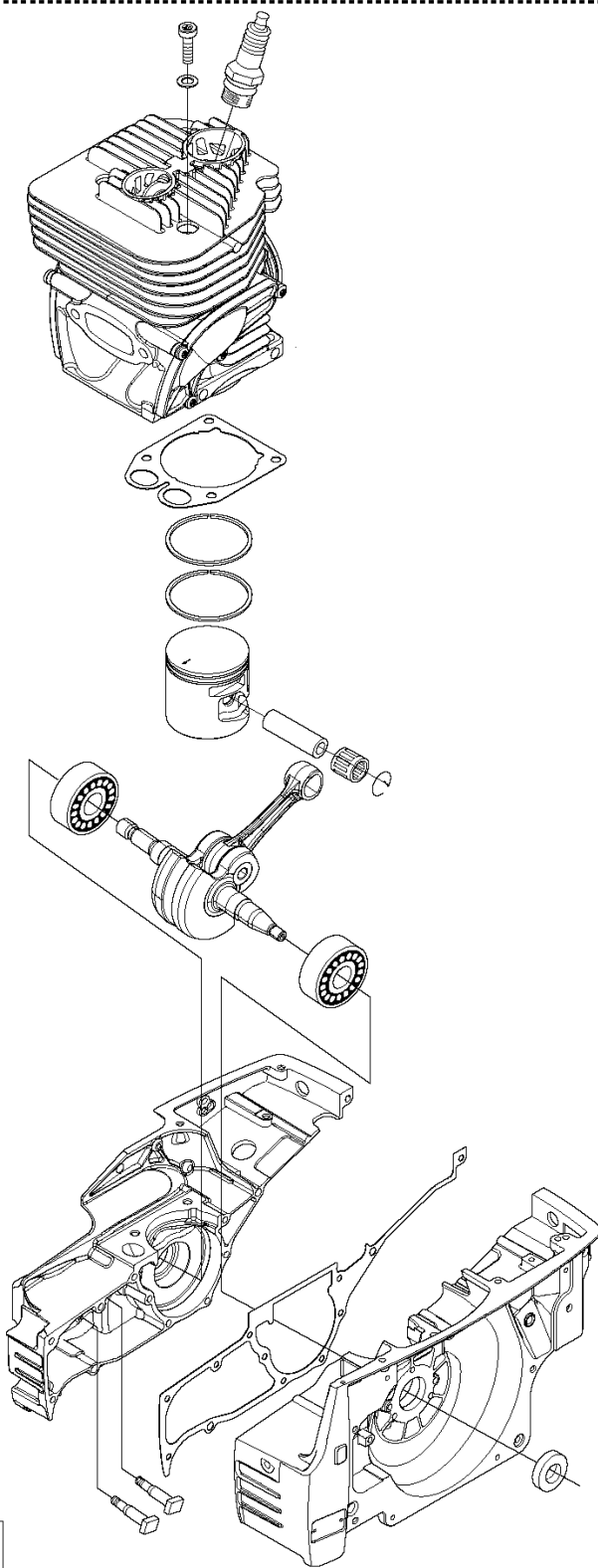
IGNITION SYSTEM

K1270, 2016-07

Ref	Part No	Description	Remark	QTY	KIT
1	525 88 74-02	SCREW CITXPANT		1	
2	506 31 86-04	STOP SWITCH		1	
3	501 83 98-03	CABLE		1	
4	503 23 51-09	SPARK PLUG	RCJ 6Y	1	
5	501 48 54-02	SPARK PLUG CAP		1	
6	580 38 05-03	IGNITION MODULE	Incl. 7 - 8	1	
7	506 38 78-34	IGNITION CABLE		1	6
8	505 27 75-16	ISOLERHATT		1	6
9	503 21 53-20	SCREW ITXSCM		2	
10	735 11 73-50	SPRING WASHER		1	
11	503 22 10-11	HEXAGON NUT		1	
12	587 24 88-01	FLYWHEEL ASSY	Incl. 13 - 16	1	
13	501 63 48-01	SPRING		2	12
14	503 23 00-42	WASHER		2	12
15	501 67 32-03	PAWL		2	12
16	501 81 99-01	SCREW		2	12

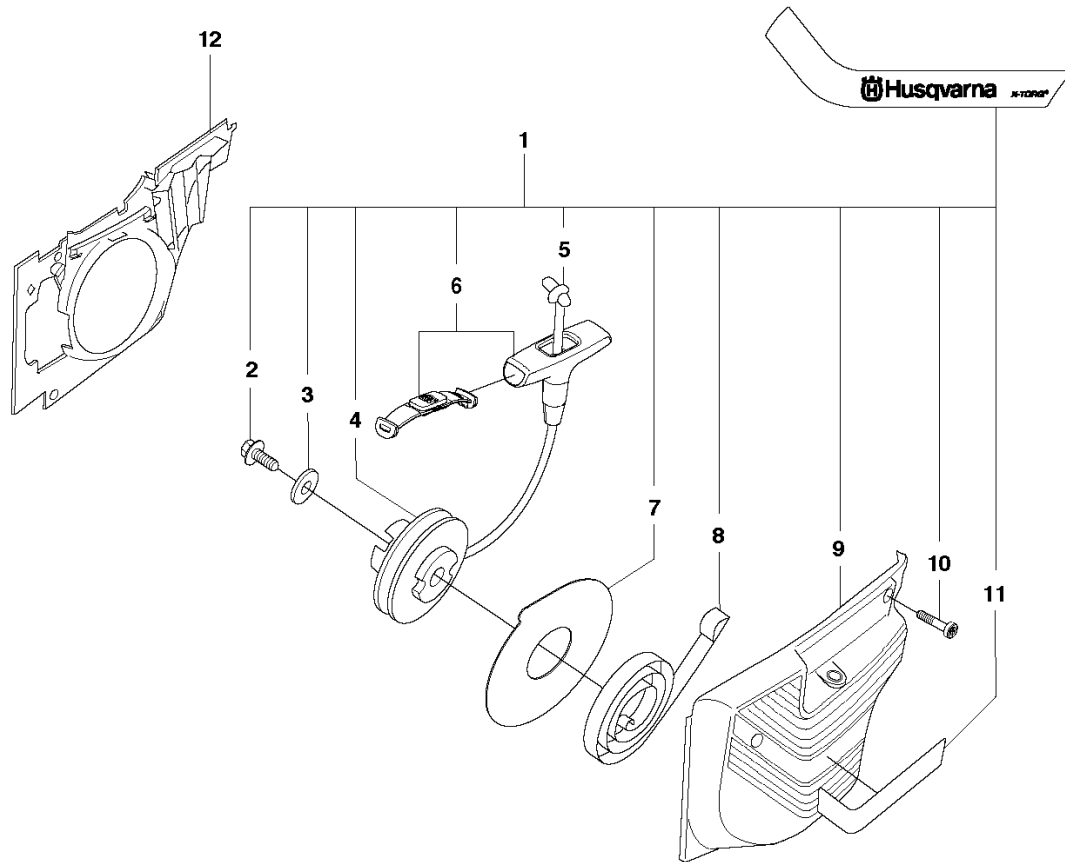
S K1270

1



Ref	Part No	Description	Remark	QTY KIT
1	582 41 50-02	CRANKCASE		1

J K1270

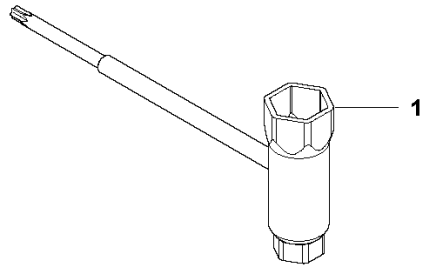


STARTER

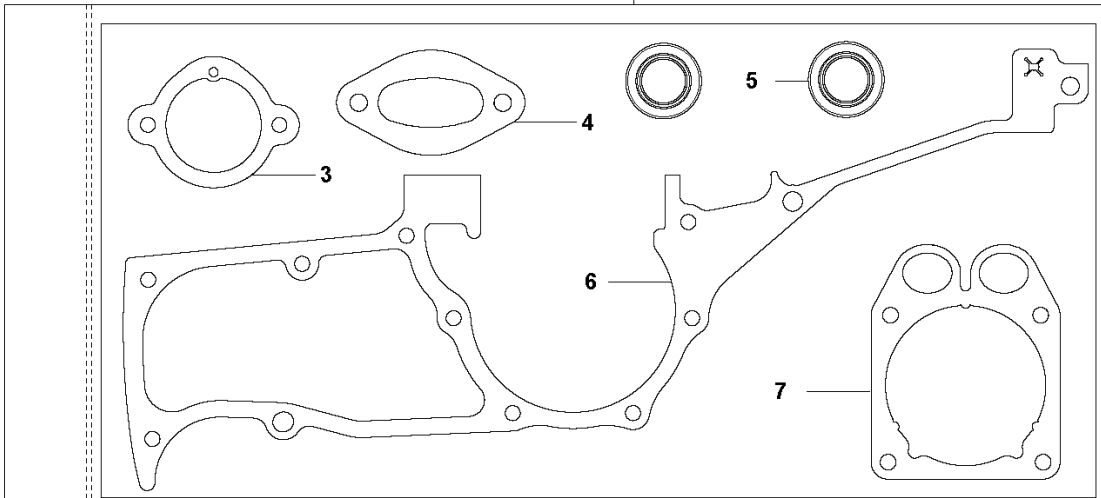
K1270, 2016-07

Ref	Part No	Description	Remark	QTY	KIT
1	506 27 55-07	STARTER	Incl. 2 - 11	1	
2	503 21 06-16	SCREW IHSCT		1	1
3	503 23 43-02	WASHER		1	1
4	501 89 67-04	STARTER PULLEY		1	1
5	506 33 56-25	STARTER CORD		1	1
5	506 33 56-50	STARTER CORD	50 meter	1	1
6	584 25 79-01	STARTER HANDLE ASSY		1	1
7	503 74 36-01	DAMPING DISC		1	1
8	503 13 50-01	RECOIL SPRING		1	1
9	506 25 58-02	STARTER COVER		1	1
10	503 21 53-26	SCREW ITXSCM		4	1
11	582 14 19-01	DECAL		1	1
12	501 89 59-02	AIR CONDUCTOR		1	
12	501 89 59-03	LEDSKENA	Rail Stop Switch only	1	

P K1270



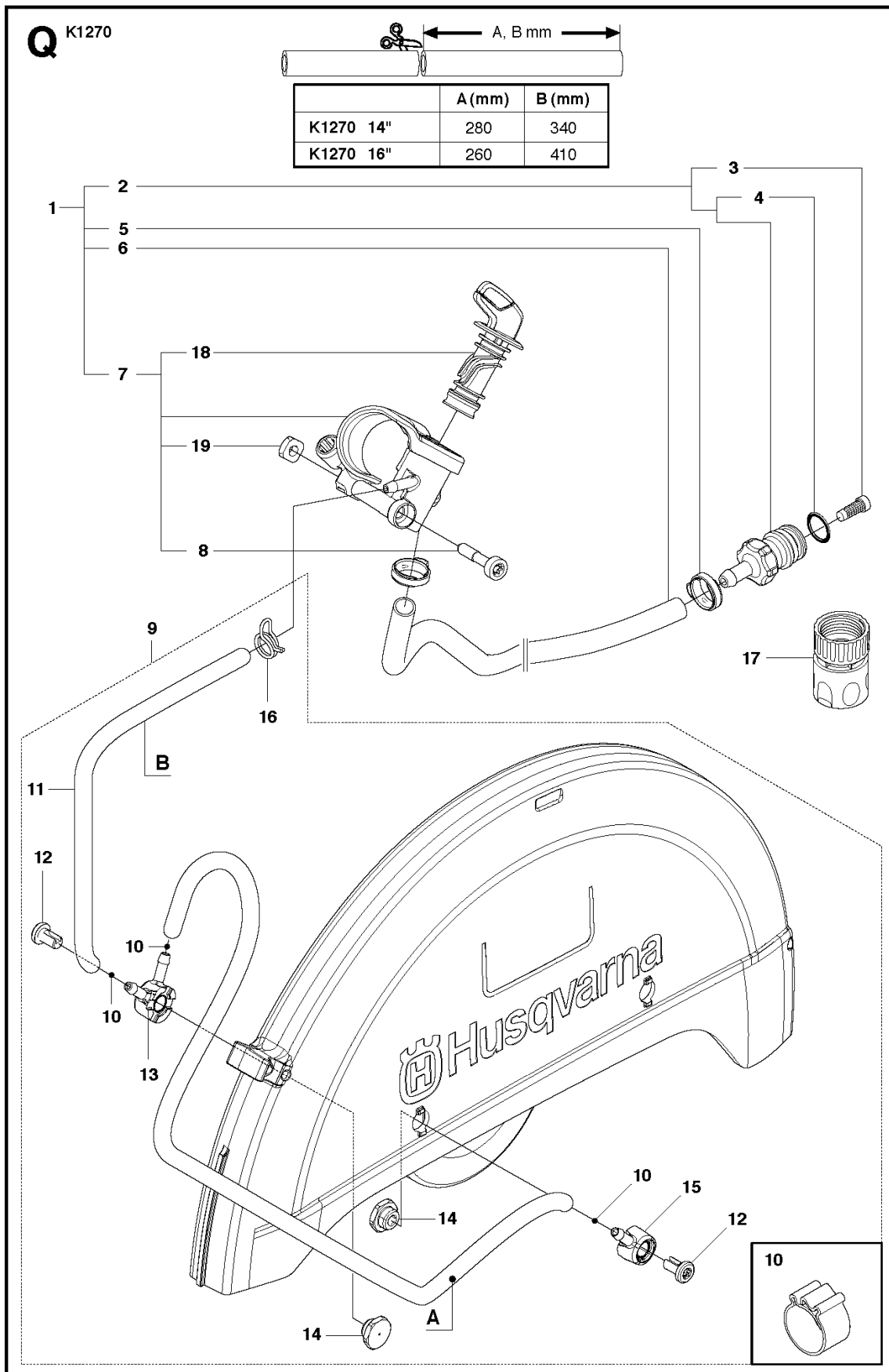
2



TOOLS

K1270, 2016-07

Ref	Part No	Description	Remark	QTY	KIT
1	506 38 26-01	TOOL	Torx 27	1	
2	582 45 48-01	GASKET KIT	Incl. 3 - 7	1	
3	579 85 11-01	GASKET		1	2
4	585 28 09-01	GASKET		1	2
5	503 26 02-05	SEALING RING		2	2
6	582 35 00-01	GASKET		1	2
7	587 53 62-01	GASKET		1	2



WATER HOSE KIT

K1270, 2016-07

Ref	Part No	Description	Remark	QTY KIT
1	581 47 62-05	HOSE KIT		1
2	581 47 83-02	NIPPLE		1 1
3	506 29 88-01	FILTER		1 1,2
4	505 10 35-01	O-RING		1 1,2
5	581 78 35-01	HOSE CLAMP		2 1
6	578 19 81-04	HOSE		1 1
7	578 24 33-02	VALVE ASSY		1 1
8	503 21 53-41	SCREW ITXSCM		1 1,7
9	581 72 15-01	HOSE KIT		1
10	506 49 87-03	HOSE CLAMP		3 9
11	578 19 83-05	HOSE	800mm	1 9
12	504 63 46-01	SCREW ITXSCM		2 9
13	578 19 07-01	HOUSING		1 9
14	576 79 84-01	NIPPLE		2 9
15	578 19 08-01	HOUSING		1 9
16	583 83 30-01	HOSE CLAMP		1 9
17	503 26 60-03	COUPLER	"1/2""	1
17	503 26 60-04	COUPLER	"GHT 3/4""	1
18	581 35 70-01	LEVER ASSY		1 1,7
19	503 22 65-04	SQUARE NUT		1 1,7