

K3600 MkII

Reservdelar

Spare parts

Ersatzteile

Pieces de rechange

Piezas de repuesto

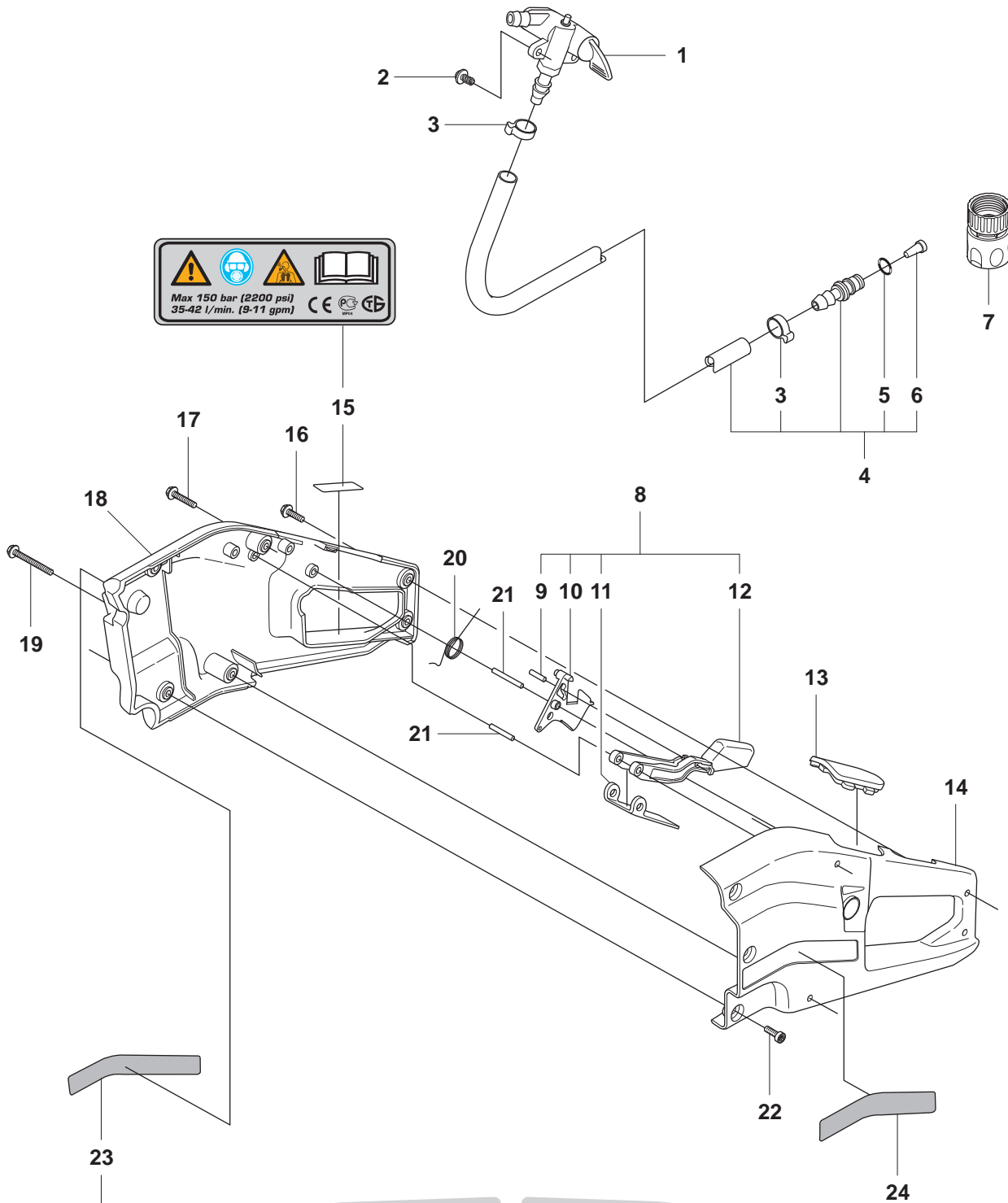
Ricambi

Peças sobresselente

No.	Pos.	Description	No.	Pos.	Description
501 19 22-01	G	TOOL CASING	506 31 63-01	A	PLATE
501 98 65-01	E	HOSE	506 31 68-01	C	SPACING SLEEVE
503 20 54-35	B	SCREW	506 31 68-02	B	SPACING SLEEVE
503 21 46-01	AE	SCREW	506 31 69-01	C	DUST COVER
503 21 53-12	A	SCREW	506 32 00-01	D	SHAFT
503 21 53-16	A	SCREW	506 32 08-04	D	GEAR WHEEL ASSY
503 21 53-20	D	SCREW	506 32 17-01	B	WASHER
503 21 53-26	A	SCREW	506 33 08-01	B	THREAD BUSHING
503 21 53-30	D	SCREW	506 33 49-03	B	SPACER TUBE
503 21 53-41	A	SCREW	506 33 65-01	C	SEALING RING
503 22 00-01	B	NUT FLANGE	506 34 39-01	C	WIPER
503 22 04-01	BC	NUT	506 34 63-01	B	WASHER
503 23 04-03	B	WASHER	506 34 64-01	B	SCREW
503 24 07-01	D	PIN	506 34 67-14	D	KIT
503 25 24-01	BC	BALL BEARING	506 34 76-01	C	COMPRESSION SPRING
503 26 20-01	BC	SEALING RING	506 34 94-02	A	TAP
503 26 30-08	B	O-RING	506 35 18-07	B	LEVER ASSY
503 26 30-22	E	O-RING	506 35 19-03	BC	WEAR PROTECTION
503 26 30-25	E	O-RING	506 35 20-05	C	GUIDE ROLLER
503 26 30-26	B	O-RING	506 35 20-06	C	GUIDE ROLLER
503 26 30-28	D	O-RING	506 35 21-03	B	SUPPORT ROLLER
503 26 60-03	A	COUPLER	506 35 52-01	G	SPANNER
503 26 60-04	A	COUPLER	506 35 54-03	A	WINDOW
504 11 67-01	E	SPRING	506 35 72-04	E	HANDLE ASSY
505 10 35-01	A	O-RING	506 35 73-02	E	GRIP
505 10 35-01	E	O-RING	506 35 95-01	D	THROTTLE ROD
505 57 41-16	BCE	SCREW	506 36 36-01	G	ALLEN KEY
505 57 49-01	B	ADJUSTING SCREW	506 36 38-04	G	TOOL KIT
506 10 55-01	E	CUP SPRING	506 36 83-06	C	CHASSIS
506 10 95-02	F	HYDRAULIC HOSE	506 37 63-01	B	SPACER
506 10 96-21	F	QUICK COUPLING	506 37 64-01	B	RUBBER BUSHING
506 10 98-21	F	QUICK COUPLING	506 37 76-02	A	THROTTLE TRIGGER
506 11 03-01	D	O-RING	506 37 93-02	BC	SPACING SLEEVE
506 11 05-01	D	BEARING	506 38 09-01	C	BEARING CAGE
506 13 95-12	D	WASHER	506 38 11-01	C	CAP
506 17 83-04	D	GEAR WHEEL	506 38 21-02	C	CAP
506 20 31-01	D	LEVER	506 38 22-02	C	KNOB
506 20 34-03	A	THROTTLE TRIGGER	506 38 26-01	G	COMBINATION TOOL
506 20 38-01	D	SPRING	506 38 29-01	E	NIPPLE
506 21 59-01	D	VALVE SPINDLE	506 38 33-02	E	WATER BLADE
506 21 60-01	D	VALVE SLEEVE	506 38 49-02	G	LUBRICATION GUN
506 21 80-01	D	VALVE CONE	506 38 97-01	C	PIN
506 21 81-01	D	SPRING	506 39 95-01	B	SEALING
506 21 82-01	D	PLUNGE	506 49 32-01	C	SHAFT
506 21 83-01	D	SPRING	506 49 32-02	B	SHAFT
506 21 85-01	D	VALVE SEAT	506 49 34-01	C	BEARING CAGE
506 23 35-02	D	HOUSING	506 49 34-02	C	BEARING CAGE
506 24 52-03	A	HANDLE HALF LEFT	506 49 87-02	A	HOSE CLAMP
506 24 53-03	A	HANDLE HALF RIGHT	521 91 50-02	B	COVER
506 24 69-06	E	BLADE GUARD	544 07 76-01	C	SLEEVE
506 24 95-01	E	SPRING	544 08 04-02	G	GREASE TUBE
506 25 65-02	D	FLANGE WASHER	544 13 74-01	E	PIN
506 25 68-02	E	SPRAY GUARD	544 21 84-37	D	SCREW
506 25 75-01	E	TORSION SPRING	544 21 84-47	E	SCREW
506 26 22-02	E	WHEEL	544 21 84-55	B	SCREW
506 26 26-01	A	TORSION SPRING	544 87 29-01	A	LABEL
506 27 21-02	A	THROTTLE LOCKOUT	544 87 30-01	A	LABEL
506 27 34-01	D	SEALING COLLAR	544 87 32-01	A	LABEL WARNING
506 29 31-04	A	WATER HOSE KIT	544 88 66-02	D	HYDRAULIC MOTOR
506 29 88-01	A	FILTER	720 12 71-52	A	PIN
506 30 09-01	C	LOCKING BUTTON	720 13 16-06	A	PIN
506 30 11-14	D	SEALING	721 44 06-00	C	PIN
506 30 12-02	D	CAP	725 54 69-05	E	SCREW
506 30 33-01	C	SPACING SLEEVE	729 52 89-71	E	SCREW
506 30 33-02	B	SPACING SLEEVE	732 25 12-01	D	NUT
506 30 34-01	BC	DRIVER	734 48 80-01	E	WASHER
506 30 35-01	C	BUMPER	735 31 08-20	D	E-RING
506 31 22-02	D	DRIVER	735 31 14-00	D	CIRCLIP
506 31 28-01	E	COVER PLATE	735 31 28-10	BC	CIRCLIP
506 31 45-01	E	SPACER TUBE	735 31 31-10	D	CIRCLIP

No.	Pos.	Description	No.	Pos.	Description
735 88 06-00	D	WOODRUFF KEY			
738 22 01-25	D	BALL BEARING			
738 88 10-01	C	LUBRICATION NIPPLE			
740 38 27-01	F	WASHER			
740 38 34-01	F	WASHER			
740 42 03-00	D	O-RING			
740 42 04-00	B	O-RING			
740 43 02-00	D	O-RING			
740 43 03-00	E	O-RING			
740 43 11-00	D	O-RING			
740 48 20-12	C	O-RING			
740 48 25-02	C	O-RING			

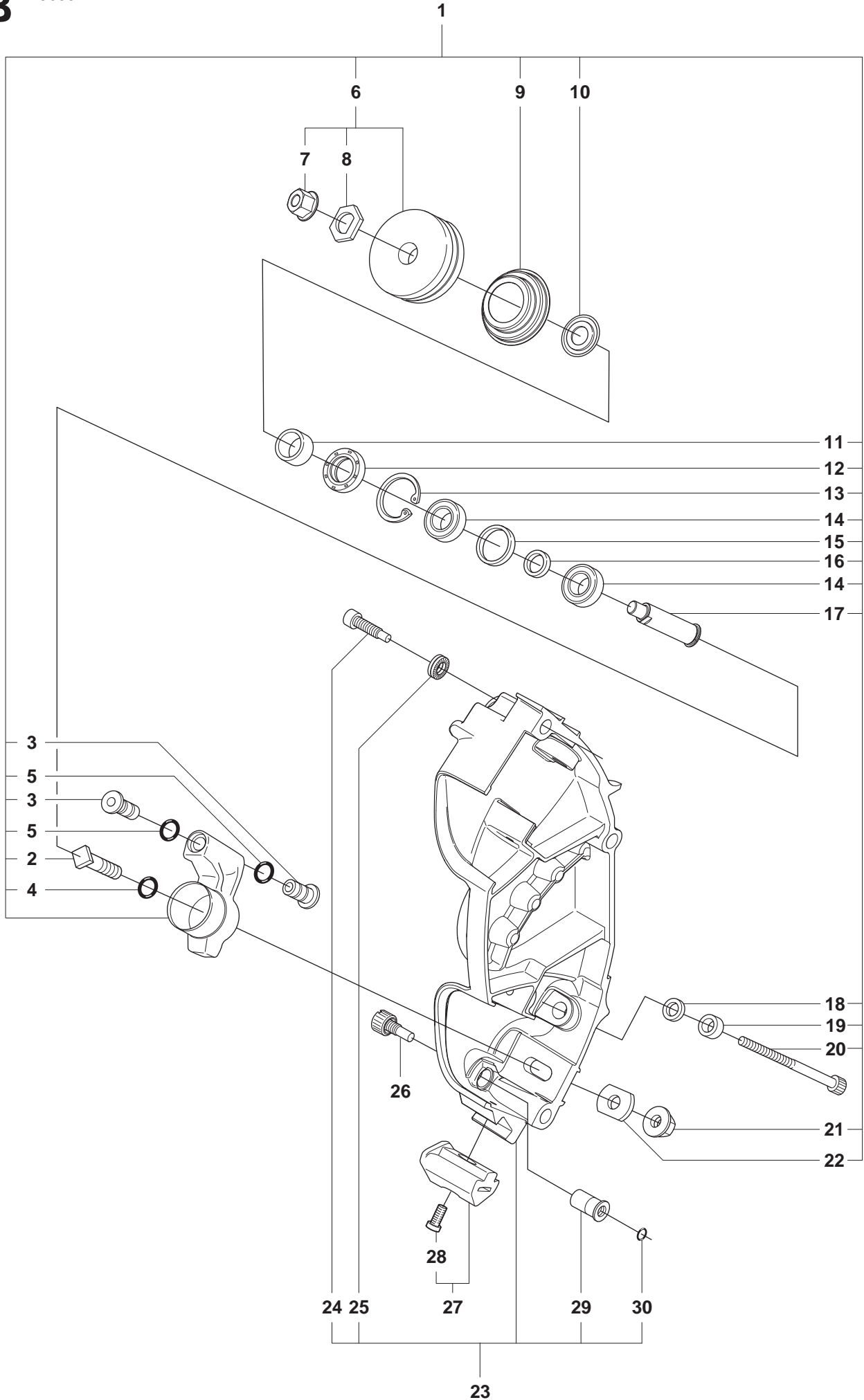
A K3600MkII



Page A
K3600 MkII

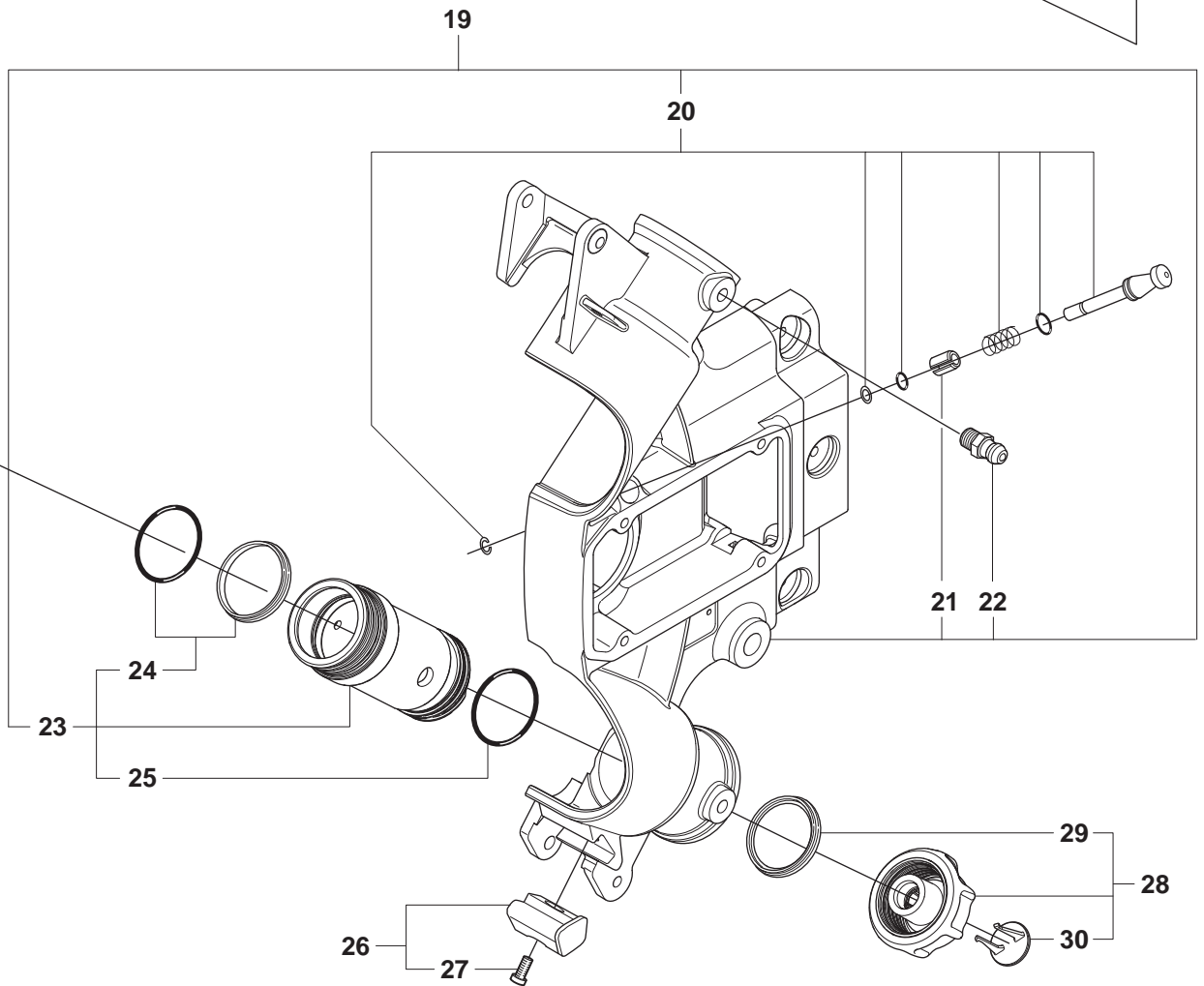
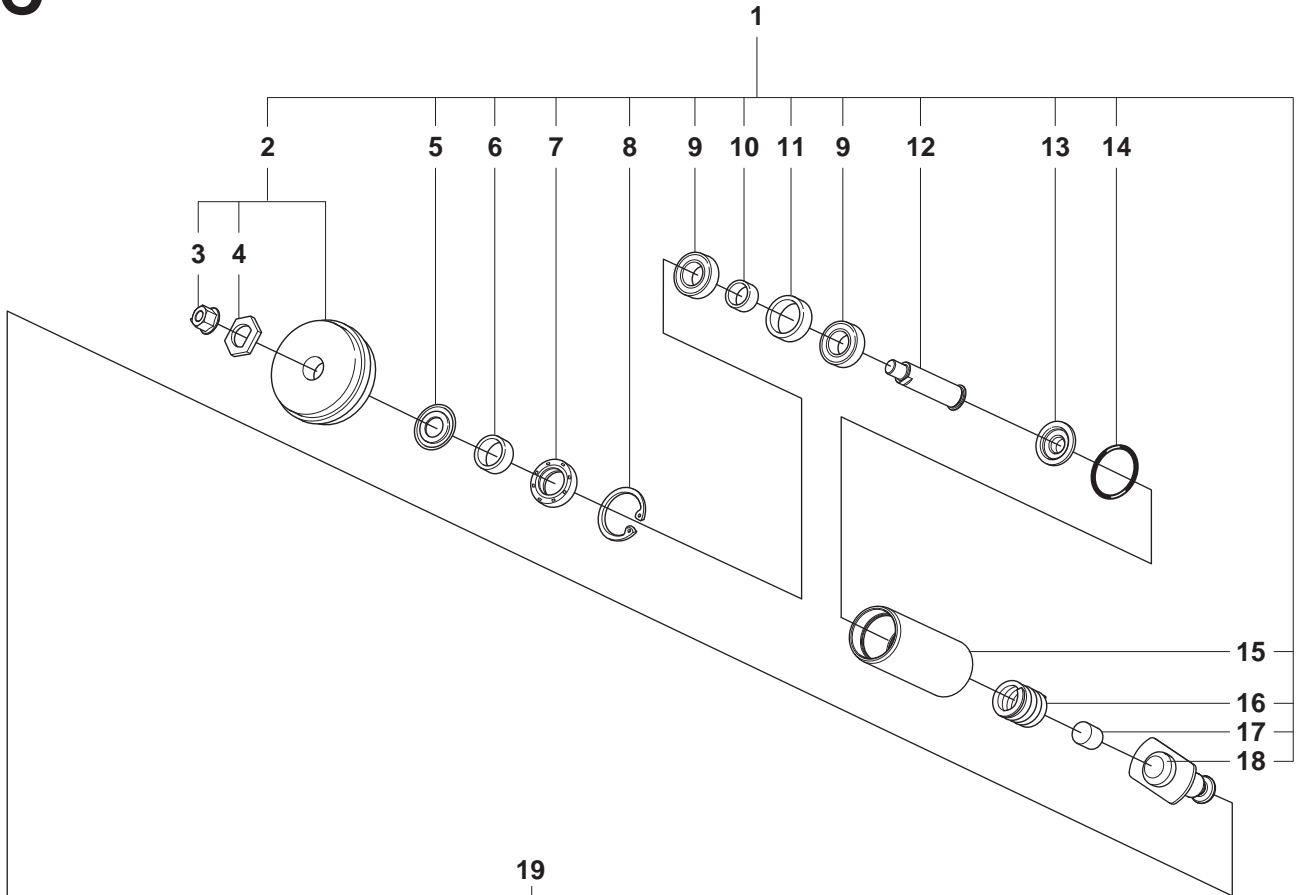
Pos.	Part No.	Description	Quantity	Notes	New Part
1	506 34 94-02	TAP	1		
2	503 21 46-01	SCREW	2		
3	506 49 87-02	HOSE CLAMP	2		New Part
4	506 29 31-04	WATER HOSE KIT	1	Incl. 5 - 7	New Part
5	505 10 35-01	O-RING	1		New Part
6	506 29 88-01	FILTER	1		
7	503 26 60-03	COUPLER	1	USA	
7	503 26 60-04	COUPLER	1		
8	506 37 76-02	THROTTLE TRIGGER	1	Incl. 9 - 12	
9	720 12 71-52	PIN	1		
10	506 20 34-03	THROTTLE TRIGGER	1		
11	506 31 63-01	PLATE	1		
12	506 27 21-02	THROTTLE LOCKOUT	1		
13	506 35 54-03	WINDOW	1		
14	506 24 52-03	HANDLE HALF LEFT	1		
15	544 87 32-01	LABEL WARNING	1		
16	503 21 53-16	SCREW	4		New Part
17	503 21 53-26	SCREW	1		New Part
18	506 24 53-03	HANDLE HALF RIGHT	1		
19	503 21 53-41	SCREW	1		New Part
20	506 26 26-01	TORSION SPRING	1		
21	720 13 16-06	PIN	2		
22	503 21 53-12	SCREW	3		New Part
23	544 87 29-01	LABEL	1		
24	544 87 30-01	LABEL	1		

B K3600MkII



Page B
K3600 MkII

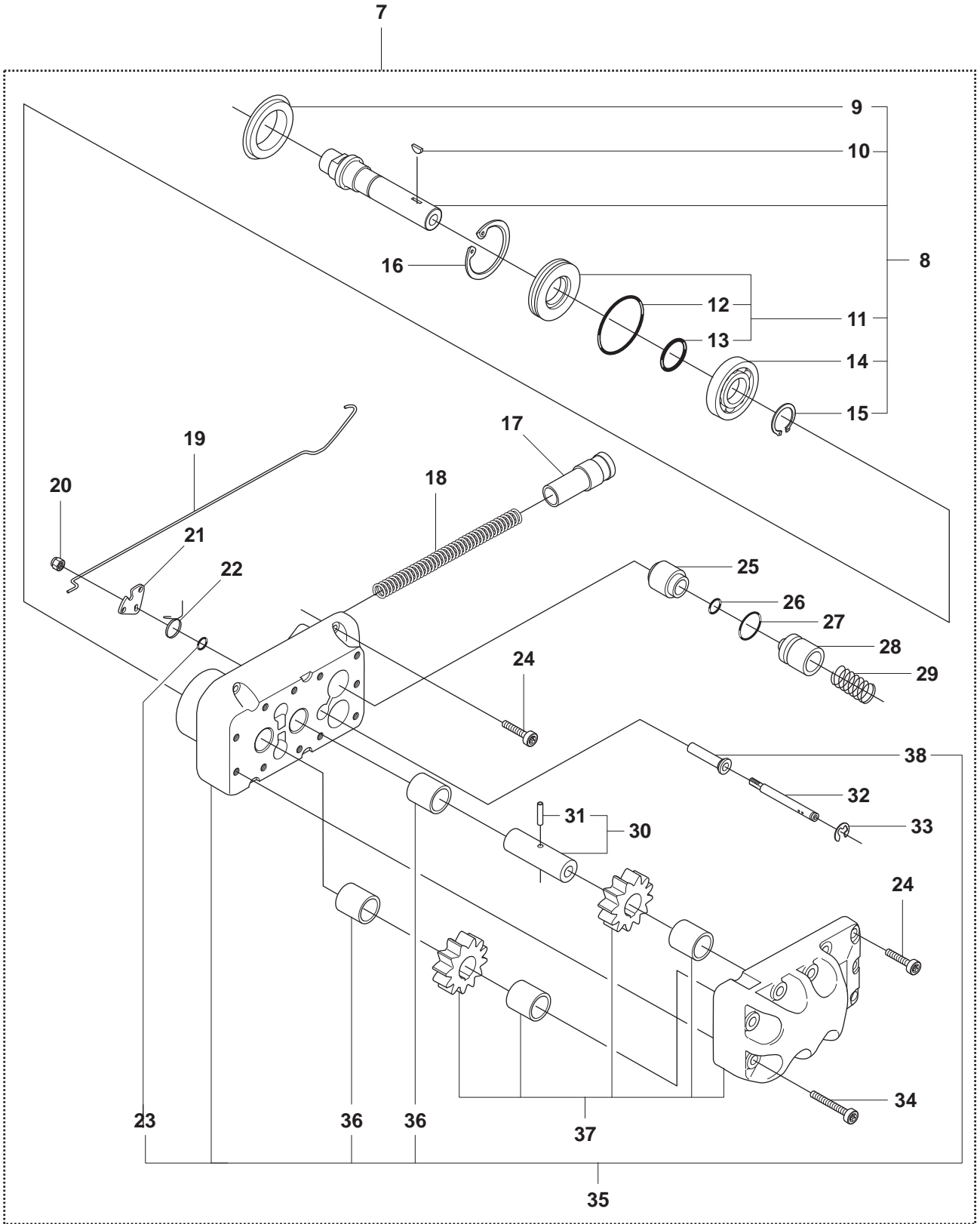
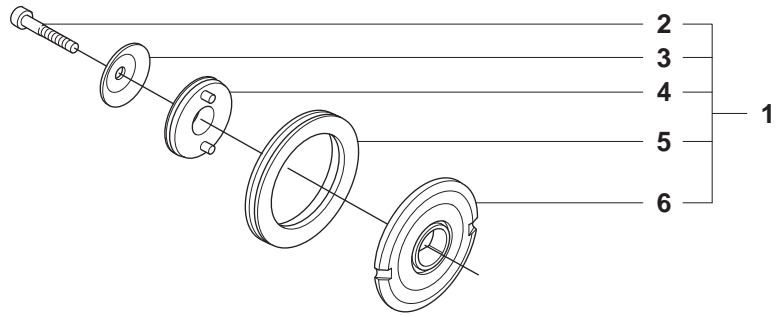
Pos.	Part No.	Description	Quantity	Notes	New Part
1	506 35 18-07	LEVER ASSY	2	Incl. 2 - 6, 9 - 22	New Part
2	506 34 64-01	SCREW	1		
3	506 33 49-03	SPACER TUBE	2		
4	503 26 30-08	O-RING	1		
5	503 26 30-26	O-RING	2		
6	506 35 21-03	SUPPORT ROLLER	1	Incl. 7, 8	New Part
7	503 22 04-01	NUT	1		New Part
8	506 30 34-01	DRIVER	1		
9	506 39 95-01	SEALING	1		
10	506 32 17-01	WASHER	1		
11	506 37 93-02	SPACING SLEEVE	1		
12	503 26 20-01	SEALING RING	1		
13	735 31 28-10	CIRCLIP	1		
14	503 25 24-01	BALL BEARING	2		
15	506 31 68-02	SPACING SLEEVE	1		
16	506 30 33-02	SPACING SLEEVE	1		
17	506 49 32-02	SHAFT	1		New Part
18	506 37 63-01	SPACER	1		
19	506 37 64-01	RUBBER BUSHING	1		
20	544 21 84-55	SCREW	1		New Part
21	503 22 00-01	NUT FLANGE	1		
22	506 34 63-01	WASHER	1		
23	521 91 50-02	COVER	1	Incl. 24 - 25, 29 - 30	New Part
24	503 20 54-35	SCREW	3		
25	503 23 04-03	WASHER	3		
26	505 57 49-01	ADJUSTING SCREW	2		
27	506 35 19-03	WEAR PROTECTION	1	Incl. 28	New Part
28	505 57 41-16	SCREW	1		New Part
29	506 33 08-01	THREAD BUSHING	2		
30	740 42 04-00	O-RING	2		



Page C
K3600 MkII

Pos.	Part No.	Description	Quantity	Notes	New Part
1	506 49 34-01	BEARING CAGE	2	Incl. 2, 5 - 18	New Part
1	506 49 34-02	BEARING CAGE	2	Incl. 2, 5 - 18. Double groove	New Part
2	506 35 20-05	GUIDE ROLLER	1	Incl. 3, 4	New Part
2	506 35 20-06	GUIDE ROLLER	1	Incl. 3, 4. Double groove	New Part
3	503 22 04-01	NUT	1		New Part
4	506 30 34-01	DRIVER	1		
5	506 31 69-01	DUST COVER	1		
6	506 37 93-02	SPACING SLEEVE	1		
7	503 26 20-01	SEALING RING	1		
8	735 31 28-10	CIRCLIP	1		
9	503 25 24-01	BALL BEARING	2		
10	506 30 33-01	SPACING SLEEVE	1		
11	506 31 68-01	SPACING SLEEVE	1		
12	506 49 32-01	SHAFT	1		New Part
13	506 38 11-01	CAP	1		
14	740 48 20-12	O-RING	1		
15	506 38 09-01	BEARING CAGE	1		
16	506 34 76-01	COMPRESSION SPRING	1		
17	506 30 35-01	BUMPER	1		
18	506 38 97-01	PIN	1		
19	506 36 83-06	CHASSIS	1	Incl. 20 - 23	
20	506 30 09-01	LOCKING BUTTON	1		
21	721 44 06-00	PIN	1		
22	738 88 10-01	LUBRICATION NIPPLE	2		
23	544 07 76-01	SLEEVE	2	Incl. 24 - 25	
24	506 34 39-01	WIPER	2		
25	740 48 25-02	O-RING	2		
26	506 35 19-03	WEAR PROTECTION	1	Incl. 27	New Part
27	505 57 41-16	SCREW	1		New Part
28	506 38 22-02	KNOB	1	Incl. 29 - 30	
29	506 33 65-01	SEALING RING	1		
30	506 38 21-02	CAP	1		New Part

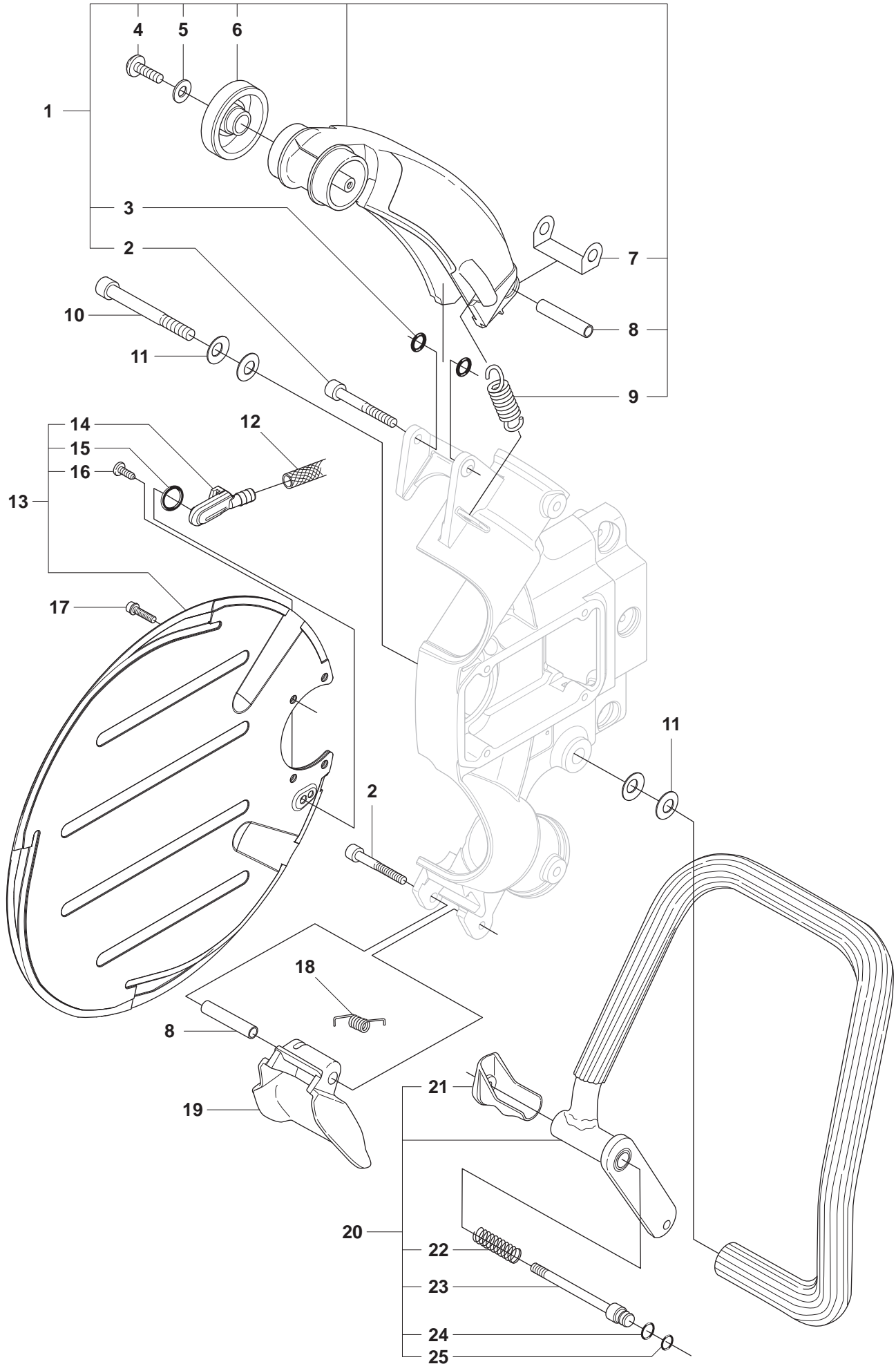
D K3600MkII



Page D
K3600 MkII

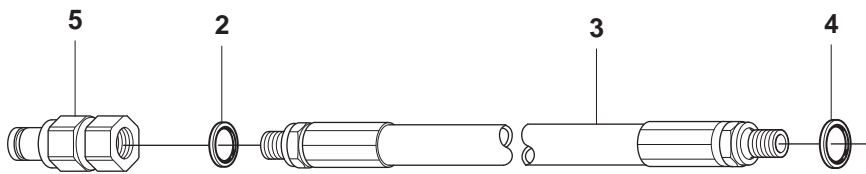
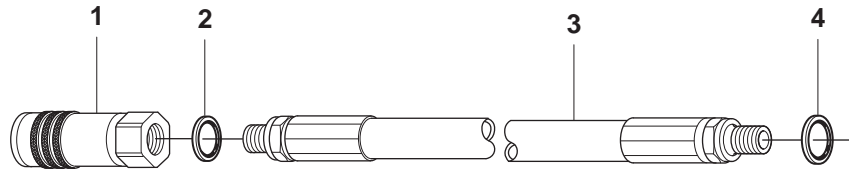
Pos.	Part No.	Description	Quantity	Notes	New Part
1	506 32 08-04	GEAR WHEEL ASSY	1	Incl. 2 - 6	New Part
2	544 21 84-37	SCREW	1		New Part
3	506 13 95-12	WASHER	1		
4	506 31 22-02	DRIVER	1		New Part
5	506 17 83-04	GEAR WHEEL	1		New Part
6	506 25 65-02	FLANGE WASHER	1		
7	544 88 66-02	HYDRAULIC MOTOR	1	Incl. 8, 16 - 30, 32 - 35, 37	New Part
8	506 34 67-14	KIT	1	Incl. 9 - 11, 14 - 15	New Part
9	506 27 34-01	SEALING COLLAR	1		
10	735 88 06-00	WOODRUFF KEY	1		
11	506 30 11-14	SEALING	1	Incl. 12 - 13	
12	506 11 03-01	O-RING	1		
13	503 26 30-28	O-RING	1		
14	738 22 01-25	BALL BEARING	1		
15	735 31 14-00	CIRCLIP	1		
16	735 31 31-10	CIRCLIP	1		
17	506 21 82-01	PLUNGE	1		
18	506 21 83-01	SPRING	1		
19	506 35 95-01	THROTTLE ROD	1		
20	732 25 12-01	NUT	1		
21	506 20 31-01	LEVER	1		
22	506 20 38-01	SPRING	1		
23	740 43 02-00	O-RING	1		
24	503 21 53-20	SCREW	9		New Part
25	506 21 85-01	VALVE SEAT	1		
26	740 42 03-00	O-RING	1		
27	740 43 11-00	O-RING	1		
28	506 21 80-01	VALVE CONE	1		
29	506 21 81-01	SPRING	1		
30	506 32 00-01	SHAFT	1	Incl. 31	
31	503 24 07-01	PIN	1		
32	506 21 59-01	VALVE SPINDLE	1		
33	735 31 08-20	E-RING	1		
34	503 21 53-30	SCREW	6		New Part
35	506 23 35-02	HOUSING	1	Incl. 36, 37	
36	506 11 05-01	BEARING	4		
37	506 30 12-02	CAP	1		New Part
38	506 21 60-01	VALVE SLEEVE	1		
31	503 24 07-01	PIN	1		
32	506 21 59-01	VALVE SPINDLE	1		
33	735 31 08-20	E-RING	1		
34	503 21 53-30	SCREW	6		New Part
35	506 23 35-02	HOUSING	1	Incl. 23, 36, 38	
36	506 11 05-01	BEARING	4		
37	506 30 12-02	CAP	1		New Part
38	506 21 60-01	VALVE SLEEVE	1		

E K3600MkII



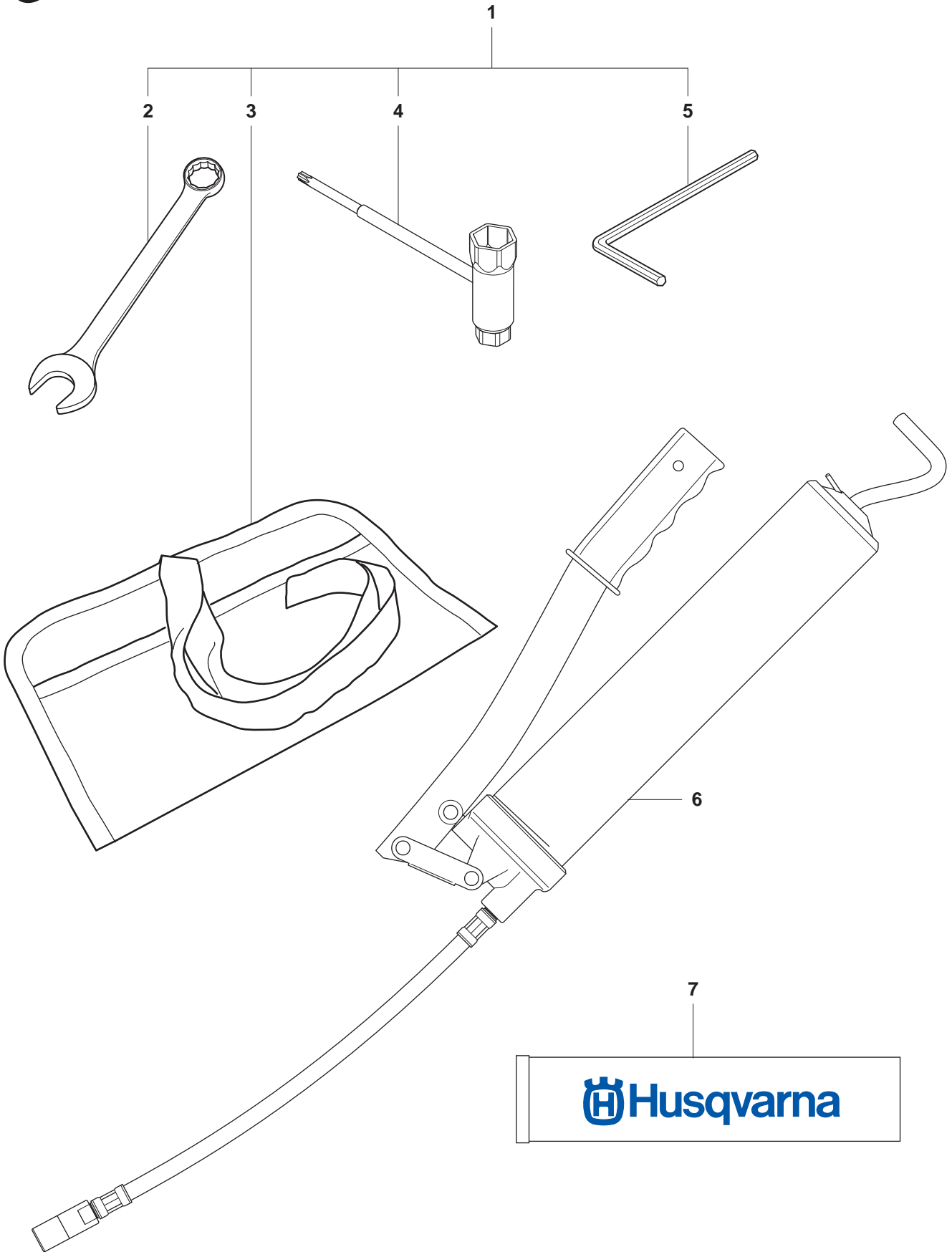
Page E
K3600 MkII

Pos.	Part No.	Description	Quantity	Notes	New Part
1	506 24 69-06	BLADE GUARD	1	Incl. 2 - 9	New Part
2	544 21 84-47	SCREW	2		New Part
3	503 26 30-25	O-RING	2		
4	503 21 46-01	SCREW	2		
5	734 48 80-01	WASHER	2		
6	506 26 22-02	WHEEL	2		
7	506 31 28-01	COVER PLATE	1		
8	506 31 45-01	SPACER TUBE	1		
9	504 11 67-01	SPRING	1		New Part
10	725 54 69-05	SCREW	1		
11	506 10 55-01	CUP SPRING	4		
12	501 98 65-01	HOSE	1		New Part
13	506 38 33-02	WATER BLADE	1	Incl. 14 - 16	
14	506 38 29-01	NIPPLE	1		
15	505 10 35-01	O-RING	1		New Part
16	729 52 89-71	SCREW	1		
17	505 57 41-16	SCREW	4		New Part
18	506 25 75-01	TORSION SPRING	1		
19	506 25 68-02	SPRAY GUARD	1		
20	506 35 72-04	HANDLE ASSY	1	Incl. 21 - 25	
21	506 35 73-02	GRIP	1		
22	506 24 95-01	SPRING	1		
23	544 13 74-01	PIN	1		
24	503 26 30-22	O-RING	1		
25	740 43 03-00	O-RING	1		



Page F
K3600 MkII

Pos.	Part No.	Description	Quantity	Notes	New Part
1	506 10 96-21	QUICK COUPLING	1	Female	
2	740 38 34-01	WASHER	2		
3	506 10 95-02	HYDRAULIC HOSE	2		
4	740 38 27-01	WASHER	2		
5	506 10 98-21	QUICK COUPLING	1	Male	New Part



Page G
K3600 MkII

Pos.	Part No.	Description	Quantity	Notes	New Part
1	506 36 38-04	TOOL KIT	1	Incl. 2 - 5	New Part
2	506 35 52-01	SPANNER	1	19mm	
3	501 19 22-01	TOOL CASING	1		
4	506 38 26-01	COMBINATION TOOL	1	13-19mm	New Part
5	506 36 36-01	ALLEN KEY	1	6mm	
6	506 38 49-02	LUBRICATION GUN	1		
7	544 08 04-02	GREASE TUBE	1		