

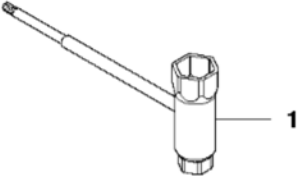


SPARE PARTS LIST

POWER CUTTERS

K2500, 2010-10

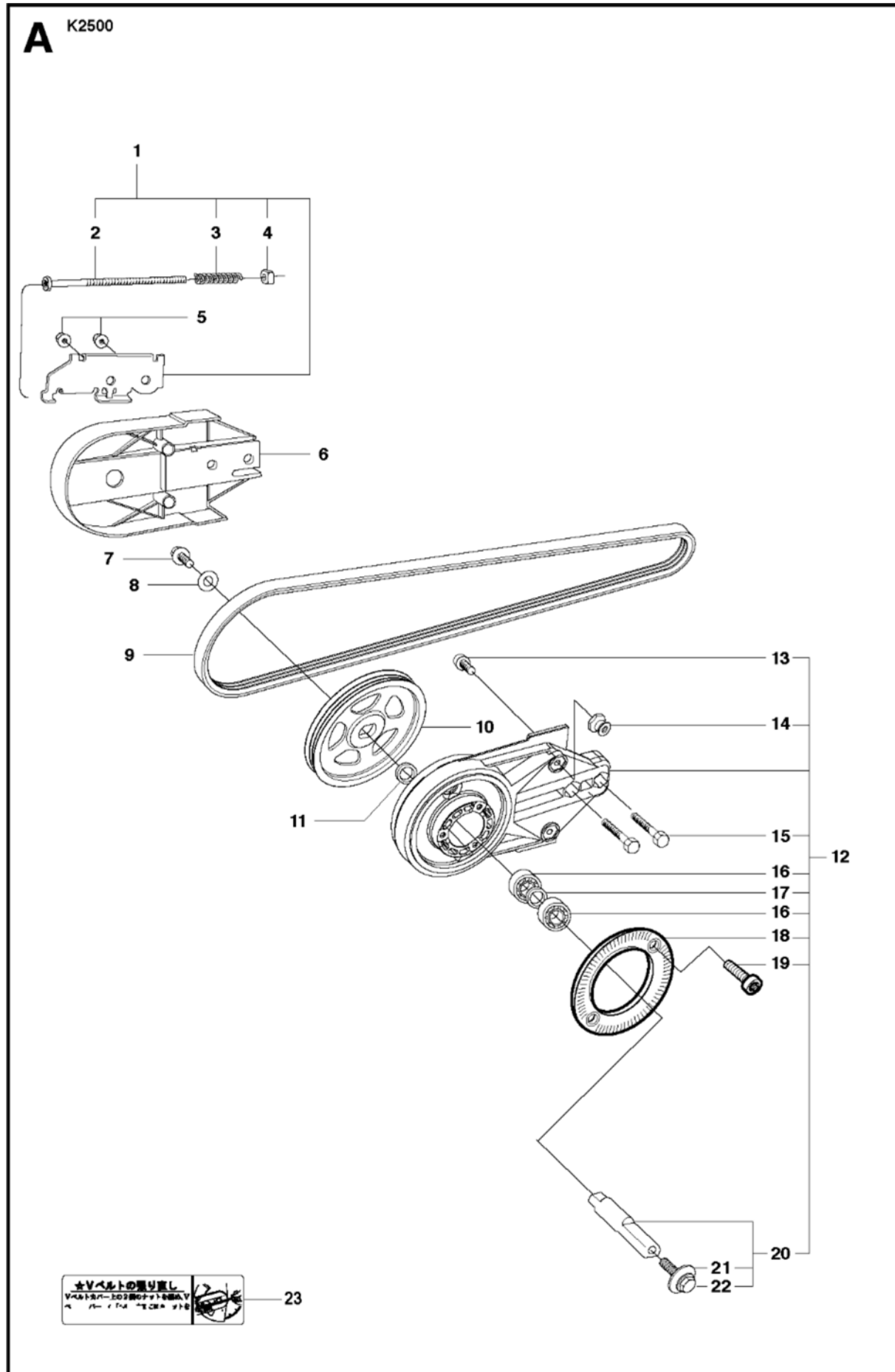
G K2500
Accessories
Zubehöre
Accessoires
Acessorios
Tillbehör



ACCESSORIES

K2500, 2010-10

| Ref | Part no. | Description | Remark | Qty | Kit |
|-----|--------------|------------------|--------|-----|-----|
| 1 | 506 38 26-01 | COMBINATION TOOL | | | |

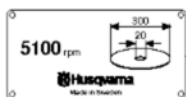
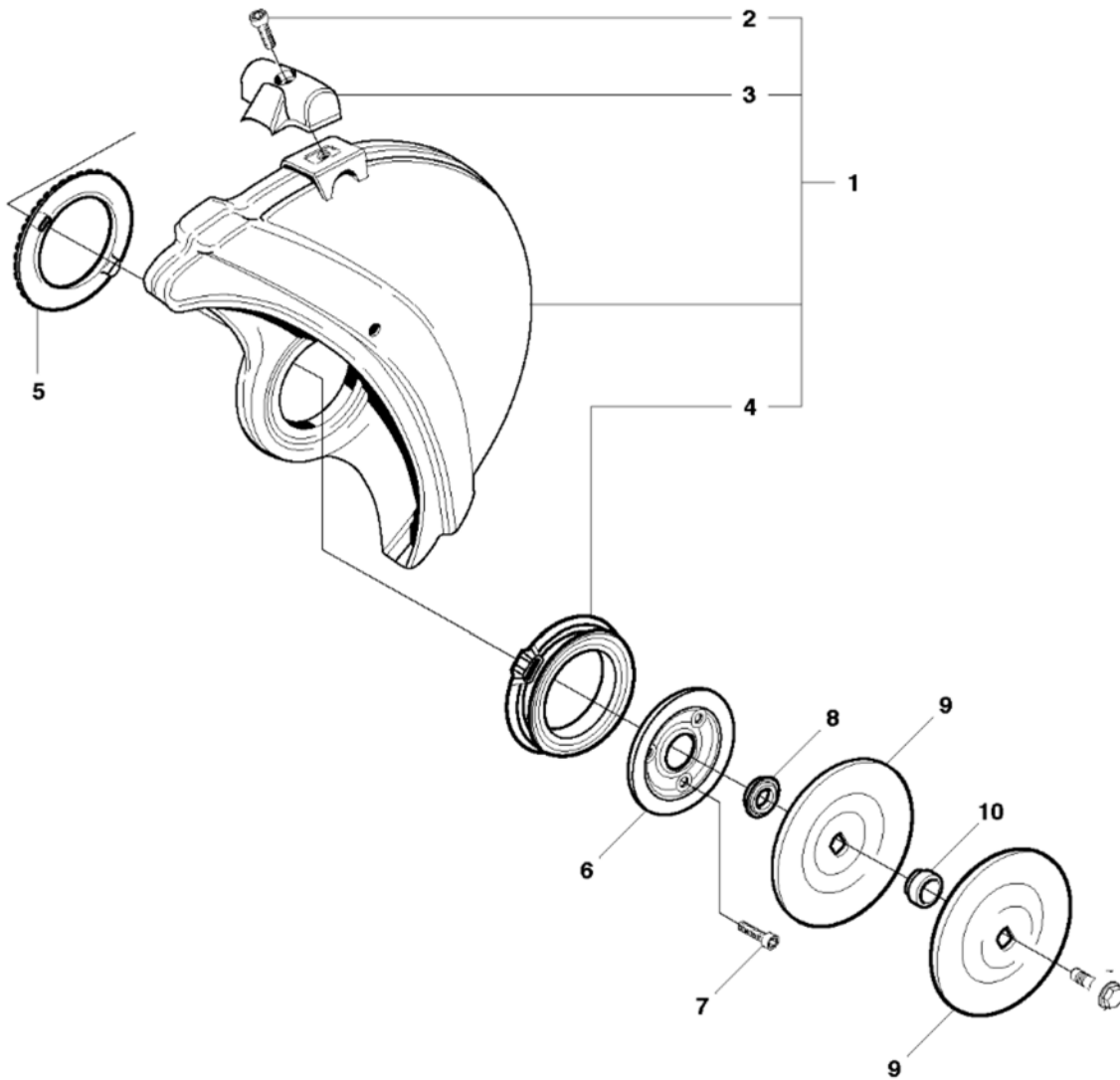


BELT GUARD & PULLEY

K2500, 2010-10

| Ref | Part no. | Description | Remark | Qty | Kit |
|-----|--------------|----------------------|--------------------------|-----|-----|
| 1 | 506 03 06-03 | BELT TENSIONER ASSY | Incl. 2 - 4 (New Part) | 1 | |
| 2 | 503 20 72-20 | SCREW CITXSCM | New Part | 1 | |
| 3 | 506 21 95-01 | COMPRESSION SPRING | | 1 | |
| 4 | 503 22 66-01 | SQUARE NUT | | 1 | |
| 5 | 503 22 00-01 | HEXAGON NUT FLANGE | | 2 | |
| 6 | 506 09 87-02 | BELT GUARD | | 1 | |
| 7 | 503 20 00-45 | SCREW EHHFM | | 1 | |
| 8 | 503 23 01-16 | WASHER | | 1 | |
| 9 | 544 97 63-03 | BELT | | 1 | |
| 10 | 544 98 50-01 | PULLEY | | 1 | |
| 11 | 503 23 01-04 | WASHER | | 1 | |
| 12 | 506 41 34-04 | BEARING HOUSING ASSY | Incl. 13 - 20 (New Part) | 1 | |
| 13 | 505 57 41-16 | SCREW ITXSCM | New Part | 1 | |
| 14 | 506 14 32-01 | TORSION STOP | New Part | 1 | |
| 15 | 506 03 32-02 | SCREW | | 2 | |
| 16 | 503 25 21-01 | BALL BEARING | | 2 | |
| 17 | 506 20 18-01 | SPACING SLEEVE | | 1 | |
| 18 | 506 28 84-01 | SCREEN PATTERN FLANG | | 1 | |
| 19 | 503 21 53-10 | SCREW ITXSCM | New Part | 2 | |
| 20 | 506 29 83-71 | SHAFT | Incl. 21 - 22 | 1 | |
| 21 | 506 13 95-11 | WASHER | | 1 | |
| 22 | 506 13 96-01 | SCREW EHHFM | | 1 | |
| 23 | 506 30 97-05 | LABEL | Japan only (New Part) | 1 | |

B K2500



11

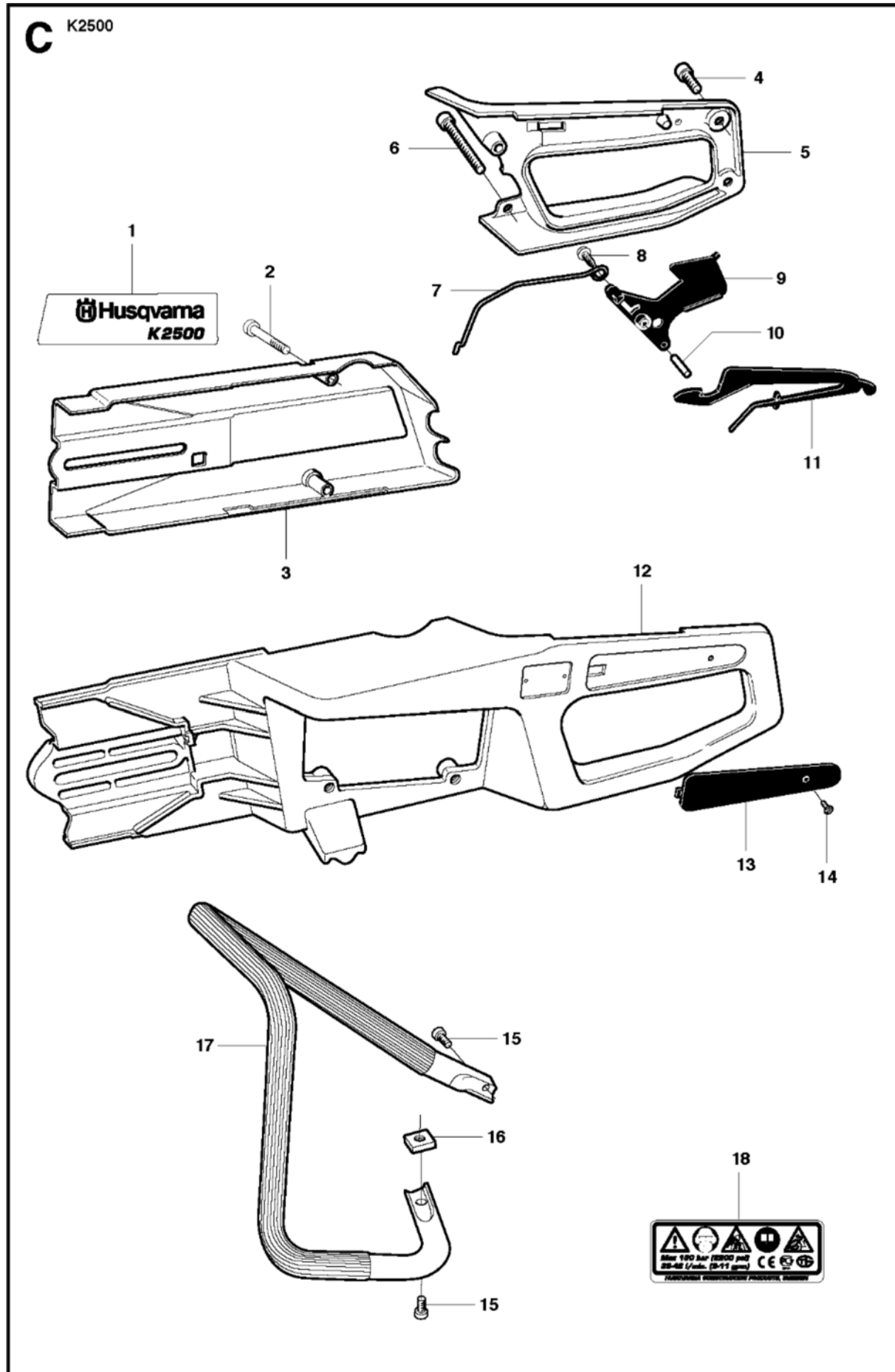
△ 取扱い上の注意 △
 ハスクバーナカッターは、取扱いを誤ると危害を及ぼすことが
 あります。安全作業のために取扱い手順に必ず従ってください。
 ・CEマークはカッターと、その付属品、このマニュアル、安全取扱い手順書、点検書、
 説明書にて取付けて下さい。
 ・正しく使用しない、又はカッター用として使用された部品又は部品を修理する、
 修理しなかったり、修理後、カッターに使用しないことして下さい。
 ・正しく使用しない、修理後、安全作業書、点検書、説明書の等、取扱い下さい。
 ・修理後、作業開始前必ず確認して下さい。
 ・カッターは、必ず安全作業に使用するようにして下さい。
 ・修理後、カッターは、必ず安全作業に使用するようにして下さい。
 ・修理後、カッターは、必ず安全作業に使用するようにして下さい。
 ・修理後、カッターは、必ず安全作業に使用するようにして下さい。
 ・本マニュアルは、必ず安全作業に使用するようにして下さい。
 取扱いマニュアル 400 X 6.0 (mm)
 安全作業書 20 m/500 Husqarna

12

BELT GUARD & PULLEY

K2500, 2010-10

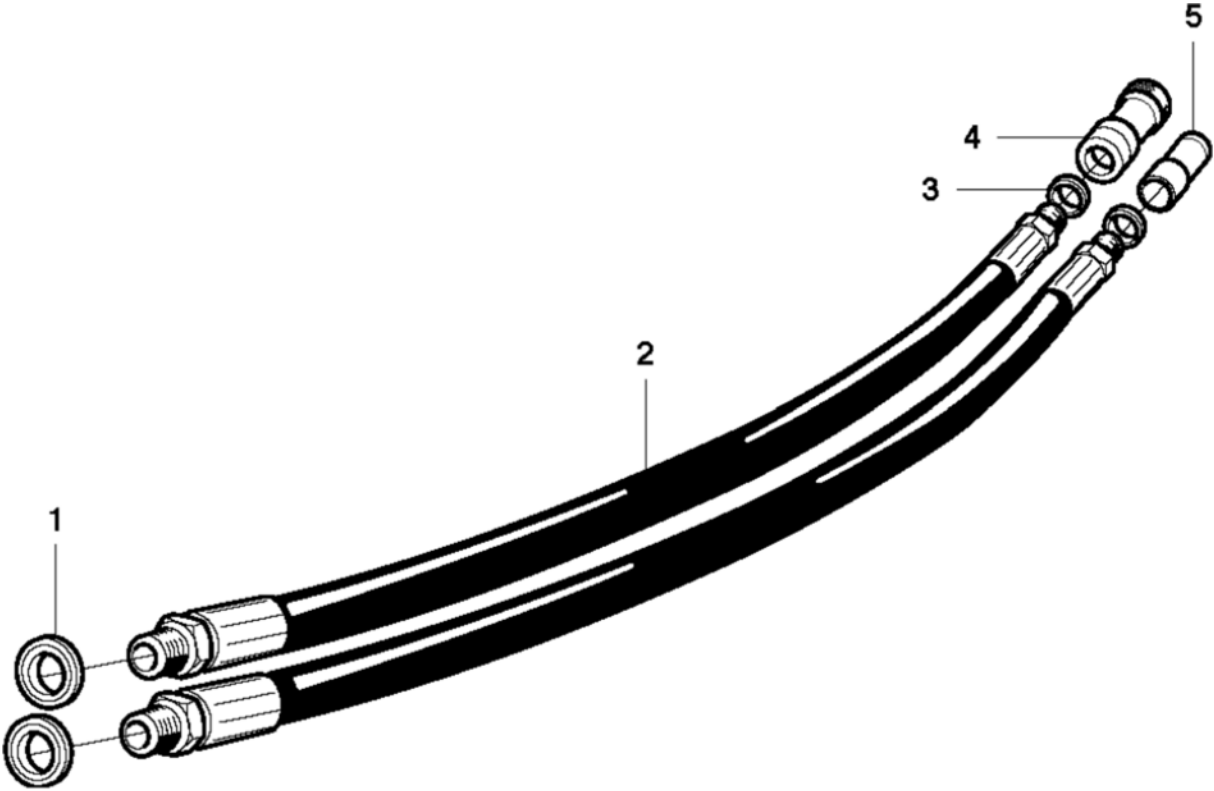
| Ref | Part no. | Description | Remark | Qty | Kit |
|-----|--------------|----------------------|------------------------------|-----|-----|
| 1 | 506 34 05-46 | WHEEL GUARD ASSY | Incl. 2 - 4 | 1 | |
| 2 | 503 21 53-20 | SCREW ITXSCM | | 1 | |
| 3 | 506 34 46-02 | HANDLE | | 1 | |
| 4 | 506 26 63-02 | LINING | | 1 | |
| 5 | 506 26 64-01 | SCREEN PATTERN FLANG | | 1 | |
| 6 | 506 26 65-01 | FLANGE | | 1 | |
| 7 | 505 57 41-16 | SCREW ITXSCM | New Part | 3 | |
| 8 | 506 32 48-01 | SUPPORT FLANGE | | 1 | |
| 9 | 506 02 87-01 | FLANGE WASHER | Diam 105mm | 1 | |
| 9 | 506 07 09-01 | FLANGE WASHER | Diam 119mm | 1 | |
| 10 | 506 37 96-20 | KIT | Diam 20mm | 1 | |
| 10 | 506 37 96-22 | KIT | Diam 22,2mm | 1 | |
| 10 | 506 37 96-25 | KIT | Diam 25,4mm | 1 | |
| 10 | 506 02 88-30 | BUSHING | Diam 30,5mm | 1 | |
| 11 | 506 28 41-22 | LABEL | Diam 20mm | 1 | |
| 11 | 506 28 41-24 | LABEL | Diam 25,4mm | 1 | |
| 12 | 576 12 10-03 | DECAL | "16", Japan only (New Part)" | 1 | |



CHASSIS / FRAME

K2500, 2010-10

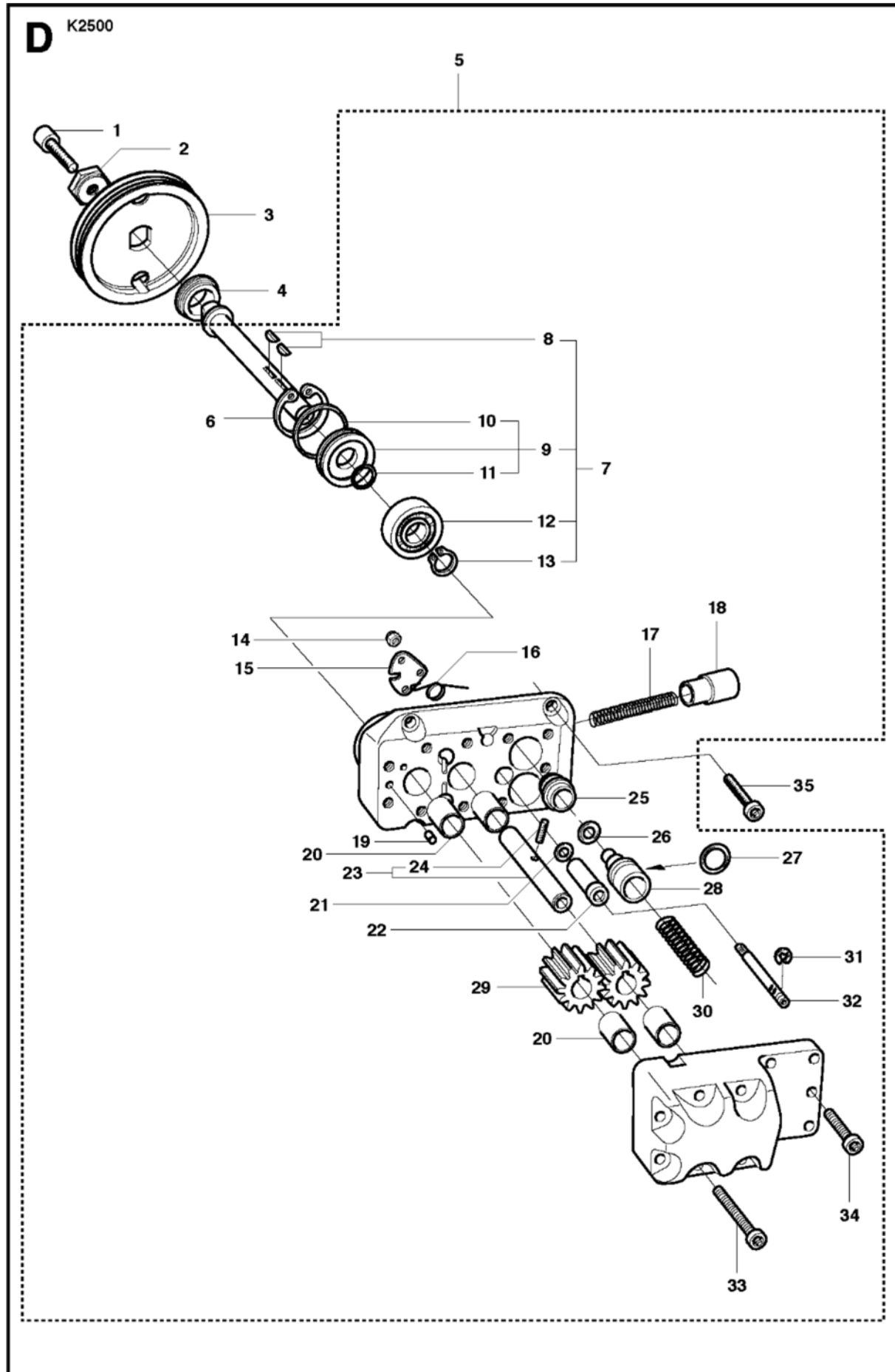
| Ref | Part no. | Description | Remark | Qty | Kit |
|-----|--------------|------------------|----------|-----|-----|
| 1 | 544 87 27-01 | LABEL | | 1 | |
| 2 | 503 21 53-41 | SCREW ITXSCM | New Part | 2 | |
| 3 | 506 20 28-02 | BELT GUARD | | 1 | |
| 4 | 505 57 41-16 | SCREW ITXSCM | New Part | 2 | |
| 5 | 506 20 16-02 | HANDLE HALF | | 1 | |
| 6 | 503 21 53-49 | SCREW ITXSCM | New Part | 1 | |
| 7 | 506 20 33-02 | THROTTLE ROD | | 1 | |
| 8 | 503 21 28-10 | SCREW CCRPANT | | 1 | |
| 9 | 506 20 34-03 | THROTTLE TRIGGER | | 1 | |
| 10 | 720 13 10-00 | PARALLEL PIN | | 1 | |
| 11 | 506 01 45-06 | THROTTLE LOCKOUT | | 1 | |
| 12 | 506 20 36-02 | CHASSIS | | 1 | |
| 13 | 501 62 89-09 | HANDLE INSERT | | 2 | |
| 14 | 724 32 19-05 | SCREW | | 2 | |
| 15 | 503 21 53-16 | SCREW ITXSCM | New Part | 2 | |
| 16 | 503 22 65-04 | SQUARE NUT | | 1 | |
| 17 | 506 20 29-03 | FRONT HANDLE | | 1 | |
| 18 | 544 87 32-01 | DECAL | New Part | 1 | |



HOSE

K2500, 2010-10

| Ref | Part no. | Description | Remark | Qty | Kit |
|-----|--------------|----------------|--------|-----|-----|
| 1 | 740 38 27-01 | SEALING WASHER | | 2 | |
| 2 | 506 10 95-02 | HYDRAULIC HOSE | | 2 | |
| 3 | 740 38 34-01 | SEALING WASHER | | 2 | |
| 4 | 506 10 96-21 | QUICK COUPLING | | 1 | |
| 5 | 506 10 98-21 | QUICK COUPLING | | 1 | |



HYDRAULIC PUMP - MOTOR

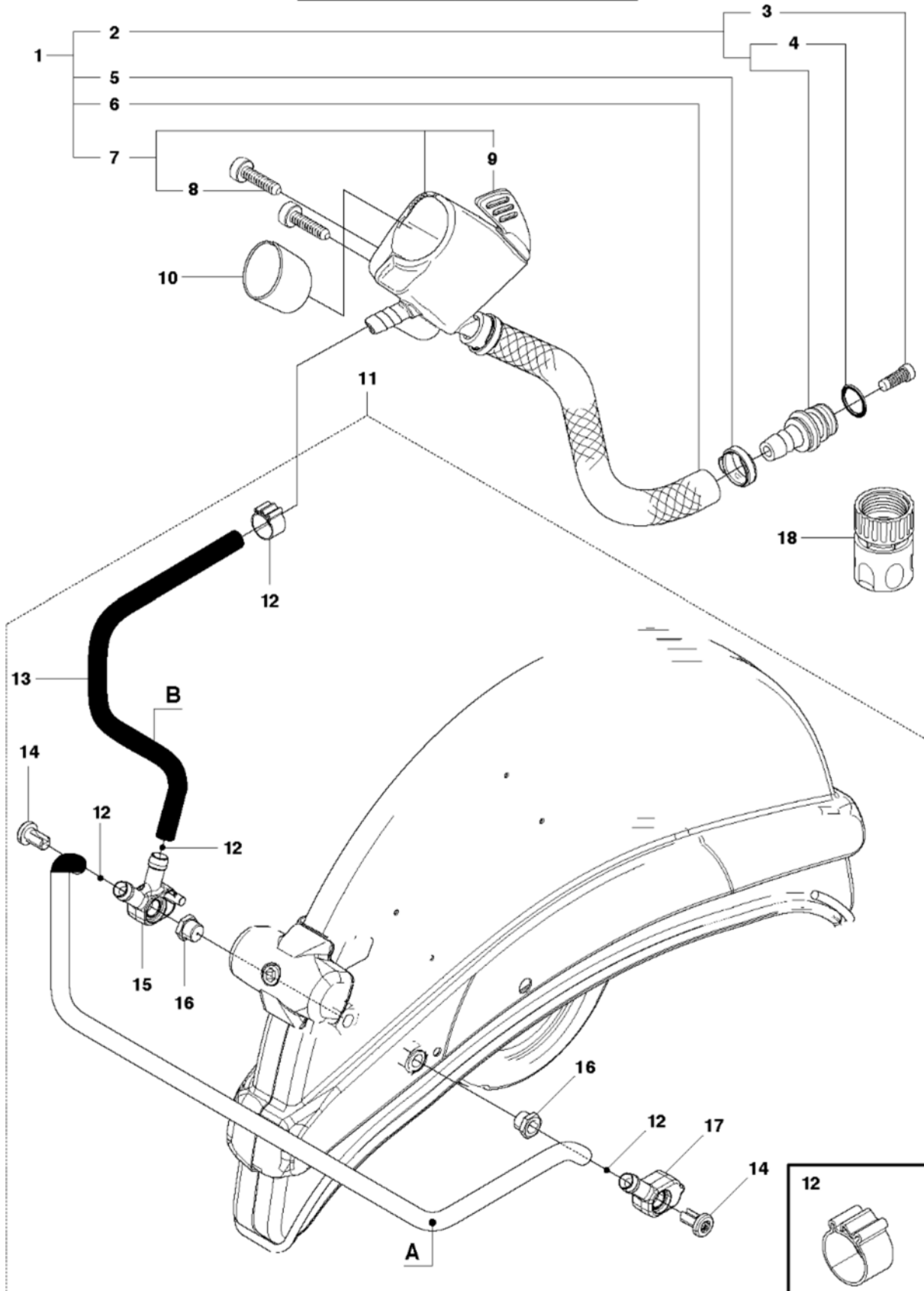
K2500, 2010-10

| Ref | Part no. | Description | Remark | Qty | Kit |
|-----|--------------|---------------------|----------|-----|---------|
| 1 | 544 21 84-30 | SCREW ITXSCM | New Part | 1 | |
| 2 | 504 03 83-01 | SPACING SLEEVE | New Part | 1 | |
| 3 | 544 98 09-01 | PULLEY | | 1 | |
| 4 | 506 20 27-02 | SUPPORT FLANGE | | 1 | |
| 5 | 544 88 66-12 | HYDRAULIC MOTOR | | 1 | |
| 6 | 735 31 31-10 | CIRCLIP | | 1 | 5 |
| 7 | 506 34 67-15 | KIT | | 1 | 5 |
| 8 | 735 88 06-00 | WOODRUFF KEY | | 2 | 5, 7 |
| 9 | 506 30 11-14 | SEALING | | 1 | 5, 7 |
| 10 | 506 11 03-01 | O-RING | | 1 | 5, 7, 9 |
| 11 | 503 26 30-28 | O-RING | | 1 | 5, 7, 9 |
| 12 | 738 22 01-25 | BALL BEARING | | 1 | 5, 7 |
| 13 | 735 31 14-00 | CIRCLIP | | 1 | 5, 7 |
| 14 | 732 25 12-01 | HEXAGON LOCKING NUT | | 1 | 5 |
| 15 | 506 20 31-01 | LEVER | | 1 | 5 |
| 16 | 506 20 38-01 | SPRING | | 1 | 5 |
| 17 | 506 21 83-01 | SPRING | | 1 | 5 |
| 18 | 506 21 82-01 | PLUNGE | | 1 | 5 |
| 19 | 501 27 08-01 | GUIDE BUSHING | | 1 | 5 |
| 20 | 506 11 05-01 | BEARING | | 4 | 5 |
| 21 | 740 43 02-00 | O-RING | | 1 | 5 |
| 22 | 506 21 60-01 | VALVE SLEEVE | | 1 | 5 |
| 23 | 506 32 00-02 | SHAFT | | 1 | 5 |
| 24 | 503 24 07-01 | PARALLEL PIN | | 1 | 5, 23 |
| 25 | 506 21 85-01 | VALVE SEAT | | 1 | 5 |
| 26 | 740 42 03-00 | O-RING | | 1 | 5 |
| 27 | 740 43 11-00 | O-RING | | 1 | 5 |
| 28 | 506 21 80-01 | VALVE CONE | | 1 | 5 |
| 29 | 506 22 96-09 | GEAR WHEEL | | 2 | 5 |
| 30 | 506 21 81-01 | SPRING | | 1 | 5 |
| 31 | 735 31 08-20 | E-CLIP | | 1 | 5 |
| 32 | 506 21 59-01 | VALVE SPINDLE | | 1 | 5 |
| 33 | 503 21 53-45 | SCREW ITXSCM | New Part | 6 | 5 |
| 34 | 503 21 53-21 | SCREW ITXSCM | New Part | 5 | 5 |
| 35 | 503 21 53-20 | SCREW ITXSCM | New Part | 4 | |

F K2500



| | A (mm) | B (mm) |
|-------|--------|--------|
| K2500 | 230 | 320 |



WATER HOSE KIT

K2500, 2010-10

| Ref | Part no. | Description | Remark | Qty | Kit |
|-----|--------------|---------------|---------------------------|-----|-----|
| 1 | 505 09 55-01 | HOSE KIT | | 1 | |
| 2 | 506 29 57-02 | NIPPLE | Incl. 2, 5 - 7 (New Part) | 1 | |
| 3 | 506 29 88-01 | FILTER | Incl. 3, 4 | 1 | |
| 4 | 505 10 35-01 | O-RING | | 1 | |
| 5 | 506 49 87-02 | HOSE CLAMP | | 2 | |
| 6 | 506 60 75-01 | HOSE | | 1 | |
| 7 | 506 38 60-12 | VALVE ASSY | Incl. 8 | 1 | |
| 8 | 503 21 54-20 | SCREW ITXSCT | New Part | 2 | |
| 9 | 505 52 42-01 | VALVE SPINDLE | New Part | 1 | |
| 10 | 544 92 68-01 | INTERLAYER | New Part | 1 | |
| 11 | 505 09 54-01 | HOSE KIT | Incl. 11 - 16 | 1 | |
| 12 | 506 49 87-01 | HOSE CLAMP | | 4 | |
| 13 | 506 60 68-06 | HOSE | 620 mm | 1 | |
| 14 | 504 63 46-01 | SCREW ITXSCM | | 2 | |
| 15 | 504 63 44-01 | HOUSING | | 1 | |
| 16 | 504 63 42-01 | NIPPLE | | 2 | |
| 17 | 504 63 45-01 | HOUSING | | 1 | |
| 18 | 503 26 60-03 | COUPLER | 1 USA, Canada | 1 | |
| 18 | 503 26 60-04 | COUPLER | | 1 | |