



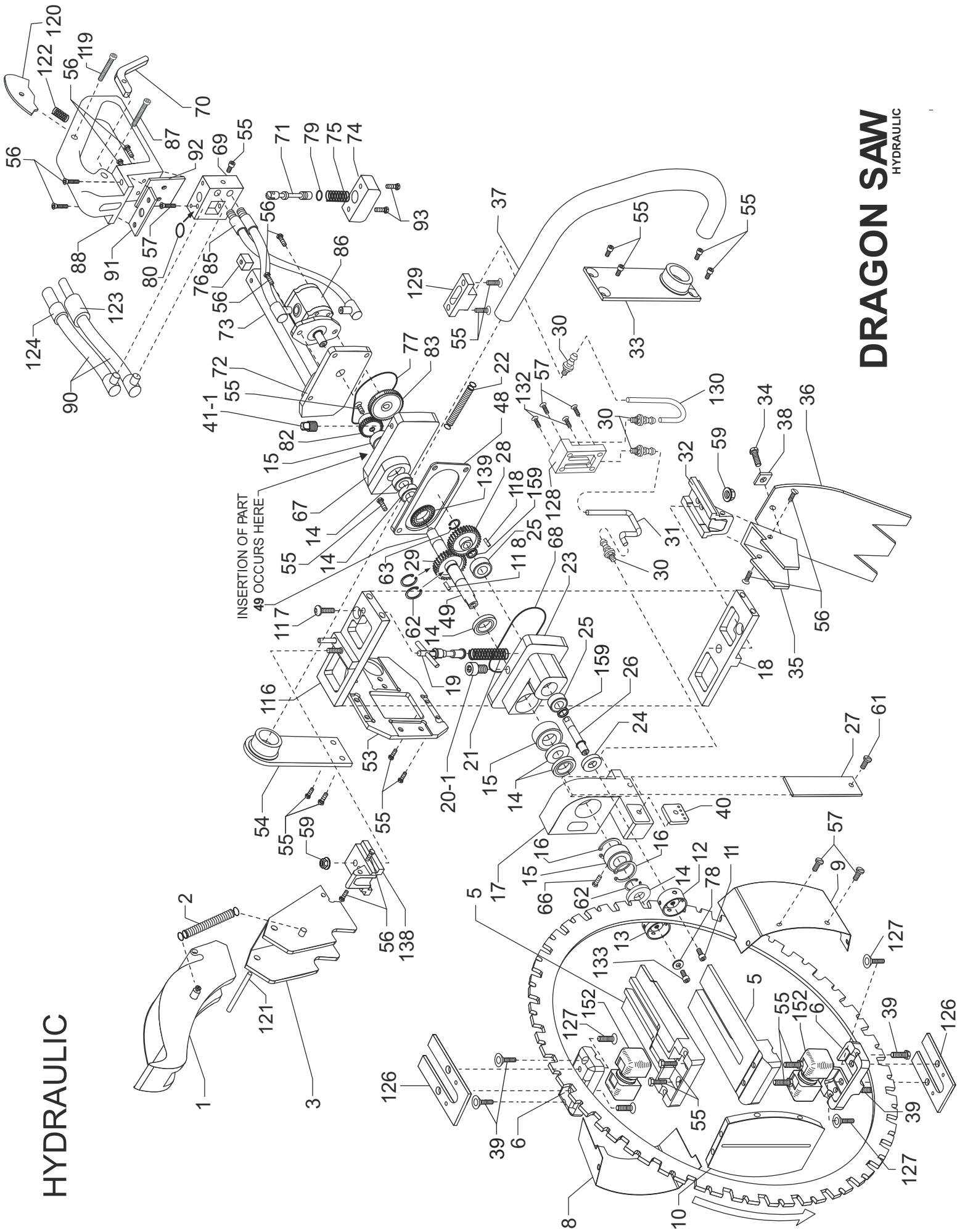
CONCRETE SAW
PARTS LIST

MODEL
HDS60/GDS60
EDS60-115V-230V

AUGUST 2014

Part #1802374

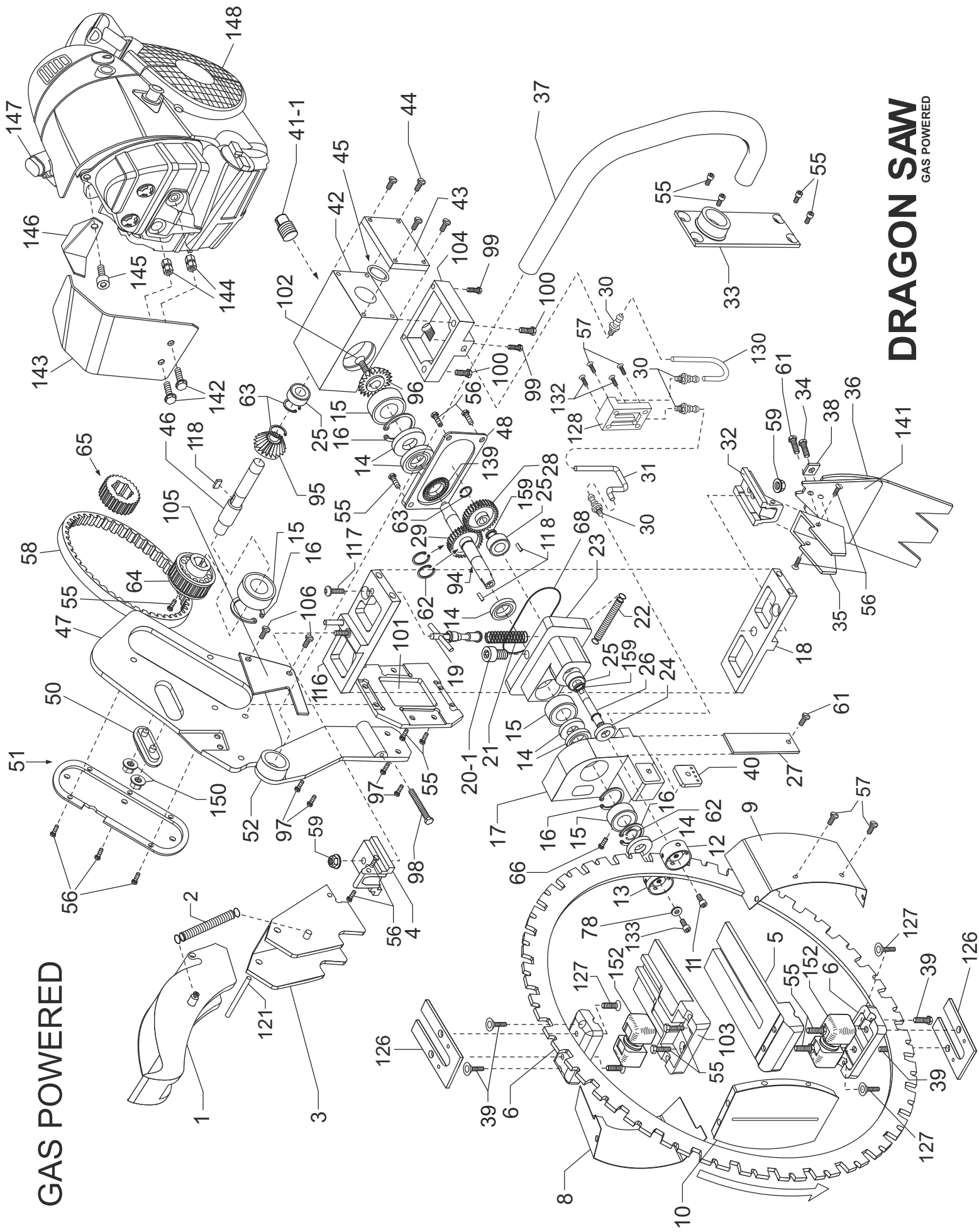
HYDRAULIC



DRAGON SAW

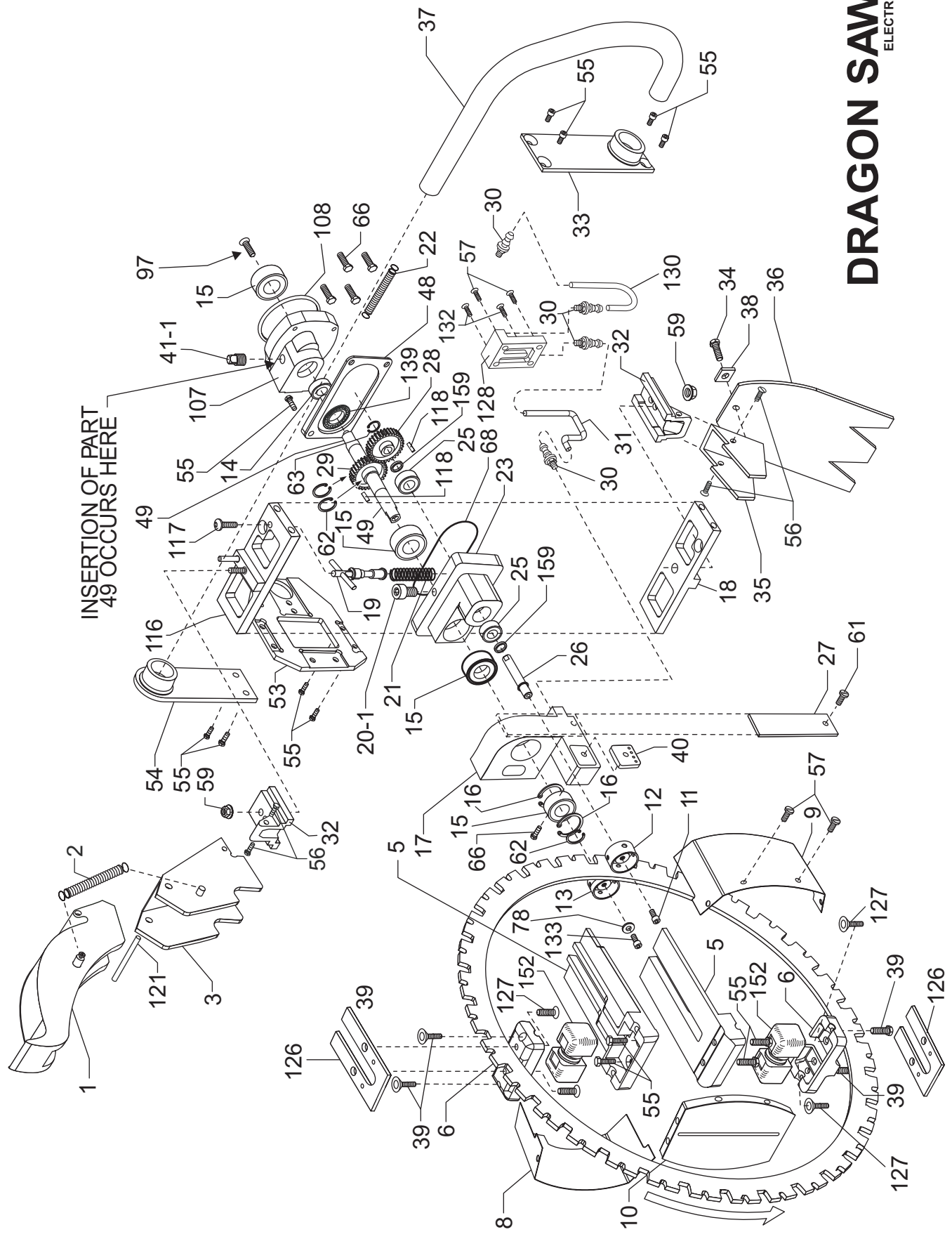
HYDRAULIC

GAS POWERED

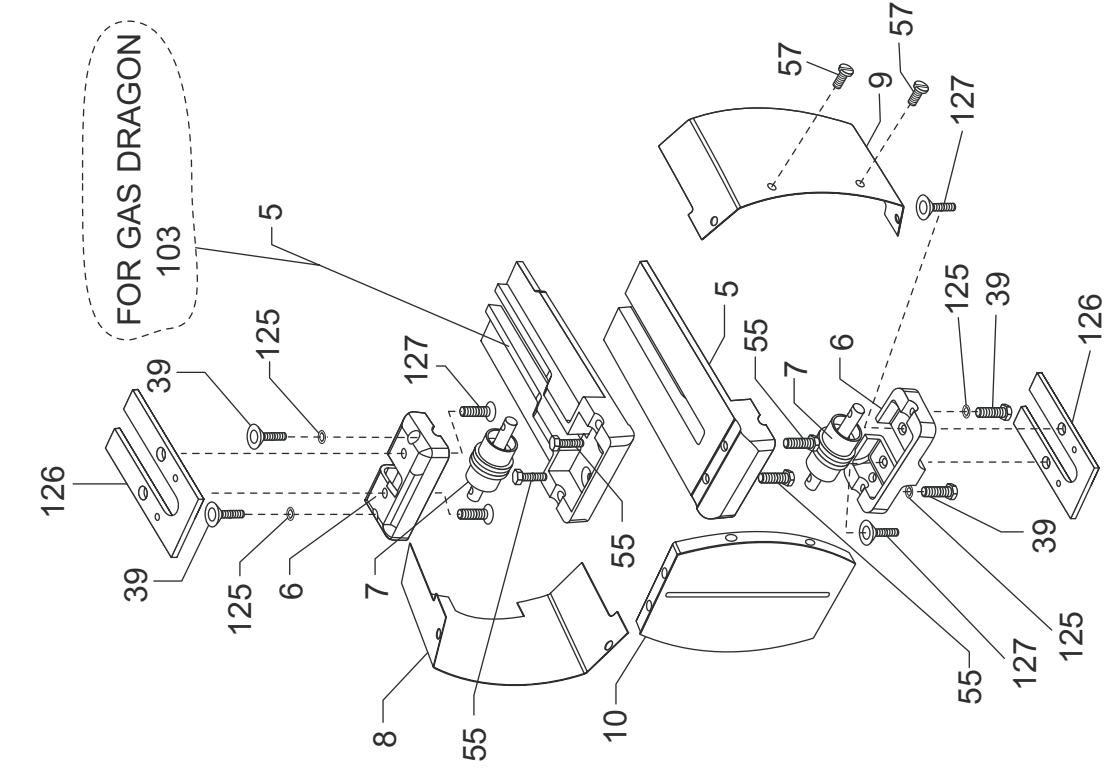
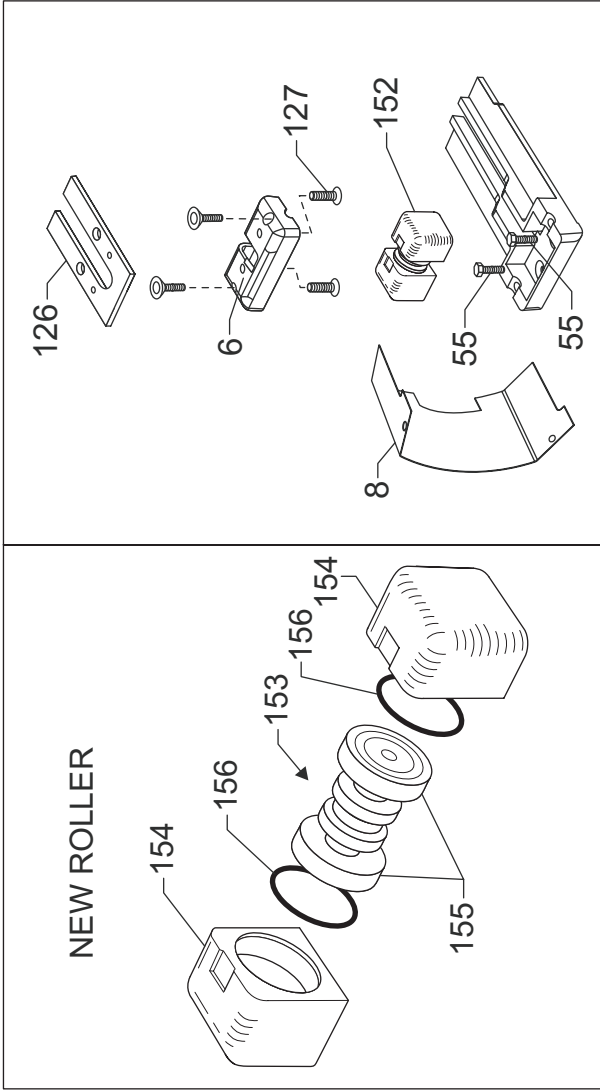


DRAGON SAW
GAS POWERED

ELECTRIC



DRAGON SAW
ELECTRIC



ADJUSTABLE ARM ASSEMBLY

FIG #	REQ	DP PART		DESCRIPTION	INFORMATION
001-1	1	6061241	GDS60	BLADE GUARD COMPLETE	Includes #1-4
001-2	1	6061361	EDS60/HDS60	BLADE GUARD COMPLETE	Includes #1-3/138
1	1	6061188		BLADE GUARD	
2	1	6061189		SPRING	
3	1	6061190		UPPER GUARD	
4	2	6061191	GDS60	CLAMPING BLOCK SHORT	
5	2	6061192		ROLLER ARM	
5-1	1	6061242	EDS60/HDS60	ADJUSTABLE ARM COMPLETE	
5-2	1	6061303	GDS60	ADJUSTABLE ARM COMPLETE	
6	2	6061193		ROLLER ARM COVER	
7	2	6061185		GUIDE ROLLER	
8	1	6061194		SHIELD GUIDE ROLLER LEFT	
9	1	6061195		SHIELD GUIDE ROLLER RIGHT	
10	1	6061196		SHIELD GUIDE ROLLER FRONT	
11	2	6061364		HEX CAP SCREW	5/16-18 X 3/4 soc cap screw
12	1	6061186		DRIVE ROLLER (SMOOTH)	
13	1	6061187		DRIVE ROLLER (LIP)	
14	5	2703968		OIL SEAL	15-35-7-DL
15	4	6061365		BEARING	1623-2RS
16	2	2507020		C CLIP	HO-0137PA
17	1	6061197		COOLING BLOCK	
18	2	6061198		SIDE PLATE U&L	
19	1	6061199		ROLLER TENSIONER	
20-1	1	6061300		PLUG HEX	3/16"
21	1	6061201		SPRING ROLLER TENSION	
22	1	6061202		SPRING # 2	
23	1	6061203		TRANSMISSION	
24	1	2703969		SEAL	S037087255BS
25	2	6061366		BEARING	R81LU
26	1	6061204		ROLLER SHAFT UPPER	
27	1	6061205		WATER CHANNEL	
28/29	1	6061243		SPUR GEAR # 1 + # 2 (set)	
30	4	6061208		FITTING-WATER	1/4-HOSE-PUSH-ON FITTING
31	1	6061209		HOSE-WATER	
32	1	6061210		CLAMP BLOCK LOWER	
33	1	6061211		HANDLE BRACKET LOWER	
34	1	2900077		HEX SCREW	1/4-20 X 7/8
35	1	6061212		GUARD LOWER	
36	1	6061213		GUARD RUBBER FLOP	
37	1	6061214		HANDLE-FRONT	
38	1	6061215		SQUARE WASHER	
39	4	2903250		SCREW-FLAT HEX	10/32 X 1"
40	1	6061184		WATER INJECTION SKID PLATE	
41-1	1	6061301		PLUG BRASS	1/8"
42	1	6061256	GDS60	DRIVE GEAR BOX # 2	
43	1	6061257	GDS60	DRIVE GEAR BOX # 2 END CAP	
44	4	6061297	GDS60	BOLT-END CAP	10-32x3/4 FHSC
45	1	6060336	GDS60	O-RING-- END CAP	N-70#125-0
46	1	6061258	GDS60	SHAFT-# 1	
47	1	6061259	GDS60	PLATE - ADAPTER	

48	1	6061218		COVER-TRANSMISSION	
49	1	6061260	EDS60/HDS60	SHAFT- TRANSMISSION	
50	1	6061261	GDS60	WASHER-PLATE	
51	1	6061262	GDS60	COVER	
52	1	6061275	GDS60	BRACKET-HANDLE EXTENTION	
53	1	6061289	HDS60	PLATE-BASE	
54	1	6061221	EDS60/HDS60	BRACKET-TOP HANDLE	
55	14	6061367		SCREW-FLAT-SOCKET CAP	1/4-20 X 3/4
56	6	6061368		SCREW-BUTTON SOCKET CAP	1/4-20 X 1/2
57	1	2900247		SCREW-SOCKET CAP	1/4-20 X 3/4
58	1	2505229	GDS60	BELT--400-5M	
59	2	2900018		NUT	3/8"
60	2	2900014		WASHER-FLAT	
61	1	2900427		BOLT	1/4-20-3/4"
62	1	2500364		C-CLIP	SH-0062-PA 5/8
63	1	2500697		C-CLIP	SH-0050-PA 1/2
64	1	6061362	GDS60	PULLEY--DRIVE BELT	
65	1	6061363	GDS60	PULLEY--MOTOR DRIVE	
66	1	2903251		BOLT- SKID PLATE	10-32X1
67	1	6061222	HDS60	GEAR BOX	
68	1	2505124		O-RING	
69	1	6061223	HDS60	VALVE BODY-HYDRAULIC	
70	1	6061224	HDS60	HANDLE	
71	1	6061225	HDS60	PLUNGER	
72	1	6061226	HDS60	COVER-GEAR BOX & STEM	
73	1	6061227	HDS60	STEM	
74	1	6061228	HDS60	VALVE CAP	
75	1	6061229	HDS60	SPRING	
76	2	6061230	HDS60	STEM BLOCK	
77	1	2505125	HDS60	O-RING	
78	1	2900031		WASHER-LOCK	
79	1	2505126	HDS60	SEAL-QUAD	
80	1	2706791	HDS60	SEAL-QUAD	
82	1	6061231	HDS60	GEAR SMALL	
83	1	6061232	HDS60	GEAR LARGE	
84	1	2900016	HDS60	WASHER-LOCK	
85-1	2	6061233	HDS60	HOSE ASSEMBLY-3/8"	
85-2	2	6061373	HDS60	HOSE ASSEMBLY-1/2"	
86-1	1	6061234	HDS60	MOTOR CASAPPA- 8GPM	
86-2	1	6061374	HDS60	MOTOR CASAPPA-12GPM	
86-3	1	6061276	HDS60	SEAL KIT	
87	1	2900088	HDS60	BOLT-HANDLE	
88	1	6061235	HDS60	HANDLE ASSEMBLY	
90-1	2	6061237	HDS60	HOSE ASSEMBLY 3/8"	
90-2	2	6061375	HDS60	HOSE ASSEMBLY 1/2"	
91	1	6061238	HDS60	INSULATOR-HEAT SMALL	
92	1	6061239	HDS60	INSULATOR-HEAT LARGE	
93	2	2903250	HDS60	SCREW SOCKET CAP	10-32 X 7/8
94	1	6060374	GDS60	SHAFT-MAIN FOR GAS SAW	
95	1	6060385	GDS60	GEAR-BEVEL # 1	
96	1	6060408	GDS60	GEAR-BEVEL # 2	
97	4	6061293	GDS60	BOLT	1/4-20X1" FHSC

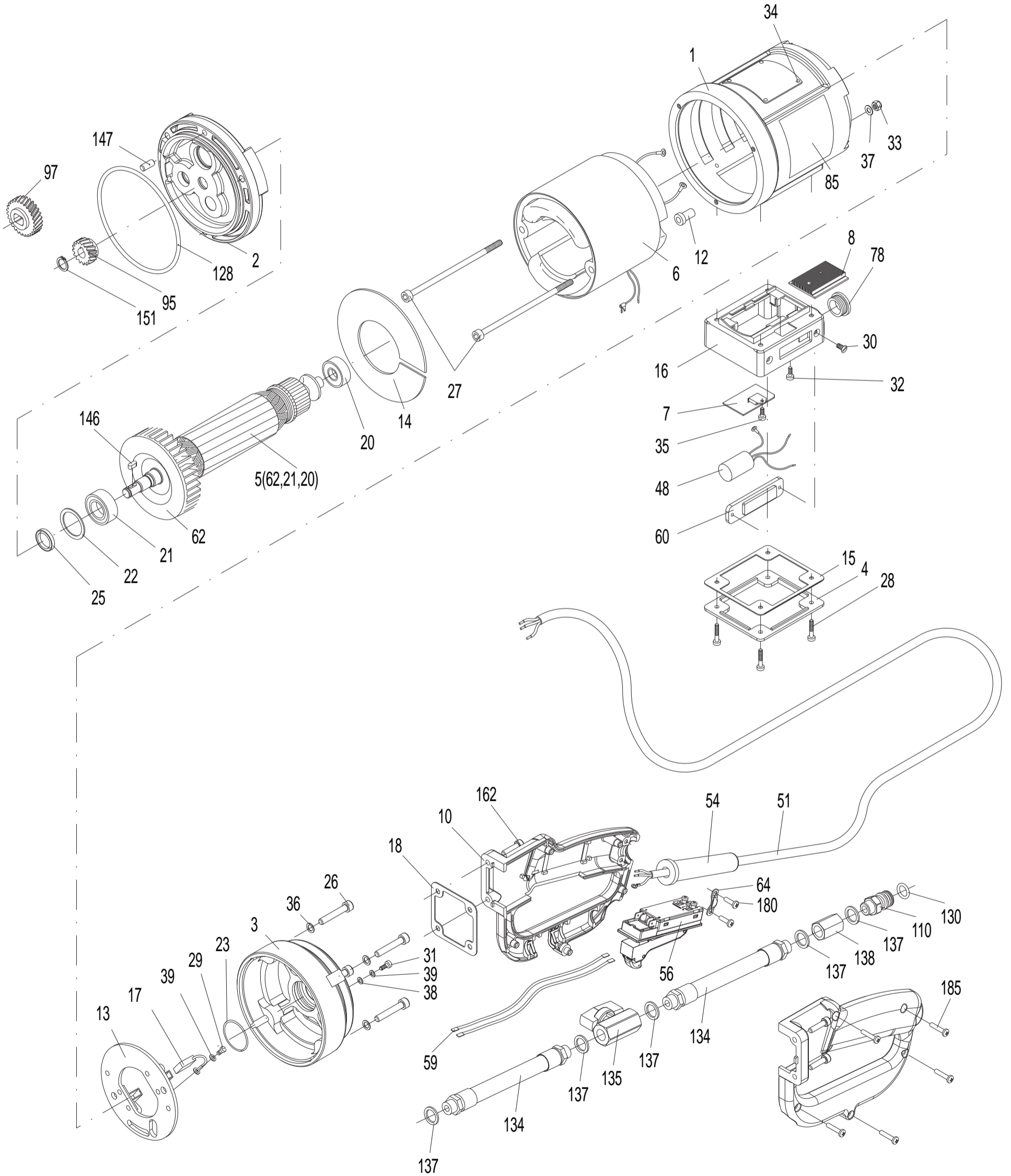
98	1	6061294	GDS60	BOLT-LONG TENSIONING	1/4-20X3" HEX BOLT
99	2	6061295	GDS60	BOLT-COLLER	6/32X5/8" SC
100	2	6061296	GDS60	BOLT-COLLER	10-32X1/2" SC
101	1	6061291	GDS60	PLATE-BASE	
102	1	6061302	GDS60	BOLT-END OF SHAFT	5/16-18X1" FHSC
103	1	6061355	GDS60	ROLLER ARM SHORT	
104	1	6061277	GDS60	COOLER- TRANSMISSION	
105	1	6061278	GDS60	GUARD-FINGER	
106	1	6061292	GDS60	BOLT-FINGER GUARD	1/4-20X3/8" BHH
107	1	6061288	EDS60	TRANSMISSION-ELECTRIC	
108	1	2700799	EDS60	O-RING	
109	1	6061279	EDS60	GEAR	
110	1	6061280	EDS60	GEAR	
111	1	2600816	EDS60	MOTOR-115V	
111-1	1	2600840	EDS60	MOTOR-230V	
113	1	6061240	HDS60	BEARING& SEAL KIT HYDRO	
114	1	6061281	GDS60	BEARING & SEAL KIT GAS	
115	1	6061282	EDS60	BEARING & SEAL KIT ELECTRIC	
116	1	6061360		SIDE PLATE UPPER-C/W PIN	
117	1	2901754		BOLT	
118	2	2901599		KEY WAY	
119	1	2900134	HDS60	BOLT-TRIGGER LOCK	
120	1	6061245	HDS60	TRIGGER LOCK	
121	4	6061246		PIN-GUARD STOPPER	
122	1	6061247	HDS60	SPRING-TRIGGER LOCK	
123	1	3200105	HDS60	MALE HYDRO NIPPLE	
124	1	3200104	HDS60	FEMALE-HYDRO COUPLER	
125	1	2500939		O RING	
126	2	6061358		U-PLATE	
127	4	2901755		SCREW-FLAT HEAD HEX	10-32-3/8"
128	1	6061248		COOLER-TRANSMISSION	
129	1	6061249	HDS60	COOLER-TRANSMISSION	
130	1	6061250		HOSE-RUBBER	1/4"-1/2"-250PSI BLACK PRES
131	2	2900247		SCREW-SOCKET CAP	1/4-20X3/4"
132	2	2901756		SCREW-SOCKET CAP	8-32X3/8"
133	1	6060531		BOLT-HEX-LH	LEFT HAND TREAD 5/16X3/4"
134	1	6061353		20" WING	
135	1	6061354		16" WING	
136	1	6061357		20" FULL CENTER SUPPORT	
137	1	6061356		16" FULL CENTER SUPPORT	
138	1	6061251	HDS60	CLAMPING BLOCK UPPER	
139	1	2507120		BEARING	
140	1	6061359	HDS60	GEAR BOX COMPLETE HYD.	Includes #11-17/20/23-30/41/48-49/55-56/61-63/67-68/82/118/128/131-133/139
141	1	6061371	GDS60	FOOT	
142	2	2900309	GDS60	BOLT	M5X20
143	1	6061254	GDS60	HEAT SHIELD	
144	2	6061298	GDS60	BUSHING	1/4" HNC NUT
145	1	6061299	GDS60	BOLT	M5X20X40 SHC
146	1	6061255	GDS60	DEFLECTOR	
147	1	6061283	GDS60	HANDLE-MODIFIED	
148	1	2600810	GDS60	GAS MOTOR COMPLETE	

150	2	6061290	GDS60	NUT-M-8	
151	1	6061284	HDS60	MOTOR HANDLE HOSE KIT 12	Includes #55-57/69-76/79-80/84/85.2-
					86.2/87-88/90-93/119-120/122-124
152	2	6061253		GUIDE ROLLER 2 G	COMPLETE
153	2	6061377		ROLLER 2 G	
154	4	6061378		BLOCK - SUPPORT	
155	4	6061379		BEARING	
156	4	6061380		O-RING	
157	1	6061285	EDS60 /HDS60	TOOL KIT HYDRO & ELECTRIC	
158	1	6061286	GDS60	TOOL KIT GAS	
159	1	6061287		WASHER-PLASTIC	USE WITH # 25 BEARING

MOTOR TYP RS 30 DP
MOTOR TYPE RS 30 DP

EDS60

ELECTRIC DRAGON SAW (115V/230V)



EDS60 - RS30DP

115V / 230V

FIG	NO	DESCRIPTION	DP PART #
1	1	Motor case	2700831
2	1	Intermediate Flange	2707547
3	1	Motor Top Hood incl. O-ring	2707548
4	1	Terminal Case Cover	2700834
5	1	Armature with Fan and Bearings - 230V	2707162
	1	Armature with Fan and Bearings - 115V	2707163
6	1	Field compl. - 230V	2707160
	1	Field compl. - 115V	2707161
7	1	Electronic Module - 230V	2707549
	1	Electronic Module - 115V	2707550
8	1	Cooling Profile	2703261
10	1	Switch Handle	2707551
12	2	Field Screw Insulating Sleeve	2700839
13	1	Brush Holder Disc	2707552
14	1	Air Conducting Disc	2700841
15	1	Terminal Case Sealing	2701080
16	1	Terminal Case for motor electronic	2703262
17	2	Carbon Brush - 230V	2701532
	2	Carbon Brush - 115V	2700845
18	1	Terminal Case Sealing	2701567
20	1	Ball Bearing 6201 2Z	2700846
21	1	Ball Bearing 6002 Z	2700773
22	1	Compensation Washer	2700848
23	1	O-Ring RDR 32x3	2700849
25	1	Rotary Shaft Seal RWD12x24x7	2703241
26	4	Hex. Socket Head Screw M6x35	2700852
27	2	Hex. Socket Head Screw M5x120	2700853
28	4	Fill. Head Screw M4x40	2700854
29	2	Fill. Head Screw M4x6	2700855
30	2	Cross Rec. Count. Head Tapping Screw 3,9x9,5	2707553
31	1	Slot. Pan Head Screw M4x6	2700674
32	1	Pan Head Tapping Screw 3,9x9,5	2700675
33	2	Hexagon Nut M5	2700858
34	4	Round Head grooved Pin 2,3x4	2700678

FIG	NO	DESCRIPTION	DP PART #
35	1	Th. Roll. Cheese Head Screw M4x6	2701386
36	4	Locking Washer SM6	2700826
37	2	Curved Spring Washer A5	2700861
38	1	Curved Spring Washer A4	2700680
39	3	Medium Washer 4.3	2700681
48	1	Interference Suppression Capacitor	2706625
51	1	Cord 3G1,5x3,8m 230V	2707554
	1	Cord 3G4x3,8m 115V	2707555
54	1	Cord Sleeve 230V	2700685
	1	Cord Sleeve 115V	2707556
56	1	Motor Switch	2707533
59	1	Motor Strand 230V	2707557
	1	Motor Strand 115V	2707558
60	1	Cover	2707559
62	1	Fan	2700692
64	1	Cord Clamping Piece	2707560
78	1	Locking Screw M20x1,5	2707561
85	1	Pointing Sticker	2700737
95	1	Armature Pinion	2707545
97	1	Spur Wheel	2707562
110	1	Quick Connect Nipple	2700706
128	1	O-Ring RDR102x3	2700799
130	1	O-Ring RDR11x2,5	2700712
134	2	Hose Piece cpl. with nipples	2701939
135	1	Ball Valve	2707565
137	5	Sealing Ring	2700717
138	1	Socket	2703211
146	1	Parallel Key A4x4x10	2700815
147	1	Parallel Pin 6m6x10	2700816
151	1	Retaining Ring 10x1	2707563
162	4	Hex. Socket Head Screw M5x20	2707564
180	2	Pan Head Tapping Screw 3,9x13	2702986
185	5	Pan Head Tapping Screw 3,9x19	2700676

Proposition 65
State of California

Warning !

Engine exhaust and some its constituents are known to the State of California to cause cancer, birth defects, and/or other reproductive harm.

Notification of Spark Arrester Requirement for
State of California

It is a violation of Section 4442 or 4443 to use or operate the engine on any forest-covered, brush-covered, or grass-covered land unless the engine is equipped with a spark arrester, as defined in Section 4442, maintained in effective working order or the engine is constructed, equipped, and maintained for the prevention of fire pursuant to Section 4443.

EQUIPMENT AND PARTS WARRANTY

Diamond Products warrants all equipment manufactured by it against defects in workmanship or materials for a period of **90 days** from the date of shipment to Customer.

The responsibility of Diamond Products under this Warranty is limited to replacement or repair of defective parts at Diamond Products' Elyria, Ohio factory, or at a point designated by it, of such parts as shall appear to us upon inspection at such parts, to have been defective in material or workmanship, with expense for transportation and labor borne by Customer.

In no event shall Diamond Products be liable for consequential or incidental damages arising out of the failure of any Product to operate properly.

Integral units such as engines, electric motors, batteries, transmissions, etc., are excluded from this Warranty and are subject to the prime manufacturer's warranty.

THIS WARRANTY IS IN LIEU OF ALL OTHER WARRANTIES, EXPRESSED OR IMPLIED, AND ALL SUCH OTHER WARRANTIES ARE HEREBY DISCLAIMED.



333 Prospect Street, Elyria, Ohio 44035
(440) 323-4616 • (800) 321-5336 • Fax (440) 323-8689

www.diamondproducts.com