

# **SPARE PARTS CATALOGUE**

**: HUSQVARNA DE 120**

Spare Parts List

Frequent Parts

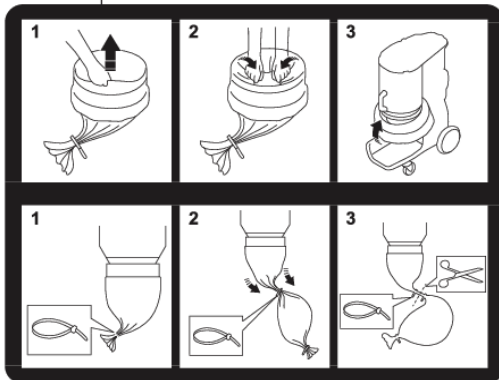
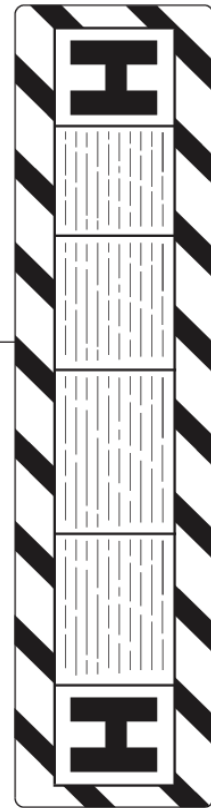
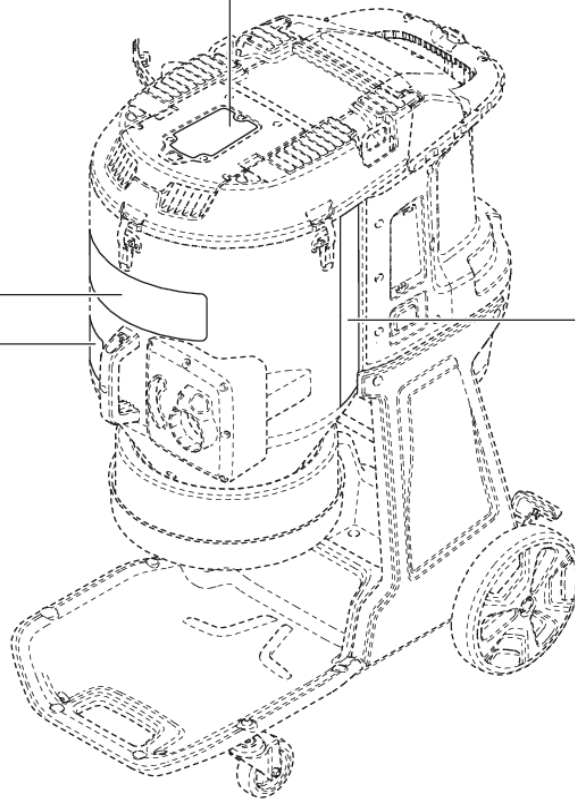
---

# **SPARE PARTS LIST**

**J** DE 120  
DECALS - EU, AUS, RoW

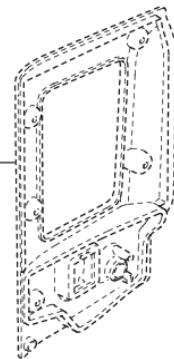
1

 **Husqvarna**  
**DE 120**



**MAX 10A**

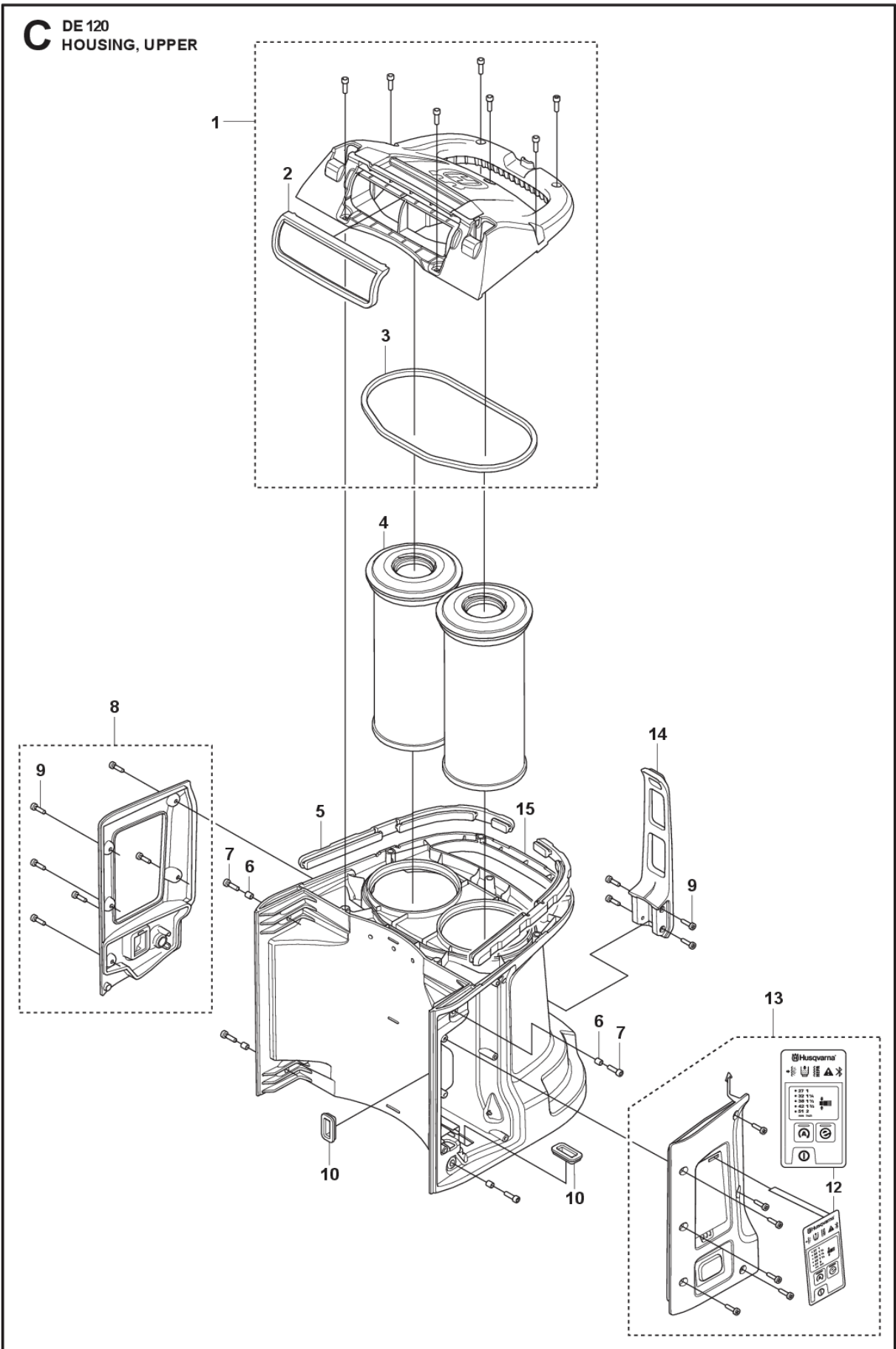
**MIN 200W  
MAX 2300W**



---

PXM_REF	PXM_PARTNO	DESCRIPTION	PXM_REMARK	QTY.
1	529883101	DECAL KIT	EU, AUS, ROW	1

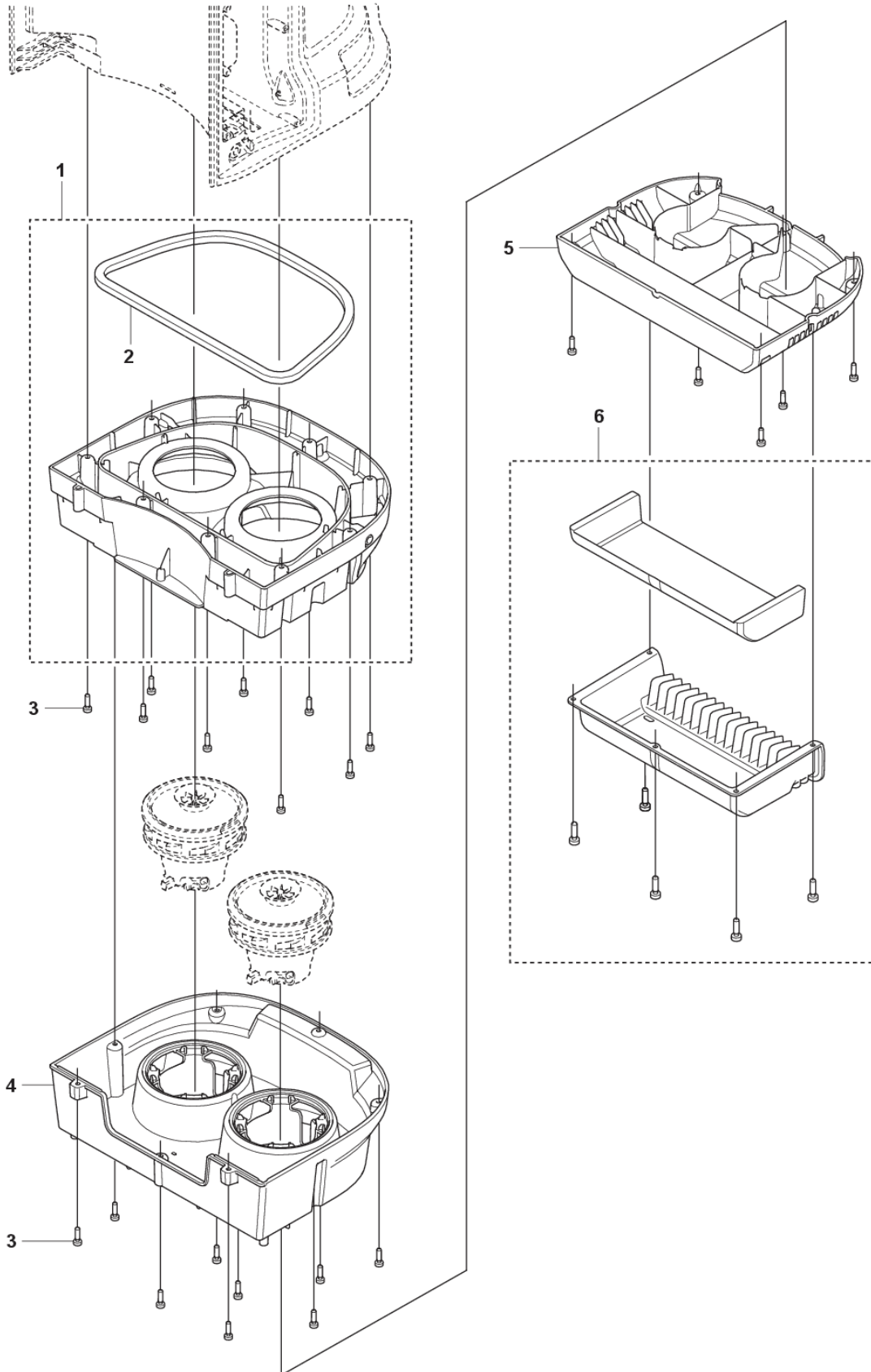
**C** DE 120  
HOUSING, UPPER



---

PXM_REF	PXM_PARTNO	DESCRIPTION	PXM_REMARK	QTY.
1	535276801	COVER		1
2	599777401	SEALING		1
3	599777501	SEALING		1
4	534123601	FILTER		2
5	599777601	BUMPER		2
6	599838401	BUSHING		4
7	725537006	SCREW IHSCM		4
8	535022701	LID	W SWITCH	1
8	535022703	LID	W/O SWITCH	1
9	599608301	SCREW ITXSCT		32
10	599624101	SEALING		2
12	599445004	KEYPAD		1
13	535277001	LID		1
14	599379601	STRAP		1
15	529344101	HOUSING		1

**D** DE 120  
HOUSING, LOWER

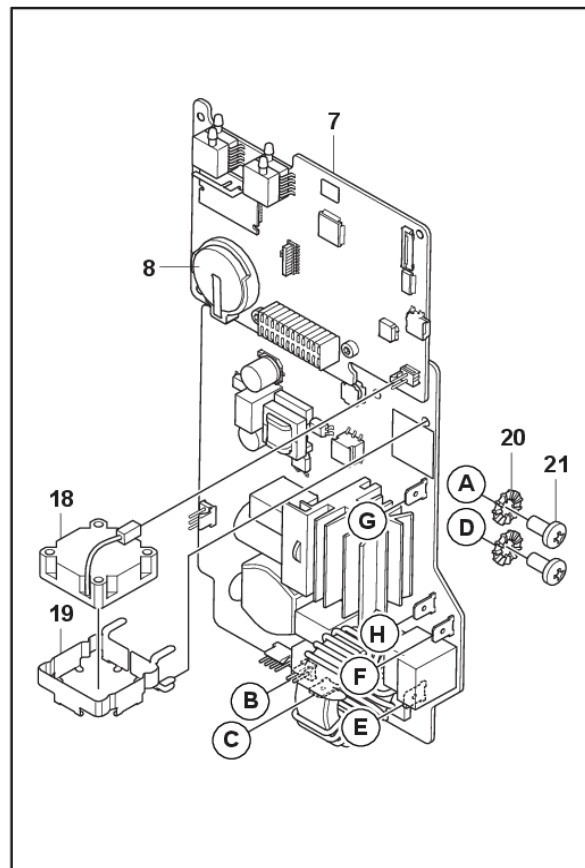
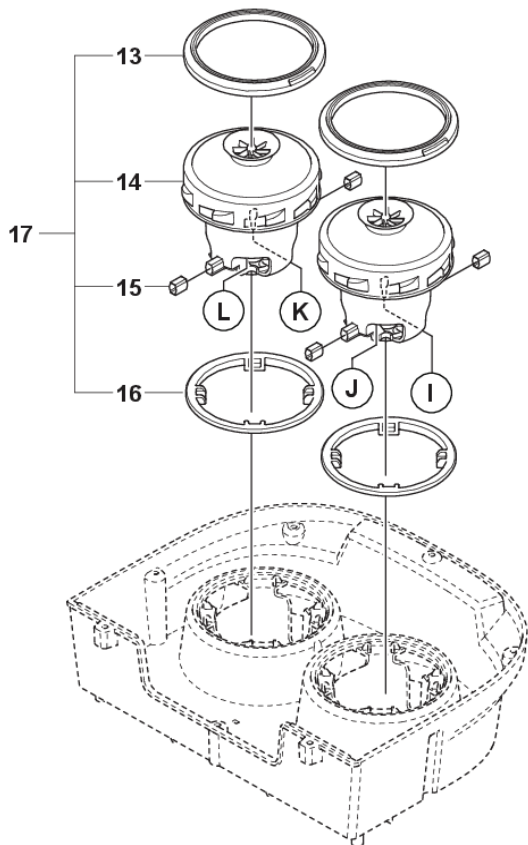
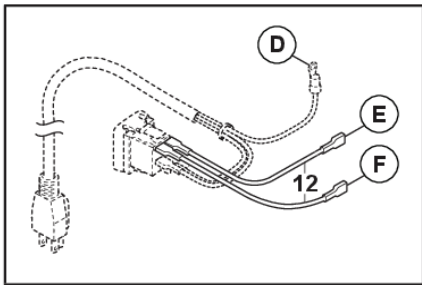
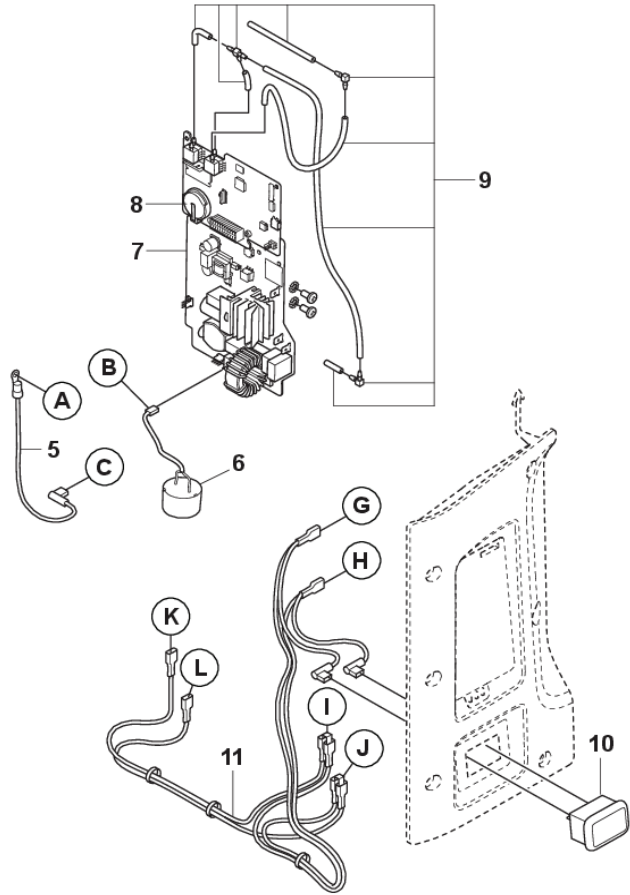
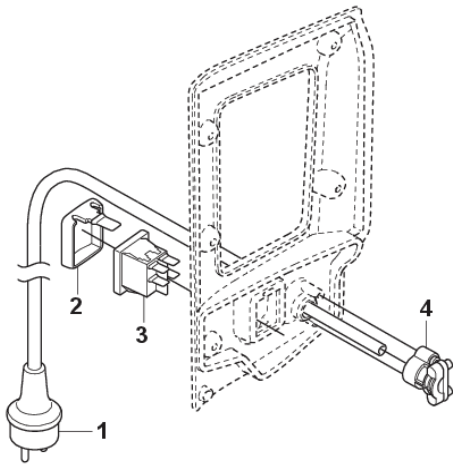


---

PXM_REF	PXM_PARTNO	DESCRIPTION	PXM_REMARK	QTY.
1	535277101	COVER		1
2	599779201	SEALING		1
3	599608301	SCREW ITX SCT		23
4	599988401	MOTOR HOUSING		1
5	599988501	COVER		1



**E** DE 120  
MOTOR & ELECTRICAL - EU, AUS

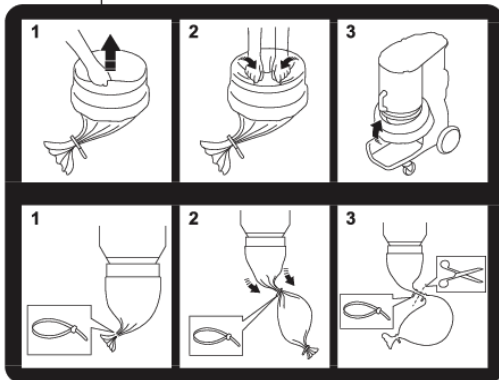
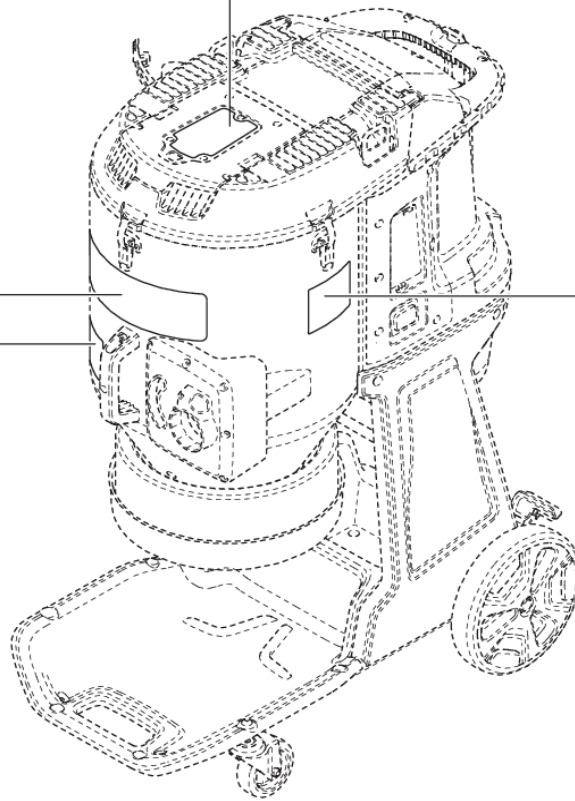


PXM_REF	PXM_PARTNO	DESCRIPTION	PXM_REMARK	QTY.
1	599249301	POWER CORD	EU/RoW	1
1	599249302	POWER CORD	AU	1
2	534149101	LID		1
3	529679901	SWITCH		1
4	531391701	CABLE GROMMET		1
5	529620801	WIRE	EU/AUS	1
6	599839501	BUZZER		1
7	599819901	PRINTED CIRCUIT ASSY		1
8	900000002	DUMMY PART	CR2450X / 3V 600mAh	1
9	536478002	HOSE KIT		1
10	599589201	HOUR METER		1
11	536481301	WIRE		1
12	535286901	WIRE	Switch-PCBA	2
13	599298801	SEALING RING		2
14	599525401	MOTOR	EU/AU 230V	2
15	536507501	BRUSH KIT	230V	2
16	599510301	SEALING RING		2
17	535287301	MOTOR KIT	EU/AU 230V	2
18	531113501	BRACKET		1
19	531070001	FAN		1
20	735214601	LOCKWASHER		2
21	724132551	SCREW CRPANM		2

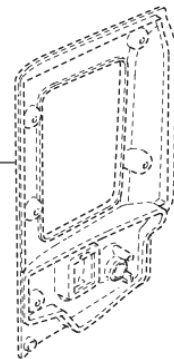
**J** DE 120  
DECALS - NA

1

 **Husqvarna**  
**DE 120**



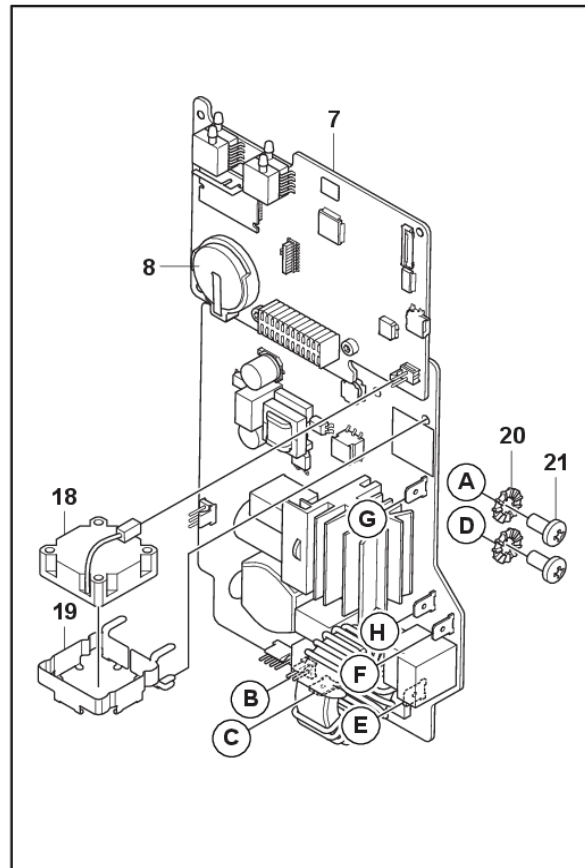
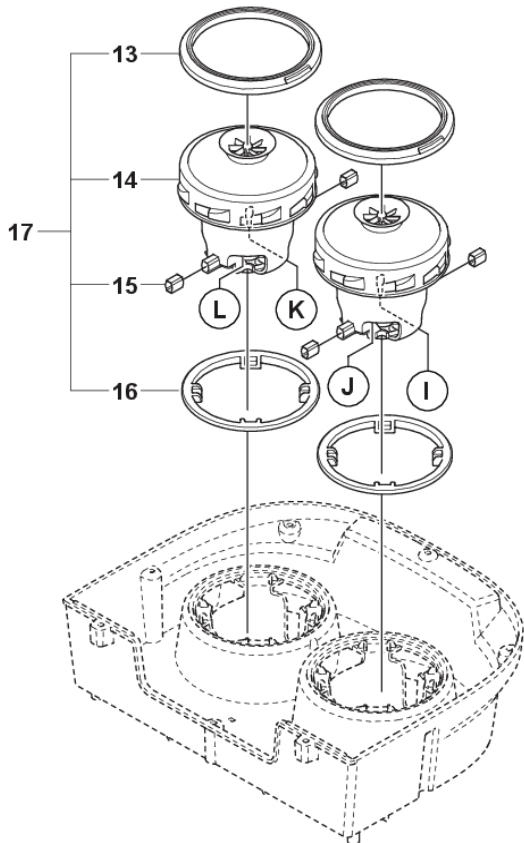
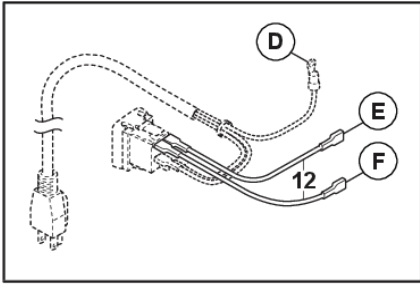
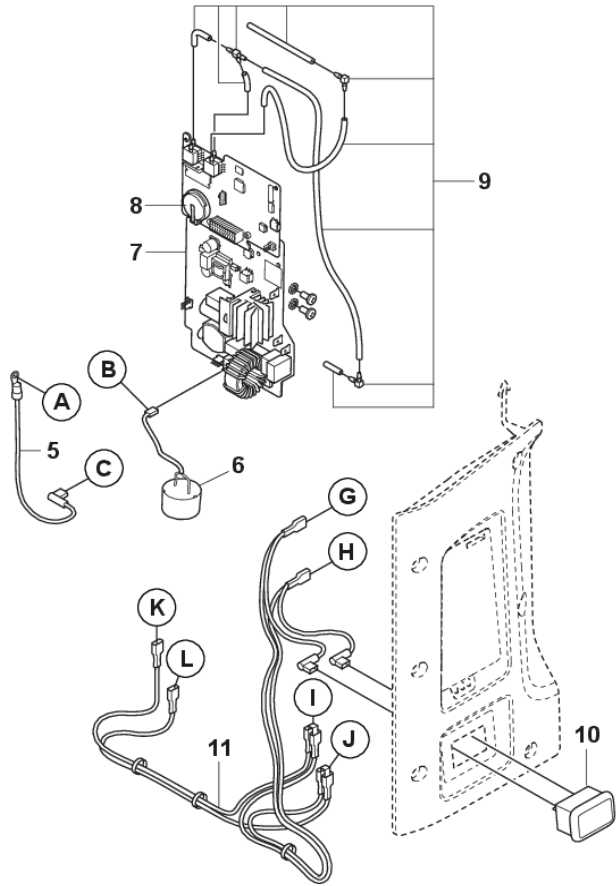
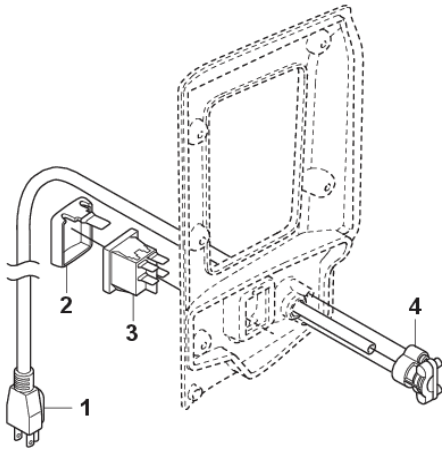
**MIN 200W**  
**MAX 1200W**



---

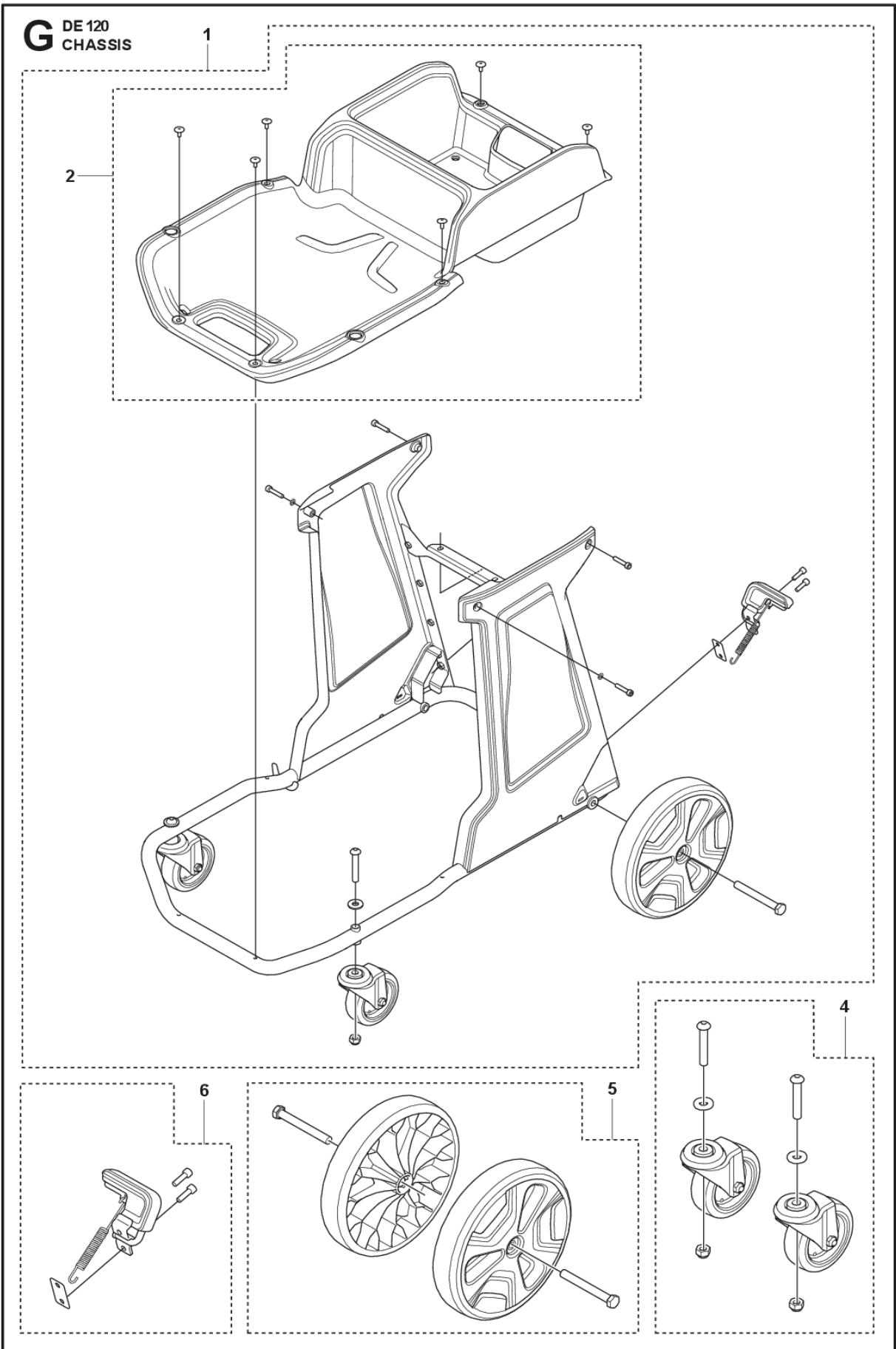
PXM_REF	PXM_PARTNO	DESCRIPTION	PXM_REMARK	QTY.
1	529883102	DECAL KIT	NA	1

**F** DE 120  
MOTOR & ELECTRICAL - US, UK, JP



PXM_REF	PXM_PARTNO	DESCRIPTION	PXM_REMARK	QTY.
1	599249305	POWER CORD	UK	1
1	599249306	POWER CORD	US 120V	1
1	599249307	POWER CORD	US 230V	1
1	599249309	POWER CORD	JP	1
2	534149101	LID		1
3	529679901	SWITCH		1
4	531391701	CABLE GROMMET		1
5	529620802	WIRE	US/JP	1
6	599839501	BUZZER		1
7	599819901	PRINTED CIRCUIT ASSY		1
8	900000002	DUMMY PART	CR2450X / 3V 600mAh	1
9	536478002	HOSE KIT		1
10	599589201	HOUR METER		1
11	536481301	WIRE		1
12	535286901	WIRE		1
13	599298801	SEALING RING		2
14	599525404	MOTOR	JP 200V	2
14	599525403	MOTOR	US 230V	2
14	599525402	MOTOR	US/UK 120V	2
15	536507502	BRUSH KIT	120V	2
16	599510301	SEALING RING		2
17	535287302	MOTOR KIT	US / UK 120V	2
17	535287303	MOTOR KIT	US 230V	2
17	535287304	MOTOR KIT	JP 100V	1
18	531113501	BRACKET		1
19	531070001	FAN		1
20	735214601	LOCKWASHER		2
21	724132551	SCREW CRPANM		2

**G** DE 120  
CHASSIS

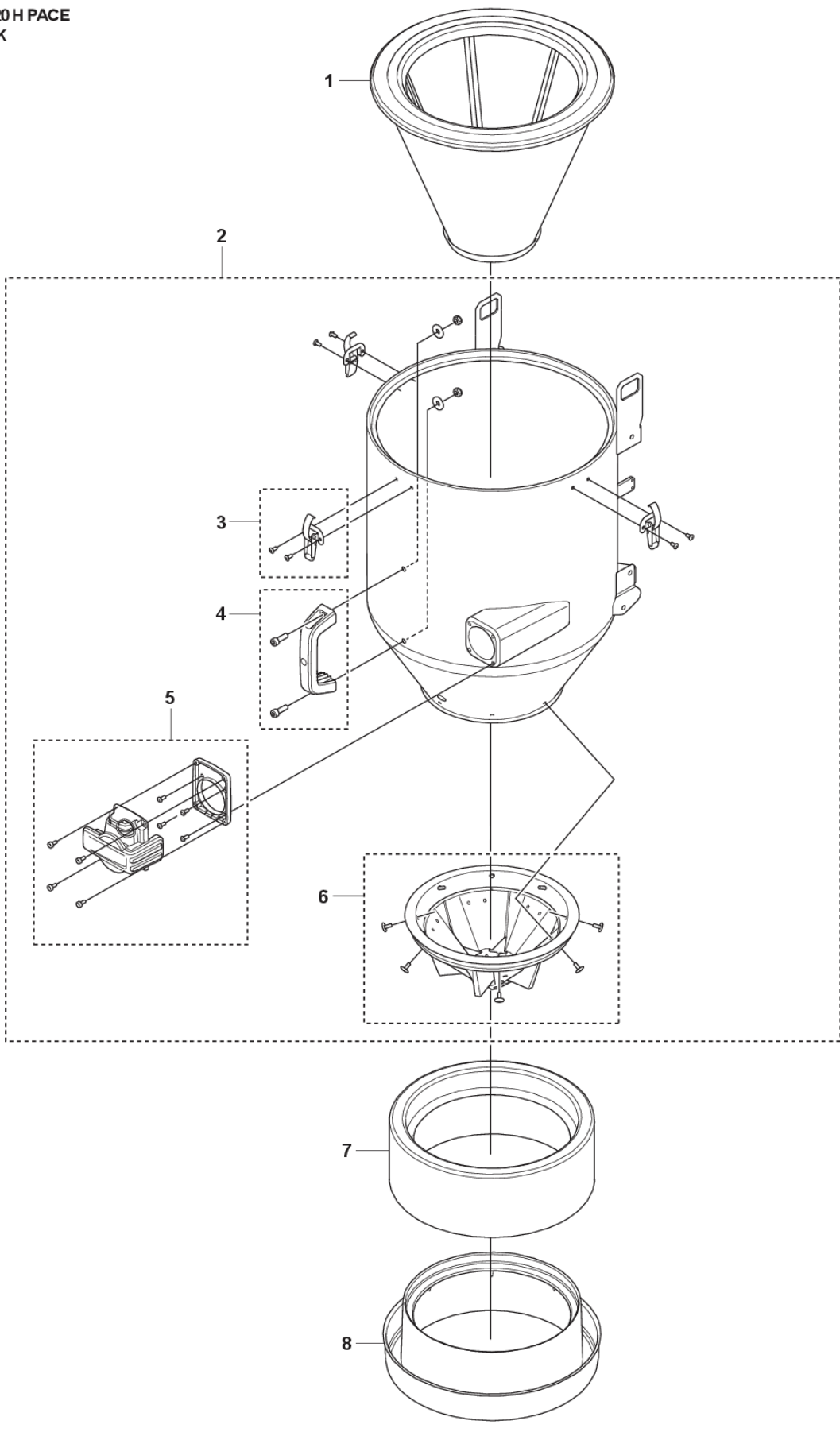


---

PXM_REF	PXM_PARTNO	DESCRIPTION	PXM_REMARK	QTY.
1	599812201	FRAME ASSY		1
2	535277401	TRAY		1
4	534125101	WHEEL KIT		2
5	535277201	REAR WHEEL		2
6	529746601	BRAKE ASSY		1



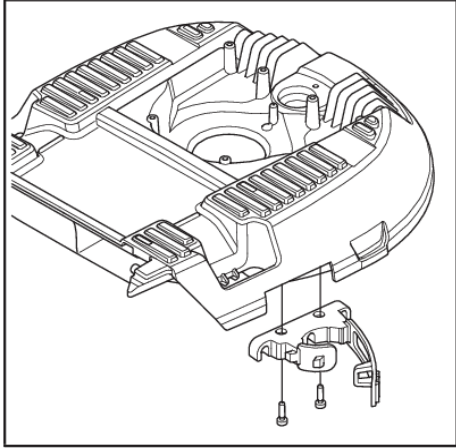
DE 120H PACE  
TANK



---

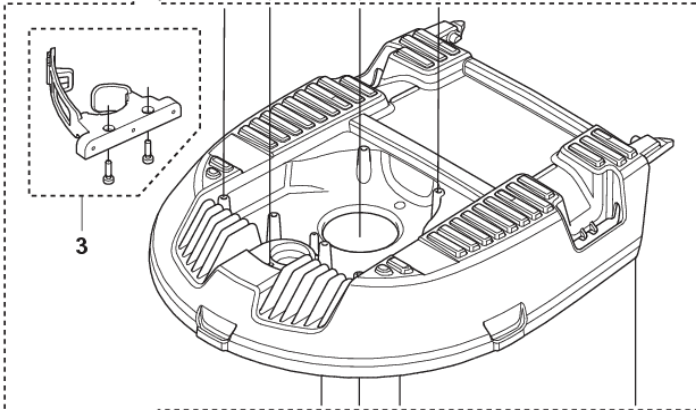
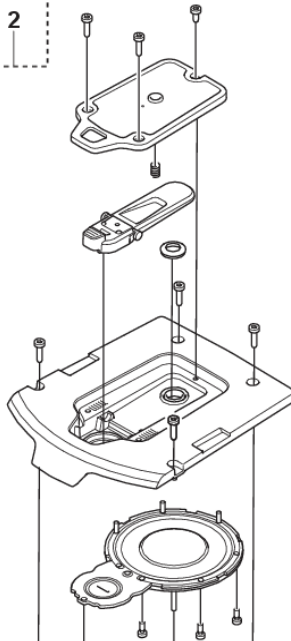
PXM_REF	PXM_PARTNO	DESCRIPTION	PXM_REMARK	QTY.
1	536372701	AIR FILTER		1
2	535276401	TANK ASSY		1
3	534119301	BUCKLE		3
4	534119601	HANDLE		1
5	531164501	INLET		1
6	531384901	SUPPORT RING		1
7	534127401	CONE		1
8	590429201	DUST BAG		1
9	599158501	HOLDER		1

DE 120 H PACE  
LID

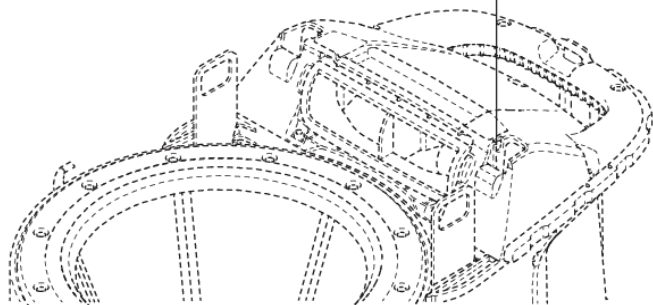


1

2



3



---

PXM_REF	PXM_PARTNO	DESCRIPTION	PXM_REMARK	QTY.
1	599811801	LID ASSY		1
2	535276501	LEVER ASSY		1
3	535276601	STRAP		1