

CC2500 Medium Walk Behind Saw



Gasoline



Electric



Hydraulic



Propane
Option

**Delivers the Power of a Large Saw
with a Compact Size**

14" - 26" Blade Capacity

Push Drive/Self Propelled

Features & Benefits

- Rigid high strength 3/16" steel box frame with heavy bar reinforcement
- 2 position tilt handle bars
- Screw feed raise and lower with optional power raise and lower
- Cyclone air filter on gas models
- Positive gear drive to rear axle via Eaton hydrostatic transmission

Specifications

Maximum depth of cut with 14" blade:	4-5/8"
Maximum depth of cut with 20" blade:	7-3/8"
Maximum depth of cut with 26" blade:	10-3/8"
Blade shaft RPM:	Varies
Blade shaft diameter:	1-1/2"
Arbor size:	1" w/drive pin
Blade shaft drive:	4 belt up to 20.8HP, 5 belt for 25HP
Blade mounting:	Right or Left
Transmission (self propelled only):	Eaton Model 6
Drive Speed:	0-130 feet/min
Fuel Capacity (gas models):	5 gallons

INCLUDES:

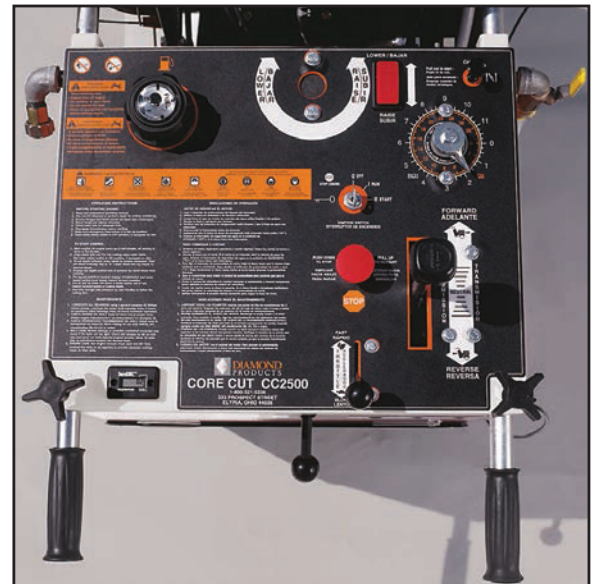
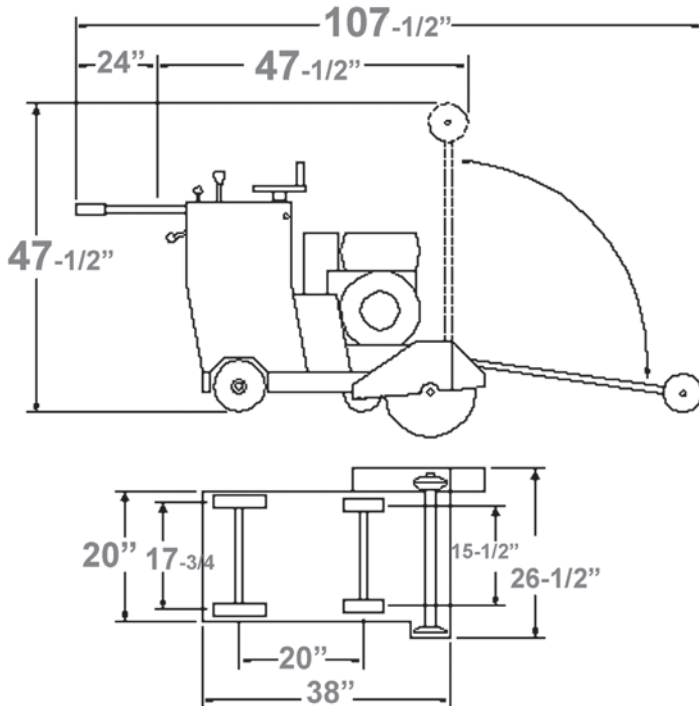
Electric Start (20-25 HP models)	Low Oil Alert
Tach/Hour Meter (20-25 HP models)	Frame Lift
Quick Disconnect Blade Flanges	Cutting Depth Indicator
Telescoping front pointer	



CC2527KC

Blade not included

CE
Certified



**CC2500 Control Panel Shown
with Optional Raise/Lower Control Switch**

Horsepower and Torque as rated
by the engine manufacturer.

Sawing



Parts List #: 1801980 (Gas)
1801981 (Electric/Hydraulic)
Operator Manual #: 1800419

CC2500 MEDIUM WALK BEHIND SAW

Model #	Engine/Motor Make/Model	Engine/Motor Power	Power Source	Part #	Cat #	Blade Capacity	Product Weight (lbs.)	List Price
CC2515E3-14	Leeson®	15 HP, 230V - 3PH	Electric	5800400A	48413	14"	700	\$9,841
CC2515E3-14	Leeson®	15 HP, 460V - 3PH	Electric	5800400B	99980	14"	700	9,841
CC2515E3-20	Leeson®	15 HP, 230V - 3PH	Electric	5800401A	98001	20"	670	9,931
CC2515E3-20	Leeson®	15 HP, 460V - 3PH	Electric	5800401B	93694	20"	660	9,931
CC2515E3-26	Leeson®	15 HP, 230V - 3PH	Electric	5800402A	94379	26"	705	10,186
CC2515E3-26	Leeson®	15 HP, 460V - 3PH	Electric	5800402B	94409	26"	720	10,186
CC2520H-14	Honda® GX630** ♦	20.8 HP, 35.6 Torque (lbs.-ft.)	Gas	5800406	48418	14"	600	10,246
CC2520H-20	Honda® GX630** ♦	20.8 HP, 35.6 Torque (lbs.-ft.)	Gas	5800407	47164	20"	669	10,343
CC2520H-26	Honda® GX630** ♦	20.8 HP, 35.6 Torque (lbs.-ft.)	Gas	5800408	48419	26"	670	10,572
CC2522H-14	Honda® GX690** ♦	22.1 HP, 35.6 Torque (lbs.-ft.)	Gas	5801520	29637	14"	610	11,357
CC2522H-20	Honda® GX690** ♦	22.1 HP, 35.6 Torque (lbs.-ft.)	Gas	5801521	29638	20"	620	11,438
CC2522H-26	Honda® GX690** ♦	22.1 HP, 35.6 Torque (lbs.-ft.)	Gas	5801522	34013	26"	685	11,676
CC2525HY-14	Webster® ♦	25 HP - 25 GPM @ 2000 PSI	Hydraulic	5800489	48426	14"	610	8,388
CC2525HY-20	Webster® ♦	25 HP - 25 GPM @ 2000 PSI	Hydraulic	5800490	48427	20"	625	8,469
CC2525HY-26	Webster® ♦	25 HP - 25 GPM @ 2000 PSI	Hydraulic	5800491	48428	26"	650	8,708
CC2525KC-14	Kohler® Command CH742** ♦	25 HP, 41.2 Torque (lbs.-ft.)	Gas	5800597	79036	14"	645	11,935
CC2525KC-20	Kohler® Command CH742** ♦	25 HP, 41.2 Torque (lbs.-ft.)	Gas	5800598	79037	20"	650	12,017
CC2525KC-26	Kohler® Command CH742** + ♦	25 HP, 41.2 Torque (lbs.-ft.)	Gas	5800599	78816	26"	665	12,255

50 cycle motors available on request. (motor starter switch box included).

** Includes remote cyclone air cleaner.

+ Right hand sawing only on this 26" model.

♦ Electric start.

CC2500 BLADE GUARDS

Description	Part #	Cat #	List Price
14" Tapered Mount Blade Guard	6010950	20011	\$427
20" Tapered Mount Blade Guard	6010952	08213	634
26" Tapered Mount Blade Guard	6010954	19322	818



CC2520H



CC2525HY

CC2500 OPTIONS

Description	Part #	Cat #	List Price
Water Safety Switch ♦	6047932	47451	\$158
Water Safety Switch (for saws with newer GX630/660/690 Honda engines)	6041358	58340	172
Water Pump (electric) ♦	6047933	48432	476
Spot Light ♦	6047934	48433	176
Electric Raise/Lower Assembly for Gas Saw	6047967	48002	845
Electric Raise/Lower Assembly for Electric Saw *	6047970	47467	2,047
Electric Raise/Lower Assembly for Hydraulic Saw *	6047980	52974	2,047
Hydraulic Raise/Lower Assembly for Gas Saw	6047997	78817	1,340
Hydraulic Raise/Lower Assembly for Electric Saw *	6047998	79041	2,385
Hydraulic Raise/Lower Assembly for Hydraulic Saw *	6047999	79042	2,385
Catalytic Muffler for Honda GX630, GX660 & GX690	2504587	61953	2,000
Blade stacking kit - 5" flange (for blades 1-1/2" apart)	6010630B	25424	879
Blade spacing kit - 5" flange (for blades 2" apart)	6010631B	25426	925
Blade spacing kit - 5" flange (for blades 4" apart)	6010632B	23197	1,093
Propane Conversion Kit for 22.2 HP Honda (4.7 gallon tank, horizontal vapor) +	6040376	61955	3,161
Propane Conversion Kit for 20.8 HP Honda (4.7 gallon tank, horizontal vapor) +	6040324	10158	3,054

♦ Not available on electric saw models (CC2515E) or hydraulic saw models (CC2525HY) without Power Raise/Lower Assembly.

* Includes battery and alternator.

+ Propane conversion kits include the following: conversion to dual fuel, safety fuel lock, liquid propane fuel tanks with float gauge and safety check connector.