



# CONCRETE SAW PARTS LIST



## MODEL CC5048

August 2022

Part # 1802720-10

**CC5048 SINGLE SPEED RPM CHART**

BLADE SIZE	BLADE RPM	BLADE SHEAVE	ENGINE SHEAVE	ENGINE RPM	BELT SIZE	FLANGE SIZE	MAX CUT DEPTH
14"	2,800	4.00"	4.00"	2,800	3VX560	4.5"	4-3/4"
20"	2,600	4.00"	4.00"	2,600	3VX560	4.5"	7-3/4"
26"	2,000	4.75"	4.00"	2,375	3VX570	5"	10-1/2"
30"	1,700	4.75"	4.00"	2,020	3VX570	5"	12-1/2"
36"	1,400	5.60"	4.00"	1,960	3VX580	6"	15"
42"	1,200	6.90"	4.00"	2,070	3VX600	7"	17-1/2"

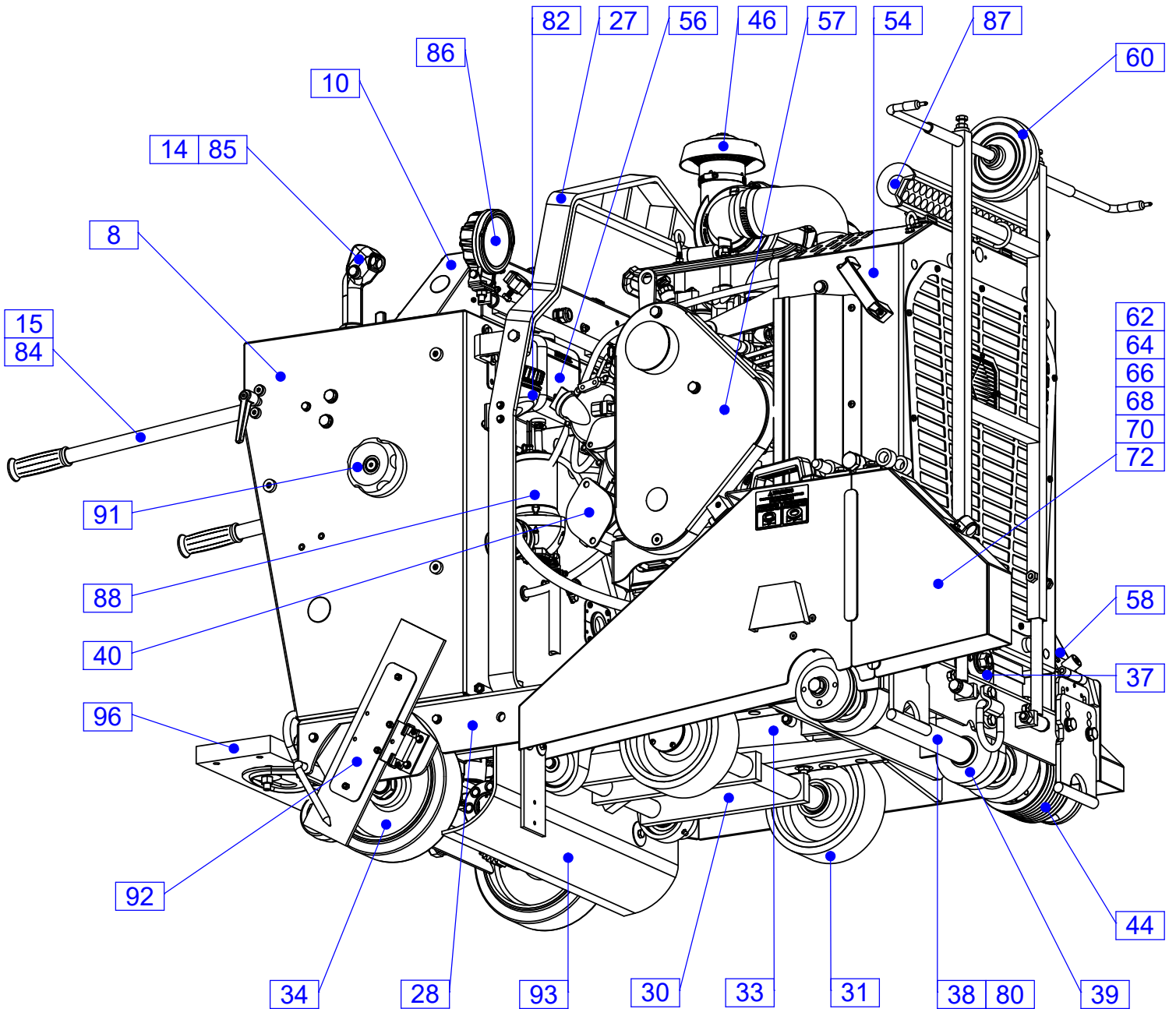

**WARNING**


**The engine exhaust from this product contains chemicals known to the State of California to cause cancer, birth defects or other reproductive harm.**

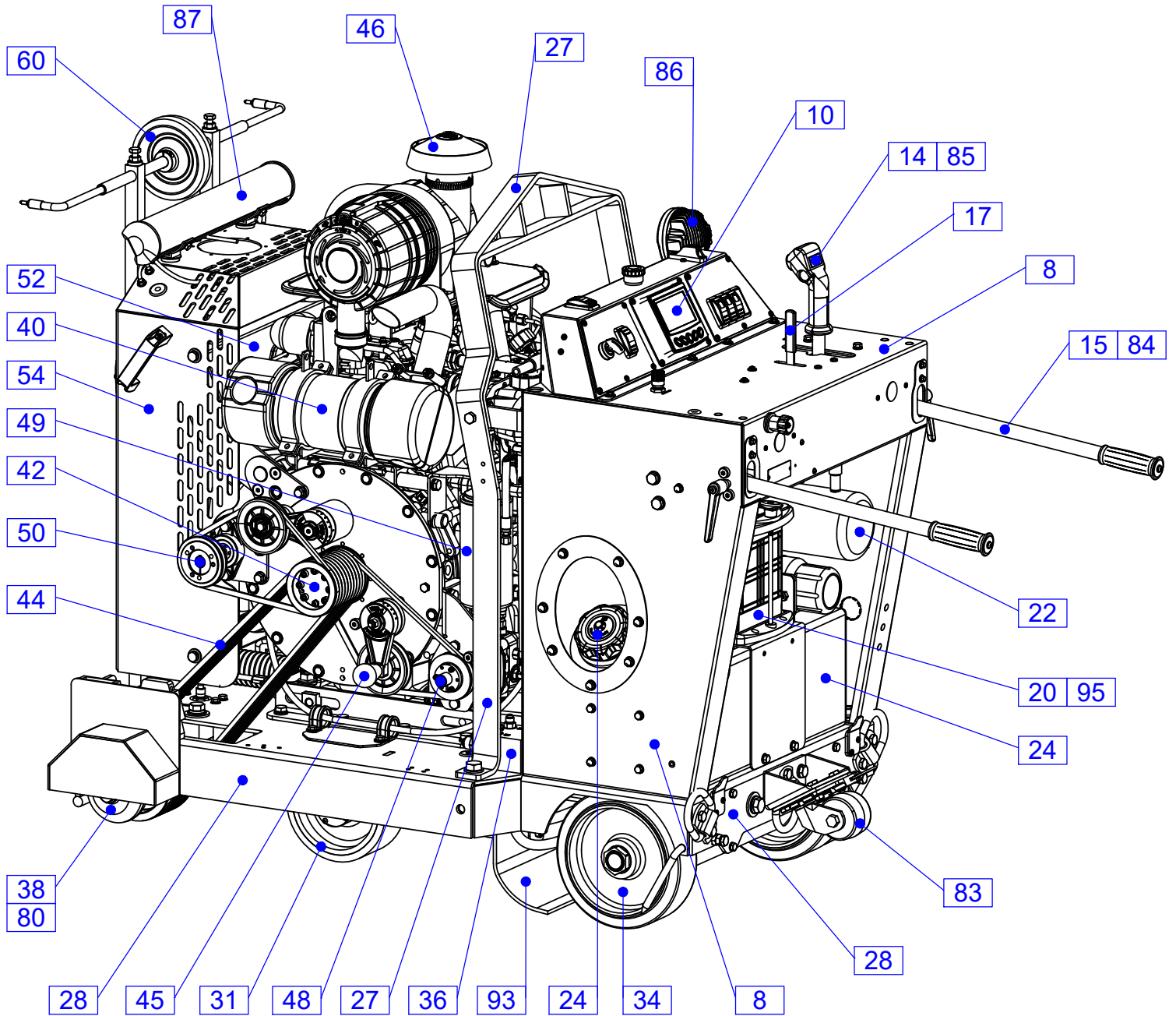
## Table of Contents

Pictorial Page Index.....	4,5	Fan Drive Assembly.....	50,51
Controls Legend.....	6	Radiator Assembly.....	52,53
Quick Reference Service Filters/Belts/Fluids	7	Radiator Shroud Assembly.....	54,55
Frame Upright Assembly.....	8,9	Coolant Tank Assembly.....	56
Display Dash Assembly.....	10,11	Engine Belt Guard Assembly.....	57
Speed Control Lever Assembly.....	12,13	Belt Guard Assembly.....	58,59
Control Grip Assembly (2 button).....	14	Dual Front Pointer Assembly.....	60
Handle Bar Assembly (3 position).....	15	14" Blade Guard Assembly.....	62,63
(Blank).....	16	20" Blade Guard Assembly.....	64,65
Water Supply Assembly.....	17	26" Blade Guard Assembly.....	66,67
ECM Assembly.....	18	30" Blade Guard Assembly.....	68,69
Power Block Assembly.....	19	36" Blade Guard Assembly.....	70,71
Battery Assembly.....	20,21	42" Blade Guard Assembly.....	72,73
Hydraulic Lift Pump Assembly.....	22	Blade Stacking Kit (up to 1-1/2").....	74,75
Rear Cover Screen Assembly.....	23	Blade Spacing Kit (up to 2").....	76,77
Fuel Tank Assembly.....	24	Blade Spacing Kit (up to 4").....	78,79
Fuel Supply Assembly.....	25	Oil Bath Blade Shaft Assembly.....	80,81
Fuel Cooler Assembly.....	26	Filler Spout Assembly.....	82
Frame Lift Assembly.....	27	Bogie Wheel Assembly.....	83
Frame Base Assembly.....	28,29	Power Handle Bar Assembly.....	84
Front Axle Assembly.....	30	Control Grip Assembly (3 button).....	85
Front Wheel Assembly.....	31	LED Spot Light Assembly.....	86
Rotary Sensor Assembly.....	32	LED Light Bar Assembly.....	87
Hydraulic Cylinder Assembly.....	33	Water Pump Assembly.....	88
Rear Axle Drive Assembly.....	34,35	Auto Water System Kit.....	89
Valve Block Assembly.....	36	Water Pressure Switch Kit.....	90
Belt Tensioner Assembly.....	37	Blade Storage Assembly.....	91
Blade Shaft Assembly.....	38	Slurry Shield Assembly.....	92
Shaft Tach Assembly.....	39	Slurry Flap Assembly.....	93
Engine Assembly.....	40,41	Rope Recoil Assembly.....	94
PTO Assembly.....	42,43	Max Battery Assembly.....	95
Belt Drive Assembly.....	44	Weight Kit.....	96
Rotary Tensioners Assembly.....	45	Decal Group.....	97
Air Intake Assembly.....	46,47	Wiring Diagram.....	98
Hydro Pump Assembly.....	48	Blade Speed Conversion Charts.....	99
Reservoir Tank Assembly.....	49	Warranty.....	100

# Pictorial Page Index



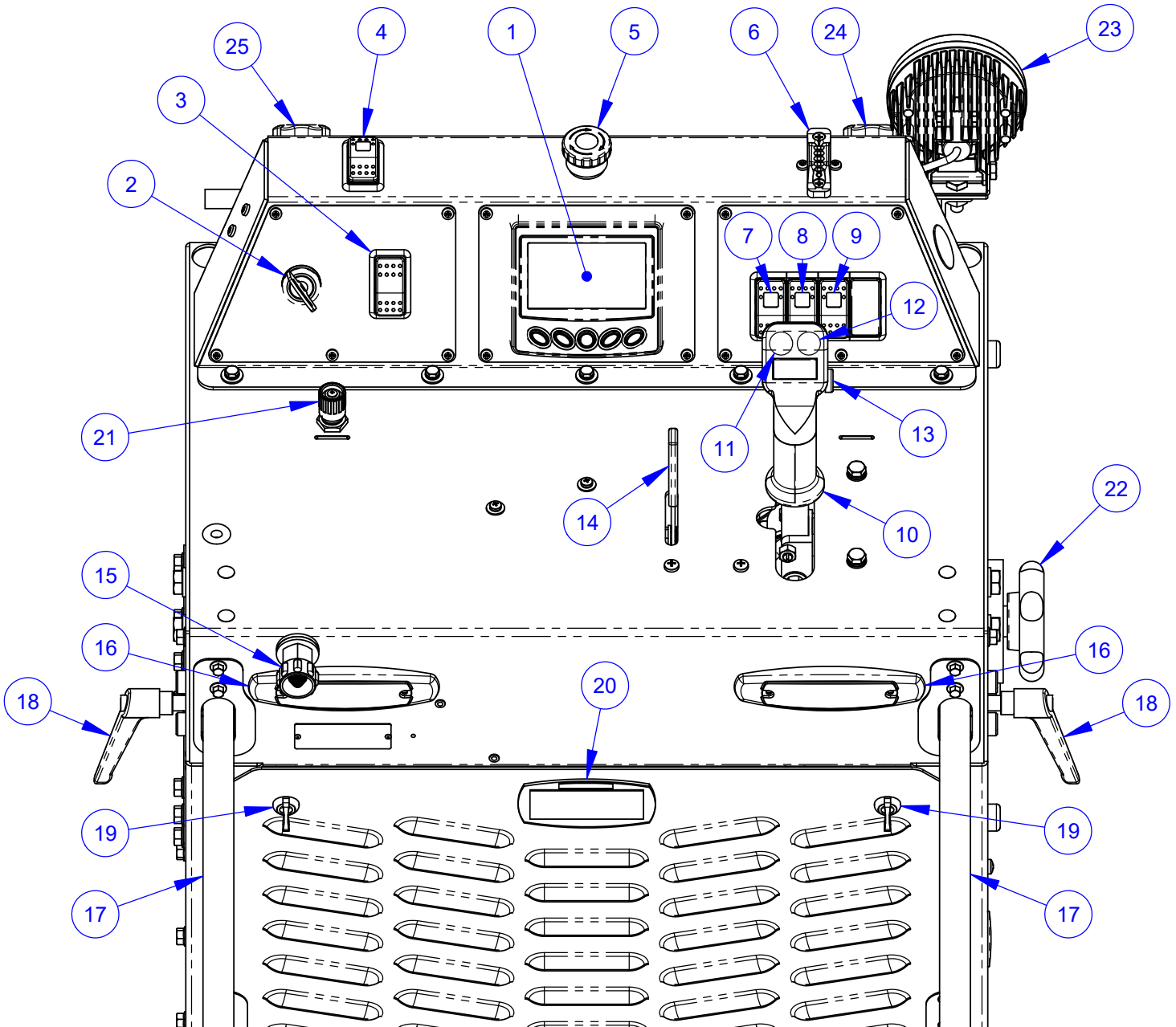
# Pictorial Page Index



## Controls Legend

1	Engine Display Panel
2	Ignition Switch
3	Engine Throttle Rocker Switch
4	Free Wheel Rocker Switch
5	Emergency Stop Button
6	Pointer Rope Cleat
7	LED Spot Light Switch (Optional)
8	LED Light Bar Switch (Optional)
9	Water Pump Switch (Optional)
10	Travel Speed Control Lever
11	Saw Raise Push Button
12	Saw Lower Push Button

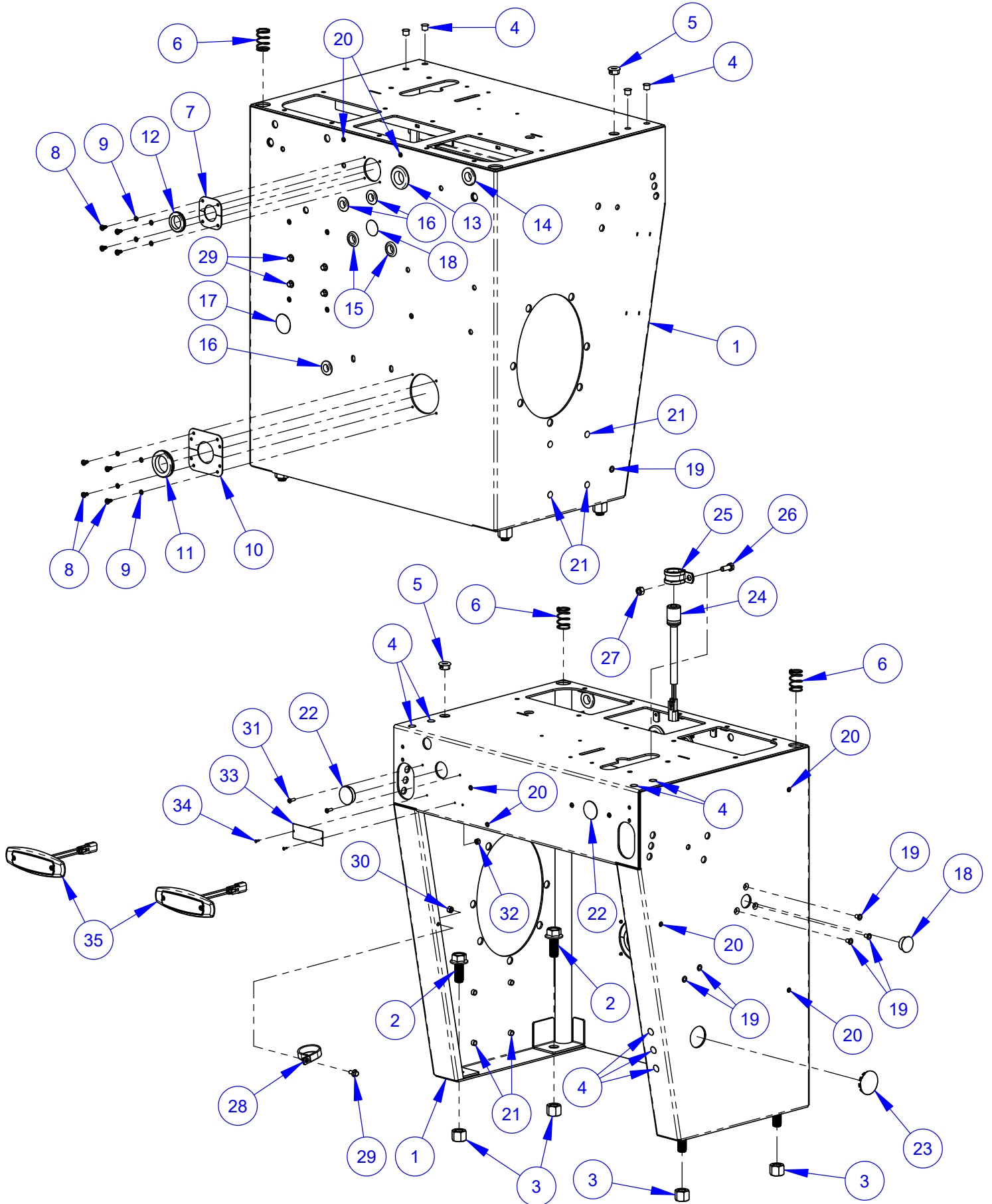
13	Tilt Handle Bar Button (Optional)
14	Water On/Off Control Valve
15	Water Inlet Attachment Fitting
16	LED Marker Light (Optional)
17	Adjustable Handle Bar
18	Handle Bar Lock Lever
19	Rear Cover Screen Latch
20	Rear Cover Screen Pull Handle
21	Lowering Speed Control Valve
22	Blade Storage Knob (Optional)
23	LED Spot Light (Optional)
24	Spot Light Adjustment Knob



## Quick Reference Service Filters / Belts / Fluids

<b>DP Part No.</b>	<b>Description</b>	<b>Manufacturer's Part No.</b>
2704918	Engine Oil Filter	CAT #220-1523
2704937	Engine Fuel Filter Element	CAT #363-5819
2704935	Water Separator Filter Element	CAT #276-1806
2501386	Outer Primary Air Filter	Donaldson #P827653
2501387	Inner Safety Air Filter	Donaldson #P829332
2500188	14" & 20" Blade Shaft Belt	Gates #3VX560
2503849	26" & 30" Blade Shaft Belt	Gates #3VX570
2503683	36" Blade Shaft Belt	Gates #3VX580
2503684	42" Blade Shaft Belt	Gates #3VX600
2505305	Engine to Hydro Pump Belt	Gates #3VX350
2500034	Engine to Fan Drive Belt	Gates #3VX315
2500468	Engine Oil (10 Quarts)	SAE 15W-40 (API CJ-4)
2503719	Engine Coolant (3 Gallons)	Antifreeze (Pre-mixed 50/50)
2500468	Lift Pump Fluid (1.5 Quarts)	SAE 15W-40
2500468	Wheel Motors / Pump Fluid (2 Quarts)	SAE 15W-40
2503930	Right Angle Fan Drive (5 ounces)	SAE 75W-90 Synthetic
2500219	Optional Blade Shaft Fluid (2.5 Quarts)	Automatic Transmission Fluid (ATF)

# Frame Upright Assembly #6001020



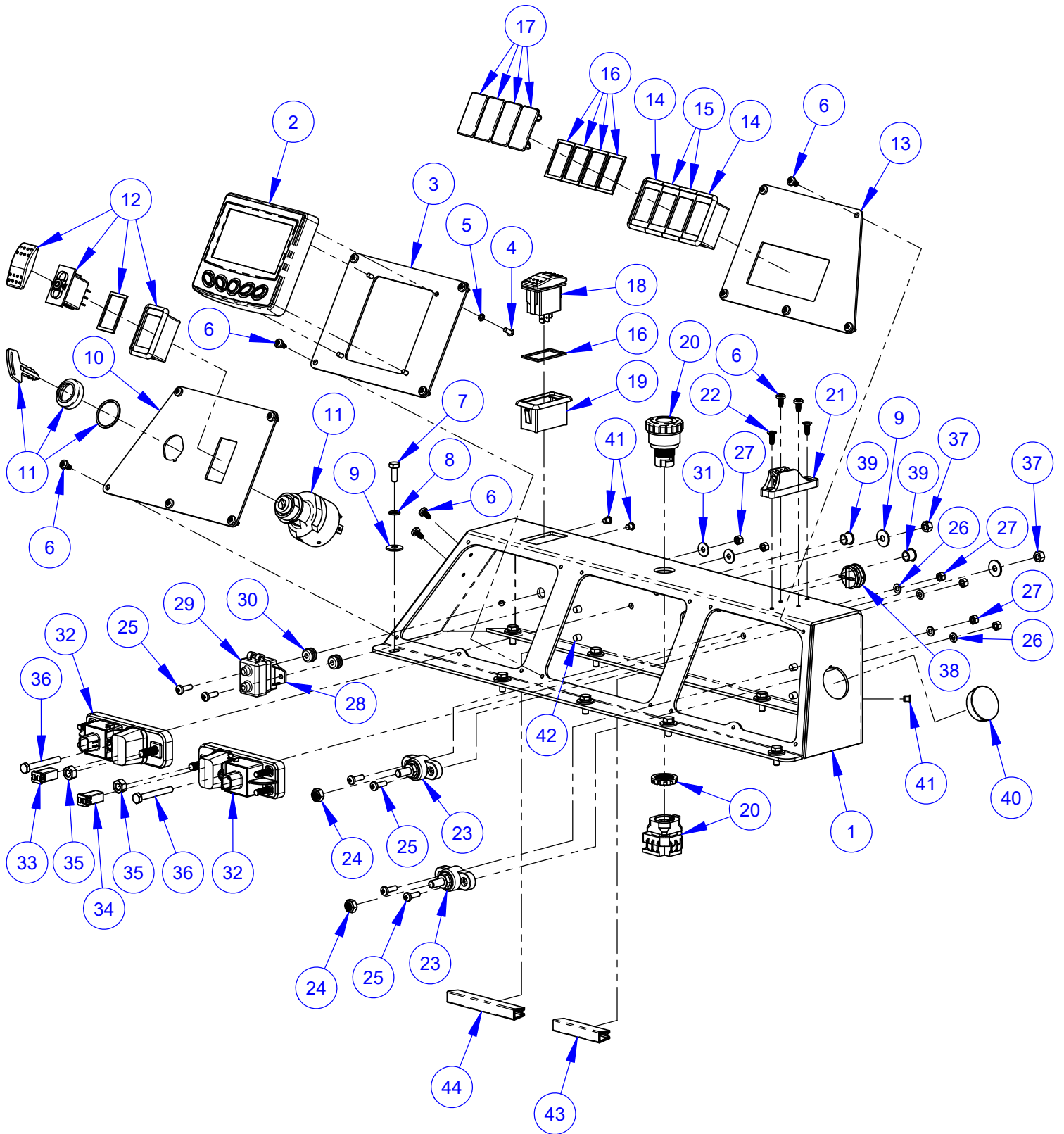


## Frame Upright Assembly #6001020

ITEM	PART NO.	QTY.	DESCRIPTION
1	6001220	1	Frame Upright
2	2900164	4	Cap Screw, Flange Hd., 5/8-11 x 1-1/2"
3	2900135	4	Lock Nut, 5/8-11 Nylon
4	2501287	7	Plug, 7/16" Hole
5	2506084	1	Snap Bushing, 3/4" Hole
6	2505313	2	Spring, Compression
7	6019271	2	Split Grommet Plate
8	2900021	8	Tap Screw, Pan Hd., #10-24 x 3/8"
9	2900038	8	Lock Washer, #10 Split
10	6017480	2	Split Grommet Plate
11	2506049	1	Grommet, 1-5/16" I.D.
12	2506040	1	Grommet, 1" I.D.
13	2504455	1	Grommet, 1" I.D.
14	2508018	1	Grommet, 11/16" I.D.
15	2508013	2	Grommet, 5/8" I.D.
16	2503712	3	Grommet, 9/16" I.D.
17	2506087	1	Plug, 1-3/8" Hole
18	2500489	2	Plug, 1" Hole
19	2503744	6	Plug, 1/4" Hole (Tapered)
20	2500652	7	Plug, M6 Hole
21	2500462	4	Plug, 3/8" Hole
22	2501146	2	Plug, 1-1/4" Hole
23	2506097	1	Plug, 1-5/8" Hole
24	6063161	1	Capacitor Assembly
25	3201729	1	Hose Clamp, 1" x 3/4" Wide
26	2900329	1	Cap Screw, Hex Hd., M8-1.25 x 20mm
27	2900303	1	Lock Nut, M8-1.25 Nylon Insert
28	2504940	1	Clamp, 1-1/2" Loop
29	2901370	5	Cap Screw, Hex Flange, M6-1.0 x 12mm
30	2900302	1	Lock Nut, M6-1.0 Nylon Insert
31	2900838	4	Machine Screw, Pan Hd., #8-32 x 1/2"
32	2900115	2	Lock Nut, #8-32 Nylon
33	1800169	1	Serial Number Plate, US
34	2900096	2	Rivet, 3/32" Dia.

<b>Optional Marker Lamp Kit #6001083</b>			
ITEM	PART NO.	QTY.	DESCRIPTION
35	6016222	2	Marker Lamp (Red)

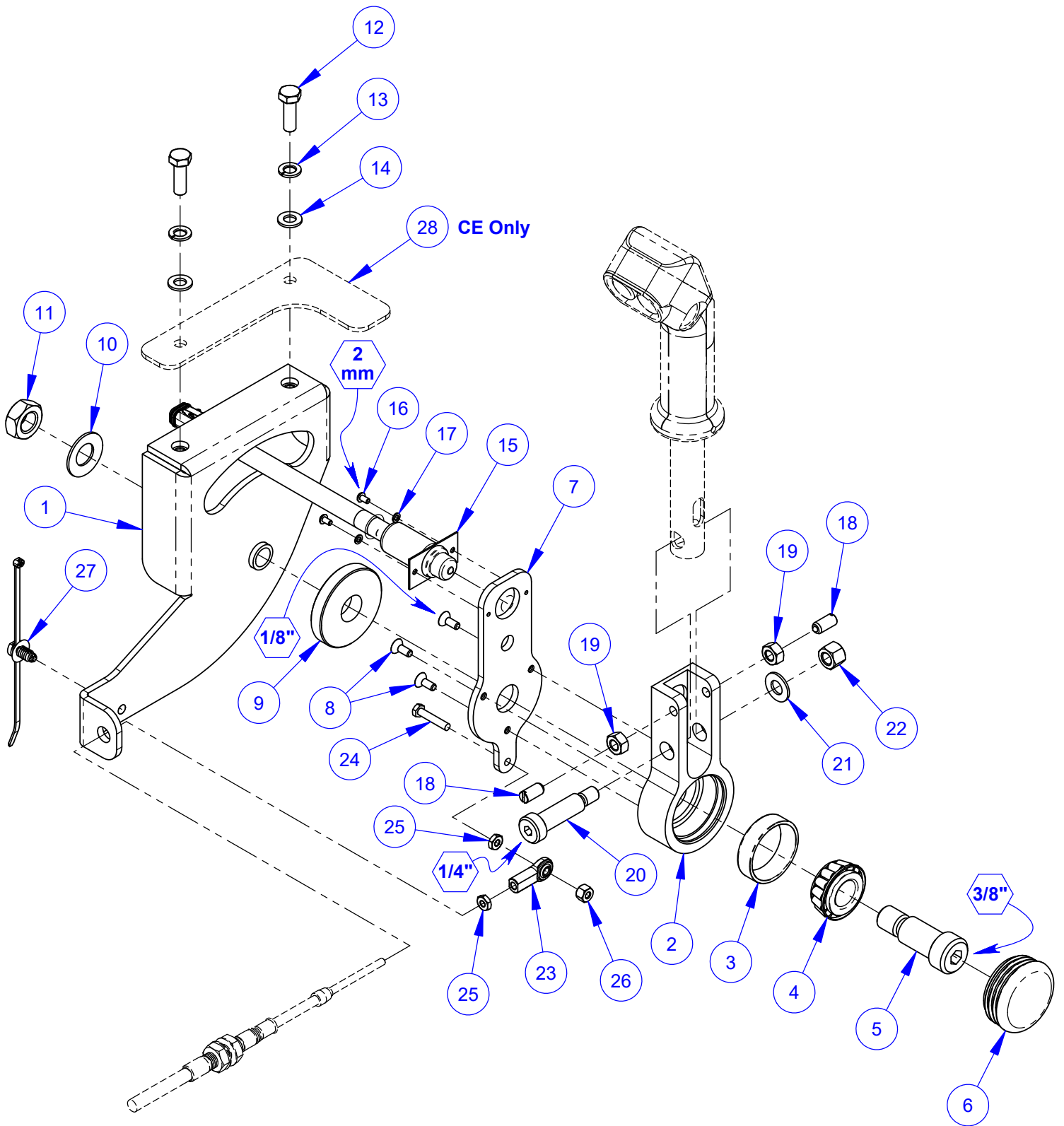
# Display Dash Assembly #6001021



## Display Dash Assembly #6001021

ITEM	PART NO.	QTY.	DESCRIPTION
1	6001221	1	Display Dash
2	2801040	1	Murphy 4.3" Display
3	6001222	1	Display Panel
4	2900114	4	Machine Screw, Rd. Hd., #8-32 x 3/8"
5	2900677	4	Lock Washer, #8 Split
6	2900021	18	Tap Screw, Pan Hd., #10-24 x 3/8"
7	2900341	10	Cap Screw, Hex Hd., M6-1.0 x 16mm
8	2900765	10	Lock Washer, M6 Split
9	2901359	12	Fender Washer, M6
10	6016136	1	Dash Panel (Left)
11	2705001	1	Ignition Switch & Keys
	2705000	1	Ignition Keys Only (Pair)
12	6019158	1	Rocker Switch Assembly
13	6016134	1	Dash Panel (Right)
14	2800615	2	Rocker Mount End Panel
15	2800616	2	Rocker Mount Middle Panel
16	2800261	5	Rocker Panel Gasket
17	2800262	4	Rocker Mount Panel Plug
18	2800808	1	Rocker Switch
19	2800260	1	Rocker Mount Panel
20	2801367	1	E-Stop Switch
21	2506072	1	Rope Cleat
22	2900445	2	Tap Screw, Flat Hd., #10-24 x 1/2"
23	2801545	2	Ground Stud Block (Black) 5/16-18
24	2901884	2	Jam Locknut, 5/16-18" Nylon
25	2902122	6	Machine Screw, Pan Hd., M5-0.8 x 16mm
26	2900926	4	Flat Washer, M5
27	2900301	6	Lock Nut, M5-0.8 Nylon Insert
28	2801276	1	Circuit Breaker, 50 Amp
29	2800364	1	Circuit Breaker Boot
30	2506028	2	Grommet, 3/16" I.D.
31	2900770	2	Fender Washer, M5
32	2802240	2	Fuse/Relay Module
33	2802345	1	Jcase Fuse, 40A (Green)
34	2802275	1	Jcase Fuse, 60A (Yellow)
35	2900343	2	Hex Nut, M8-1.25
36	2901355	2	Cap Screw, Hex Hd., M6-1.0 x 50mm
37	2900302	2	Lock Nut, M6-1.0 Nylon Insert
38	2505345	1	Plug, Hole
39	2501287	2	Plug, 7/16" Hole
40	2506087	1	Plug, 1-3/8" Hole
41	2500652	4	Plug, M6 Hole
42	2503744	5	Plug, 1/4" Hole (Tapered)
43	6001372	1	Edge Trim 2-3/4"
44	6001373	1	Edge Trim 4"

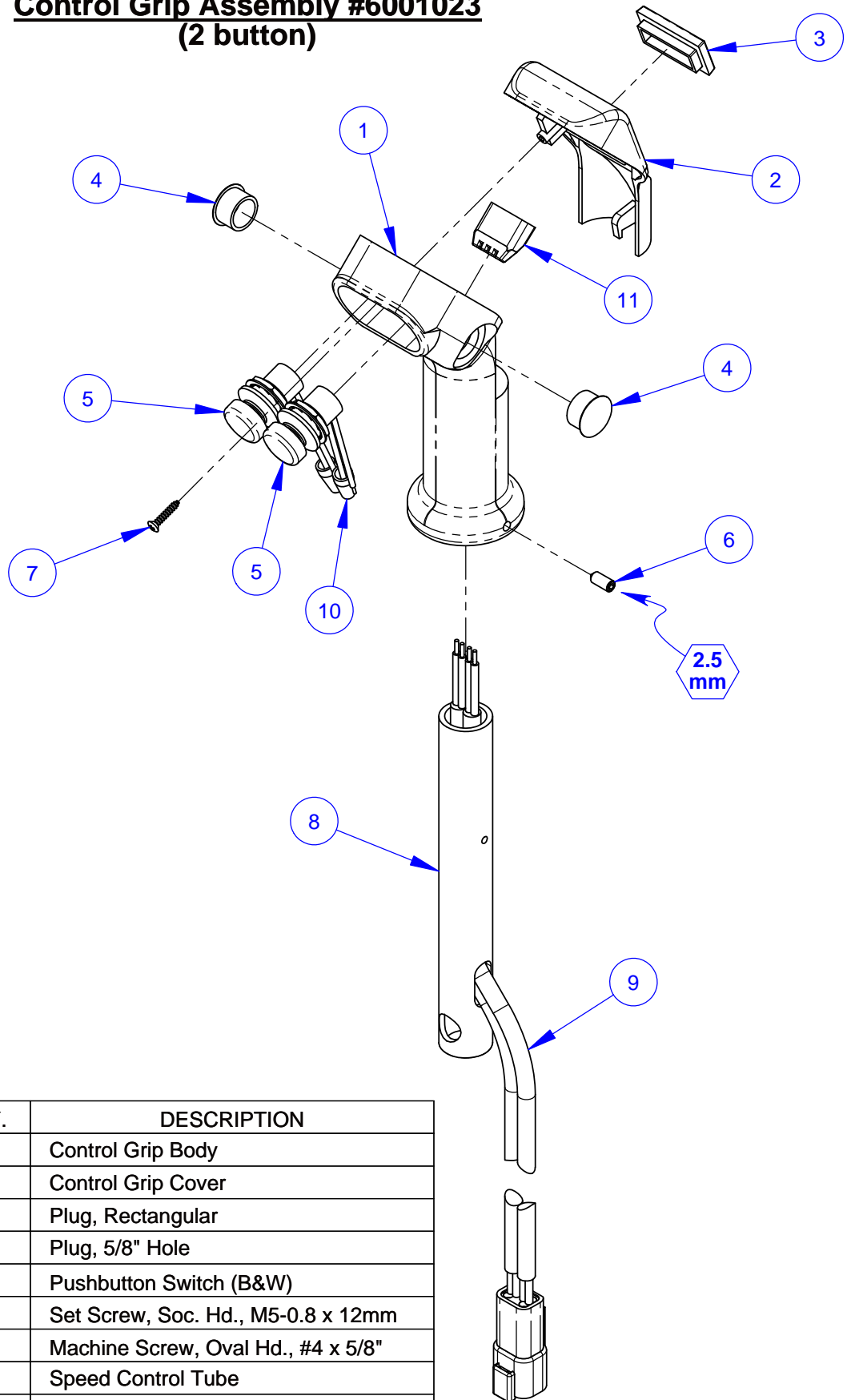
# Speed Control Lever Assembly #6001022



## Speed Control Lever Assembly #6001022

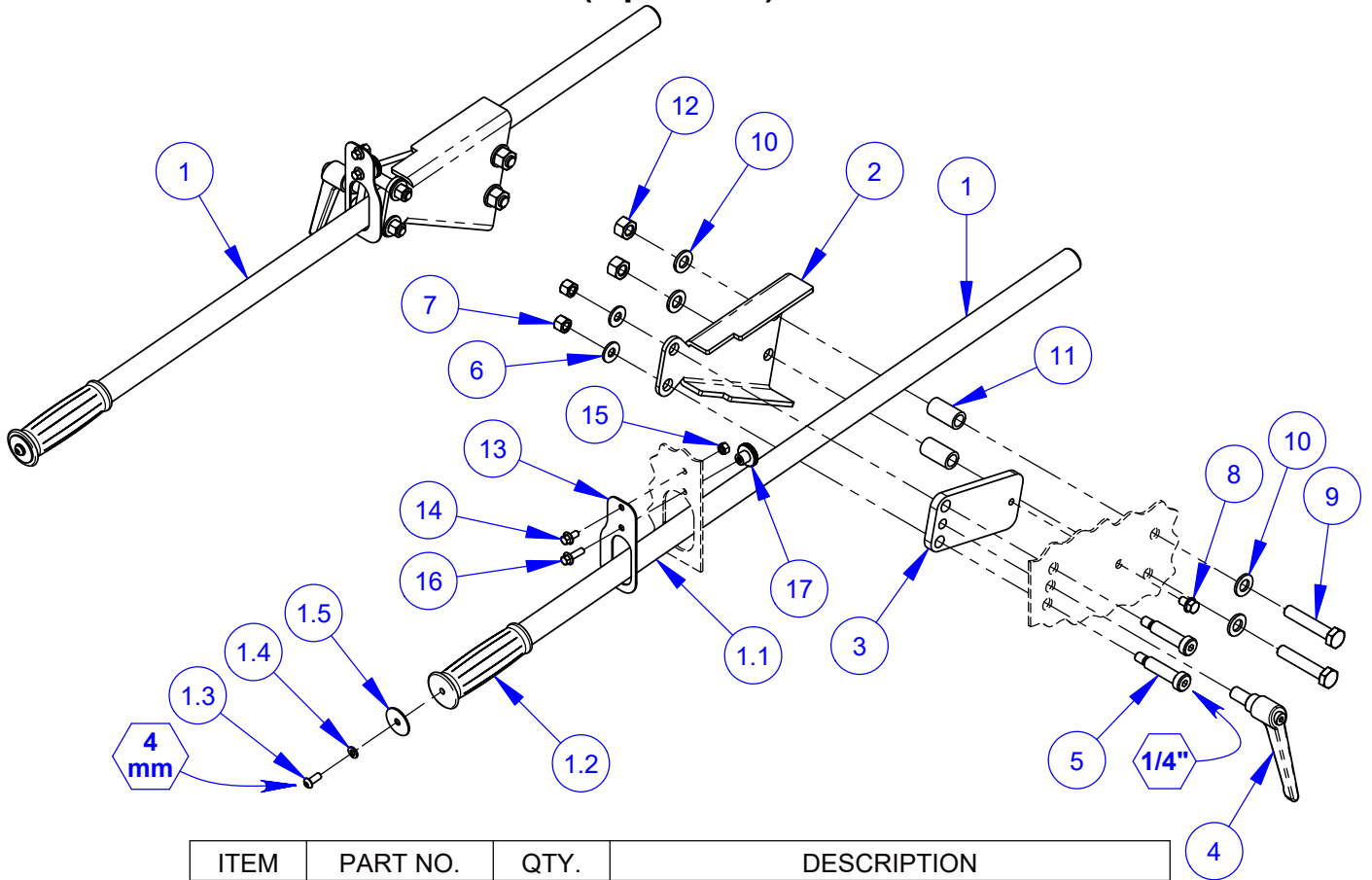
ITEM	PART NO.	QTY	DESCRIPTION
1	6017384	1	Speed Control Frame
2	6017023	1	Pivot Housing
3	2502384	1	Bearing Cup
4	2502383	1	Bearing Cone
5	2900825	1	Shoulder Screw, 3/4" x 1-1/4" (5/8-11)
6	2502385	1	Grease Cap
7	6001269	1	Swing Arm
8	2900978	3	Cap Screw, Flat Hd., #10-24 x 1/2"
9	6011234	1	Friction Disc, 3/4" x 2-1/4" x 3/8"
10	2900478	1	Belleville Washer, 5/8"
11	2900256	1	Jam Nut, 5/8-11
12	2900360	2	Cap Screw, Hex Hd., M8-1.25 x 25mm
13	2900763	2	Lock Washer, M8 Split
14	2901336	2	Flat Washer, M8
15	6017711	1	Neutral Switch Assembly
16	2907098	2	Cap Screw, Button Hd., #6-32 x 1/4"
17	2900092	2	Lock Washer, #6 Split
18	2502386	2	Spring Plunger M8
19	2900343	2	Hex Nut, M8-1.25
20	2900826	1	Shoulder Screw, 1/2" x 1-1/2" (3/8-16)
21	2900014	1	Flat Washer, 3/8" SAE
22	2900018	1	Locknut, 3/8-16, Nylon
23	2500791	1	Rod End, #10-32 Female
24	2900687	1	Machine Screw, Hex Hd., #10-32 x 1"
25	2900188	2	Hex Nut, #10-32
26	2900688	1	Lock Nut, #10-32 Nylon
27	2800916	1	Anchor Mount Zip Tie
28	6017319	1	Limiter Plate (CE)

## Control Grip Assembly #6001023 (2 button)



ITEM	PART NO.	QTY.	DESCRIPTION
1	2501280	1	Control Grip Body
2	2501281	1	Control Grip Cover
3	2500644	1	Plug, Rectangular
4	2500694	2	Plug, 5/8" Hole
5	2800373	2	Pushbutton Switch (B&W)
6	2900453	1	Set Screw, Soc. Hd., M5-0.8 x 12mm
7	2900452	1	Machine Screw, Oval Hd., #4 x 5/8"
8	6017025	1	Speed Control Tube
9	6016268	1	Control Grip Harness
10	2800002	2	Wire Nut (Grey)
11	2801494	1	Connector, 4 Port

## Handle Bar Assembly #6001024 (3 position)

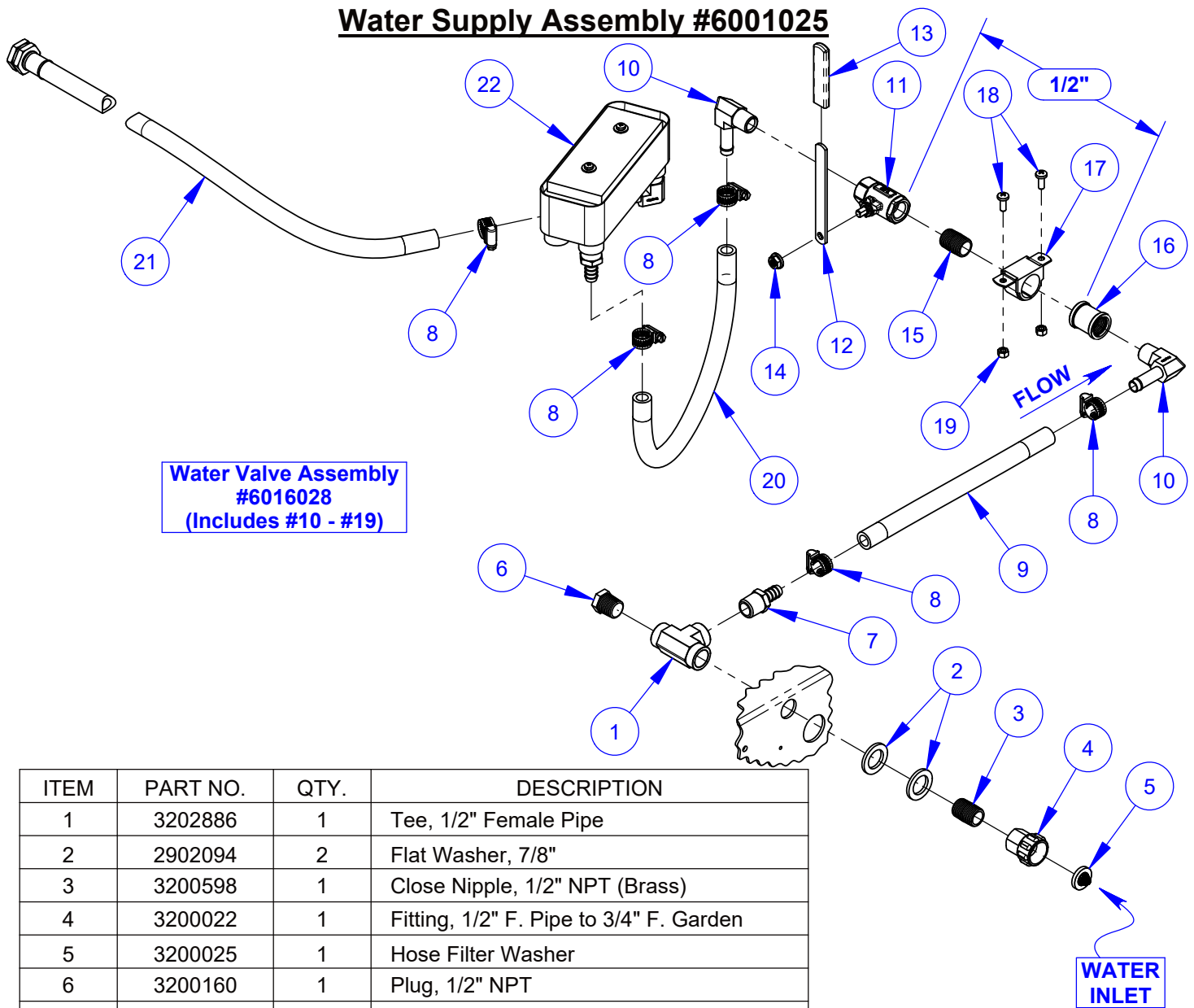


ITEM	PART NO.	QTY.	DESCRIPTION
1	6001069	2	Handle Bar Unit
1.1	6010014	1	Handle Bar, 36" Long
1.2	2500636	1	Handle Grip
1.3	2900863	1	Cap Screw, Button Hd., 1/4-20 x 5/8"
1.4	2900024	1	Lock Washer, 1/4" Split
1.5	2900083	1	Fender Washer, 1/4" x 1-1/4"
2	6001223	2	Handle Holder Guide
3	6001224	2	Handle Clamp Plate
4	2502390	2	Adjustable Lever 1/2-13 x 1"
5	2900260	4	Shoulder Screw, 1/2" x 1-3/4" (3/8"-16)
6	2900567	4	Flat Washer, 5/16" USS
7	2900018	4	Locknut, 3/8-16, Nylon
8	2902071	2	Cap Screw, Hex Flange, M8-1.25 x 12mm
9	2900359	4	Cap Screw, Hex Hd., M12-1.75 x 65mm
10	2901357	8	Flat Washer, M12
11	6001225	4	Handle Guide Tube
12	2900327	4	Lock Nut, M12-1.75 Nylon Insert
13	6001226	2	Handle Gate Plate
14	2901370	2	Cap Screw, Hex Flange, M6-1.0 x 12mm
15	2900302	2	Lock Nut, M6-1.0 Nylon Insert
16	2900328	2	Cap Screw, Hex Flange, M6-1.0 x 20mm
17	2902428	2	Nut, M6 Knurled

(BLANK)



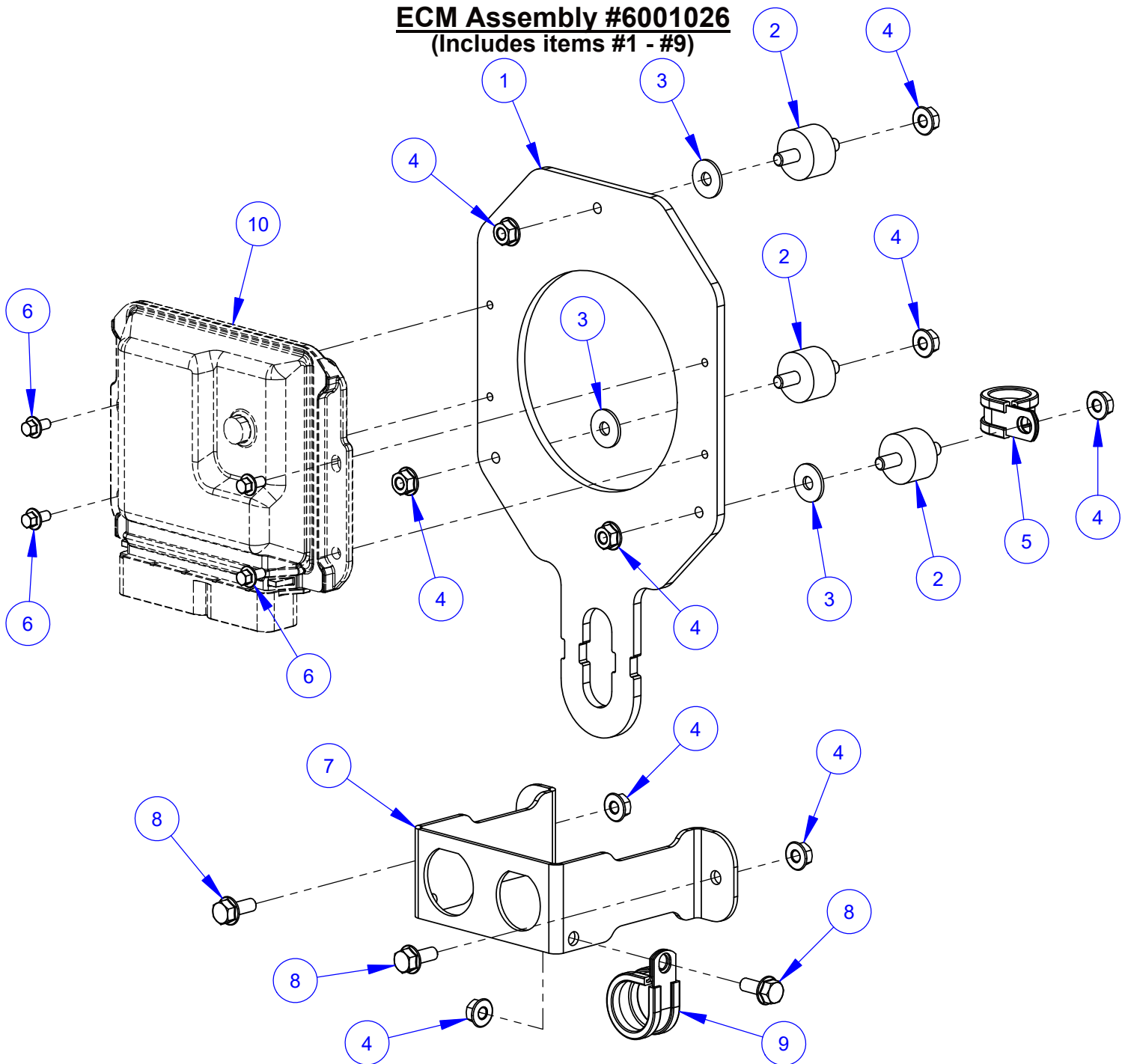
## Water Supply Assembly #6001025



**Water Valve Assembly  
#6016028  
(Includes #10 - #19)**

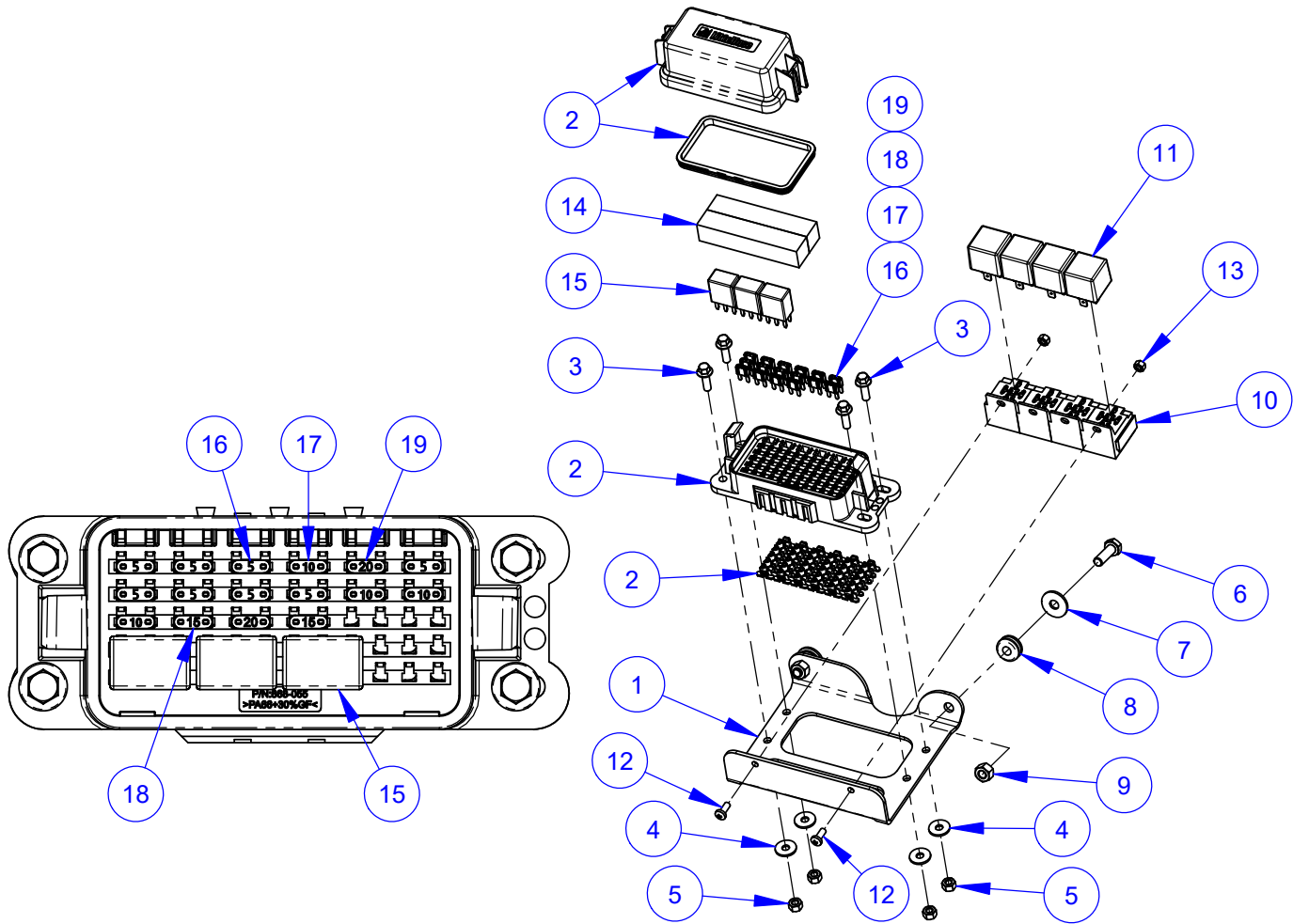
ITEM	PART NO.	QTY.	DESCRIPTION
1	3202886	1	Tee, 1/2" Female Pipe
2	2902094	2	Flat Washer, 7/8"
3	3200598	1	Close Nipple, 1/2" NPT (Brass)
4	3200022	1	Fitting, 1/2" F. Pipe to 3/4" F. Garden
5	3200025	1	Hose Filter Washer
6	3200160	1	Plug, 1/2" NPT
7	3200020	1	Fitting, 1/2" M. Pipe to 1/2" Hose Barb
8	3200016	5	Hose Clamp #8
9	6001276	1	Water Hose, 1/2" I.D. x 11"
10	3201740	2	Elbow, 1/2" M. Pipe to 1/2" Hose Bead
11	3202887	1	Water Valve
12	6016139	1	Water Valve Handle
13	2506079	1	Handle Cover
14	2902086	1	Hex Flange Nut, 5/16-24
15	3200699	1	Close Nipple, 1/2" BSPT
16	3202468	1	Coupling, 1/2" NPT
17	3202835	1	Hose Clamp
18	2901368	2	Machine Screw, Pan Hd., M6-1.0 x 16mm
19	2900302	2	Lock Nut, M6-1.0 Nylon Insert
20	6016239	1	Water Hose, 1/2" I.D. x 16"
21	6001315	1	Hose Assembly 1/2" x 64"
22	6001034	1	Fuel Cooler Assembly

**ECM Assembly #6001026**  
 (Includes items #1 - #9)



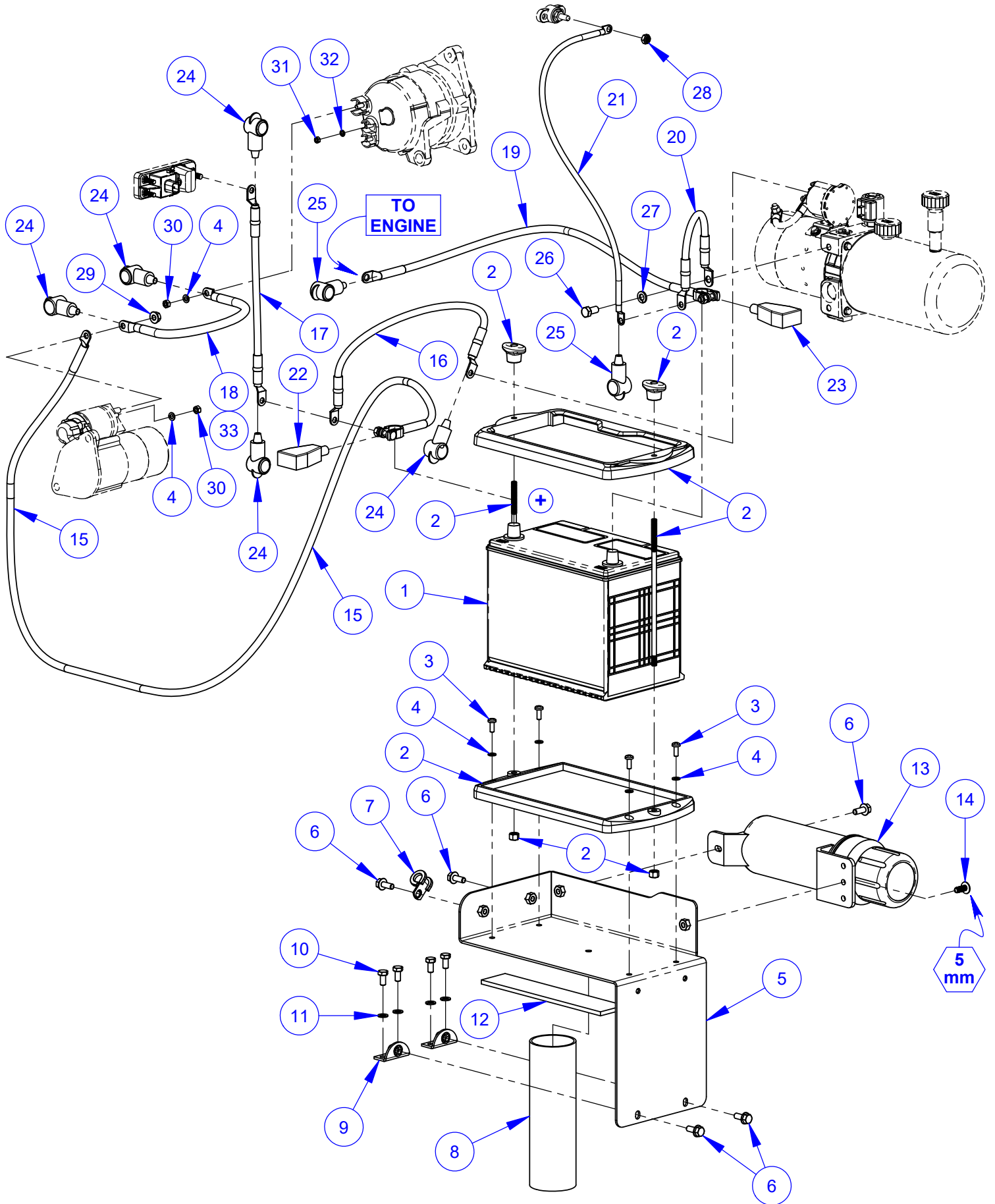
ITEM	PART NO.	QTY.	DESCRIPTION
1	6001209	1	ECM Mounting Plate
2	2506038	3	Vibration Isolator M8-1.25
3	2900383	3	Fender Washer, M8
4	2902012	9	Hex Flange Nut, M8-1.25
5	3201729	1	Hose Clamp, 1" x 3/4" Wide
6	2901370	4	Cap Screw, Hex Flange, M6-1.0 x 12mm
7	6001314	1	Connectors Mount Bracket
8	2900634	3	Cap Screw, Hex Flange, M8-1.25 x 20mm
9	2504465	1	Hose Clamp, 1-1/4" x 3/4" Wide
10	2704932	1	Engine Control Module (ECM)

## Power Block Assembly #6001027



ITEM	PART NO.	QTY.	DESCRIPTION
1	6016197	1	Fuse Block Bracket
2	2801521	1	Fuse Block Kit
3	2900328	4	Cap Screw, Hex Flange, M6-1.0 x 20mm
4	2901359	4	Fender Washer, M6
5	2900302	4	Lock Nut, M6-1.0 Nylon Insert
6	2900360	2	Cap Screw, Hex Hd., M8-1.25 x 25mm
7	2900383	2	Fender Washer, M8
8	2506011	2	Grommet, 5/16" I.D.
9	2900303	2	Lock Nut, M8-1.25 Nylon Insert
10	2800834	4	Mini Relay Connector
11	2801660	4	Relay, 40 Amp Mini
12	2900794	2	Machine Screw, Pan Hd., M5-0.8 x 12mm
13	2900301	2	Lock Nut, M5-0.8 Nylon Insert
14	6017491	2	Foam Cushion, 3/4" Thick
15	2801641	3	Relay, 35 Amp Micro
16	2801489	8	Fuse, 5 Amp Mini (Tan)
17	2801439	4	Fuse, 10 Amp Mini (Red)
18	2801440	2	Fuse, 15 Amp Mini (Blue)
19	2801590	2	Fuse, 20 Amp Mini (Yellow)

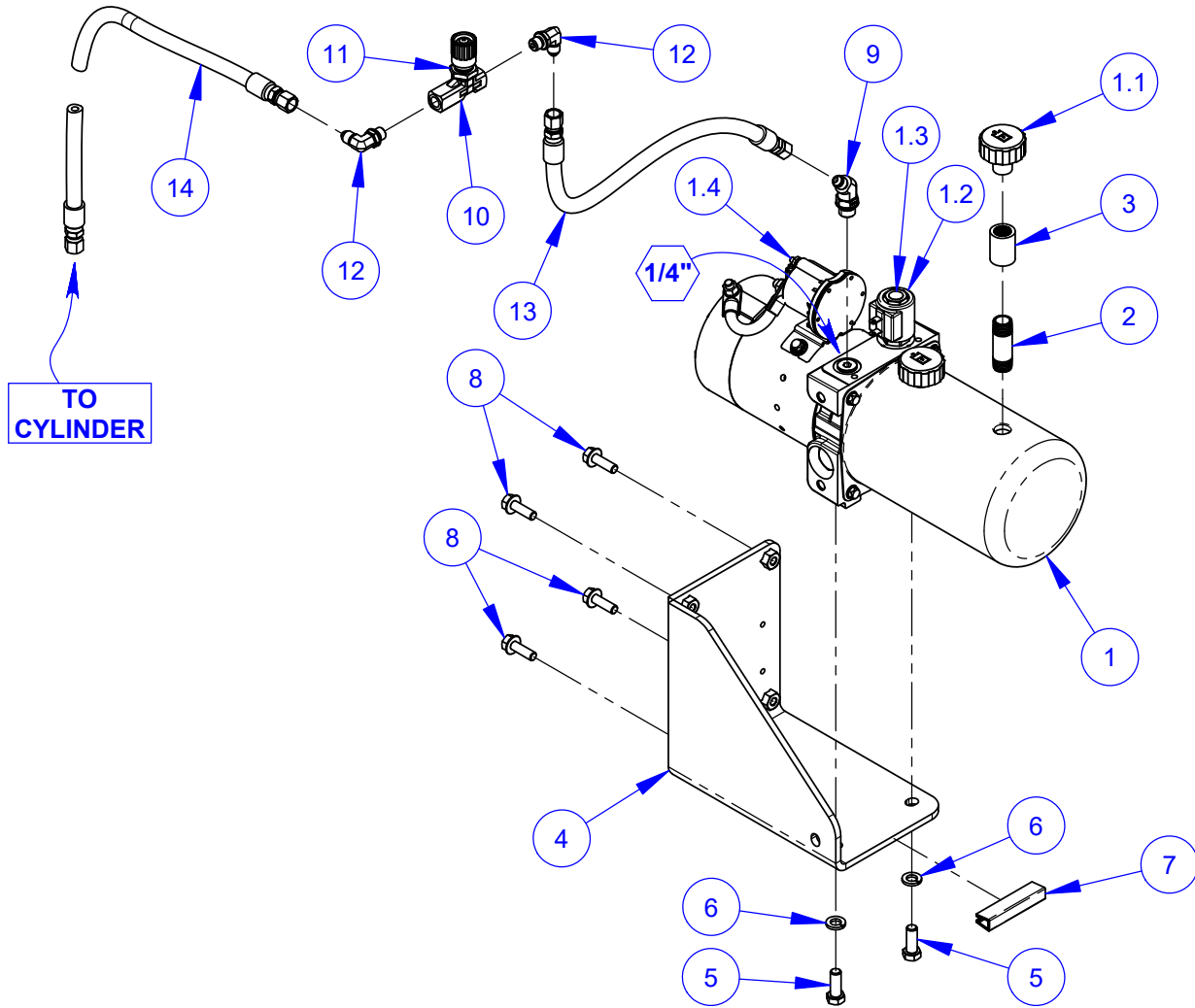
# Battery Assembly #6001028



## **Battery Assembly #6001028**

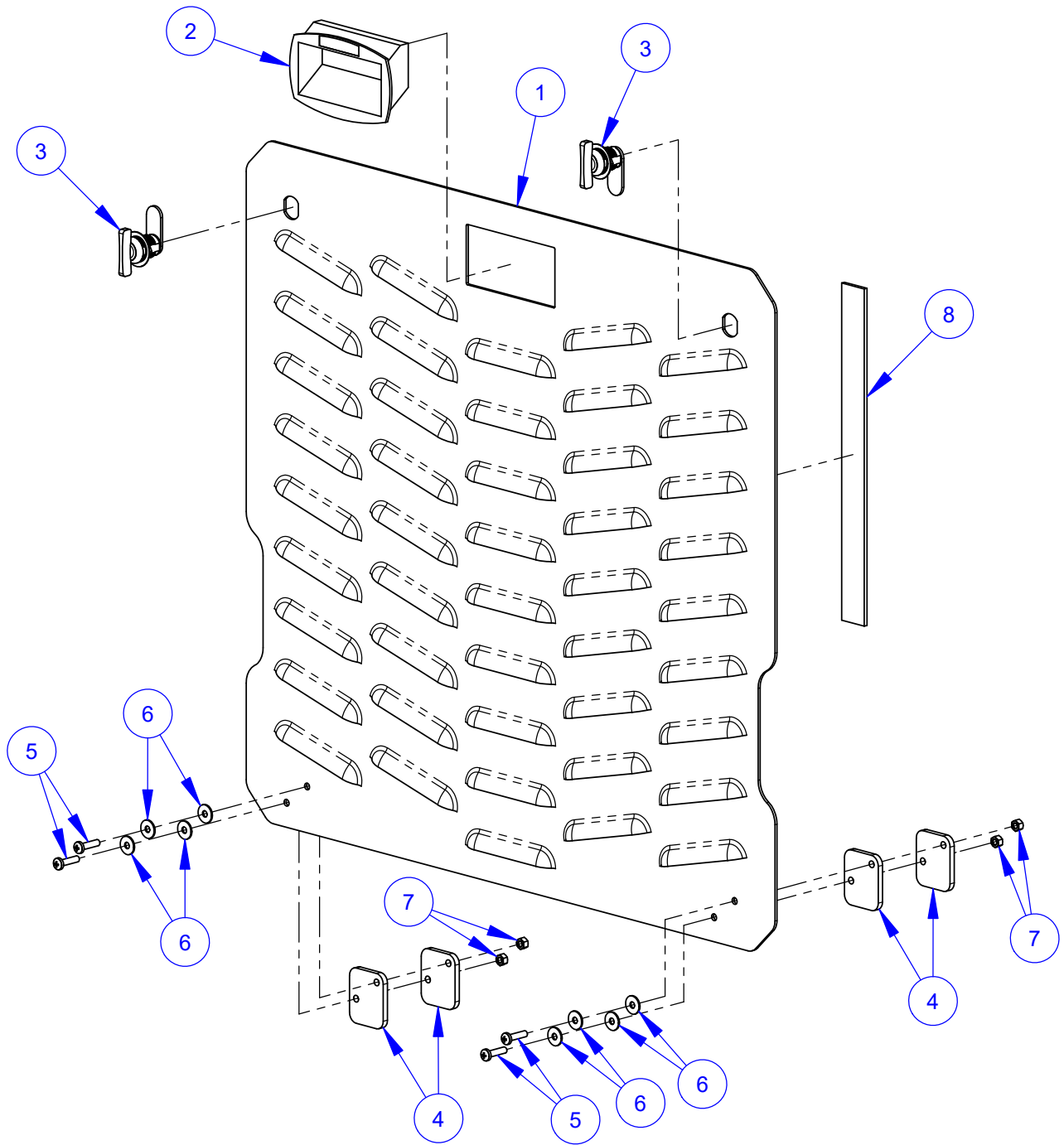
ITEM	PART NO.	QTY.	DESCRIPTION
1	2800465	1	Battery, 12 Volt Group Size 24
2	2503890	1	Battery Hold-Down Tray
	2503890A	1	Battery Tray Base
	2503890B	1	Battery Tray Top
	2503890C	2	Ratchet Knob 5/16-18
	2503890D	2	Tie Rod, 5/16-18
	2900039	2	Lock Nut, 5/16-18 Nylon
3	2901368	4	Machine Screw, Pan Hd., M6-1.0 x 16mm
4	2900765	6	Lock Washer, M6 Split
5	6001230	1	Battery Platform
6	2900634	5	Cap Screw, Hex Flange, M8-1.25 x 20mm
7	2501434	1	Hose Clamp, 5/8" x 3/4" Wide
8	6001338	1	Post Tube
9	6048064	2	Guard Mounting Tab, M8-1.25
10	2900868	4	Cap Screw, Hex Hd., M8-1.25 x 16mm
11	2900763	4	Lock Washer, M8 Split
12	6016176	2	Fuel Tank Pad 10"
13	2505308	1	Storage Canister
14	2902070	1	Cap Screw, Flange Button Hd., M8-1.25 x 20mm
15	2801684	1	Battery Cable, 66" Positive (Red)
16	2801659	1	Solenoid Cable, 18" Positive (Red)
17	2800095	1	Solenoid Cable, 14" Positive (Red)
18	2801298	1	Battery Cable, 14" Positive (Red)
19	2801506	1	Battery Cable, 32" Negative (Black)
20	2800182	1	Ground Cable, 14" Negative (Black)
21	6048092	1	Battery Cable, 31" Negative (Black)
22	2800256	1	Battery Boot, Large (Red)
23	2800257	1	Battery Boot, Large (Black)
24	2800197	5	Battery Boot, Small (Red)
25	2800198	2	Battery Boot, Small (Black)
26	2900196	1	Cap Screw, Hex Hd., 3/8-16 x 3/4"
27	2900006	1	Lock Washer, 3/8" Split
28	2901884	1	Jam Locknut, 5/16-18" Nylon
29	2902012	1	Hex Flange Nut, M8-1.25
30	2900305	2	Hex Nut, M6-1.0
31	2903212	1	Hex Nut, M5-0.8
32	2900767	1	Lock Washer, M5 Split
33	6001348	1	Cable Sleeve 12"

## Hydraulic Lift Pump Assembly #6001029



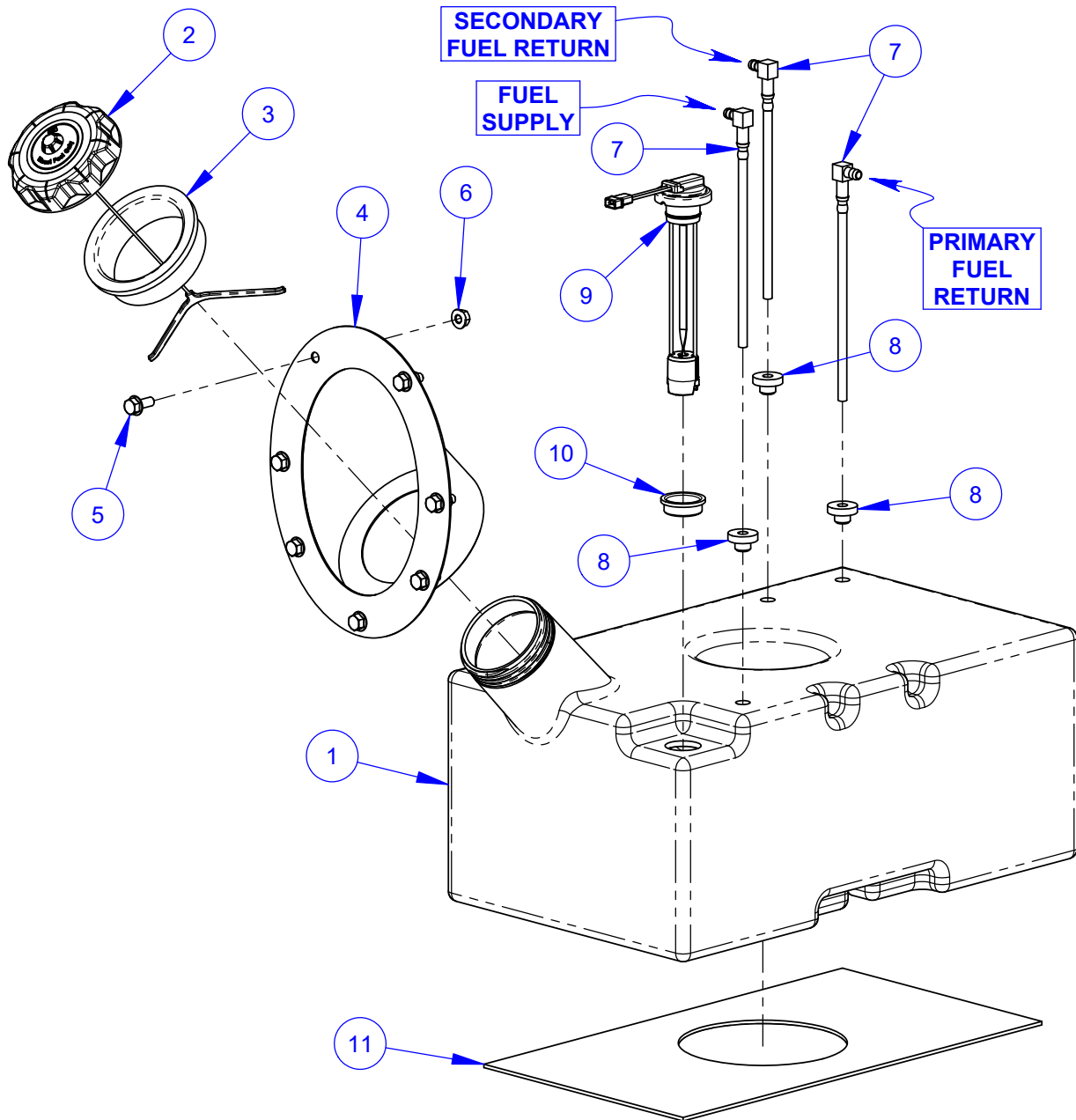
ITEM	PART NO.	QTY.	DESCRIPTION
1	2603370	1	Hydraulic Pump Unit
1.1	2700321	2	Breather Cap
1.2	2700243	1	Valve Coil
1.3	2700244	1	Valve Stem
1.4	2709904	1	Solenoid Start Switch
2	3200123	1	Pipe Nipple, 3/8" NPT x 2"
3	3200120	1	Pipe Coupling, 3/8" NPT
4	6001228	1	Lift Pump Mount Bracket
5	2900005	2	Cap Screw, Hex Hd., 3/8-16 x 1"
6	2900006	2	Lock Washer, 3/8" Split
7	6001372	1	Edge Trim 2-3/4"
8	2901560	4	Cap Screw, Hex Flange, M8-1.25 x 25mm
9	3202942	1	Elbow, 3/8" O-Ring to 1/4" M. JIC (45 deg)
10	3202888	1	Flow Control Valve
11	3202889	1	Panel Mount Nut
12	3200214	2	Elbow, 1/4" M. O-Ring to 1/4" M. JIC
13	6001273	1	Hose Assembly 1/4" x 17"
14	6017287	1	Hose Assembly 1/4" x 54"

## Rear Cover Screen Assembly #6001066



ITEM	PART NO.	QTY.	DESCRIPTION
1	6001208	1	Rear Cover Screen
2	2506086	1	Pull Handle
3	2506080	2	Latch, Door
4	6001333	4	Tab Spacer
5	2901377	4	Machine Screw, Pan Hd., M5-0.8 x 20mm
6	2900770	8	Fender Washer, M5
7	2900301	4	Lock Nut, M5-0.8 Nylon Insert
8	6016195	2	Rubber Strip 11"

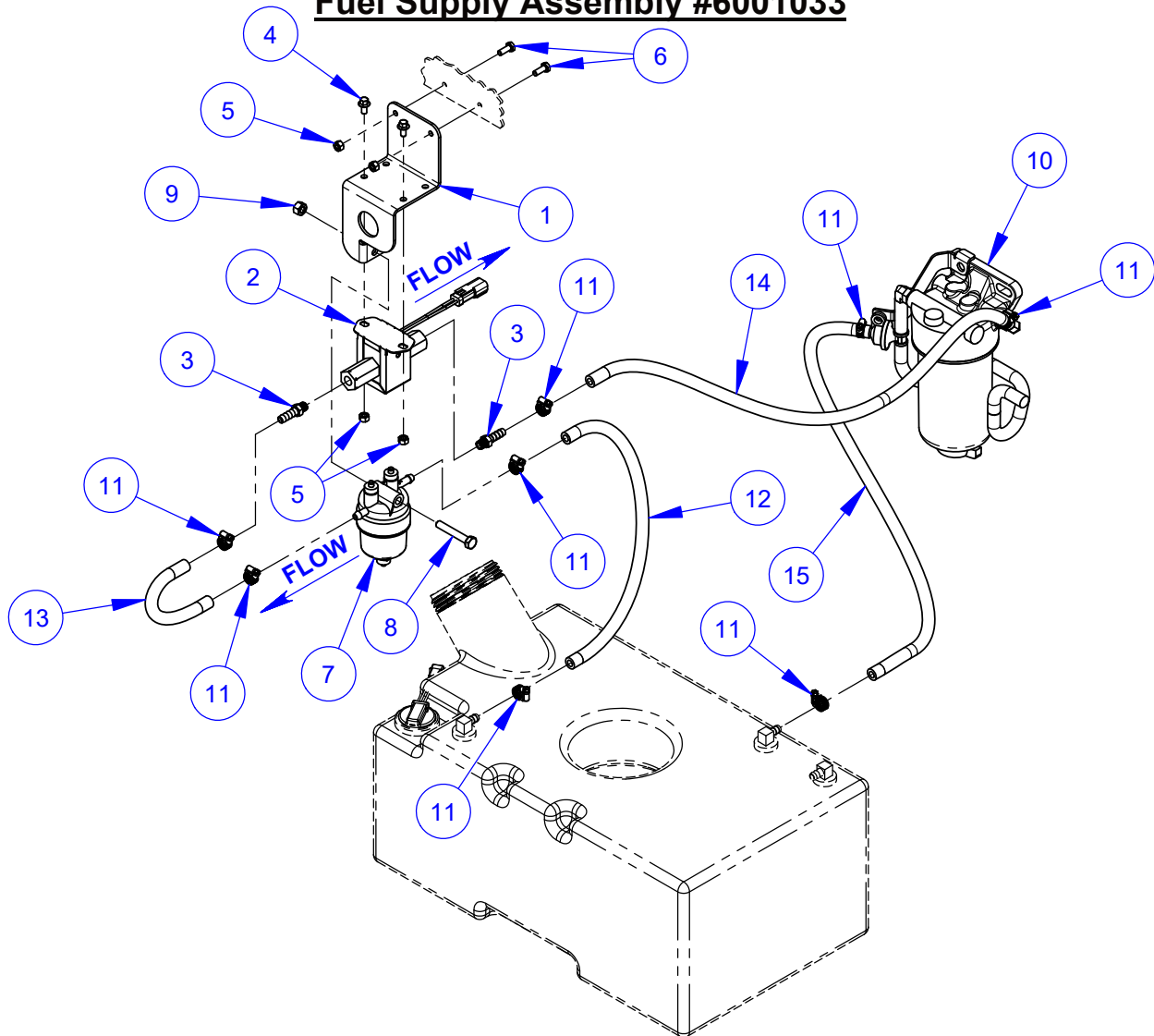
## Fuel Tank Assembly #6001032



ITEM	PART NO.	QTY.	DESCRIPTION
1	6001203	1	Fuel Tank
2	2506074	1	Fuel Tank Cap, Diesel
3	2506082	1	Fuel Tank Grommet
4	6016121	1	Fuel Filler Bezel
5	2900634	7	Cap Screw, Hex Flange, M8-1.25 x 20mm
6	2902012	7	Hex Flange Nut, M8-1.25
7	2503708	3	Tank Elbow with Tube
8	2501215	3	Bushing, Tank (Rubber)
9	2505168	1	Fuel Level Sender 7"
10	2503963	1	Grommet, Fuel Sender
11	6001204	1	Tank Cushion

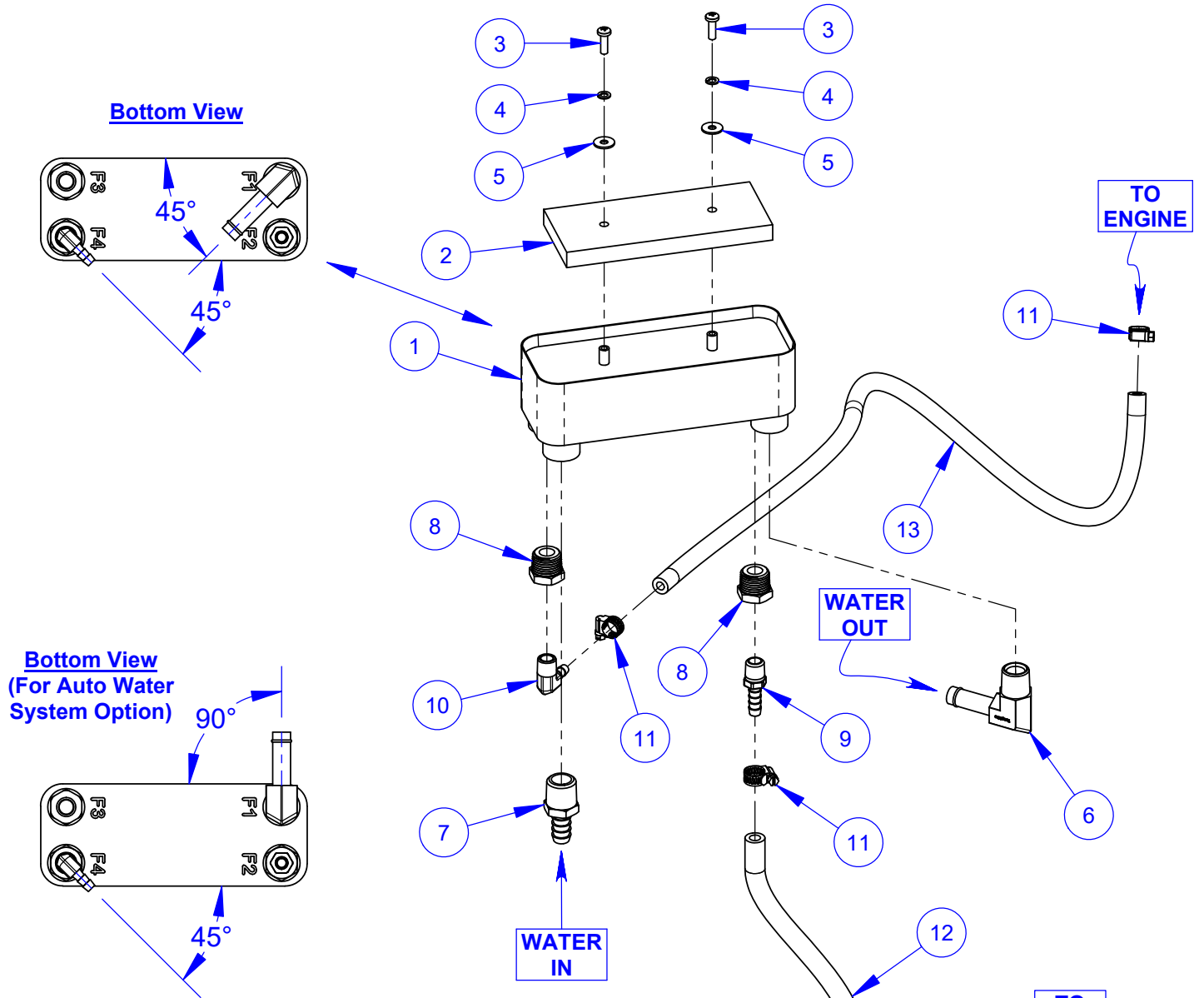


## Fuel Supply Assembly #6001033



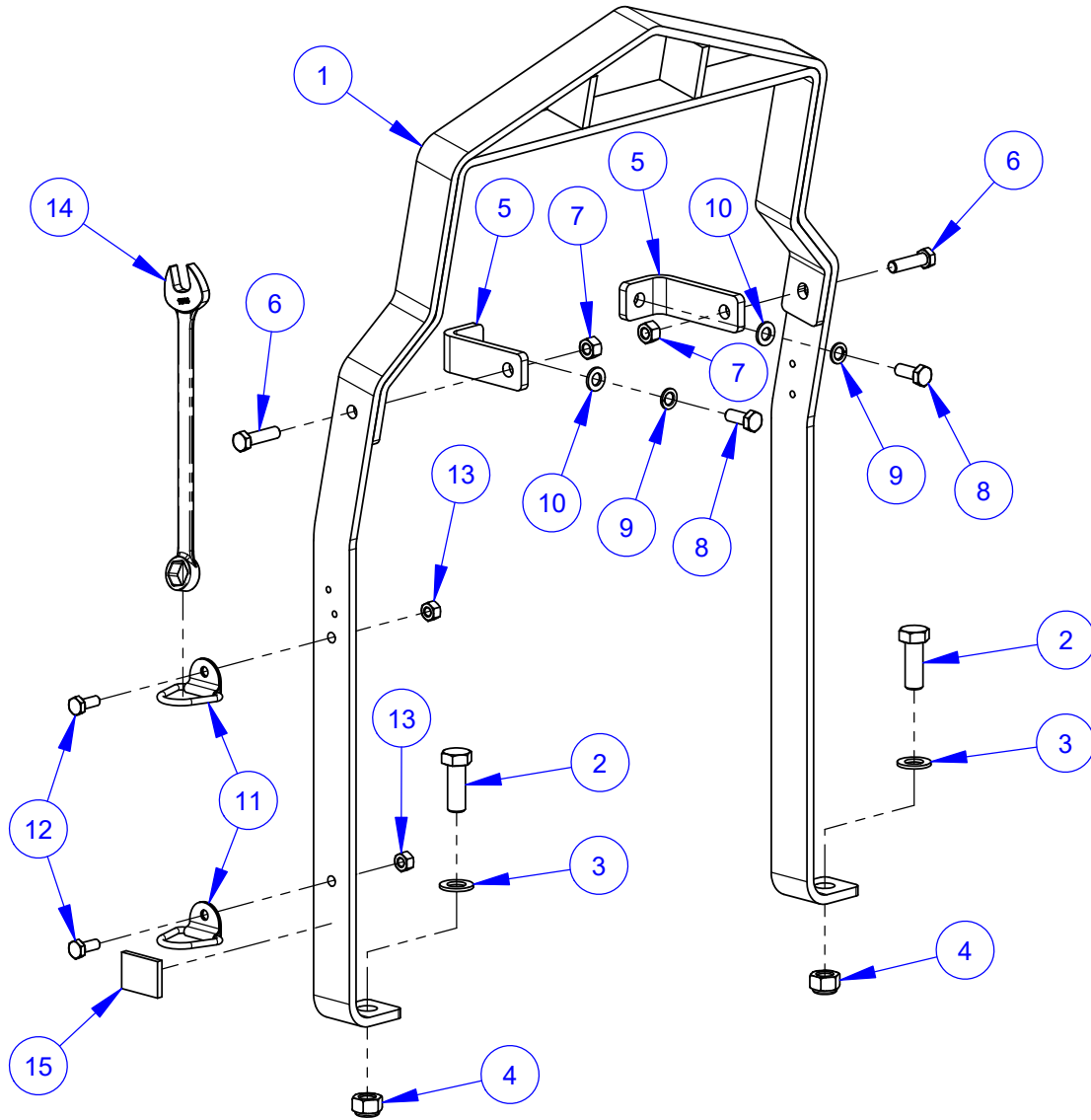
ITEM	PART NO.	QTY.	DESCRIPTION
1	6001229	1	Fuel Pump Bracket
2	2704933	1	Fuel Pump
3	3201636	2	Fitting, 1/8" M. Pipe to 5/16" Hose Barb
4	2901370	2	Cap Screw, Hex Flange, M6-1.0 x 12mm
5	2900302	4	Lock Nut, M6-1.0 Nylon Insert
6	2900341	2	Cap Screw, Hex Hd., M6-1.0 x 16mm
7	2704934	1	Water Separator Filter
	2704935	1	Filter Element
8	2907018	1	Cap Screw, Hex Hd., M8-1.25 x 50mm
9	2900303	1	Lock Nut, M8-1.25 Nylon Insert
10	2704936	1	Fuel Filter, Main
	2704937	1	Filter Element
11	3200062	8	Hose Clamp #4
12	6019277	1	Fuel Hose, 5/16" I.D. x 18"
13	6017529	1	Fuel Hose, 5/16" I.D. x 8"
14	6013096	1	Fuel Hose, 5/16" I.D. x 25"
15	6017044	1	Fuel Hose, 5/16" I.D. x 20"

## Fuel Cooler Assembly #6001034



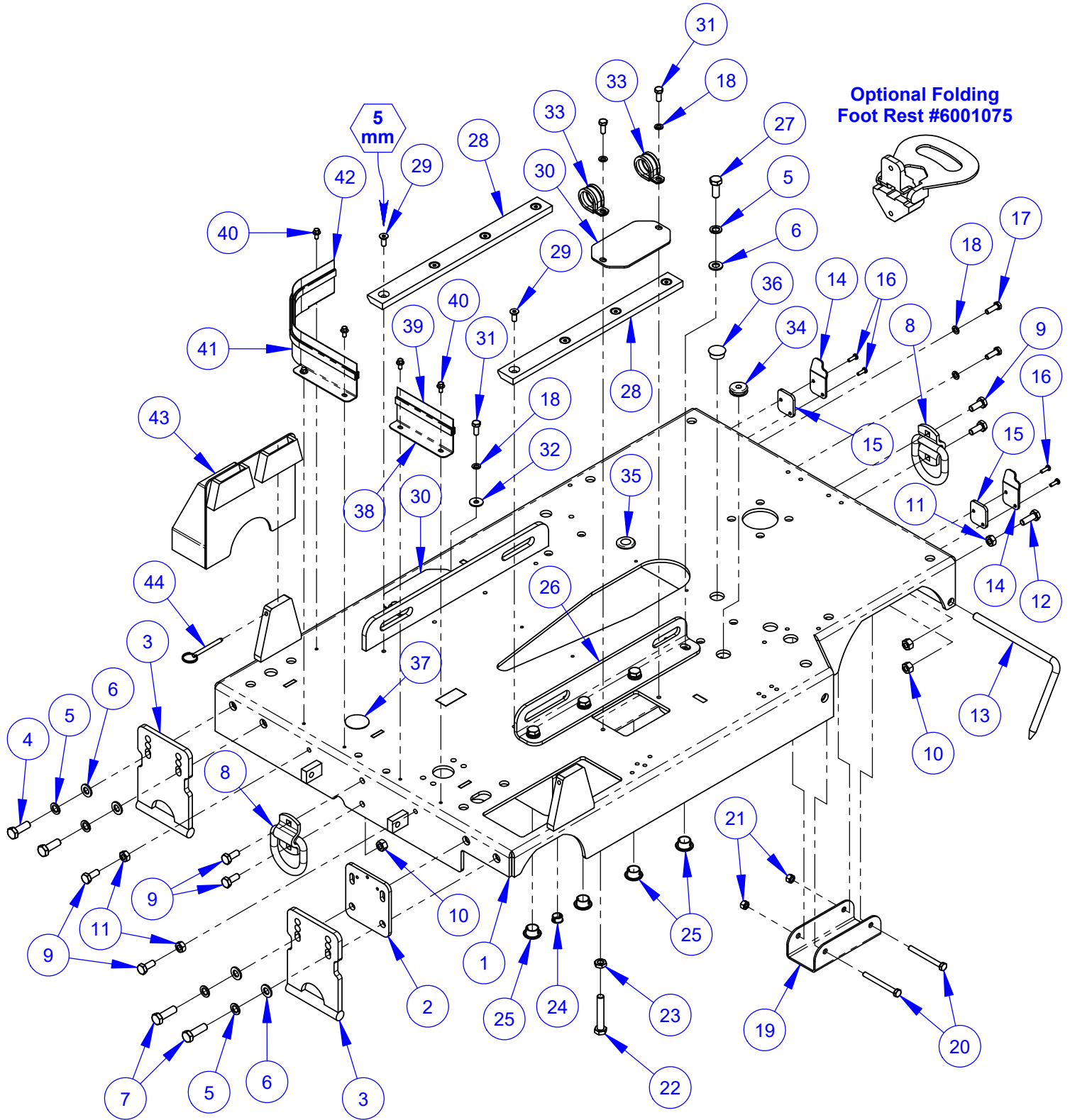
ITEM	PART NO.	QTY.	DESCRIPTION
1	2506054	1	Fuel Cooler
2	6019280	1	Cooler Cushion
3	2902122	2	Machine Screw, Pan Hd., M5-0.8 x 16mm
4	2900767	2	Lock Washer, M5 Split
5	2900770	2	Fender Washer, M5
6	3201740	1	Elbow, 1/2" M. Pipe to 1/2" Hose Bead
7	3200020	1	Fitting, 1/2" M. Pipe to 1/2" Hose Barb
8	3200229	2	Reducer, 1/2" M. to 1/4" F. Pipe
9	3201304	1	Fitting, 1/4" M. Pipe to 5/16" Hose Barb
10	3201917	1	Elbow, 1/4" M. Pipe to 1/4" Hose Barb
11	3200062	4	Hose Clamp #4
12	6017298	1	Fuel Hose, 5/16" I.D. x 22"
13	6001284	1	Fuel Hose, 1/4" I.D. x 30"

## Frame Lift Assembly #6001035



ITEM	PART NO.	QTY.	DESCRIPTION
1	6001206	1	Frame Lift
2	2901361	2	Cap Screw, Hex Hd., M18-2.5 x 50mm
3	2901362	2	Flat Washer, M18
4	2901363	2	Lock Nut, M18-2.5 Nylon Insert
5	6001207	2	Frame Lift Brace
6	2901444	2	Cap Screw, Hex Hd., M12-1.75 x 45mm
7	2900327	2	Lock Nut, M12-1.75 Nylon Insert
8	2900330	2	Cap Screw, Hex Hd., M12-1.75 x 30mm
9	2900699	2	Lock Washer, M12 Split
10	2901357	2	Flat Washer, M12
11	2505498	2	D-Ring 2"
12	2900333	2	Cap Screw, Hex Hd., M10-1.5 x 25mm
13	2900304	2	Lock Nut, M10-1.5 Nylon Insert
14	2503704	1	Wrench, 15/16" Combination
15	6017447	1	Wrench Pad 1-1/2"

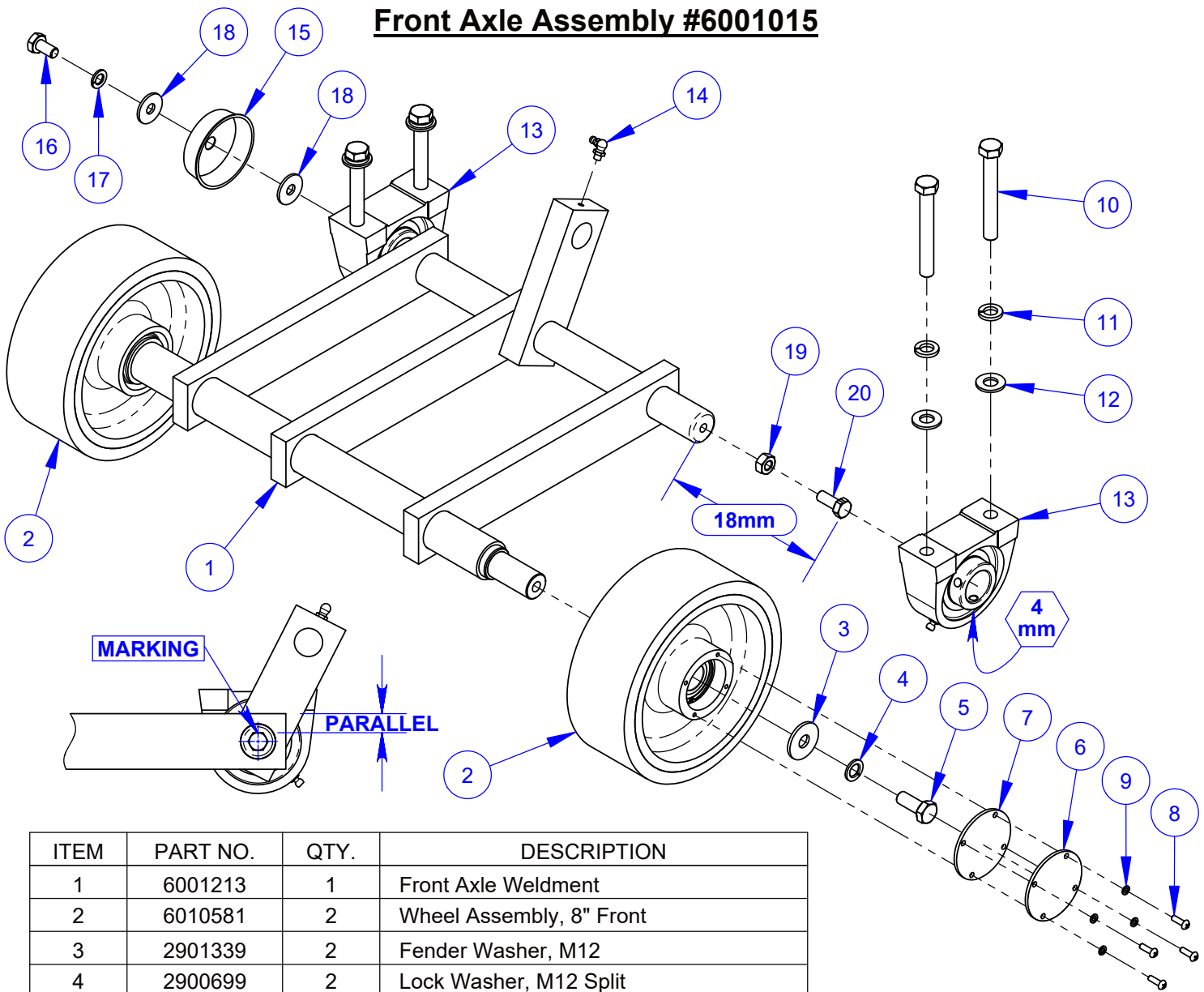
# Frame Base Assembly #6001014



## **Frame Base Assembly #6001014**

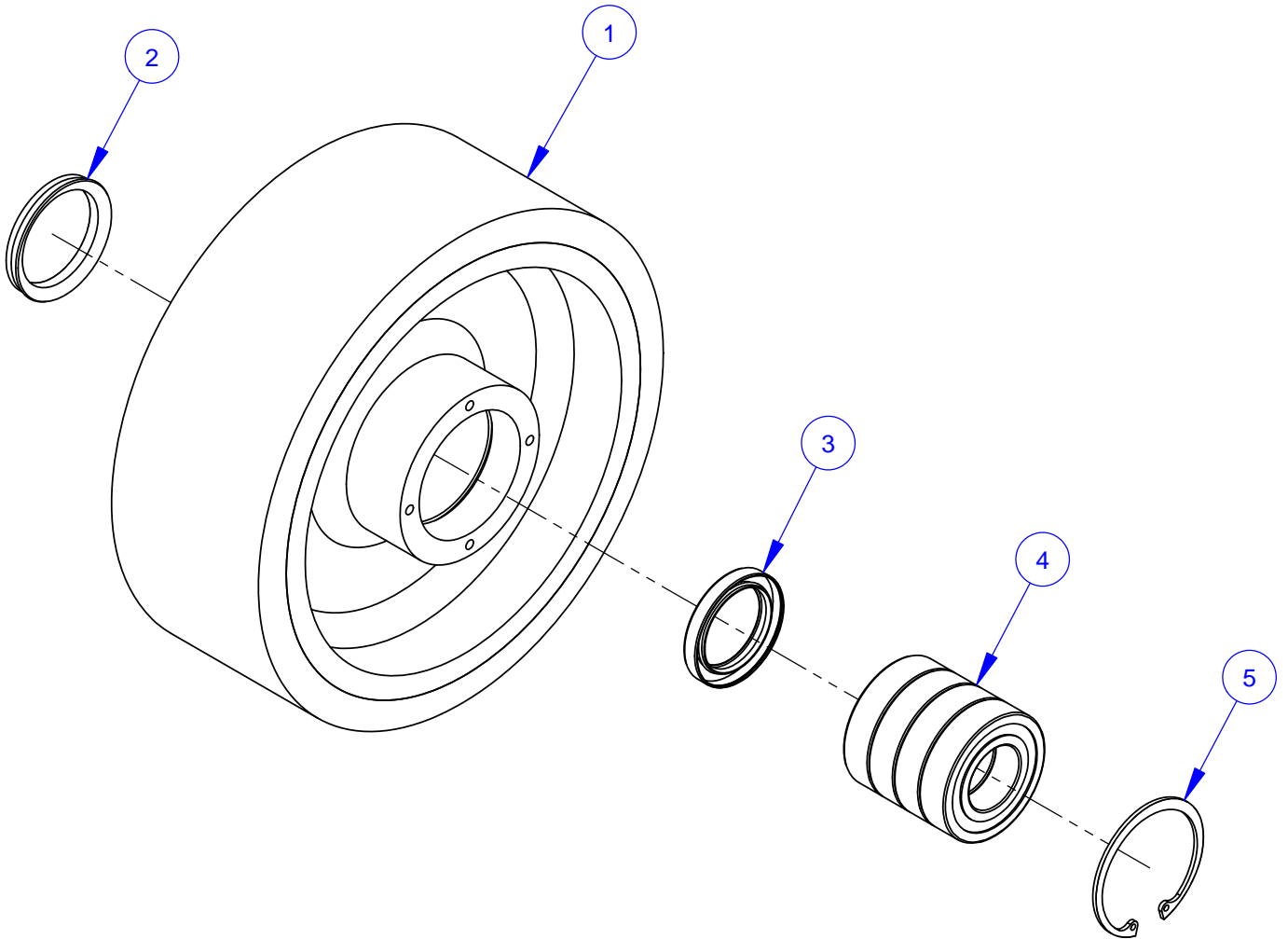
ITEM	PART NO.	QTY.	DESCRIPTION
1	6001250	1	Frame Base Weldment
2	6010973	1	Guard Attachment Plate
3	6017213	2	Skid Plate
4	2900801	2	Cap Screw, Hex Hd., M12-1.75 x 35mm
5	2900699	8	Lock Washer, M12 Split
6	2901357	8	Flat Washer, M12
7	2900331	2	Cap Screw, Hex Hd., M12-1.75 x 40mm
8	2504368	2	Tie Down
9	2900333	6	Cap Screw, Hex Hd., M10-1.5 x 25mm
10	2900304	4	Lock Nut, M10-1.5 Nylon Insert
11	2900325	4	Hex Nut, M10-1.5
12	2900223	2	Cap Screw, Hex Hd., M10-1.5 x 30mm
13	6010683	2	Rear Pointer Rod
14	6001332	2	Screen Pivot Tab
15	6001333	2	Tab Spacer
16	2902122	4	Machine Screw, Pan Hd., M5-0.8 x 16mm
17	2900360	4	Cap Screw, Hex Hd., M8-1.25 x 25mm
18	2900763	8	Lock Washer, M8 Split
19	6017323	2	Rail Shoe
20	2901141	4	Cap Screw, Hex Hd., M8-1.25 x 80mm
21	2900303	4	Lock Nut, M8-1.25 Nylon Insert
22	2901347	2	Tap Bolt, Hex Hd., M12-1.75 x 70mm
23	2901386	2	Jam Nut, M12-1.75
24	2503745	2	Plug, 11/16" Hole
25	2506095	8	Plug, 7/8" Hole
26	6001251	1	Engine Guide
27	2900330	4	Cap Screw, Hex Hd., M12-1.75 x 30mm
28	6001252	2	Engine Slide Bar
29	2900611	8	Cap Screw, Flat Hd., M8-1.25 x 20mm
30	6001337	2	Wheel Well Cover
31	2900329	4	Cap Screw, Hex Hd., M8-1.25 x 20mm
32	2900383	2	Fender Washer, M8
33	2504465	2	Hose Clamp, 1-1/4" x 3/4" Wide
34	2506118	1	Grommet, 3/8" I.D.
35	2503742	1	Grommet, 11/16" I.D.
36	2500489	1	Plug, 1" Hole
37	2500554	1	Plug, 1-1/2" Hole
38	6001306	1	Air Shield (Short)
39	6001307	1	Edge Trim Seal 5-1/2"
40	2901370	5	Cap Screw, Hex Flange, M6-1.0 x 12mm
41	6001308	1	Air Shield (Curved)
42	6001309	1	Edge Trim Seal 15-1/2"
43	6010645	1	Shaft/Flange Guard (Wide)
44	2900156	1	Lock Pin with Ring

## Front Axle Assembly #6001015



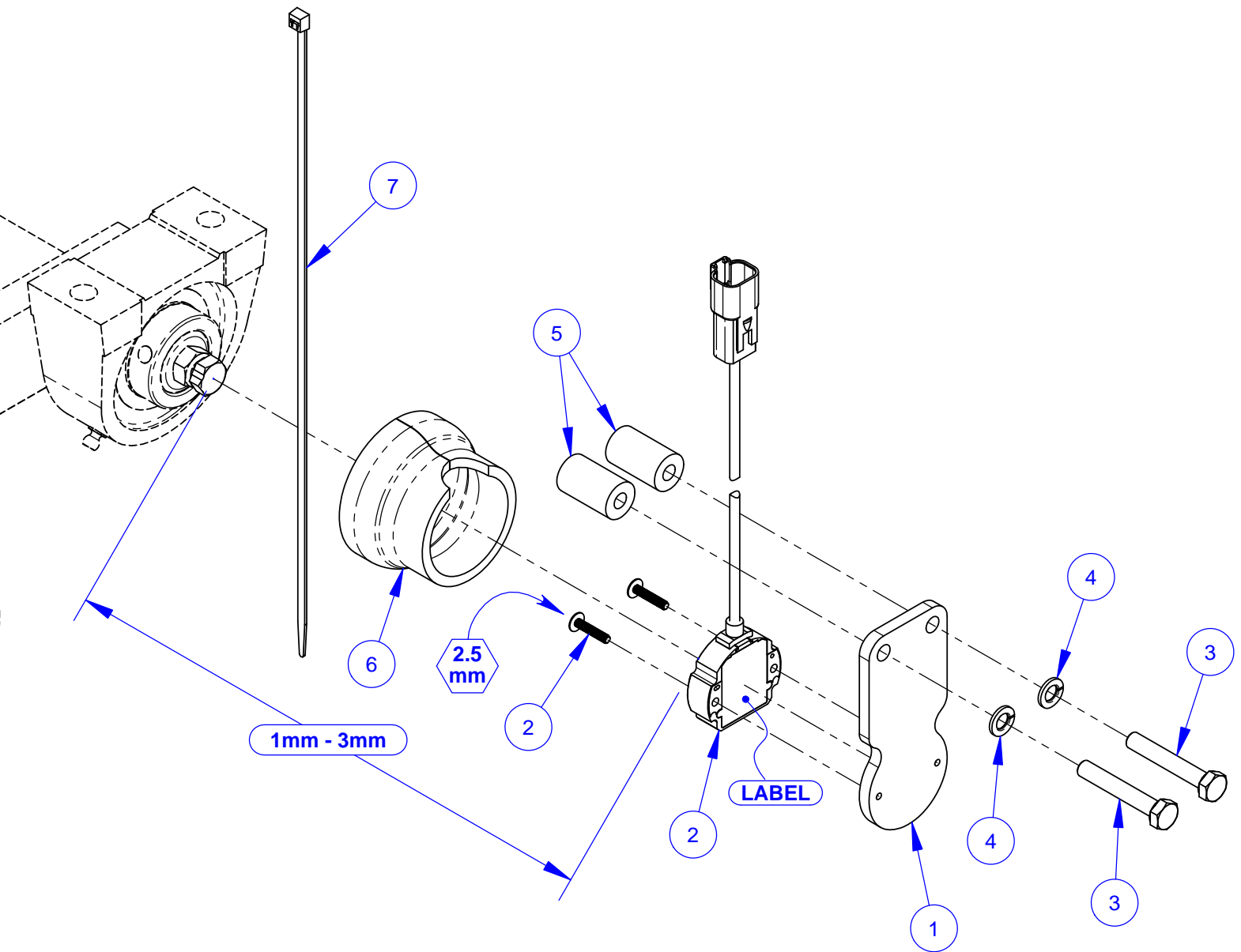
ITEM	PART NO.	QTY.	DESCRIPTION
1	6001213	1	Front Axle Weldment
2	6010581	2	Wheel Assembly, 8" Front
3	2901339	2	Fender Washer, M12
4	2900699	2	Lock Washer, M12 Split
5	2900330	2	Cap Screw, Hex Hd., M12-1.75 x 30mm
6	6010536	2	Wheel Cover
7	2501393	2	Wheel Cover Gasket
8	2900159	8	Machine Screw, Rd. Hd., #10-24 x 5/8"
9	2900038	8	Lock Washer, #10 Split
10	2900400	4	Cap Screw, Hex Hd., 1/2-13 x 3-3/4"
11	2900084	4	Lock Washer, 1/2" Split
12	2900058	4	Flat Washer, 1/2" SAE
13	2500158	2	Pillow Block Bearing 1-1/4"
14	2900061	1	Grease Fitting, 1/4-28 x 90 Degree
15	6016095	1	Bearing End Cap
16	2900314	1	Cap Screw, Hex Hd., M10-1.5 x 20mm
17	2900321	1	Lock Washer, M10 Split
18	2901360	2	Fender Washer, M10
19	2900325	1	Hex Nut, M10-1.5
20	2801533	1	Marker Screw, M10-1.5 x 25mm

## Front Wheel Assembly #6010581



ITEM	PART NO.	QTY.	DESCRIPTION
1	2501390	1	Wheel, 8" Front
2	2501428	1	Seal, 1-1/2" V-Ring
3	2501391	1	Seal, 1-1/4" x 1-3/4" x 1/4"
4	2501418	4	Ball Bearing, 1" x 2" x 1/2"
5	2501392	1	Retaining Ring, 2" Internal

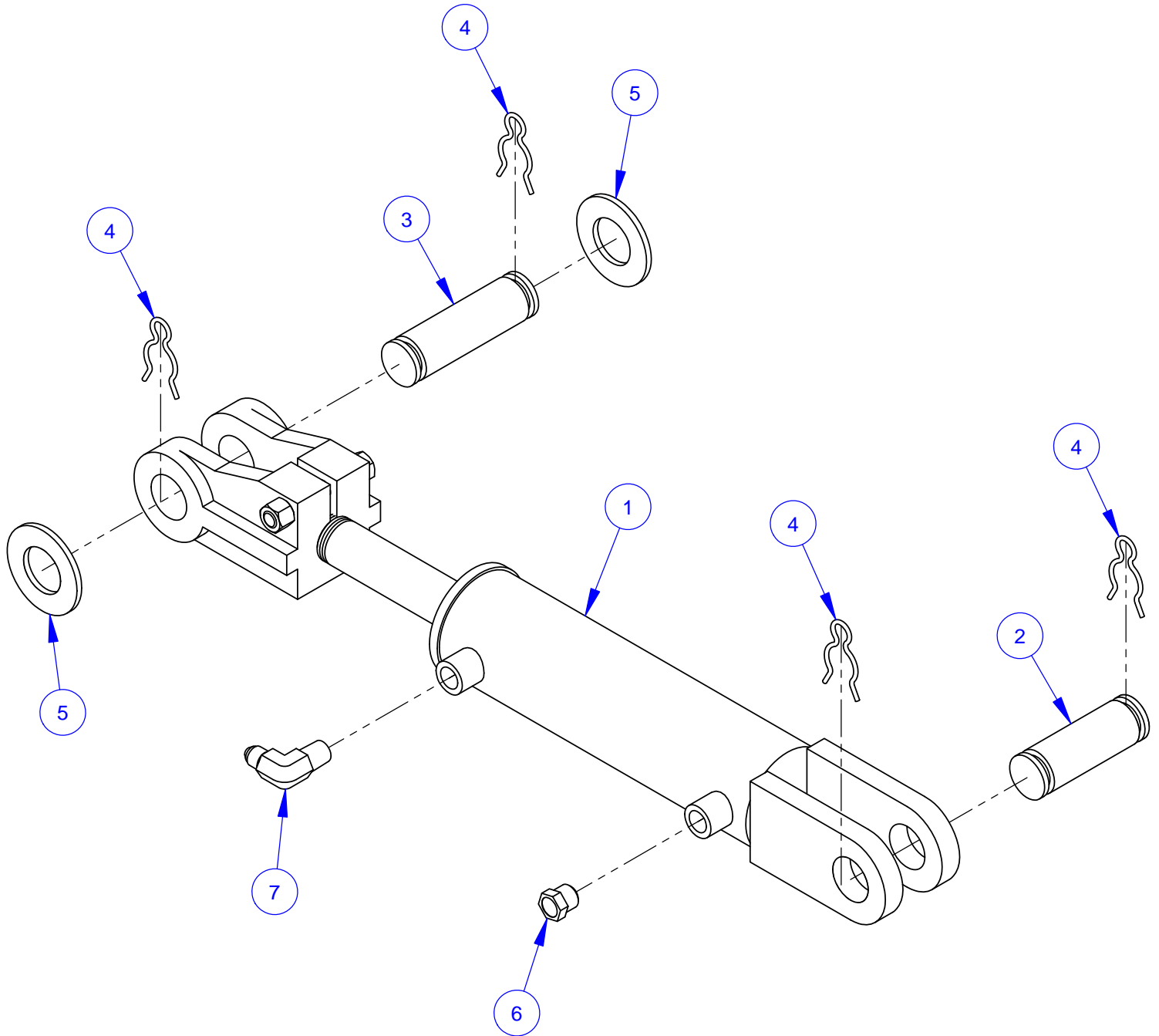
## Rotary Sensor Assembly #6016044



ITEM	PART NO.	QTY.	DESCRIPTION
1	6016186	1	Sensor Mount Plate
2	6016220	1	Rotary Sensor
	2902125	2	Machine Screw, Flange Button Hd., M4-0.7 x 20mm
3	2907018	2	Cap Screw, Hex Hd., M8-1.25 x 50mm
4	2900763	2	Lock Washer, M8 Split
5	2400314	2	Spacer, 1-1/4" Long
6	6016187	1	Sensor Boot
7	2800278	1	Zip Tie, 14"

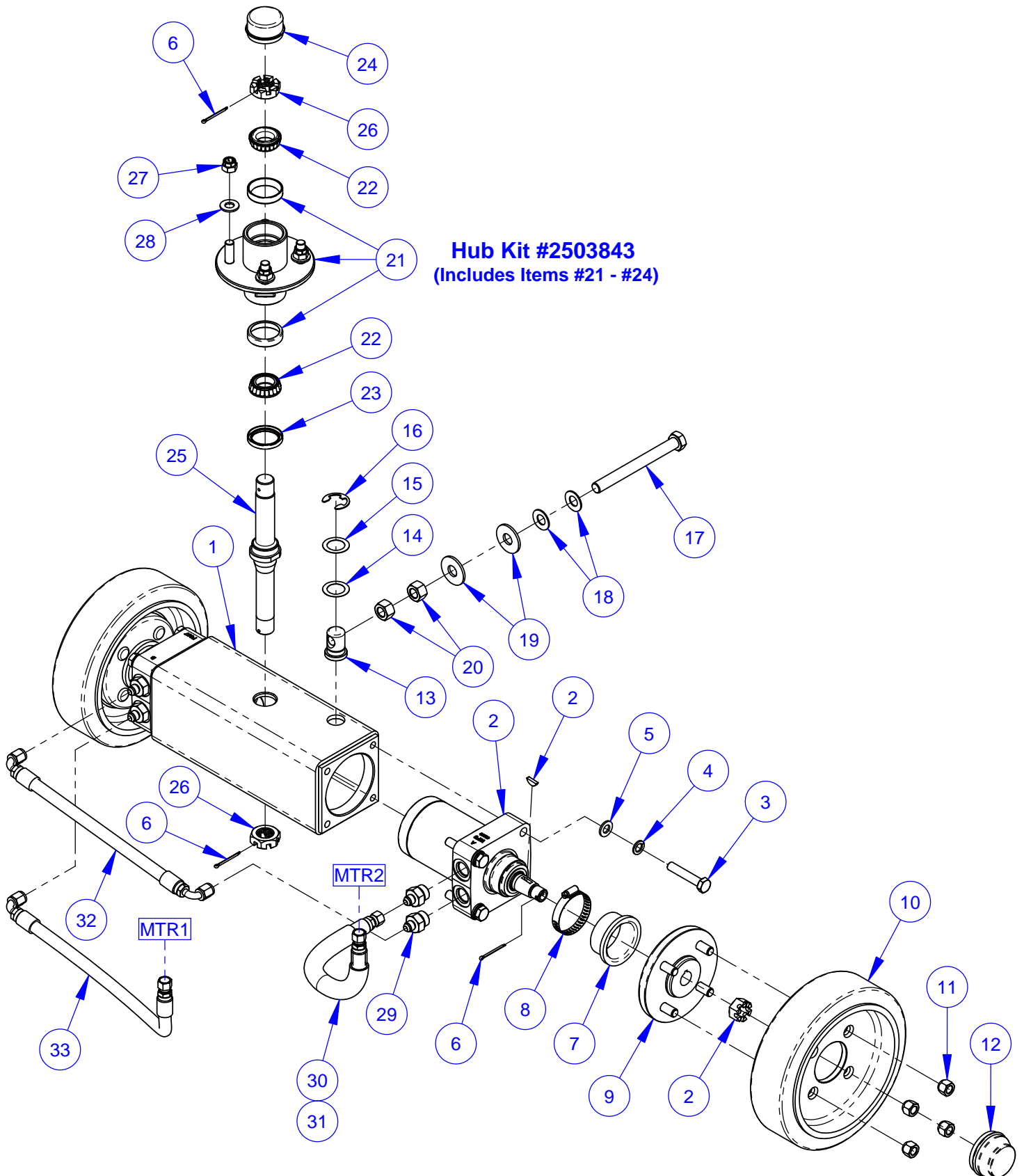


## Hydraulic Cylinder Assembly #6017097



ITEM	PART NO.	QTY	DESCRIPTION
1	2500178	1	Hydraulic Cylinder
	2504044	1	Seal Repair Kit
2	6010031	1	Cylinder Pin, 1" Dia. x 3" Long
3	6010119	1	Cylinder Pin, 1" Dia. x 3-1/2" Long
4	2900064	4	Hair Pin Cotter, 3/4"
5	2900295	2	Flat Washer, 1" SAE
6	3200067	1	Breather Vent, 1/4" NPT
7	3200057	1	Elbow, 1/4" M. Pipe to 1/4" M. JIC

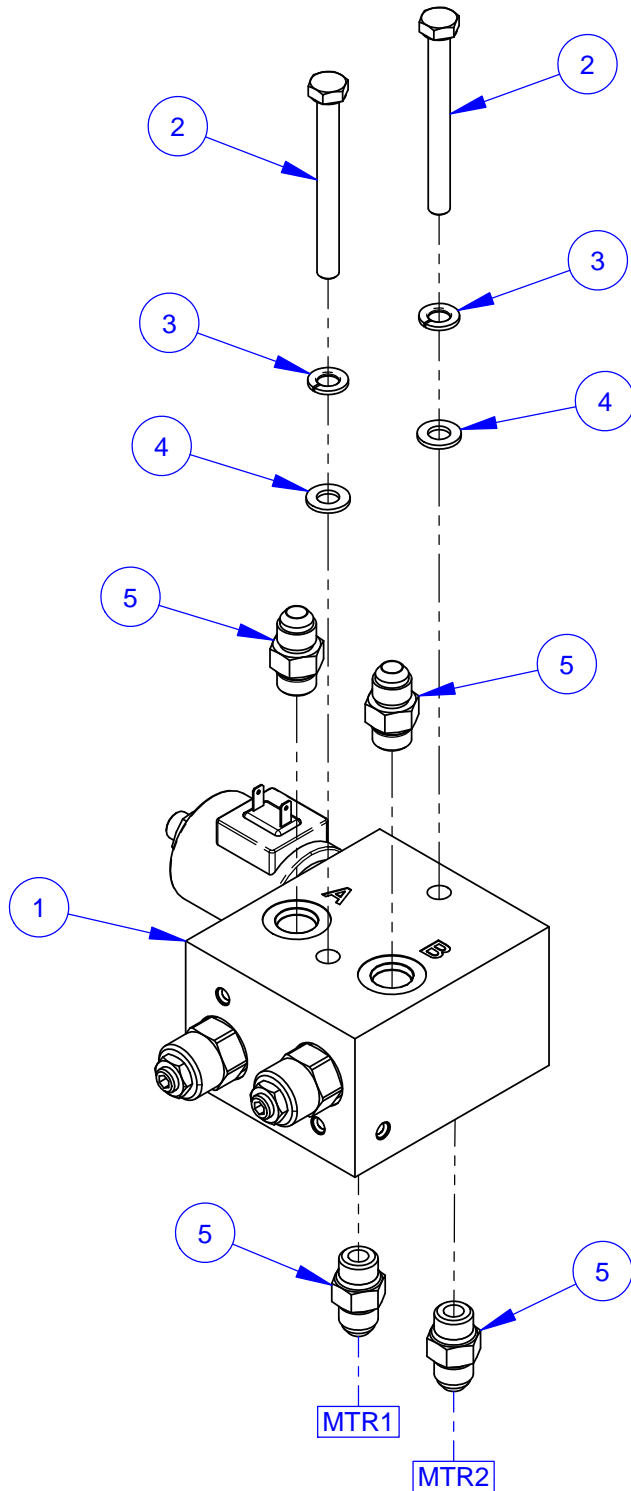
# Rear Axle Assembly #6001016



## Rear Axle Assembly #6001016

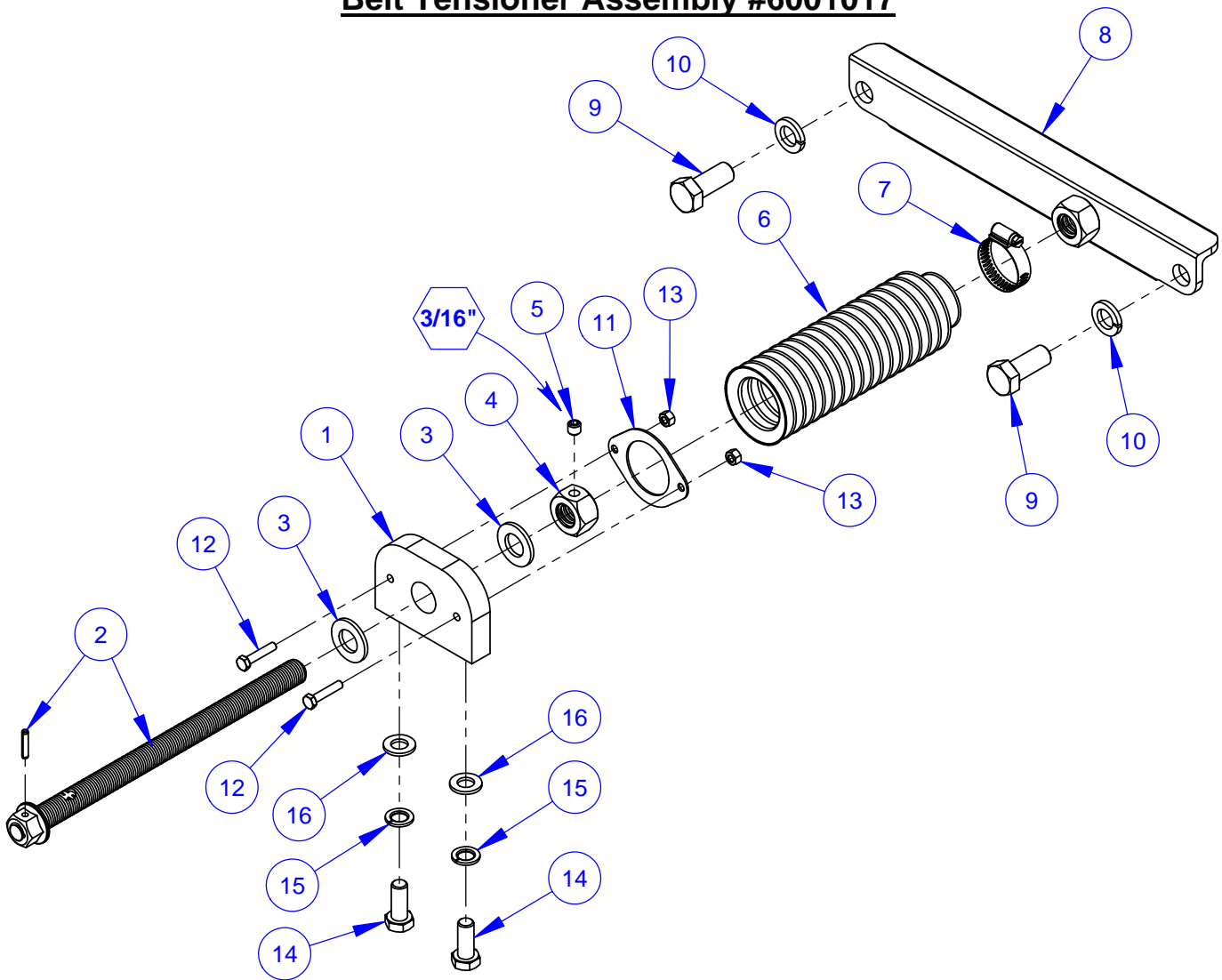
ITEM	PART NO.	QTY	DESCRIPTION
1	6001214	1	Motor Mount Tube Weldment
2	2600654	2	Parker Wheel Motor
	2901327	1	Woodruff Key #9, 3/16" x 3/4"
	2703207	1	Hex Slotted Nut, 3/4-16
3	2900359	8	Cap Screw, Hex Hd., M12-1.75 x 65mm
4	2900699	8	Lock Washer, M12 Split
5	2901357	8	Flat Washer, M12
6	2900950	4	Cotter Pin, 1/8" x 1-1/2"
7	2506071	2	Sleeve Reducer, 2-1/2" to 2-1/4" I.D.
8	3200095	2	Hose Clamp #32
9	2502175	2	Wheel Hub
10	2502174	2	Wheel, 10" Rear
11	2900975	8	Lug Nut, 1/2-20
12	2502176	2	Hub Cap
13	6017378	1	Swivel, M16
14	2900938	1	Shim, 1" x 1-1/2" x .010"
15	2900940	1	Shim, 1" x 1-1/2" x .015"
16	2501224	1	E-Ring, 1"
17	2901351	1	Tap Bolt, Hex Hd., M16-2.0 x 160mm
18	2900478	2	Belleville Washer, 5/8"
19	2900721	2	Flat Washer, 5/8" USS Hardened
20	2901352	2	Hex Nut, M16-2.0
21	2503794	1	Hub with Bearing Cups
	2501222	2	Tapered Bearing Cup
22	2503766	2	Tapered Bearing Cone, 1-1/16"
23	2503767	1	Seal, Double Lip 1-1/2" ID
24	2503795	1	Grease Cap 2"
25	6017322	1	Kingpin
26	2707220	2	Hex Nut, 1"-14 Slotted
27	2900833	4	Lock Nut, 1/2-20 Flex Top
28	2900058	4	Flat Washer, 1/2" SAE
29	3201724	4	Adapter, 5/8" O-Ring to 3/8" M. JIC
30	6016235	1	Hose Sleeving 9"
31	6017295	1	Hose Assembly 3/8" x 14"
32	6001271	1	Hose Assembly 3/8" x 15-1/4"
33	6001272	1	Hose Assembly 3/8" x 22"

## Valve Block Assembly #6016046



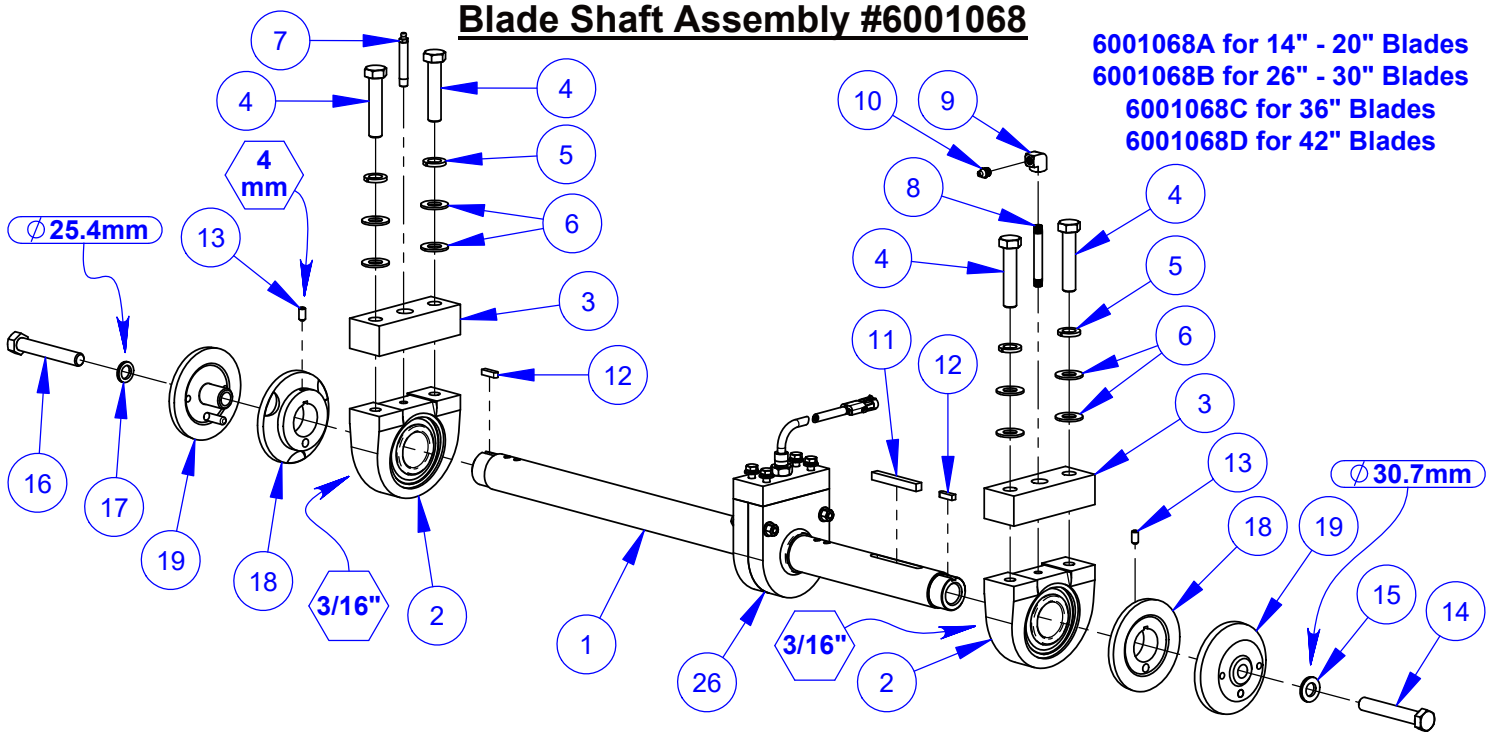
ITEM	PART NO.	QTY.	DESCRIPTION
1	3201664	1	Valve Block Unit
2	2901141	2	Cap Screw, Hex Hd., M8-1.25 x 80mm
3	2900763	2	Lock Washer, M8 Split
4	2901336	2	Flat Washer, M8
5	3200263	4	Adapter, 3/8" O-Ring to 3/8" M. JIC

## Belt Tensioner Assembly #6001017



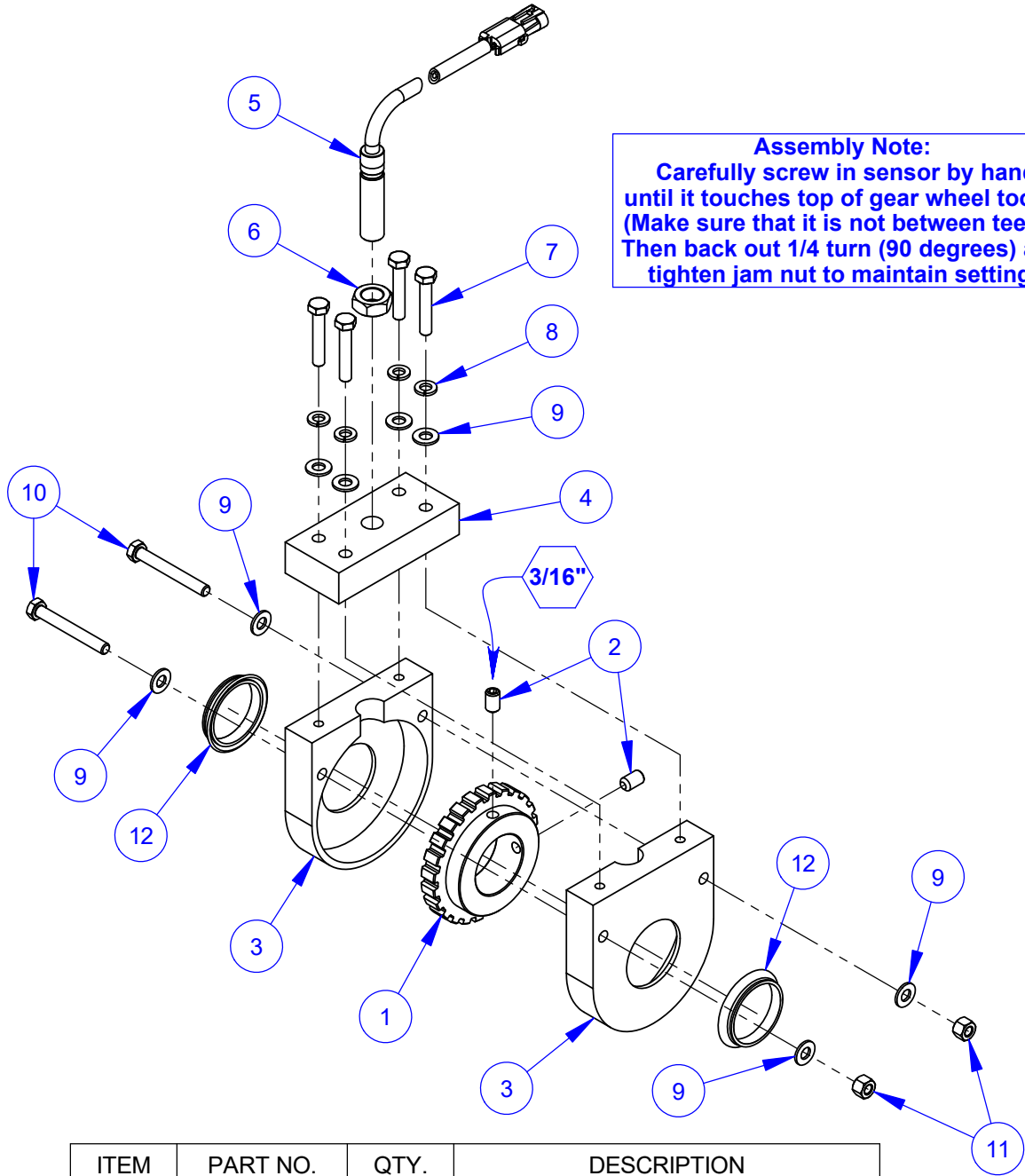
ITEM	PART NO.	QTY.	DESCRIPTION
1	6001253	1	Lead Screw Mounting Block
2	6001254	1	Lead Screw
	2901566	1	Roll Pin, 3/16" x 15/16"
3	2901565	2	Thrust Washer, 3/4"
4	6019074	1	Lead Screw Lock Nut
5	2900131	1	Set Screw, Soc. Hd., 3/8-16 x 3/8"
6	6048036	1	Bellows
7	3202142	1	Hose Clamp #24
8	6001255	1	Lead Screw Adjustment Bar
9	2903111	2	Cap Screw, Hex Hd., 5/8-11 x 1-1/2"
10	2900113	2	Lock Washer, 5/8" Split
11	6019028	1	Bellows Mount Flange
12	2900342	2	Cap Screw, Hex Hd., M6-1.0 x 30mm
13	2900302	2	Lock Nut, M6-1.0 Nylon Insert
14	2900330	2	Cap Screw, Hex Hd., M12-1.75 x 30mm
15	2900699	2	Lock Washer, M12 Split
16	2901357	2	Flat Washer, M12

## Blade Shaft Assembly #6001068



ITEM	PART NO.	6001068A QTY.	6001068B QTY.	6001068C QTY.	6001068D QTY.	DESCRIPTION
1	6001205	1	1	1	1	Blade Shaft
2	2505340	2	2	2	2	Blade Shaft Bearing, 1-3/4"
3	6001340	2	2	2	2	Blade Shaft Bearing Spacer
4	2900195	4	4	4	4	Cap Screw, Hex Hd., 5/8-11 x 3"
5	2900113	4	4	4	4	Lock Washer, 5/8" Split
6	2900002	8	8	8	8	Flat Washer, 5/8" SAE
7	2900709	1	1	1	1	Grease Fitting, 1/8" NPT x 2-5/8"
8	3200179	1	1	1	1	Pipe Nipple, 1/8" NPT x 3"
9	3200154	1	1	1	1	Pipe Elbow, 1/8" NPT Female
10	2900062	1	1	1	1	Grease Fitting, 1/8" NPT
11	4600131	1	1	1	1	Key, 3/8" Sq. x 3"
12	6010040	2	2	2	2	Key, 1/4" Sq. x 15/16"
13	2900418	2	2	2	2	Set Screw, Soc. Hd., 5/16-18 x 5/8"
14	2900146	1	1	1	1	Cap Screw, Hex Hd., 5/8-11 x 4"
15	2900412	1	1	1	1	Wedge Lock Washer Pair, 5/8"
16	2900130	1	1	1	1	Cap Screw, Hex Hd., 5/8-11 x 4" LH
17	2901569	1	1	1	1	Wedge Lock Washer Pair, 5/8" LH
18	6010036	2	-	-	-	Inner Flange 4-1/2"
19	6010037	2	-	-	-	Outer Flange 4-1/2" with Pin
20	6010255	-	2	-	-	Inner Flange 5"
21	6047907	-	2	-	-	Outer Flange 5" with Pin
22	6010038	-	-	2	-	Inner Flange 6"
23	6010039	-	-	2	-	Outer Flange 6" with Pin
24	6017230	-	-	-	2	Inner Flange 7"
25	6017231	-	-	-	2	Outer Flange 7" with Pin
26	6001037	1	1	1	1	Shaft Tach Assembly

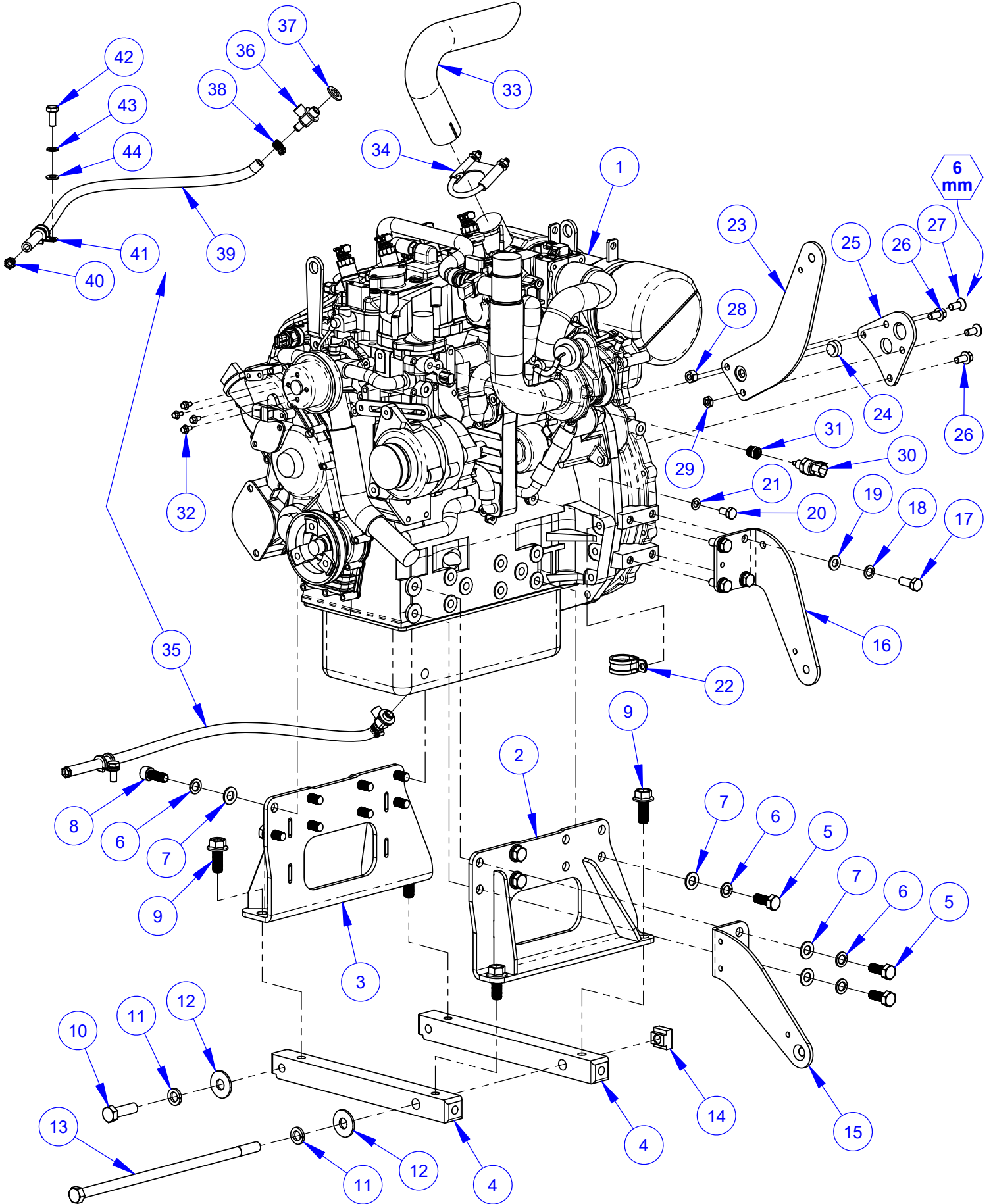
## Shaft Tach Assembly #6001037



**Assembly Note:**  
 Carefully screw in sensor by hand until it touches top of gear wheel tooth. (Make sure that it is not between teeth.) Then back out 1/4 turn (90 degrees) and tighten jam nut to maintain setting.

ITEM	PART NO.	QTY.	DESCRIPTION
1	6001303	1	Sensor Gear Wheel (24 Tooth)
2	2900484	2	Set Screw, Soc. Hd., 3/8-16 x 5/8"
3	6010669	2	Shaft Tach Gear Guard
4	6016269	1	Shaft Tach Guard Spacer 1"
5	2800169	1	Magnetic Speed Sensor
6	2900685	1	Jam Nut, 5/8-18
7	2900538	4	Cap Screw, Hex Hd., 5/16-18 x 1-3/4"
8	2900031	4	Lock Washer, 5/16" Split
9	2900022	8	Flat Washer, 5/16" SAE
10	2900726	2	Cap Screw, Hex Hd., 5/16-18 x 2-1/2"
11	2900039	2	Lock Nut, 5/16-18 Nylon
12	2501752	2	Seal, 1-3/4" V-Ring

# Engine Assembly #6001000

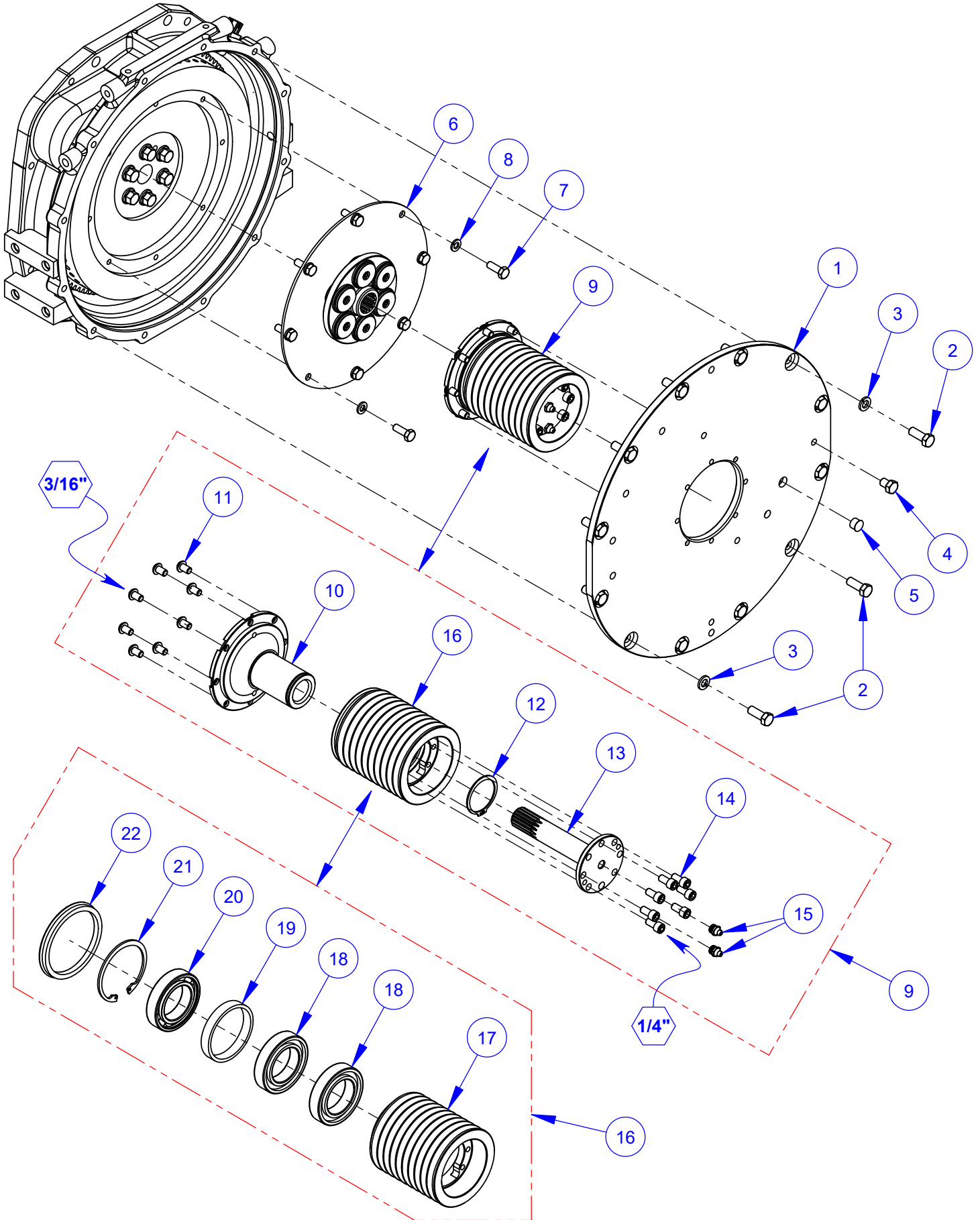




## Engine Assembly #6001000

ITEM	PART NO.	QTY.	DESCRIPTION
1	2600740	1	Engine, CAT Model C2.2
2	6001215	1	Engine Support, Front
3	6001216	1	Engine Support, Rear
4	6001233	2	Engine Rail
5	2900874	12	Cap Screw, Hex Hd., M14-1.5 x 35mm
6	2900875	13	Lock Washer, M14 Split
7	2900326	13	Flat Washer, M14
8	2902534	1	Cap Screw, Soc Hd., M14-1.5 x 35mm
9	2900164	4	Cap Screw, Flange Hd., 5/8-11 x 1-1/2"
10	2900136	1	Cap Screw, Hex Hd., 5/8-11 x 2"
11	2900113	2	Lock Washer, 5/8" Split
12	2900721	2	Flat Washer, 5/8" USS Hardened
13	2901562	1	Bolt, Hex Head, 5/8-11 x 16"
14	2901563	1	T-Nut, 5/8-11
15	6001240	1	Radiator Arm, Lower
16	6001242	1	Radiator Arm, Lower Brace
17	2900330	4	Cap Screw, Hex Hd., M12-1.75 x 30mm
18	2900699	4	Lock Washer, M12 Split
19	2901357	4	Flat Washer, M12
20	2900314	1	Cap Screw, Hex Hd., M10-1.5 x 20mm
21	2900321	1	Lock Washer, M10 Split
22	2504465	1	Hose Clamp, 1-1/4" x 3/4" Wide
23	6001243	1	Radiator Arm, Upper Offset
24	2502389	1	Button Bumper
25	6019232	1	Radiator Arm Link
26	2901394	2	Flange Bolt, Hex Hd., M10-1.25 x 20mm
27	2900744	2	Cap Screw, Flat Hd., M10-1.5 x 25mm
28	2900304	1	Lock Nut, M10-1.5 Nylon Insert
29	2902413	1	Hex Jam Nut, M10-1.5
30	2801530	1	Low Coolant Level Sender
31	3200079	1	Reducer, 3/8" M. to 1/4" F. Pipe
32	2901370	4	Cap Screw, Hex Flange, M6-1.0 x 12mm
33	6001270	1	Exhaust Tailpipe
34	2700748	1	Muffler Clamp 2"
35	6001036	1	Oil Drain Assembly
ITEM	PART NO.		DESCRIPTION
36	3202943	1	Oil Drain Valve, M16x1.5
37	2704931	1	Sealing Washer
38	3200390	1	Hose Clamp #6
39	6001279	1	Hose, 3/8" I.D. x 28"
40	3200741	1	Hose Plug
41	2501434	1	Hose Clamp, 5/8" x 3/4" Wide
42	2900333	1	Cap Screw, Hex Hd., M10-1.5 x 25mm
43	2900321	1	Lock Washer, M10 Split
44	2901356	1	Flat Washer, M10

# PTO Assembly #6001040



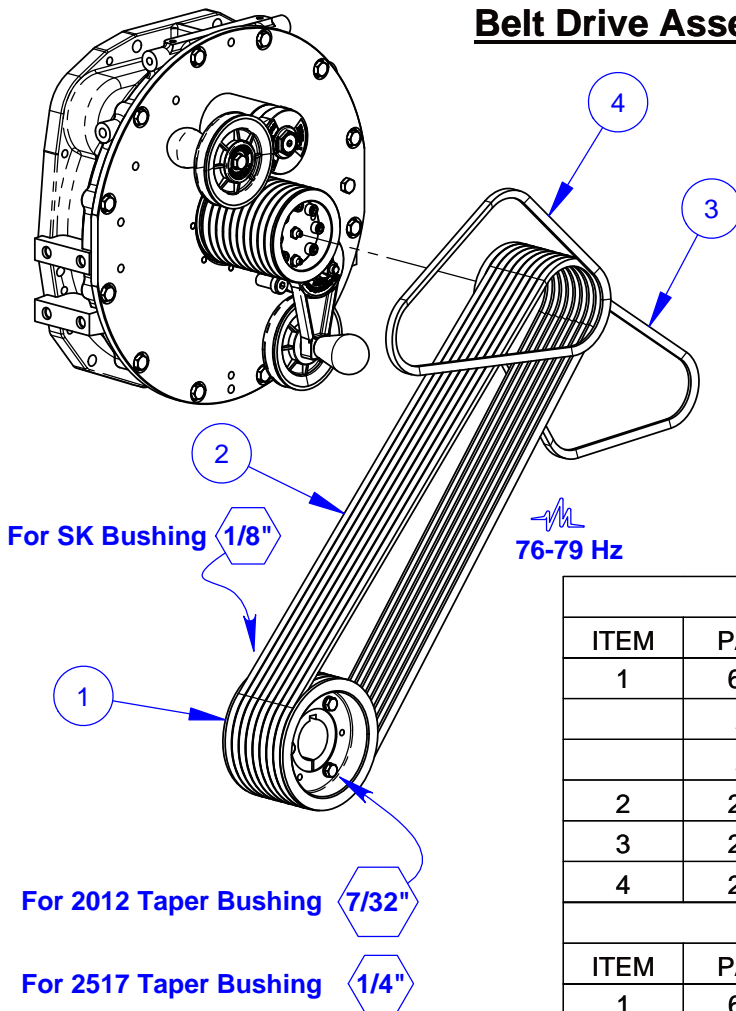
## **PTO Assembly #6001040**

ITEM	PART NO.	QTY.	DESCRIPTION
1	6001200	1	Inner Ring Support
2	2900005	12	Cap Screw, Hex Hd., 3/8-16 x 1"
3	2900006	11	Lock Washer, 3/8" Split
4	2901066	1	Cap Screw, Hex. Hd., 3/8-16 x 1/2"
5	2500204	1	Plug, 1/2" Hole
6	2505300	1	Flywheel Coupling
7	2900668	8	Cap Screw, Hex Hd., 5/16-18 x 7/8"
8	2900031	8	Lock Washer, 5/16" Split
9	6001041	1	PTO Unit

ITEM	PART NO.	QTY.	DESCRIPTION
10	6001201	1	Shaft Support Sleeve
11	2902196	8	Cap Screw, Button Hd., 5/16-18 x 1/2"
12	2503758	1	Retaining Ring, 45mm External
13	6017224	1	Splined Drive Shaft
14	2900898	7	Cap Screw, Soc. Hd., 5/16-18 x 5/8"
15	2900062	2	Grease Fitting, 1/8" NPT
16	6001042	1	Sheave Assembly

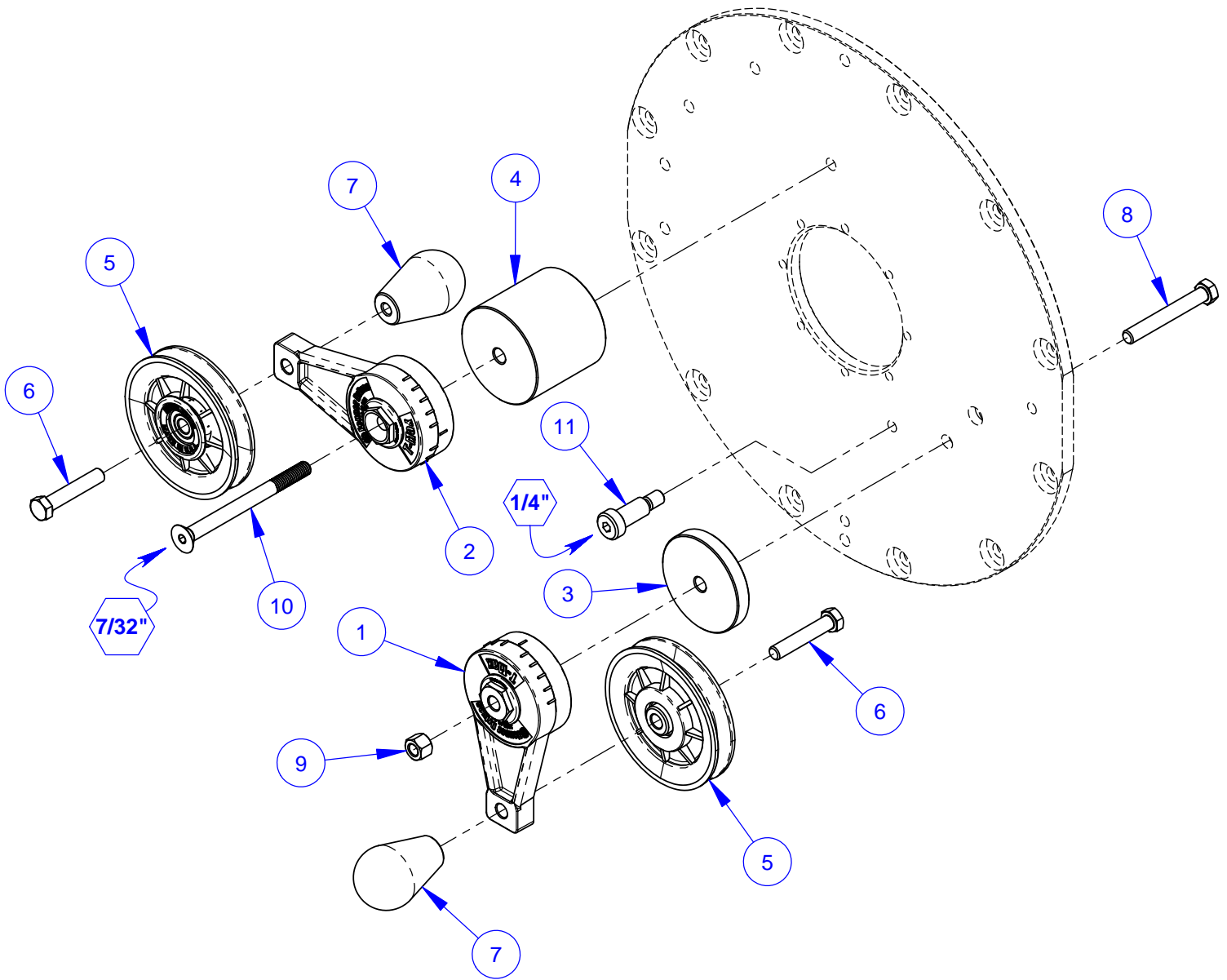
ITEM	PART NO.	QTY.	DESCRIPTION
17	6001313	1	Sheave, 4" x 10 Groove
18	2503760	2	Ball Bearing, 45 x 75 x 16 open
19	6019066	1	Bearing Spacer, 75 x 12
20	2503759	1	Ball Bearing, 45 x 75 x 16 w/seal
21	2503757	1	Retaining Ring, 75mm Internal
22	2503756	1	Seal, 80mm V-Ring

## Belt Drive Assembly #6001044



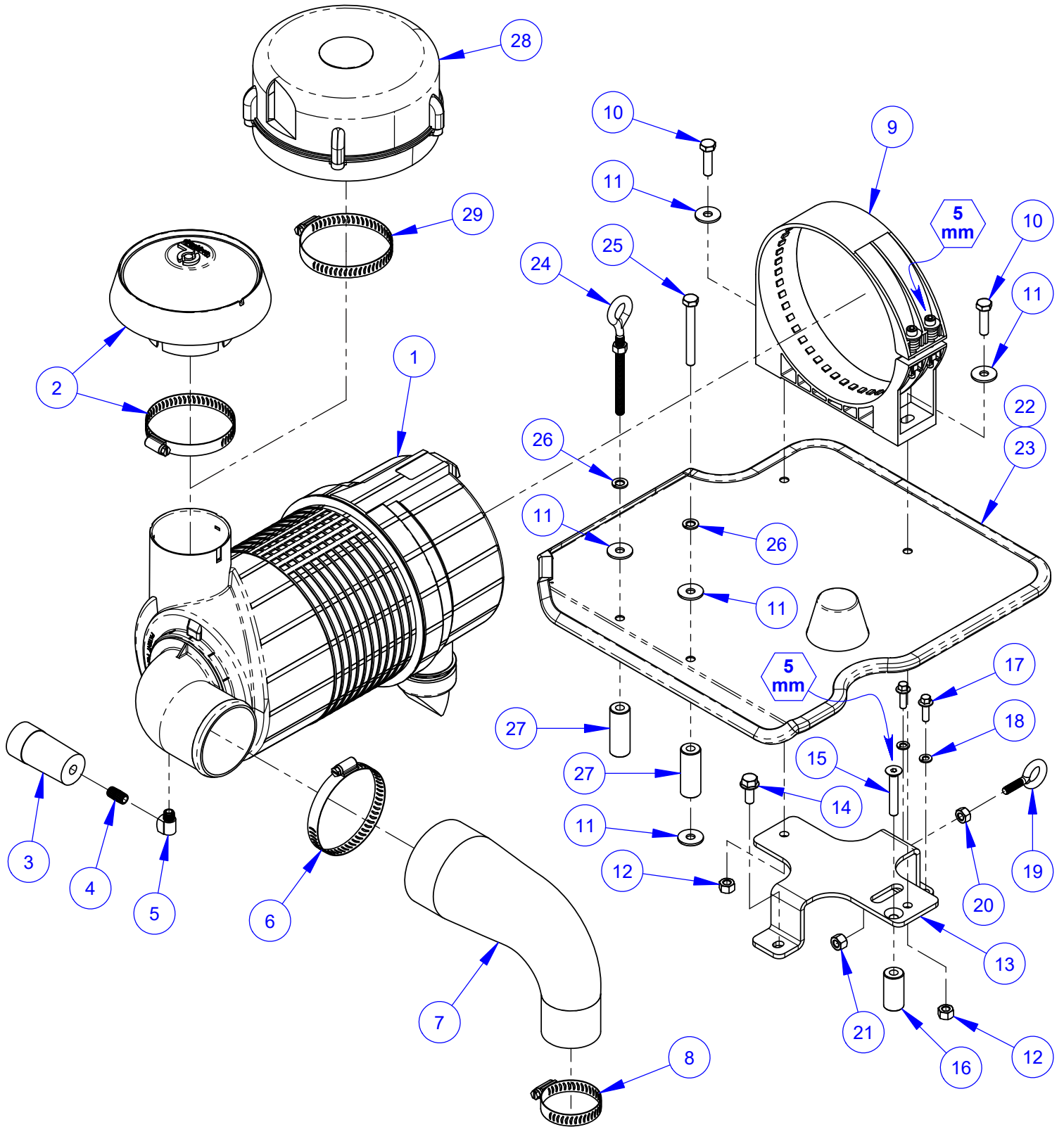
<b>14" &amp; 20" BLADE DRIVE #6001044A</b>			
ITEM	PART NO.	QTY.	DESCRIPTION
1	6012102	1	Sheave, 4" x 8 Groove w/Bushing
	2501382	1	Sheave, 4" x 8 Groove Taper Style
	2501410	1	Taper Bushing, 1-3/4" w/Setscrews
2	2500188	8	V-Belt, 3VX560
3	2505305	1	V-Belt, 3VX350
4	2500034	1	V-Belt, 3VX315
<b>26" &amp; 30" BLADE DRIVE #6001044B</b>			
ITEM	PART NO.	QTY.	DESCRIPTION
1	6010834	1	Sheave, 4.75" x 8 Groove w/Bushing
	2500397	1	Sheave, 4.75" x 8 Groove Taper Style
	2500454	1	Taper Bushing, 1-3/4" w/Setscrews
2	2503849	8	V-Belt, 3VX570
3	2505305	1	V-Belt, 3VX350
4	2500034	1	V-Belt, 3VX315
<b>36" BLADE DRIVE #6001044C</b>			
ITEM	PART NO.	QTY.	DESCRIPTION
1	6010175	1	Sheave, 5.6" x 8 Groove w/Bushing
	2500172	1	Sheave, 5.6" x 8 Groove QD Style
	2500176	1	QD Bushing, SK x 1-3/4" w/Fasteners
2	2503683	8	V-Belt, 3VX580
3	2505305	1	V-Belt, 3VX350
4	2500034	1	V-Belt, 3VX315
<b>42" BLADE DRIVE #6001044D</b>			
ITEM	PART NO.	QTY.	DESCRIPTION
1	6010289	1	Sheave, 6.9" x 8 Groove w/Bushing
	2500866	1	Sheave, 6.9" x 8 Groove QD Style
	2500176	1	QD Bushing, SK x 1-3/4" w/Fasteners
2	2503684	8	V-Belt, 3VX600
3	2505305	1	V-Belt, 3VX350
4	2500034	1	V-Belt, 3VX315

## Rotary Tensioners Assembly #6001043



ITEM	PART NO.	QTY.	DESCRIPTION
1	2504855	1	Rotary Tensioner
2	6001310	1	Rotary Tensioner
3	6001247	1	Rotary Tensioner Spacer
4	6001291	1	Rotary Tensioner Spacer
5	2505312	2	Idler Pulley 4"
6	2900366	2	Tap Screw, Hex Hd., 3/8-16 x 2"
7	2505304	2	Knob, 3/8-16
8	2900028	1	Cap Screw, Hex Hd., 3/8-16 x 2-3/4"
9	2900018	1	Locknut, 3/8-16, Nylon
10	2902447	1	Cap Screw, Flat Hd., 3/8-16 x 4-1/2"
11	2900587	1	Shoulder Screw, 1/2" x 1" (3/8-16)

# Air Intake Assembly #6001009

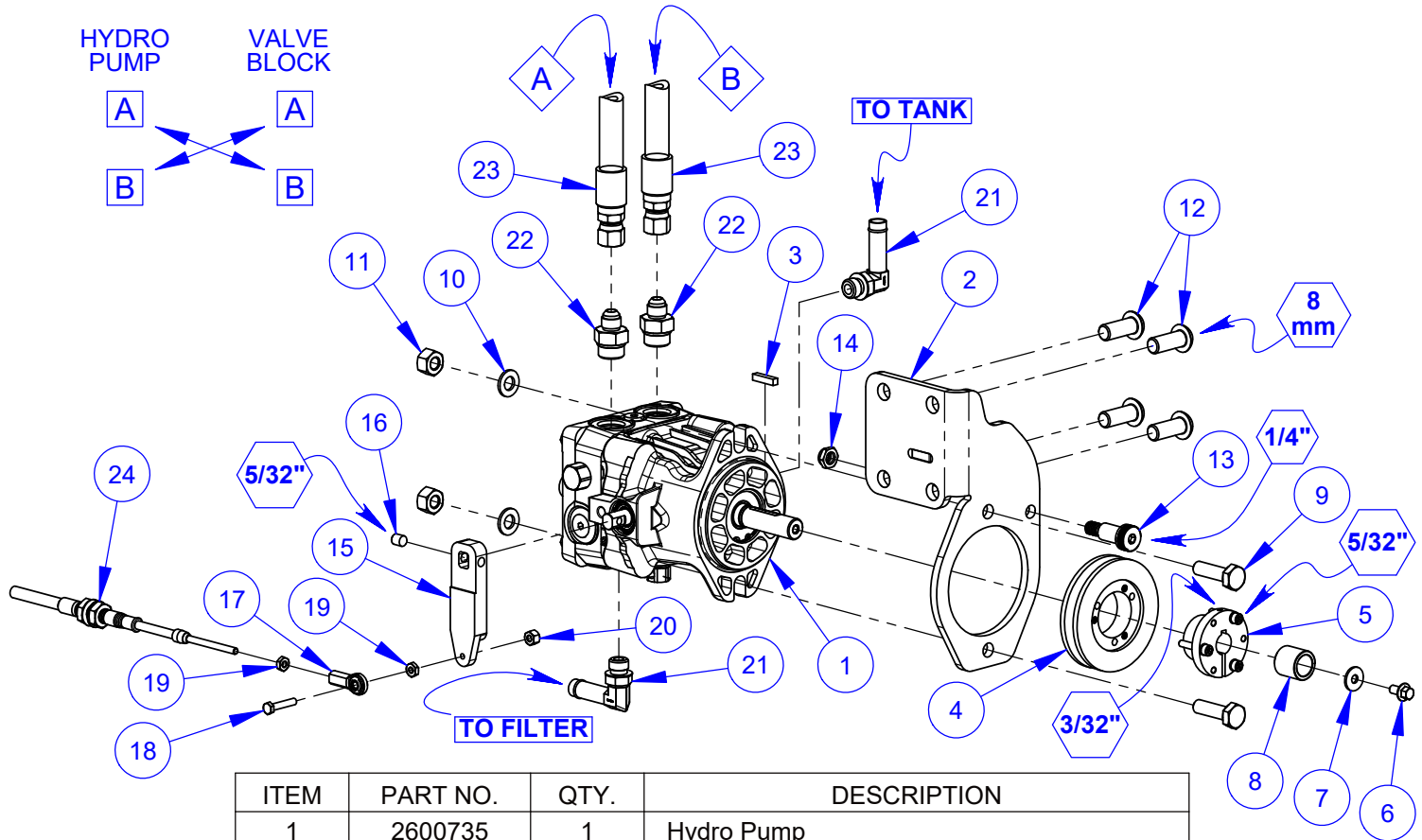


## **Air Intake Assembly #6001009**

ITEM	PART NO.	QTY.	DESCRIPTION
1	2503852	1	Air Cleaner Complete
	2501386	1	Outer Primary Filter
	2501387	1	Inner Safety Filter
	2500239	1	Rubber Dust Ejector Boot
2	2505328	1	Inlet Hood with Clamp
	3200197	1	Hose Clamp #52
3	2500423	1	Restriction Indicator
4	3200117	1	Close Nipple, 1/8" NPT
5	3200156	1	Street Elbow, 1/8" NPT
6	3200197	1	Hose Clamp #52
7	6001339	1	Air Intake Hose
8	3200095	1	Hose Clamp #32
9	2501385	1	Mounting Band, Polymer
10	2900313	2	Cap Screw, Hex Hd., M8-1.25 x 30mm
11	2900383	5	Fender Washer, M8
12	2900303	2	Lock Nut, M8-1.25 Nylon Insert
13	6001218	1	Air Cleaner Mount Platform
14	2900634	1	Cap Screw, Hex Flange, M8-1.25 x 20mm
15	2904000	1	Cap Screw, Flat Hd., M8-1.25 x 50mm
16	6001294	1	Spacer, 1-1/2" Long
17	2900328	2	Cap Screw, Hex Flange, M6-1.0 x 20mm
18	2900765	2	Lock Washer, M6 Split
19	2900720	1	Eyebolt, 5/16-18 x 1"
20	2900141	1	Hex Nut, 5/16-18
21	2900039	1	Lock Nut, 5/16-18 Nylon
22	6001293	1	Air Intake Shield
23	6001296	1	Edge Trim 57"
24	2901379	1	Eyebolt, M8-1.25 x 4" w/Nut
25	2900777	1	Cap Screw, Hex Hd., M8-1.25 x 70mm
26	2900763	2	Lock Washer, M8 Split
27	6001295	2	Spacer, 2" Long

<b>Optional Pre-Cleaner with Clamp #2505339</b>			
ITEM	PART NO.	QTY.	DESCRIPTION
28	2505339A	1	Pre-Cleaner
29	3200197	1	Hose Clamp #52

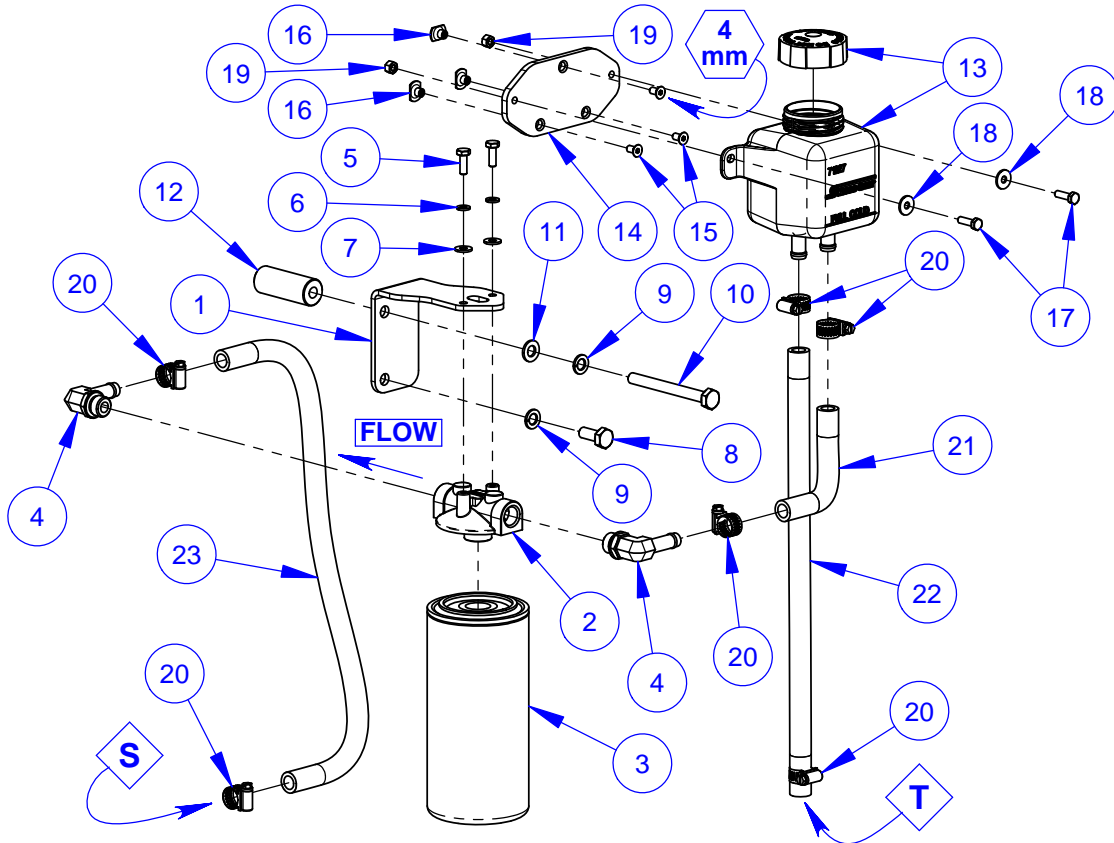
## Hydro Pump Assembly #6001007



ITEM	PART NO.	QTY.	DESCRIPTION
1	2600735	1	Hydro Pump
2	6001217	1	Hydro Pump Mount
3	6047978	1	Key, 3/16" Sq. x 27/32"
4	2505302	1	Sheave, 3.35"
5	2505303	1	QD Bushing, JA x 5/8" w/Fasteners
6	2901370	1	Cap Screw, Hex Flange, M6-1.0 x 12mm
7	2901359	1	Fender Washer, M6
8	6001259	1	Spacer, 21mm long
9	2900315	2	Cap Screw, Hex Hd., M10-1.5 x 35mm
10	2901356	2	Flat Washer, M10
11	2900304	2	Lock Nut, M10-1.5 Nylon Insert
12	2902516	4	Cap Screw, Button Hd., M12-1.75 x 30mm
13	2902004	1	Shoulder Screw, 1/2" x 7/8" (3/8-16)
14	2903246	1	Jam Lock Nut, 3/8-16
15	6017137	1	Control Arm
16	2900429	1	Set Screw, Soc. Hd., 5/16-24 x 1/2"
17	2500791	1	Rod End, #10-32 Female
18	2900687	1	Machine Screw, Hex Hd., #10-32 x 1"
19	2900188	2	Hex Nut, #10-32
20	2900688	1	Lock Nut, #10-32 Nylon
21	3202892	2	Elbow, 3/8" O-Ring to 1/2" Hose Bead
22	3200949	2	Adapter, 1/2" O-Ring to 3/8" M. JIC
23	6001281	2	Hose Assembly 3/8" x 24"
24	2505311	1	Control Cable 46"

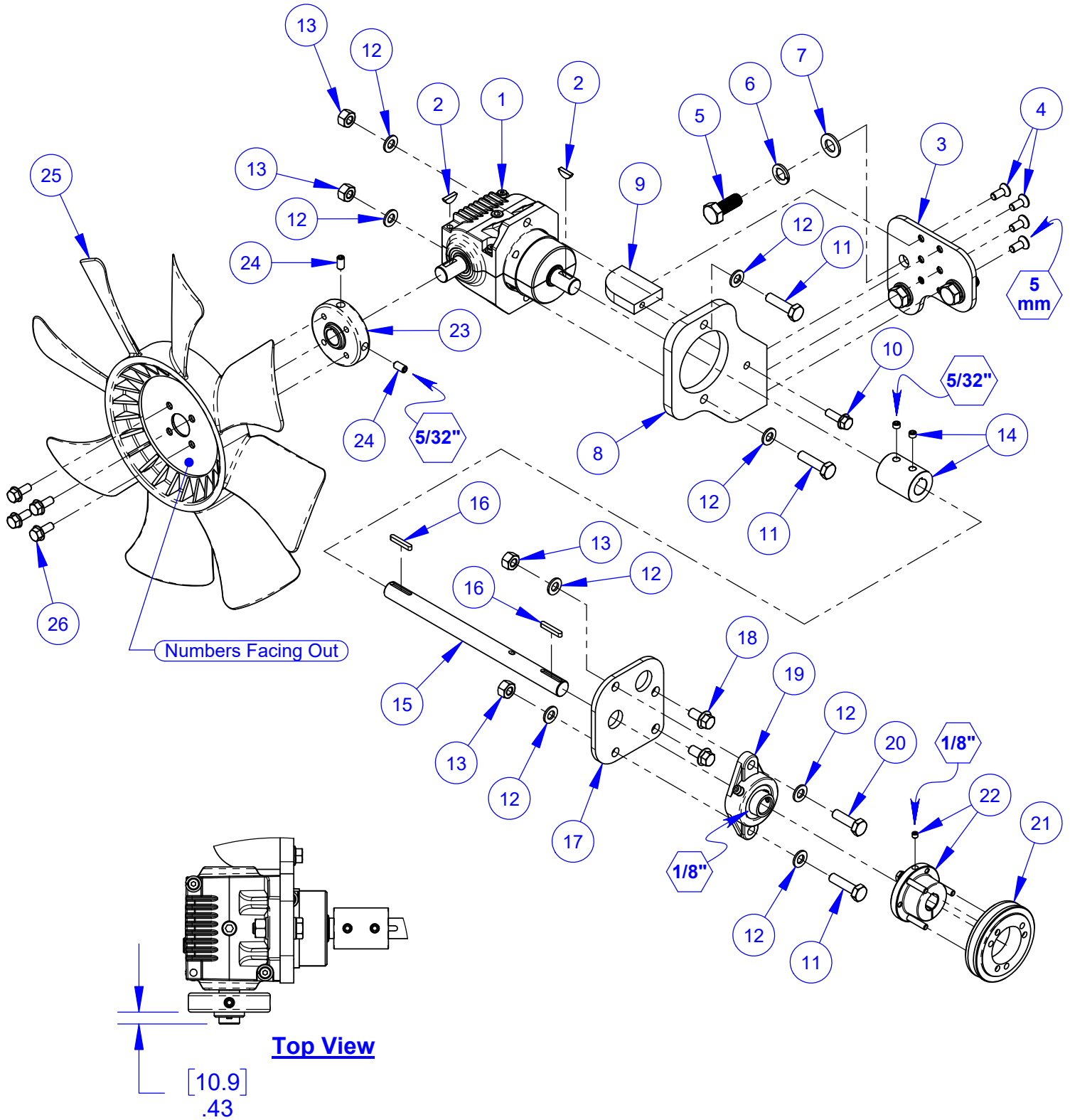


## Reservoir Tank Assembly #6001008



ITEM	PART NO.	QTY.	DESCRIPTION
1	6001245	1	Oil Filter Mount Bracket
2	3201970	1	Filter Head
3	3201971	1	Filter Element
4	3201896	2	Elbow, 1/2" O-Ring to 1/2" Hose Bead
5	2900144	2	Cap Screw, Hex Hd., 1/4-20 x 3/4"
6	2900024	2	Lock Washer, 1/4" Split
7	2900009	2	Flat Washer, 1/4" SAE
8	2900333	1	Cap Screw, Hex Hd., M10-1.5 x 25mm
9	2900321	2	Lock Washer, M10 Split
10	2900320	1	Cap Screw, Hex Hd., M10-1.5 x 100mm
11	2901356	1	Flat Washer, M10
12	6001246	1	Mount Spacer
13	2503796	1	Reservoir Tank & Cap
14	6001244	1	Reservoir Tank Mount
15	2901337	3	Cap Screw, Flat Hd., M6-1.0 x 12mm
16	2902404	3	Tab Base Nut, M6-1.0
17	2900310	2	Cap Screw, Hex Hd., M6-1.0 x 20mm
18	2901359	2	Fender Washer, M6
19	2900302	2	Lock Nut, M6-1.0 Nylon Insert
20	3200016	6	Hose Clamp #8
21	6017238	1	Hose, 1/2" I.D. x 6"
22	6001282	1	Hose, 1/2" I.D. x 17"
23	6001283	1	Hose, 1/2" I.D. x 22"

# Fan Drive Assembly #6001045



## Fan Drive Assembly #6001045

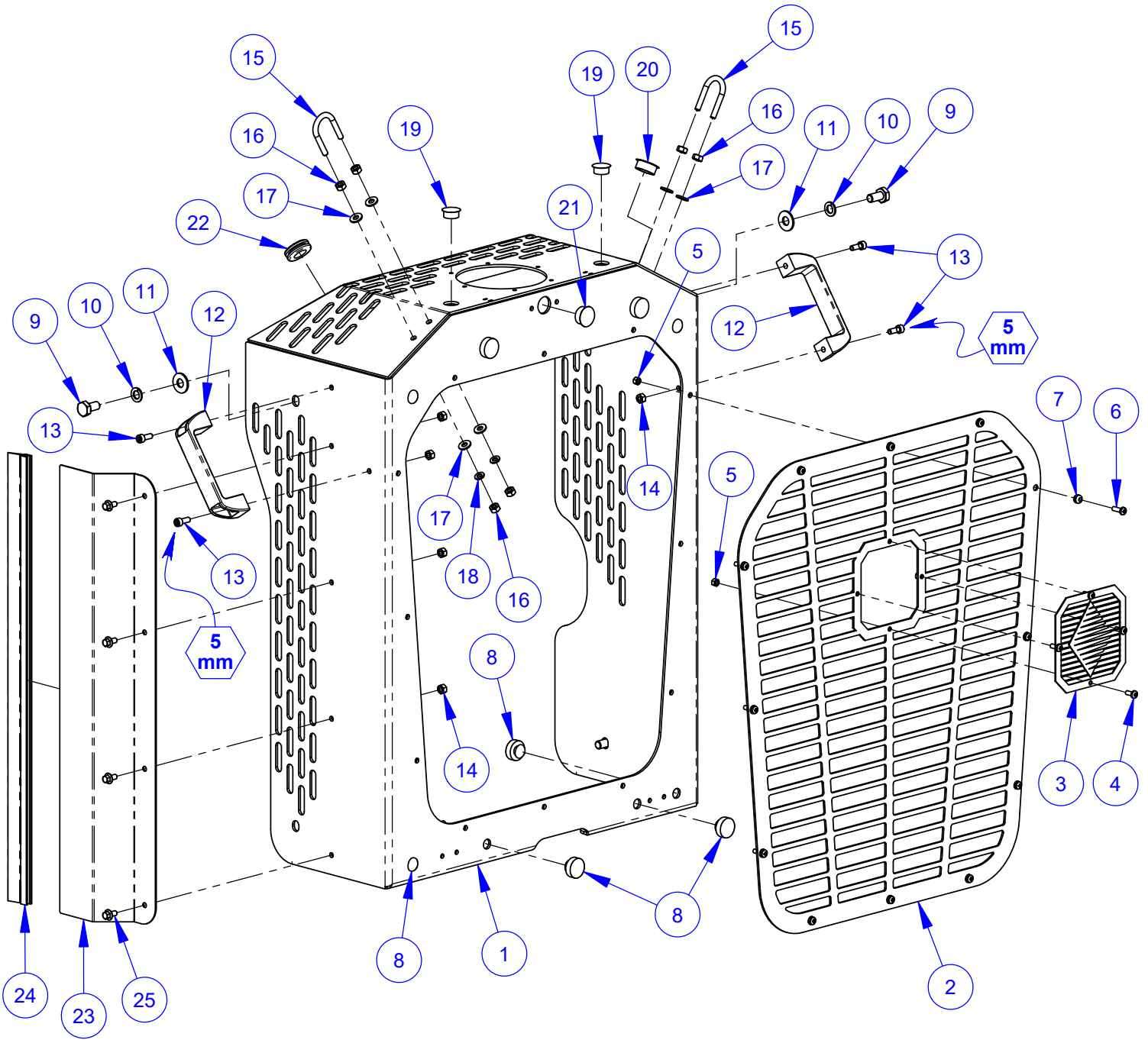
ITEM	PART NO.	QTY.	DESCRIPTION
1	6001312	1	Right Angle Drive
2	2901327	2	Woodruff Key #9, 3/16" x 3/4"
3	6001287	1	Fan Drive Mount Plate
4	2900611	4	Cap Screw, Flat Hd., M8-1.25 x 20mm
5	2900874	3	Cap Screw, Hex Hd., M14-1.5 x 35mm
6	2900875	3	Lock Washer, M14 Split
7	2900326	3	Flat Washer, M14
8	6001288	1	Fan Drive Support Plate
9	6001380	1	Fan Drive Support Gusset
10	2901560	1	Cap Screw, Hex Flange, M8-1.25 x 25mm
11	2900316	3	Cap Screw, Hex Hd., M10-1.5 x 40mm
12	2901356	8	Flat Washer, M10
13	2900304	4	Lock Nut, M10-1.5 Nylon Insert
14	2505314	1	Shaft Coupling
	2900036	2	Set Screw, Soc. Hd., 5/16-18 x 1/4"
15	6001290	1	Fan Drive Shaft Extension
16	2505321	2	Key, 3/16" Sq. x 1-1/4"
17	6001289	1	Bearing Support Plate
18	2901394	2	Flange Bolt, Hex Hd., M10-1.25 x 20mm
19	2500011	1	Bearing, 3/4" Flange Block
20	2900315	1	Cap Screw, Hex Hd., M10-1.5 x 35mm
21	2503672	1	Sheave, 3.65"
22	2503845	1	QD Bushing, SH x 3/4" w/Fasteners
	2900056	1	Set Screw, Soc. Hd., 1/4-20 x 1/4"
	2900048	3	Cap Screw, Hex Hd., 1/4-20 x 1-1/2"
	2900024	3	Lock Washer, 1/4" Split
23	6019055	1	Fan Hub Adapter
24	2900418	2	Set Screw, Soc. Hd., 5/16-18 x 5/8"
25	6017470	1	Cooling Fan, 17"
26	2900634	4	Cap Screw, Hex Flange, M8-1.25 x 20mm



## Radiator Assembly #6001046

ITEM	PART NO.	QTY.	DESCRIPTION
1	2504598	1	Radiator
2	2502381	1	Radiator Cap
3	3202100	1	Radiator Hose, Upper
4	6019264	2	Hose Sleeving, 8" Long
5	3202089	1	Radiator Hose, Lower
6	3202142	4	Hose Clamp #24
7	3200108	1	Ball Valve, 1/4" NPT
8	3202938	1	Plug, 1/4" NPT (Red)
9	6001292	1	Fan Shroud
10	6019234	2	Retainer Bracket
11	2900019	4	Cap Screw, Hex Hd., 5/16-18 x 3/4"
12	2900031	4	Lock Washer, 5/16" Split
13	2900022	4	Flat Washer, 5/16" SAE
14	2902071	7	Cap Screw, Hex Flange, M8-1.25 x 12mm
15	6019346	1	Edge Trim Seal 21"
16	6019112	2	Edge Trim Seal 13-3/4"
17	6019113	2	Edge Trim Seal 3-1/2"
18	6019263	2	Edge Trim Seal 1-5/8"
19	2503669	4	Vibration Isolator
20	2901391	4	Cap Screw, Flat Hd., M12-1.75 x 80mm
21	2900854	4	Fender Washer, 1/2" x 2"
22	2900327	4	Lock Nut, M12-1.75 Nylon Insert

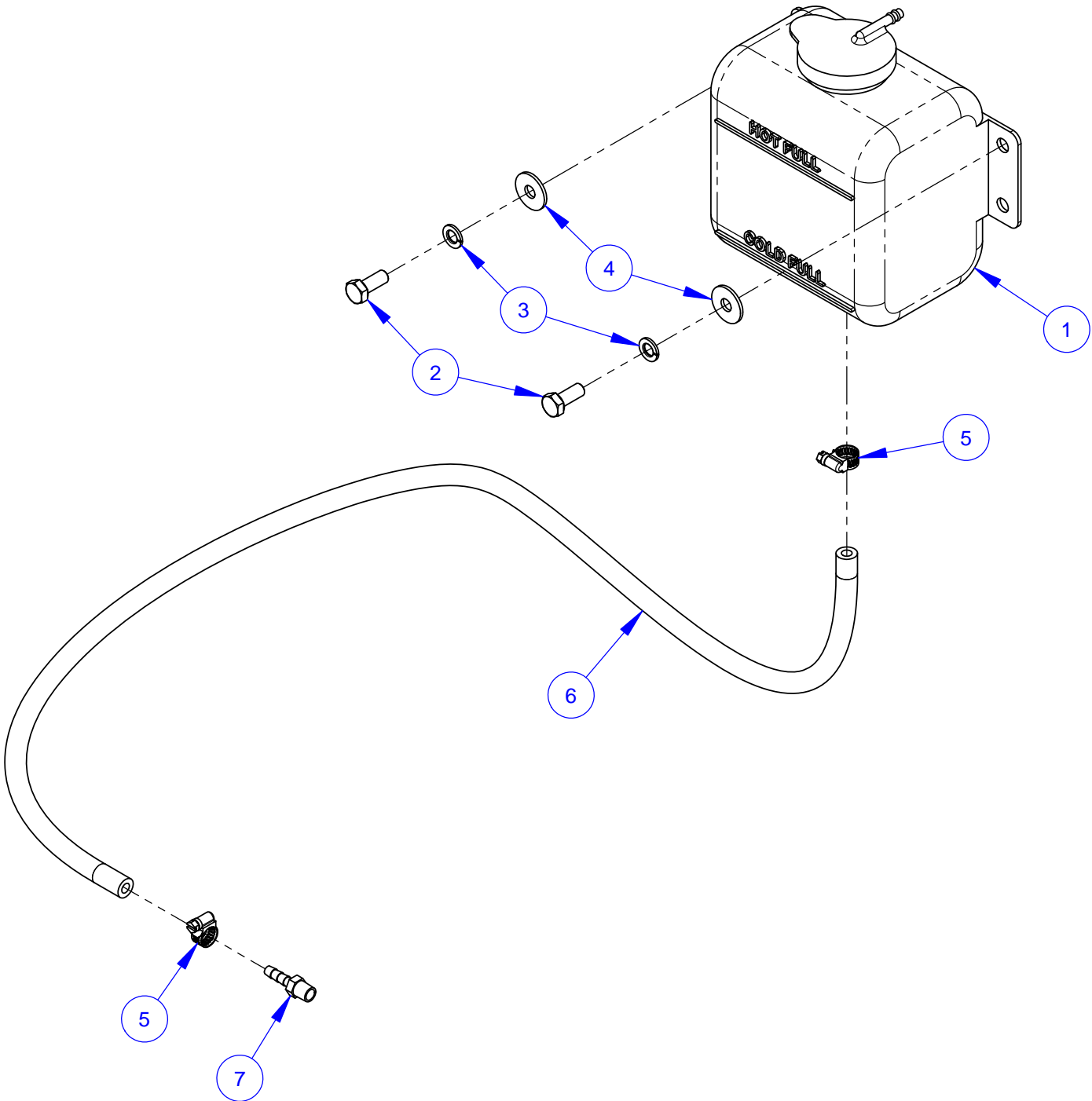
# Radiator Shroud Assembly #6001013



## **Radiator Shroud Assembly #6001013**

ITEM	PART NO.	QTY.	DESCRIPTION
1	6001261	1	Radiator Shroud
2	6001262	1	Radiator Grille
3	6016138	1	Diamond Logo Emblem
4	2900794	4	Machine Screw, Pan Hd., M5-0.8 x 12mm
5	2900301	16	Lock Nut, M5-0.8 Nylon Insert
6	2902122	12	Machine Screw, Pan Hd., M5-0.8 x 16mm
7	2500962	12	Grommet, 3/16" I.D.
8	2502389	8	Button Bumper
9	2900314	3	Cap Screw, Hex Hd., M10-1.5 x 20mm
10	2900321	3	Lock Washer, M10 Split
11	2900473	3	Flat Washer, 3/8" USS
12	2400145	2	Handle
13	2900553	4	Cap Screw, Soc. Hd., M6-1.0 x 16mm
14	2900302	8	Lock Nut, M6-1.0 Nylon Insert
15	2900241	2	U-Bolt, 1/2" Pipe
16	2900125	8	Hex Nut, 1/4-20
17	2900009	8	Flat Washer, 1/4" SAE
18	2900024	4	Lock Washer, 1/4" Split
19	2500463	2	Plug, 3/4" Hole
20	2500489	1	Plug, 1" Hole
21	2500549	1	Plug, 7/8" Hole
22	2508018	1	Grommet, 11/16" I.D.
23	6001297	1	Air Deflector Panel
24	6001298	1	Edge Trim Wiper 23"
25	2901370	4	Cap Screw, Hex Flange, M6-1.0 x 12mm

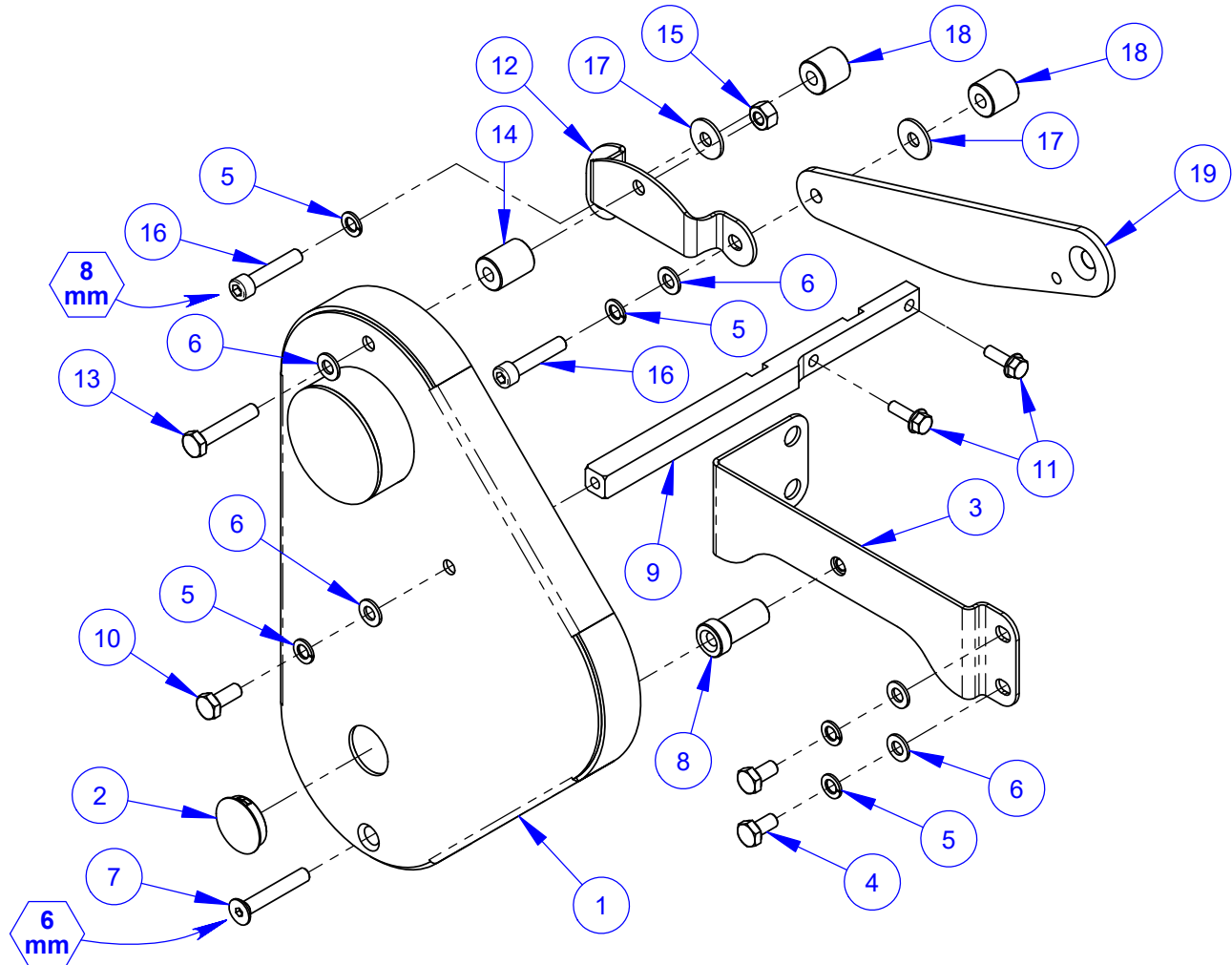
## Coolant Tank Assembly #6001012



ITEM	PART NO.	QTY.	DESCRIPTION
1	2503716	1	Coolant Recovery Tank & Cap
2	2900329	2	Cap Screw, Hex Hd., M8-1.25 x 20mm
3	2900763	2	Lock Washer, M8 Split
4	2900383	2	Fender Washer, M8
5	3200062	2	Hose Clamp #4
6	6019095	1	Hose, 1/4" I.D. x 42" Long
7	3200018	1	Fitting, 1/8" M. Pipe to 1/4" Hose Barb

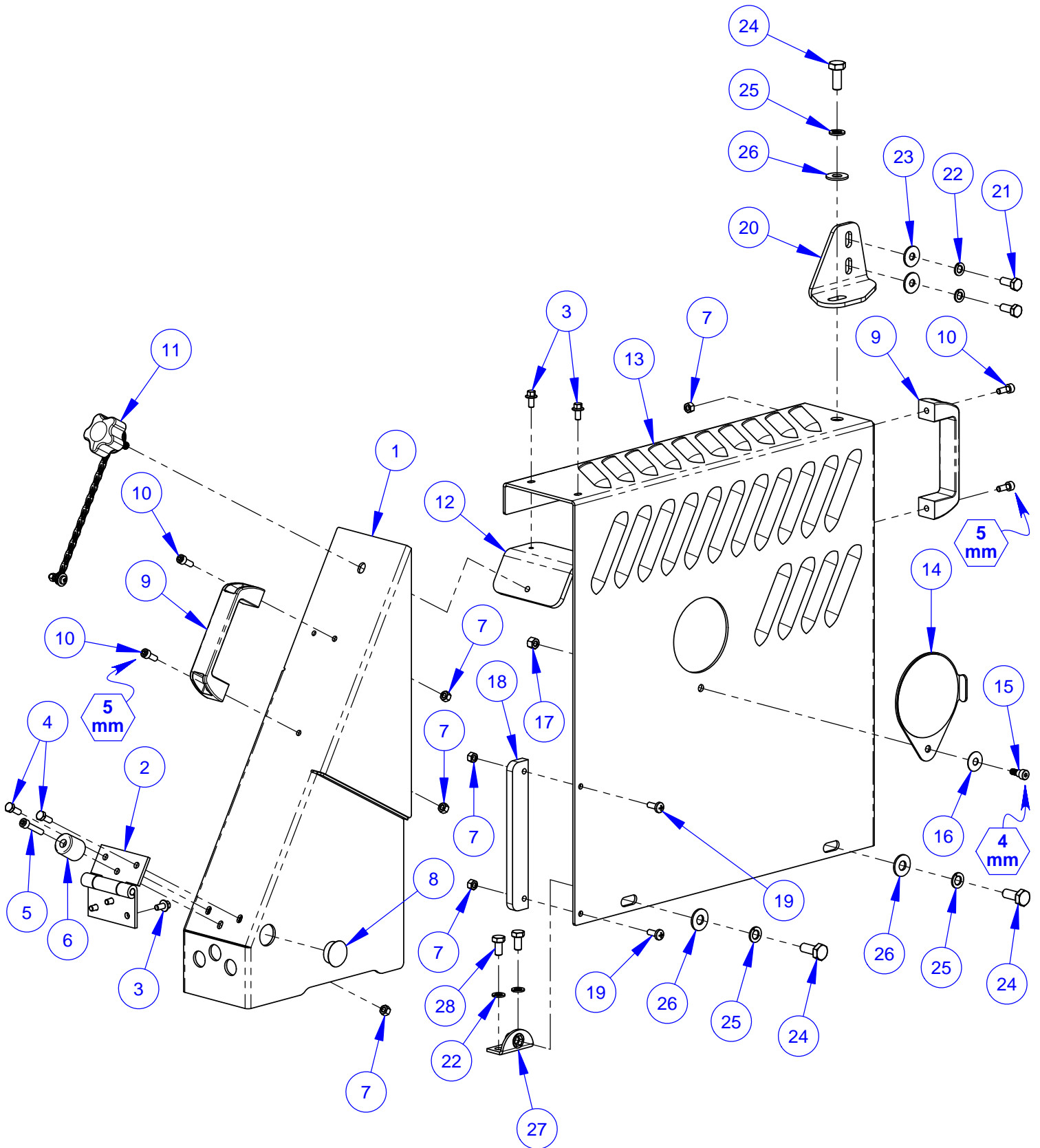


## Engine Belt Guard Assembly #6001010



ITEM	PART NO.	QTY.	DESCRIPTION
1	6001234	1	Belt Guard, Engine
2	2500554	1	Plug, 1-1/2" Hole
3	6001235	1	Support Strap
4	2900314	2	Cap Screw, Hex Hd., M10-1.5 x 20mm
5	2900321	5	Lock Washer, M10 Split
6	2901356	5	Flat Washer, M10
7	2902405	1	Cap Screw, Flat Hd., M10-1.5 x 65mm
8	6019326	1	Guard Post
9	6001237	1	Belt Guard Post
10	2900333	1	Cap Screw, Hex Hd., M10-1.5 x 25mm
11	2901560	2	Cap Screw, Hex Flange, M8-1.25 x 25mm
12	6001236	1	Mount Strap
13	2901348	1	Cap Screw, Hex Hd., M10-1.5 x 55mm
14	6001238	1	Guard Spacer
15	2900304	1	Lock Nut, M10-1.5 Nylon Insert
16	2901506	2	Cap Screw, Soc. Hd., M10-1.5 x 50mm
17	2901360	2	Fender Washer, M10
18	6001239	2	Spacer, 1" Long
19	6001241	1	Radiator Arm, Upper

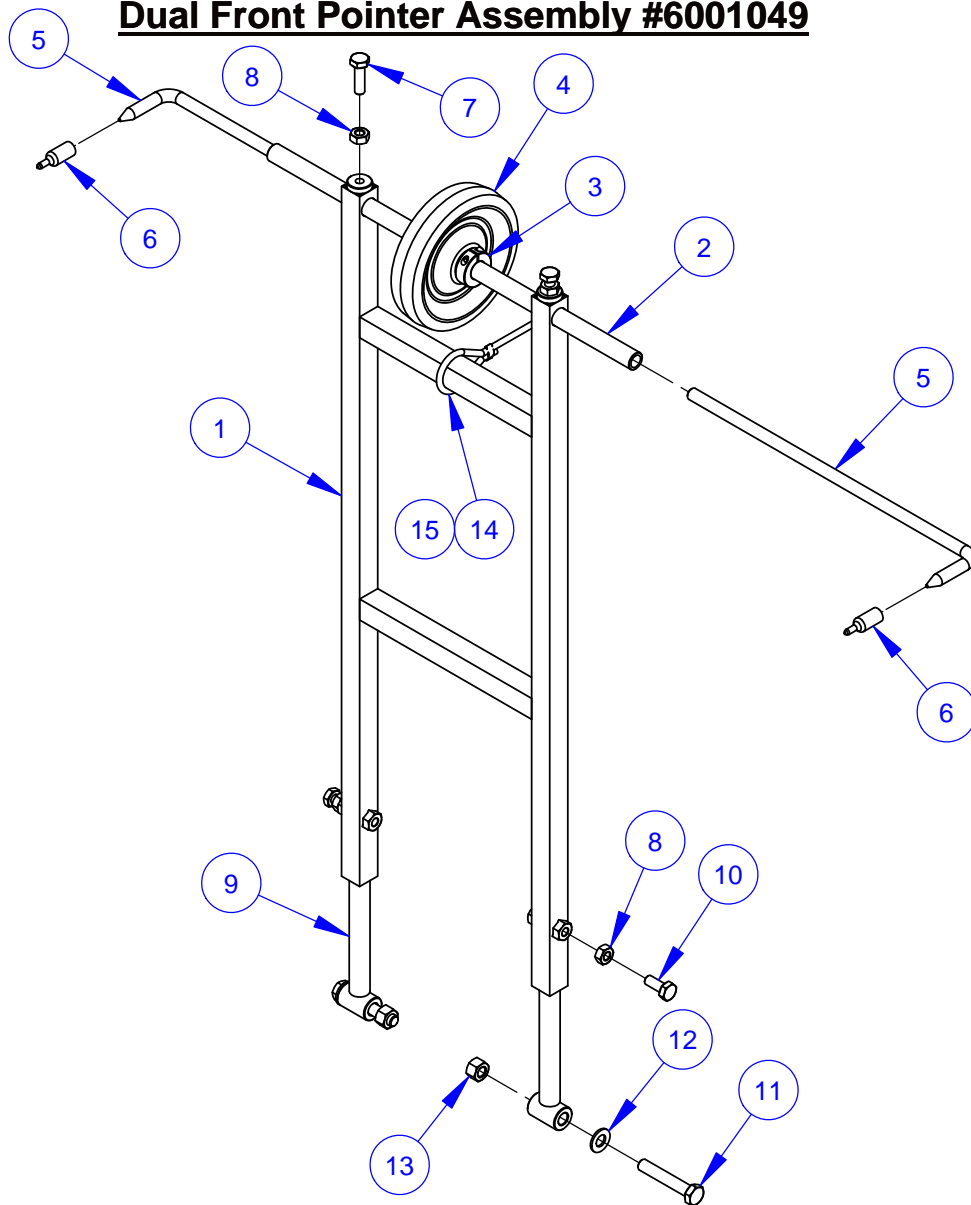
# Belt Guard Assembly #6001047



## Belt Guard Assembly #6001047

ITEM	PART NO.	QTY.	DESCRIPTION
1	6001300	1	Belt Guard (Front)
2	2500270	1	Blade Guard Hinge
3	2901370	5	Cap Screw, Hex Flange, M6-1.0 x 12mm
4	2900341	2	Cap Screw, Hex Hd., M6-1.0 x 16mm
5	2900345	1	Cap Screw, Soc. Hd., M6-1.0 x 30mm
6	2501093	1	Bumper, 1"
7	2900302	9	Lock Nut, M6-1.0 Nylon Insert
8	2500489	1	Plug, 1" Hole
9	2400145	2	Handle
10	2900553	4	Cap Screw, Soc. Hd., M6-1.0 x 16mm
11	6001048	1	Knob Assembly
12	6001302	1	Latch Plate
13	6001301	1	Belt Guard (Rear)
14	6010768	1	Swing Cover Plate with Label
15	2900246	1	Shoulder Screw, 5/16" x 1/4" (1/4-20)
16	2900252	1	Belleville Washer, 5/16"
17	2900010	1	Lock Nut, 1/4-20 Nylon
18	6001304	1	Bridge Bar
19	2901368	2	Machine Screw, Pan Hd., M6-1.0 x 16mm
20	6001266	1	Belt Guard Strap
21	2900329	2	Cap Screw, Hex Hd., M8-1.25 x 20mm
22	2900763	6	Lock Washer, M8 Split
23	2900383	2	Fender Washer, M8
24	2900333	3	Cap Screw, Hex Hd., M10-1.5 x 25mm
25	2900321	3	Lock Washer, M10 Split
26	2900473	3	Flat Washer, 3/8" USS
27	6016119	2	Guard Mounting Tab, M10-1.5
28	2900868	4	Cap Screw, Hex Hd., M8-1.25 x 16mm

## **Dual Front Pointer Assembly #6001049**



ITEM	PART NO.	QTY.	DESCRIPTION
1	6011538	1	Front Pointer Frame, Dual, Metric
2	6011539	1	Pointer Tube, 20"
3	2504577	2	Shaft Collar, 3/4" Split
4	2504581	1	Wheel, 6"
5	6011536	2	Front Pointer Rod, 16"
6	2500740	2	Pointer Cap
7	2900315	2	Cap Screw, Hex Hd., M10-1.5 x 35mm
8	2900325	4	Hex Nut, M10-1.5
9	6011152	2	Front Pointer Arm
10	2900333	2	Cap Screw, Hex Hd., M10-1.5 x 25mm
11	2901345	2	Cap Screw, Hex Hd., M12-1.75 x 70mm
12	2900239	2	Friction Washer, 1/2"
13	2900327	2	Lock Nut, M12-1.75 Nylon Insert
14	6017241	1	Pointer Rope 11 Foot
15	3200221	2	Pinch Clamp, Two Ear

## **Optional Equipment**

Refer to pages 62-96

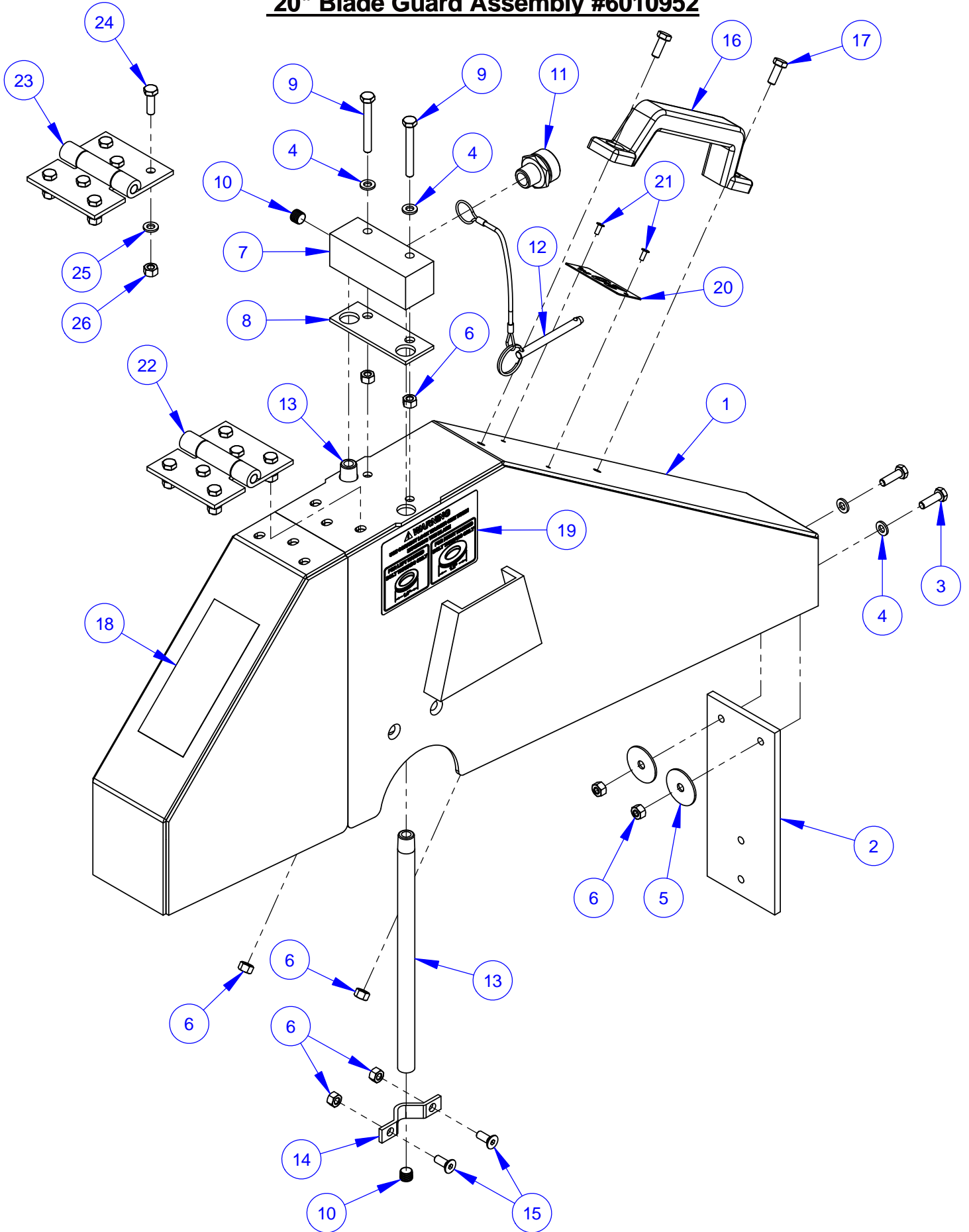


## 14" Blade Guard Assembly #6010950

ITEM	PART NO.	QTY.	DESCRIPTION
1	6010601	1	14" Blade Guard Front & Rear Only
2	6010081	1	Splash Flap
3	2900310	2	Cap Screw, Hex Hd., M6-1.0 x 20mm
4	2901494	4	Flat Washer, M6
5	2900083	2	Fender Washer, 1/4" x 1-1/4"
6	2900302	10	Lock Nut, M6-1.0 Nylon Insert
7	6010261	1	Water Manifold
8	2500830	1	Water Manifold Gasket
9	2901355	2	Cap Screw, Hex Hd., M6-1.0 x 50mm
10	3200001	3	Plug, 1/8" NPT
11	3200002	1	Fitting, 3/8" M. Pipe to 3/4" M. Garden
12	2900278	1	Lanyard with Lock Pin
13	6048283	2	Water Tube for 14" Guard
14	6048155	2	Water Tube Clamp
15	2900308	4	Cap Screw, Flat Hd., M6-1.0 x 16mm
16	2506125	1	Grab Handle
17	2900341	2	Cap Screw, Hex Hd., M6-1.0 x 16mm
18	1800001	1	Warning Label
19	1802090	2	Label, Wedge Locking Washer
20	1801369A	1	Blade Guard Size Tag
21	2900287	2	Rivet, 1/8" Dia.
22	6048026	1	Hinge Assembly

ITEM	PART NO.	QTY.	DESCRIPTION
23	2500270	1	Blade Guard Hinge
24	2900310	5	Cap Screw, Hex Hd., M6-1.0 x 20mm
25	2901494	6	Flat Washer, M6
26	2900302	7	Lock Nut, M6-1.0 Nylon Insert
27	2900312	1	Cap Screw, Hex Hd., M6-1.0 x 35mm

# 20" Blade Guard Assembly #6010952



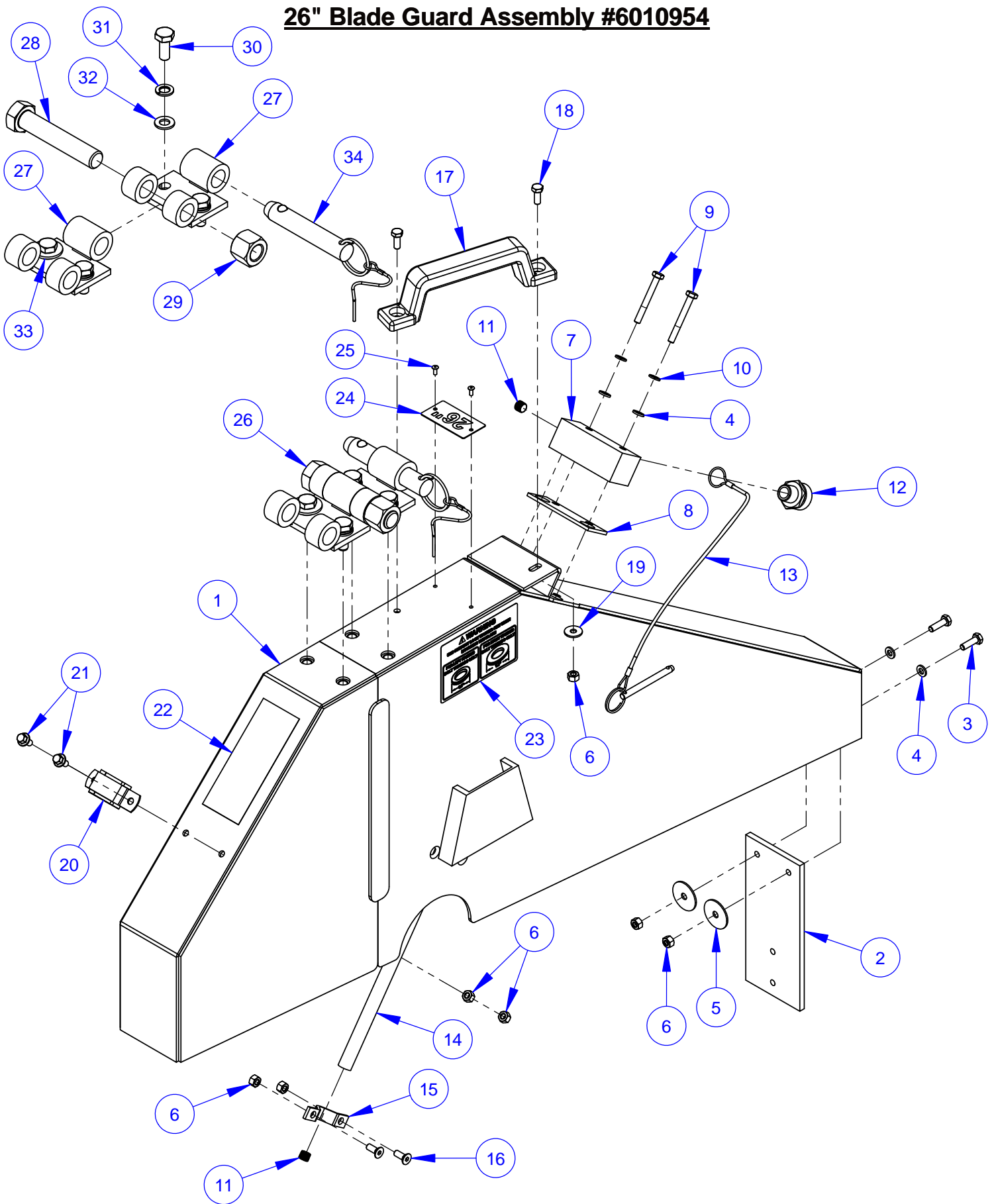


## 20" Blade Guard Assembly #6010952

ITEM	PART NO.	QTY.	DESCRIPTION
1	6010603	1	20" Blade Guard Front & Rear Only
2	6010081	1	Splash Flap
3	2900310	2	Cap Screw, Hex Hd., M6-1.0 x 20mm
4	2901494	4	Flat Washer, M6
5	2900083	2	Fender Washer, 1/4" x 1-1/4"
6	2900302	10	Lock Nut, M6-1.0 Nylon Insert
7	6010261	1	Water Manifold
8	2500830	1	Water Manifold Gasket
9	2901355	2	Cap Screw, Hex Hd., M6-1.0 x 50mm
10	3200001	3	Plug, 1/8" NPT
11	3200002	1	Fitting, 3/8" M. Pipe to 3/4" M. Garden
12	2900278	1	Lanyard with Lock Pin
13	6010085	2	Water Tube for 20" Guard
14	6048155	2	Water Tube Clamp
15	2900308	4	Cap Screw, Flat Hd., M6-1.0 x 16mm
16	2506125	1	Grab Handle
17	2900341	2	Cap Screw, Hex Hd., M6-1.0 x 16mm
18	1800001	1	Warning Label
19	1802090	2	Label, Wedge Locking Washer
20	1801369D	1	Blade Guard Size Tag
21	2900287	2	Rivet, 1/8" Dia.
22	6048027	1	Hinge Assembly

ITEM	PART NO.	QTY.	DESCRIPTION
23	2500270	1	Blade Guard Hinge
24	2900310	6	Cap Screw, Hex Hd., M6-1.0 x 20mm
25	2901494	6	Flat Washer, M6
26	2900302	6	Lock Nut, M6-1.0 Nylon Insert

# 26" Blade Guard Assembly #6010954

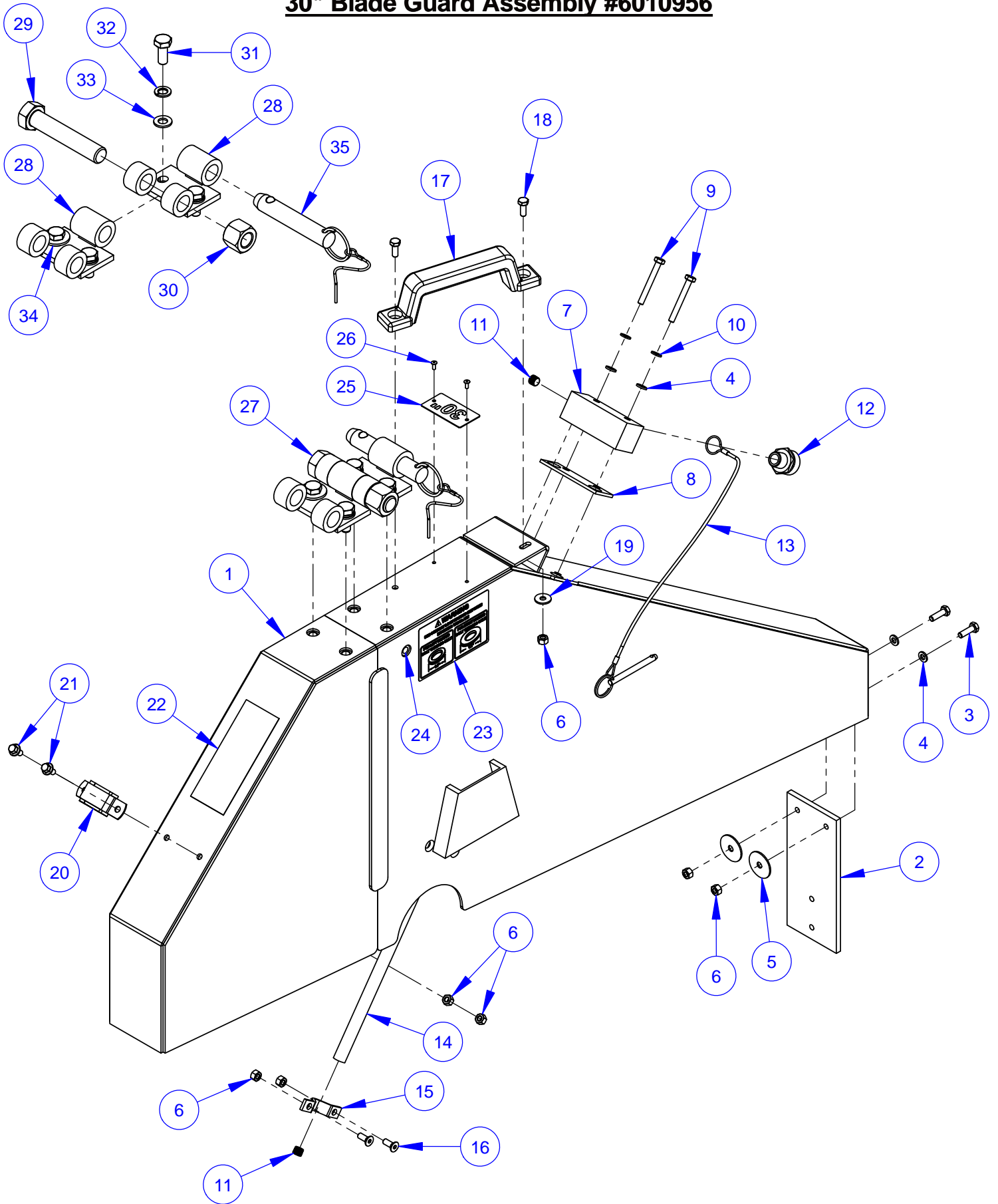


## **26" Blade Guard Assembly #6010954**

ITEM	PART NO.	QTY.	DESCRIPTION
1	6010955	1	26" Blade Guard Front & Rear Only
2	6010081	1	Splash Flap
3	2900310	2	Cap Screw, Hex Hd., M6-1.0 x 20mm
4	2901494	4	Flat Washer, M6
5	2900083	2	Fender Washer, 1/4" x 1-1/4"
6	2900302	10	Lock Nut, M6-1.0 Nylon Insert
7	6010261	1	Water Manifold
8	2500830	1	Water Manifold Gasket
9	2901355	2	Cap Screw, Hex Hd., M6-1.0 x 50mm
10	2900765	2	Lock Washer, M6 Split
11	3200001	3	Plug, 1/8" NPT
12	3200002	1	Fitting, 3/8" M. Pipe to 3/4" M. Garden
13	2900279	1	Lanyard with Lock Pin
14	6010086	2	Water Tube for 26" Guard
15	6048155	2	Water Tube Clamp
16	2900308	4	Cap Screw, Flat Hd., M6-1.0 x 16mm
17	2506125	1	Grab Handle
18	2900341	2	Cap Screw, Hex Hd., M6-1.0 x 16mm
19	2901359	1	Fender Washer, M6
20	3202935	1	Cushion Clamp
21	2901370	2	Cap Screw, Hex Flange, M6-1.0 x 12mm
22	1800001	1	Warning Label
23	1802090	2	Label, Wedge Locking Washer
24	1801369F	1	Blade Guard Size Tag
25	2900287	2	Rivet, 1/8" Dia.
26	6010873	1	Universal Hinge Assembly

ITEM	PART NO.	QTY	DESCRIPTION
27	6010871	2	Hinge Weldment, Universal
28	2900479	1	Cap Screw, Hex Hd., 3/4-10 x 4"
29	2900467	1	Lock Nut, 3/4-10 Nylon
30	2900333	4	Cap Screw, Hex Hd., M10-1.5 x 25mm
31	2900321	4	Lock Washer, M10 Split
32	2901356	4	Flat Washer, M10
33	2901360	1	Fender Washer, M10
34	2503824	1	Detent Pin with Lanyard

# 30" Blade Guard Assembly #6010956

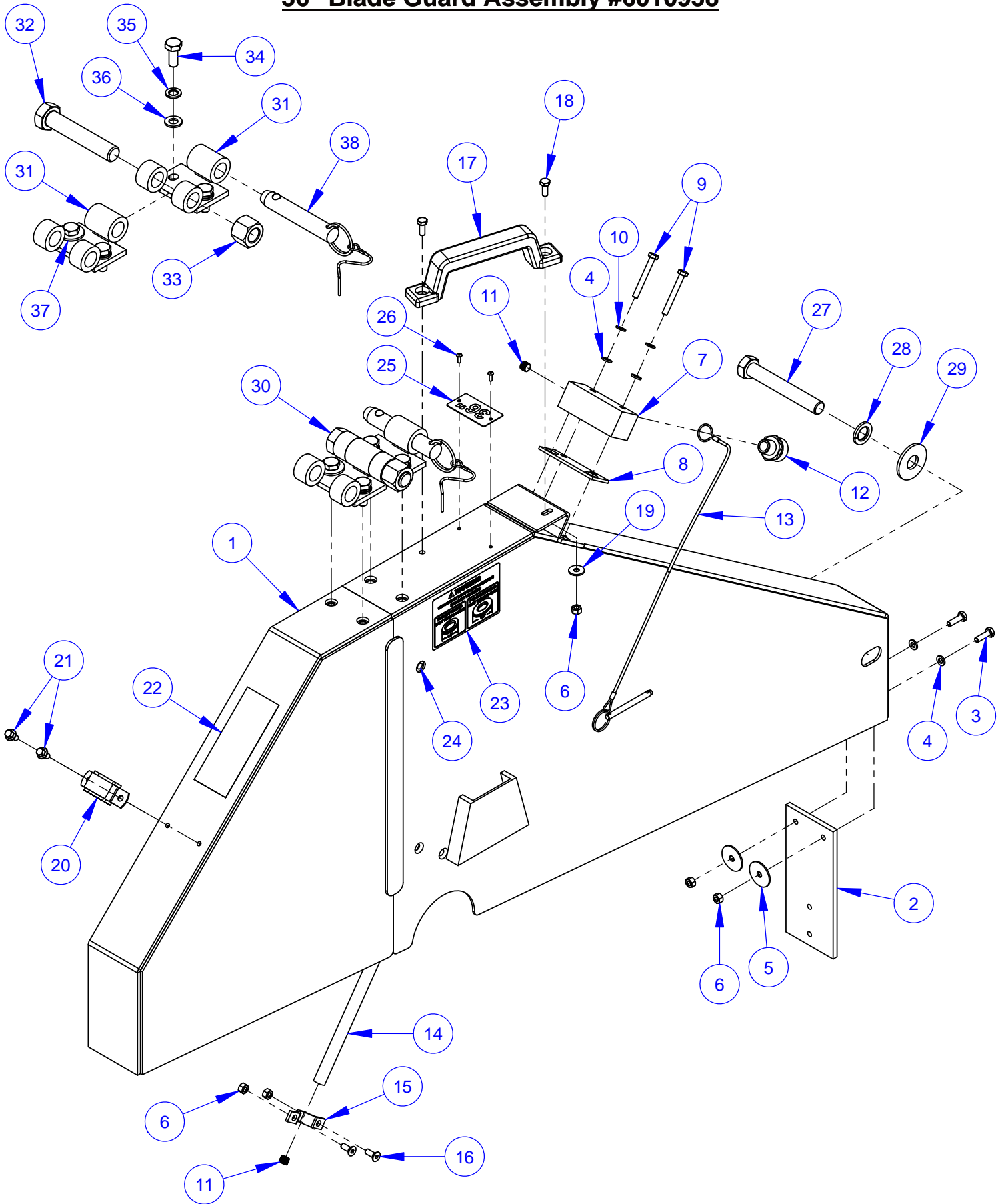


## **30" Blade Guard Assembly #6010956**

ITEM	PART NO.	QTY.	DESCRIPTION
1	6010957	1	30" Blade Guard Front & Rear Only
2	6010081	1	Splash Flap
3	2900310	2	Cap Screw, Hex Hd., M6-1.0 x 20mm
4	2901494	4	Flat Washer, M6
5	2900083	2	Fender Washer, 1/4" x 1-1/4"
6	2900302	10	Lock Nut, M6-1.0 Nylon Insert
7	6010261	1	Water Manifold
8	2500830	1	Water Manifold Gasket
9	2901355	2	Cap Screw, Hex Hd., M6-1.0 x 50mm
10	2900765	2	Lock Washer, M6 Split
11	3200001	3	Plug, 1/8" NPT
12	3200002	1	Fitting, 3/8" M. Pipe to 3/4" M. Garden
13	2900279	1	Lanyard with Lock Pin
14	6010087	2	Water Tube for 30" Guard
15	6048155	2	Water Tube Clamp
16	2900308	4	Cap Screw, Flat Hd., M6-1.0 x 16mm
17	2506125	1	Grab Handle
18	2900341	2	Cap Screw, Hex Hd., M6-1.0 x 16mm
19	2901359	1	Fender Washer, M6
20	3202935	1	Cushion Clamp
21	2901370	2	Cap Screw, Hex Flange, M6-1.0 x 12mm
22	1800001	1	Warning Label
23	1802090	2	Label, Wedge Locking Washer
24	2503749	2	Plug, 5/16" Hole (Tapered)
25	1801369G	1	Blade Guard Size Tag
26	2900287	2	Rivet, 1/8" Dia.
27	6010873	1	Universal Hinge Assembly

ITEM	PART NO.	QTY	DESCRIPTION
28	6010871	2	Hinge Weldment, Universal
29	2900479	1	Cap Screw, Hex Hd., 3/4-10 x 4"
30	2900467	1	Lock Nut, 3/4-10 Nylon
31	2900333	4	Cap Screw, Hex Hd., M10-1.5 x 25mm
32	2900321	4	Lock Washer, M10 Split
33	2901356	4	Flat Washer, M10
34	2901360	1	Fender Washer, M10
35	2503824	1	Detent Pin with Lanyard

# 36" Blade Guard Assembly #6010958

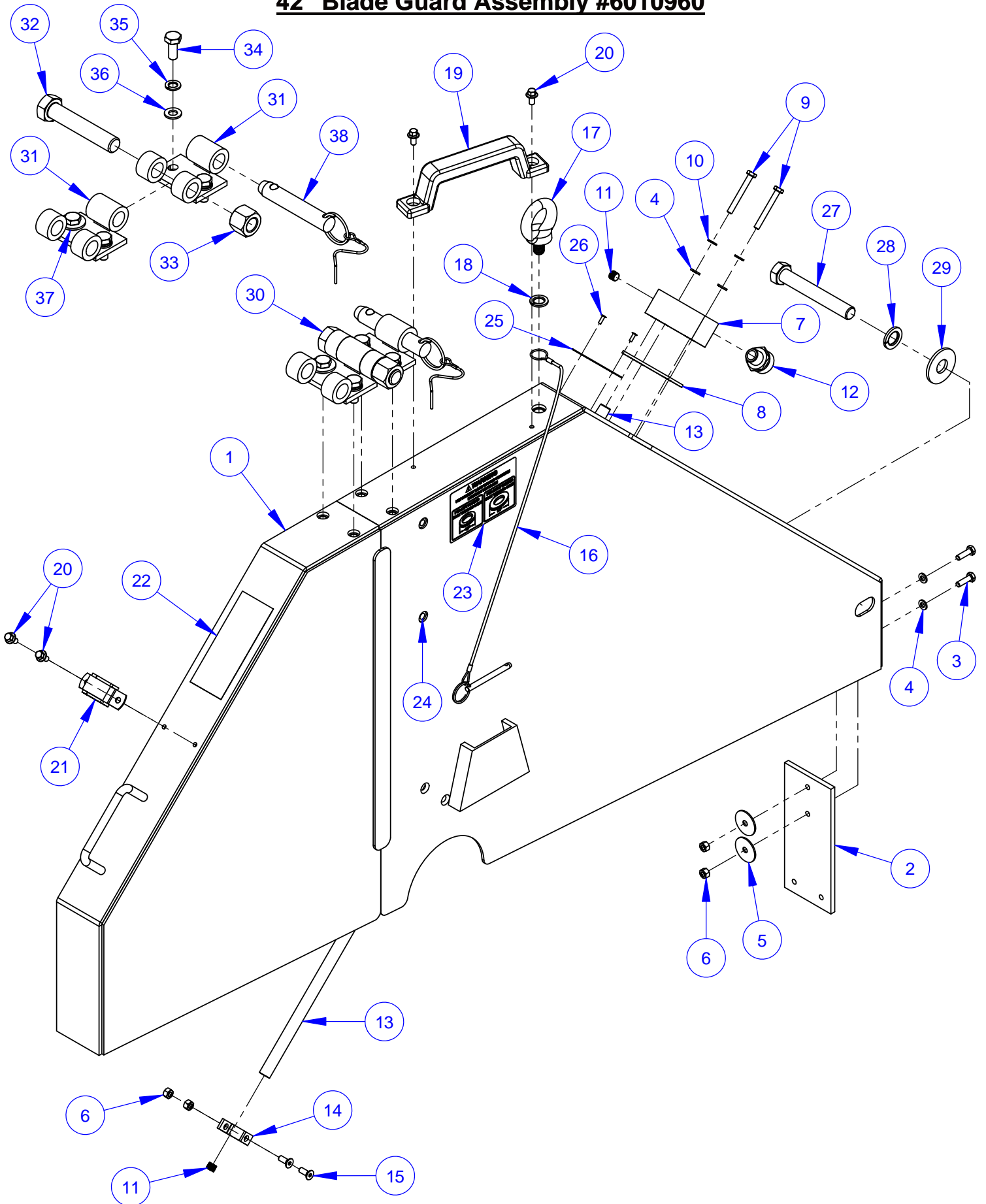


## **36" Blade Guard Assembly #6010958**

ITEM	PART NO.	QTY.	DESCRIPTION
1	6010959	1	36" Blade Guard Front & Rear Only
2	6010081	1	Splash Flap
3	2900310	2	Cap Screw, Hex Hd., M6-1.0 x 20mm
4	2901494	4	Flat Washer, M6
5	2900083	2	Fender Washer, 1/4" x 1-1/4"
6	2900302	8	Lock Nut, M6-1.0 Nylon Insert
7	6010261	1	Water Manifold
8	2500830	1	Water Manifold Gasket
9	2901355	2	Cap Screw, Hex Hd., M6-1.0 x 50mm
10	2900765	2	Lock Washer, M6 Split
11	3200001	3	Plug, 1/8" NPT
12	3200002	1	Fitting, 3/8" M. Pipe to 3/4" M. Garden
13	2900280	1	Lanyard with Lock Pin
14	6010088	2	Water Tube for 36" Guard
15	6048155	2	Water Tube Clamp
16	2900308	4	Cap Screw, Flat Hd., M6-1.0 x 16mm
17	2506125	1	Grab Handle
18	2900341	2	Cap Screw, Hex Hd., M6-1.0 x 16mm
19	2901359	1	Fender Washer, M6
20	3202935	1	Cushion Clamp
21	2901370	2	Cap Screw, Hex Flange, M6-1.0 x 12mm
22	1800001	1	Warning Label
23	1802090	2	Label, Wedge Locking Washer
24	2503749	2	Plug, 5/16" Hole (Tapered)
25	1801369H	1	Blade Guard Size Tag
26	2900639	2	Rivet, 1/8" Dia.
27	2901349	1	Cap Screw, Hex Hd., M16-2.0 x 110mm
28	2900716	1	Lock Washer, M16 Split
29	2900128	1	Flat Washer, 5/8" USS
30	6010873	1	Universal Hinge Assembly

ITEM	PART NO.	QTY	DESCRIPTION
31	6010871	2	Hinge Weldment, Universal
32	2900479	1	Cap Screw, Hex Hd., 3/4-10 x 4"
33	2900467	1	Lock Nut, 3/4-10 Nylon
34	2900333	4	Cap Screw, Hex Hd., M10-1.5 x 25mm
35	2900321	4	Lock Washer, M10 Split
36	2901356	4	Flat Washer, M10
37	2901360	1	Fender Washer, M10
38	2503824	1	Detent Pin with Lanyard

# 42" Blade Guard Assembly #6010960





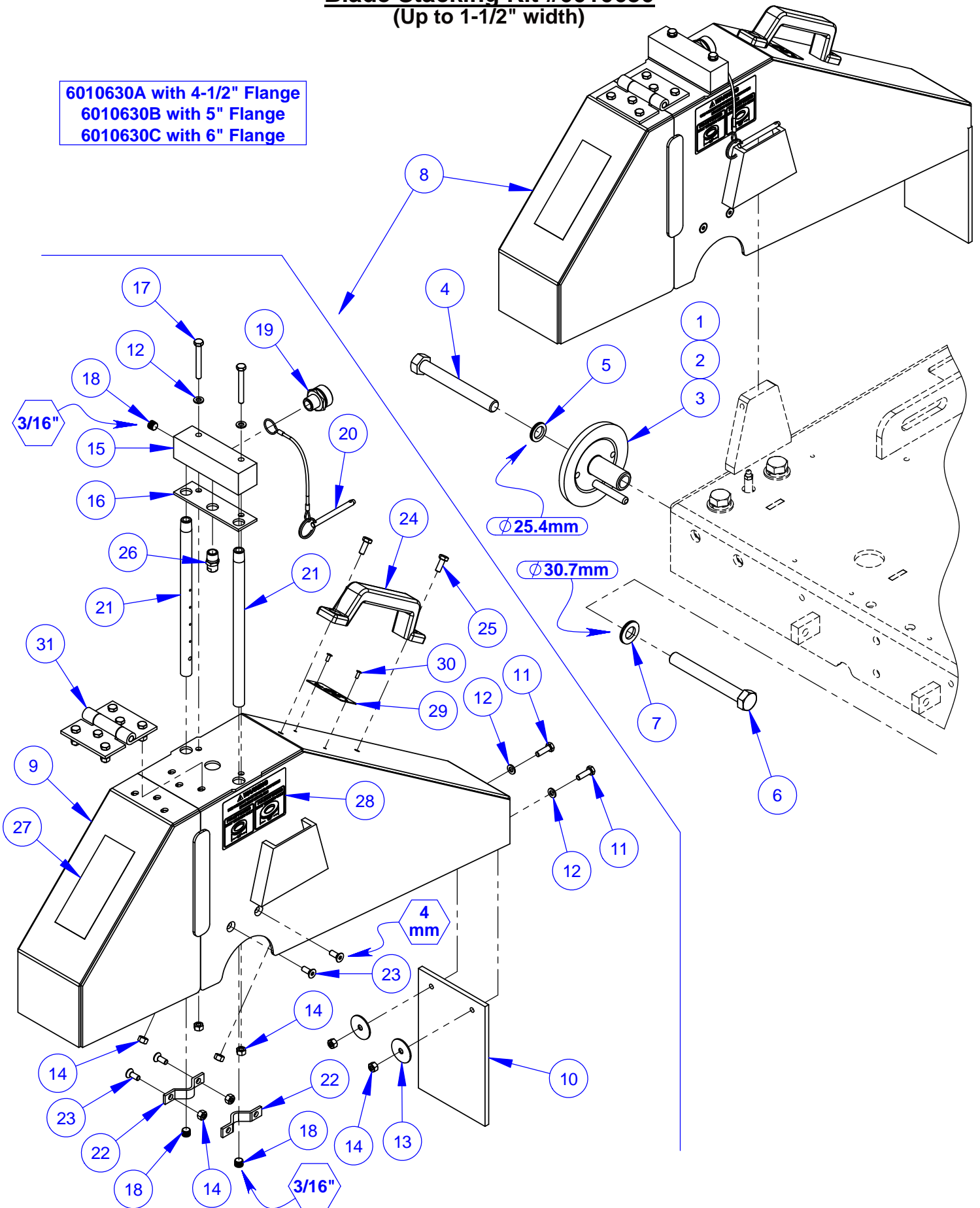
## **42" Blade Guard Assembly #6010960**

ITEM	PART NO.	QTY	DESCRIPTION
1	6010961	1	42" Blade Guard Front & Rear Only
2	6010081	1	Splash Flap
3	2900310	2	Cap Screw, Hex Hd., M6-1.0 x 20mm
4	2901494	4	Flat Washer, M6
5	2900083	2	Fender Washer, 1/4" x 1-1/4"
6	2900302	6	Lock Nut, M6-1.0 Nylon Insert
7	6048123	1	Water Manifold
8	2500829	1	Water Manifold Gasket
9	2901355	2	Cap Screw, Hex Hd., M6-1.0 x 50mm
10	2900765	2	Lock Washer, M6 Split
11	3200001	3	Plug, 1/8" NPT
12	3200002	1	Fitting, 3/8" M. Pipe to 3/4" M. Garden
13	6010114	2	Water Tube for 42" Guard
14	6048155	2	Water Tube Clamp
15	2900308	4	Cap Screw, Flat Hd., M6-1.0 x 16mm
16	2900280	1	Lanyard with Lock Pin
17	2902138	1	Eye Bolt, M12-1.75
18	2900699	1	Lock Washer, M12 Split
19	2506125	1	Grab Handle
20	2901370	4	Cap Screw, Hex Flange, M6-1.0 x 12mm
21	3202935	1	Cushion Clamp
22	1800001	1	Warning Label
23	1802090	2	Label, Wedge Locking Washer
24	2503749	4	Plug, 5/16" Hole (Tapered)
25	1801369I	1	Blade Guard Size Tag
26	2900639	2	Rivet, 1/8" Dia.
27	2901349	1	Cap Screw, Hex Hd., M16-2.0 x 110mm
28	2900716	1	Lock Washer, M16 Split
29	2900128	1	Flat Washer, 5/8" USS
30	6010873	1	Universal Hinge Assembly

ITEM	PART NO.	QTY	DESCRIPTION
31	6010871	2	Hinge Weldment, Universal
32	2900479	1	Cap Screw, Hex Hd., 3/4-10 x 4"
33	2900467	1	Lock Nut, 3/4-10 Nylon
34	2900333	4	Cap Screw, Hex Hd., M10-1.5 x 25mm
35	2900321	4	Lock Washer, M10 Split
36	2901356	4	Flat Washer, M10
37	2901360	1	Fender Washer, M10
38	2503824	1	Detent Pin with Lanyard

# Blade Stacking Kit #6010630 (Up to 1-1/2" width)

6010630A with 4-1/2" Flange  
6010630B with 5" Flange  
6010630C with 6" Flange



**Blade Stacking Kit #6010630**  
(Up to 1-1/2" width)

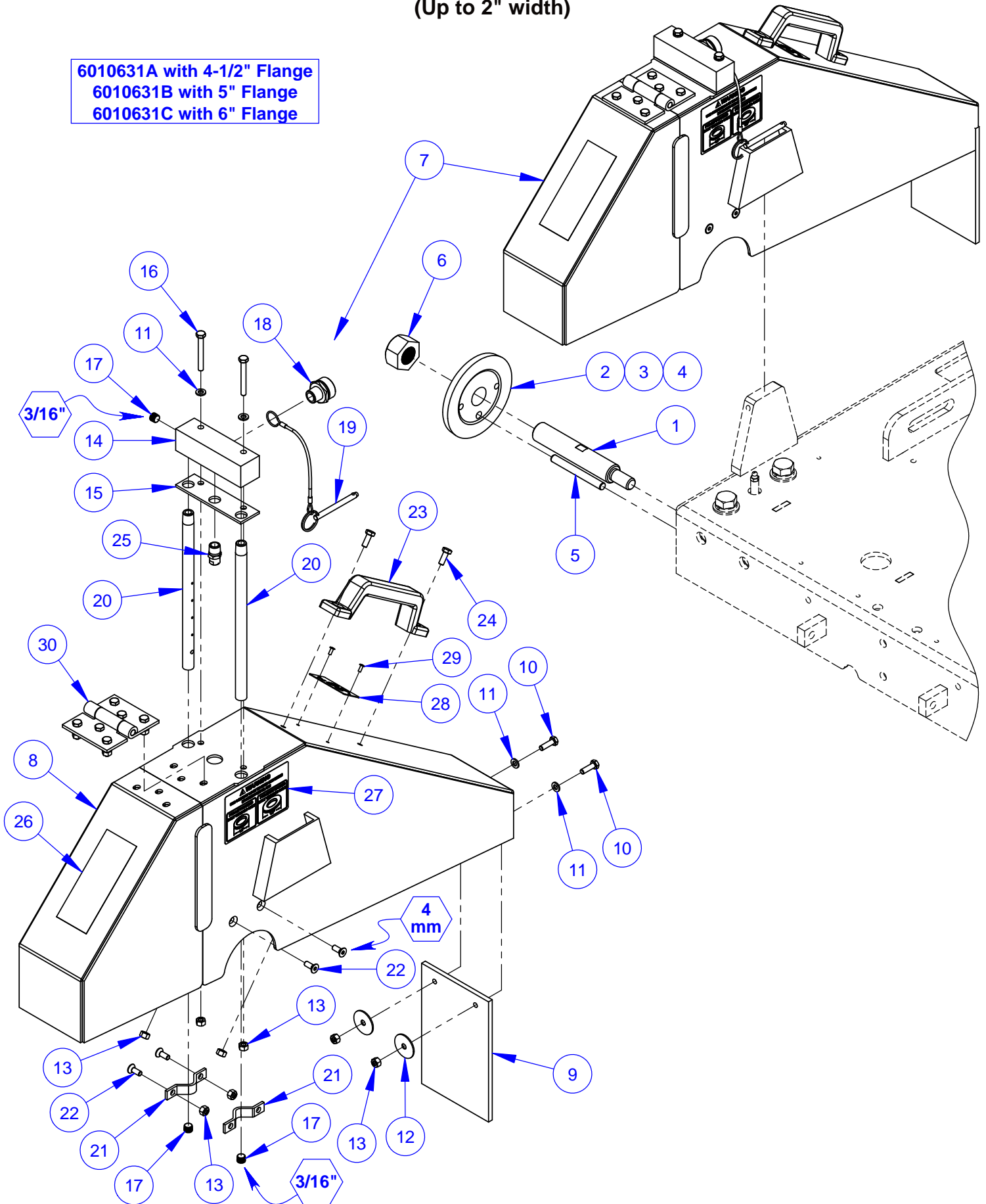
6010630A with 4-1/2" Flange  
6010630B with 5" Flange  
6010630C with 6" Flange

ITEM	PART NO.	6010630A QTY.	6010630B QTY.	6010630C QTY.	DESCRIPTION
1	6010159	1	-	-	Outer Flange 4-1/2" x 3" with Pin
2	6011183	-	1	-	Outer Flange 5" x 3" with Pin
3	6010477	-	-	1	Outer Flange 6" x 3" with Pin
4	2900210	1	1	1	Cap Screw, Hex Hd., 5/8-11 x 5" LH
5	2901569	1	1	1	Wedge Lock Washer Pair, 5/8" LH
6	2900502	1	1	1	Cap Screw, Hex Hd., 5/8-11 x 5"
7	2900412	1	1	1	Wedge Lock Washer Pair, 5/8"
8	6010620	1	1	1	20" Wide Blade Guard Assembly

ITEM	PART NO.	QTY.	DESCRIPTION
9	6010621	1	20" Wide Blade Guard Front & Rear Only
10	6010296	1	Splash Flap
11	2900310	2	Cap Screw, Hex Hd., M6-1.0 x 20mm
12	2901494	4	Flat Washer, M6
13	2900083	2	Fender Washer, 1/4" x 1-1/4"
14	2900302	10	Lock Nut, M6-1.0 Nylon Insert
15	6010288	1	Water Manifold
16	2500988	1	Water Manifold Gasket
17	2901355	2	Cap Screw, Hex Hd., M6-1.0 x 50mm
18	3200001	3	Plug, 1/8" NPT
19	3200002	1	Fitting, 3/8" M. Pipe to 3/4" M. Garden
20	2900278	1	Lanyard with Lock Pin
21	6010085	2	Water Tube for 20" Guard
22	6048155	2	Water Tube Clamp
23	2900308	4	Cap Screw, Flat Hd., M6-1.0 x 16mm
24	2506125	1	Grab Handle
25	2900341	2	Cap Screw, Hex Hd., M6-1.0 x 16mm
26	3200208	1	Nozzle, 1/4" NPT
27	1800001	1	Warning Label
28	1802090	2	Label, Wedge Locking Washer
29	1801369D	1	Blade Guard Size Tag
30	2900287	2	Rivet, 1/8" Dia.
31	6048027	1	Hinge Assembly

# Blade Spacing Kit #6010631 (Up to 2" width)

6010631A with 4-1/2" Flange  
6010631B with 5" Flange  
6010631C with 6" Flange



**Blade Spacing Kit #6010631**  
(Up to 2" width)

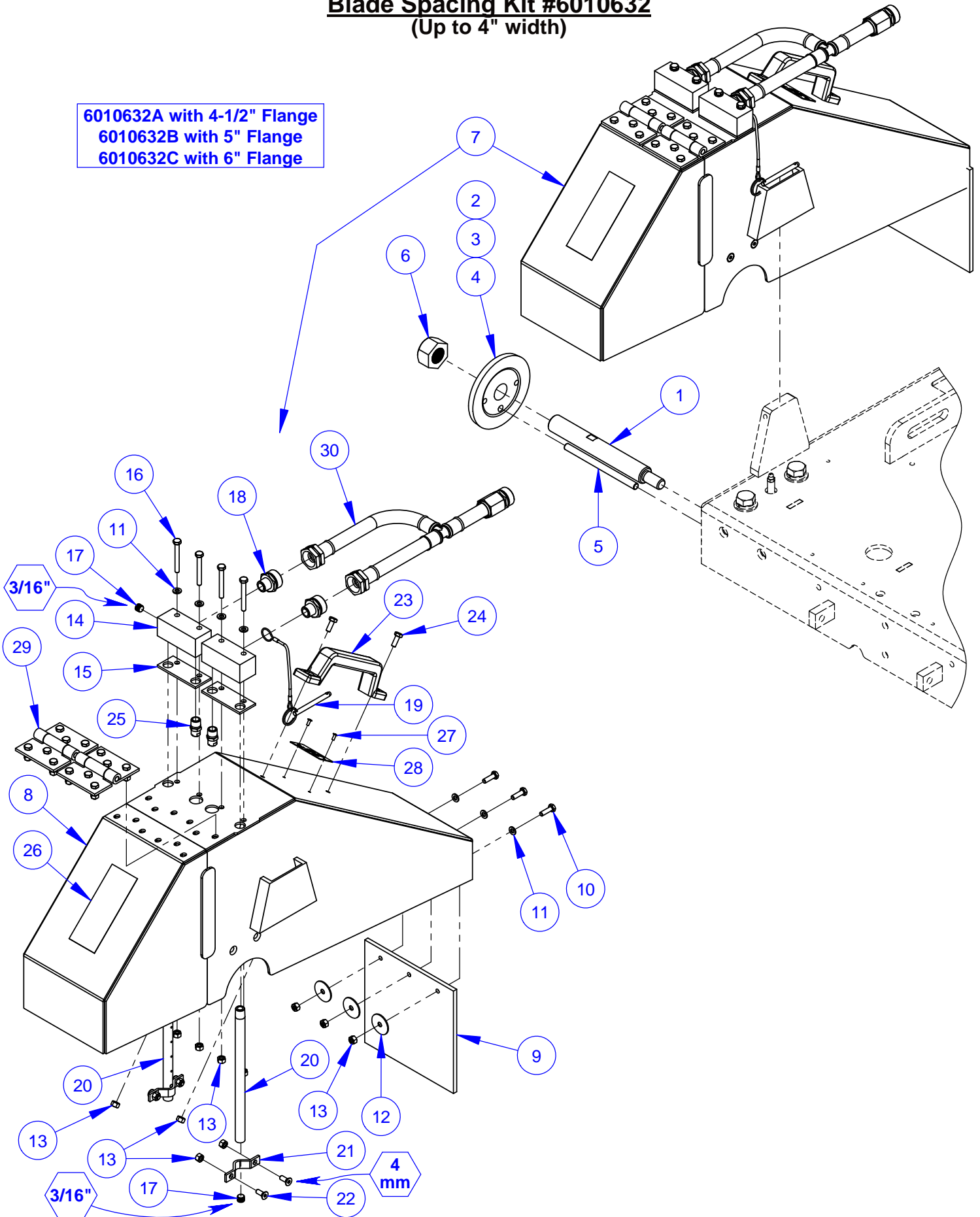
6010631A with 4-1/2" Flange  
6010631B with 5" Flange  
6010631C with 6" Flange

ITEM	PART NO.	6010631A QTY.	6010631B QTY.	6010631C QTY.	DESCRIPTION
1	6010186	1	1	1	Blade Shaft Extension, Left Hand Thread
2	6010187	1	-	-	Outer Flange 4-1/2"
3	6011184	-	1	-	Outer Flange 5"
4	6010335	-	-	1	Outer Flange 6"
5	2900218	1	1	1	Dowel Pin, 3/8" Dia. x 3-1/2"
6	2900212	1	1	1	Hex Nut, 1"-14 Left Hand
7	6010620	1	1	1	20" Wide Blade Guard Assembly

ITEM	PART NO.	QTY.	DESCRIPTION
8	6010621	1	20" Wide Blade Guard Front & Rear Only
9	6010296	1	Splash Flap
10	2900310	2	Cap Screw, Hex Hd., M6-1.0 x 20mm
11	2901494	4	Flat Washer, M6
12	2900083	2	Fender Washer, 1/4" x 1-1/4"
13	2900302	10	Lock Nut, M6-1.0 Nylon Insert
14	6010288	1	Water Manifold
15	2500988	1	Water Manifold Gasket
16	2901355	2	Cap Screw, Hex Hd., M6-1.0 x 50mm
17	3200001	3	Plug, 1/8" NPT
18	3200002	1	Fitting, 3/8" M. Pipe to 3/4" M. Garden
19	2900278	1	Lanyard with Lock Pin
20	6010085	2	Water Tube for 20" Guard
21	6048155	2	Water Tube Clamp
22	2900308	4	Cap Screw, Flat Hd., M6-1.0 x 16mm
23	2506125	1	Grab Handle
24	2900341	2	Cap Screw, Hex Hd., M6-1.0 x 16mm
25	3200208	1	Nozzle, 1/4" NPT
26	1800001	1	Warning Label
27	1802090	2	Label, Wedge Locking Washer
28	1801369D	1	Blade Guard Size Tag
29	2900287	2	Rivet, 1/8" Dia.
30	6048027	1	Hinge Assembly

# Blade Spacing Kit #6010632 (Up to 4" width)

6010632A with 4-1/2" Flange  
 6010632B with 5" Flange  
 6010632C with 6" Flange



**Blade Spacing Kit #6010632**  
(Up to 4" width)

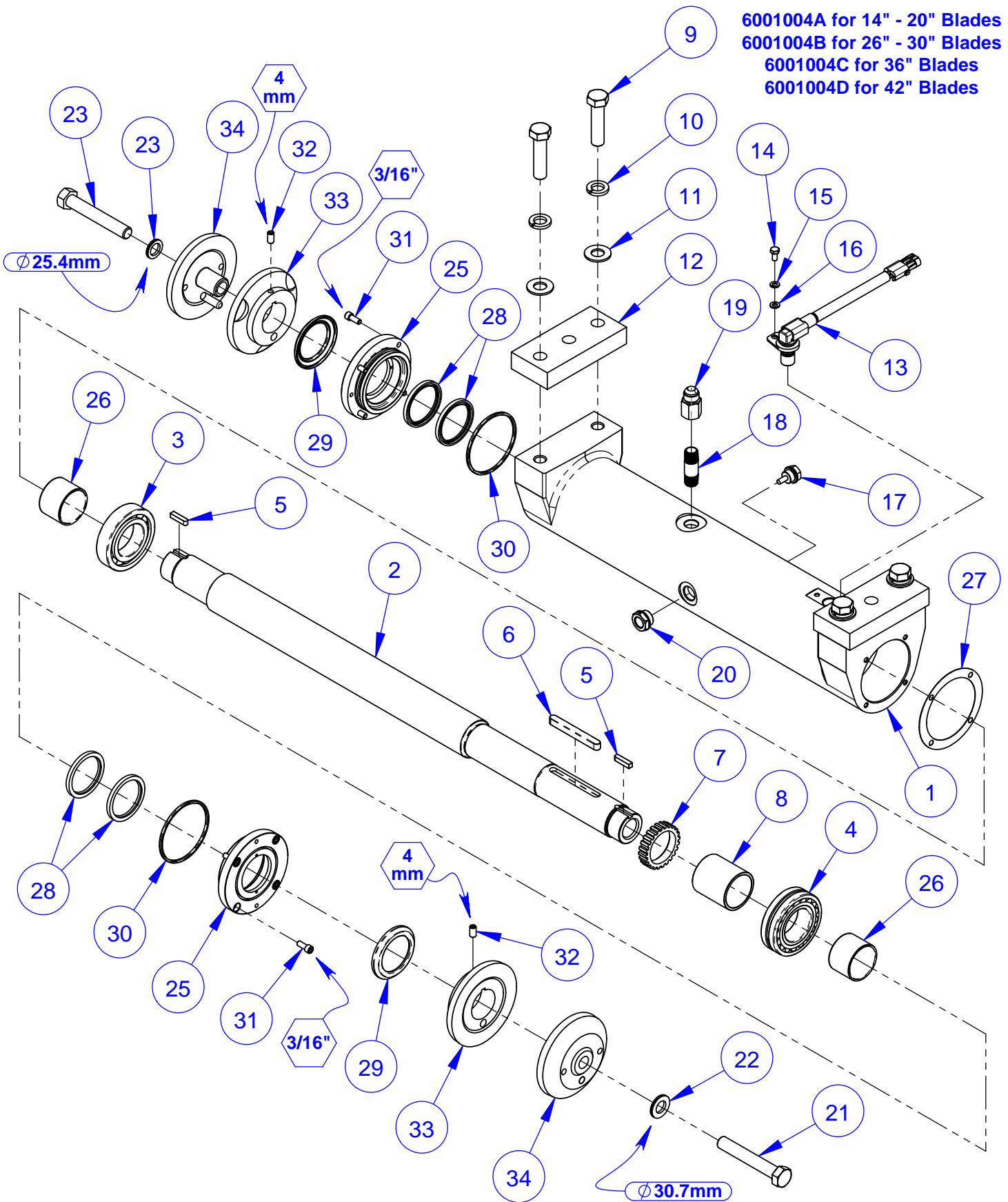
6010632A with 4-1/2" Flange  
6010632B with 5" Flange  
6010632C with 6" Flange

ITEM	PART NO.	6010632A QTY.	6010632B QTY.	6010632C QTY.	DESCRIPTION
1	6010309	1	1	1	Blade Shaft Extension, Left Hand Thread
2	6010187	1	-	-	Outer Flange 4-1/2"
3	6011184	-	1	-	Outer Flange 5"
4	6010335	-	-	1	Outer Flange 6"
5	6010359	1	1	1	Drive Pin, 3/8" Dia. x 5-1/2"
6	2900212	1	1	1	Hex Nut, 1"-14 Left Hand
7	6010622	1	1	1	20" Wide Blade Guard Assembly

ITEM	PART NO.	QTY.	DESCRIPTION
8	6010623	1	20" Wide Blade Guard Front & Rear Only
9	6010366	1	Splash Flap
10	2900310	3	Cap Screw, Hex Hd., M6-1.0 x 20mm
11	2901494	7	Flat Washer, M6
12	2900083	3	Fender Washer, 1/4" x 1-1/4"
13	2900302	13	Lock Nut, M6-1.0 Nylon Insert
14	6048123	2	Water Manifold
15	2500829	2	Water Manifold Gasket
16	2901355	4	Cap Screw, Hex Hd., M6-1.0 x 50mm
17	3200001	4	Plug, 1/8" NPT
18	3200002	2	Fitting, 3/8" M. Pipe to 3/4" M. Garden
19	2900278	1	Lanyard with Lock Pin
20	6010085	2	Water Tube for 20" Guard
21	6048155	2	Water Tube Clamp
22	2900308	4	Cap Screw, Flat Hd., M6-1.0 x 16mm
23	2506125	1	Grab Handle
24	2900341	2	Cap Screw, Hex Hd., M6-1.0 x 16mm
25	3200208	2	Nozzle, 1/4" NPT
26	1800001	1	Warning Label
27	2900287	2	Rivet, 1/8" Dia.
28	1801369D	1	Blade Guard Size Tag
29	6048027	2	Hinge Assembly
30	6010588	1	Hose Assembly, Dual Inlet

# Oil Bath Blade Shaft Assembly #6001004

6001004A for 14" - 20" Blades  
 6001004B for 26" - 30" Blades  
 6001004C for 36" Blades  
 6001004D for 42" Blades

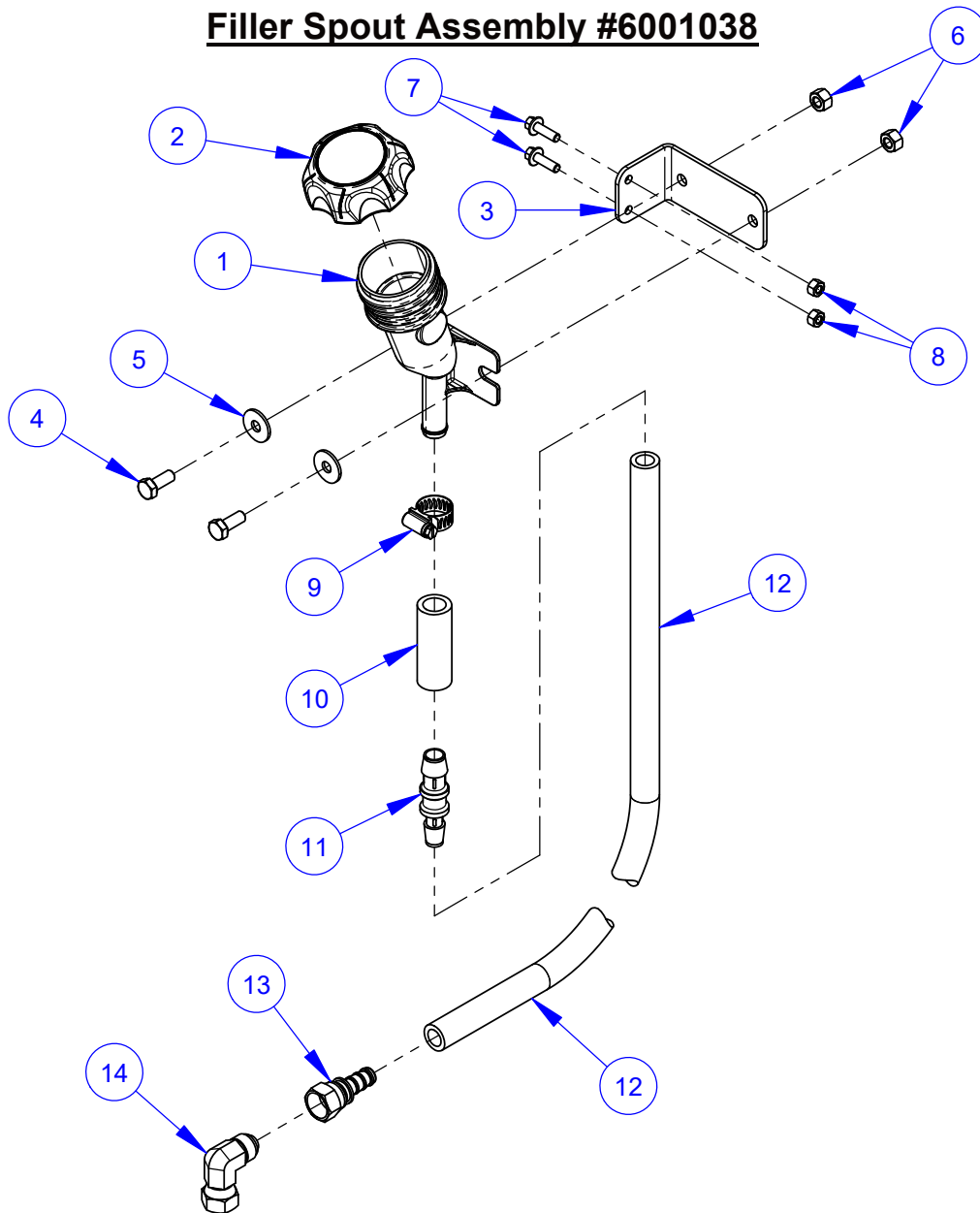




## Oil Bath Blade Shaft Assembly #6001004

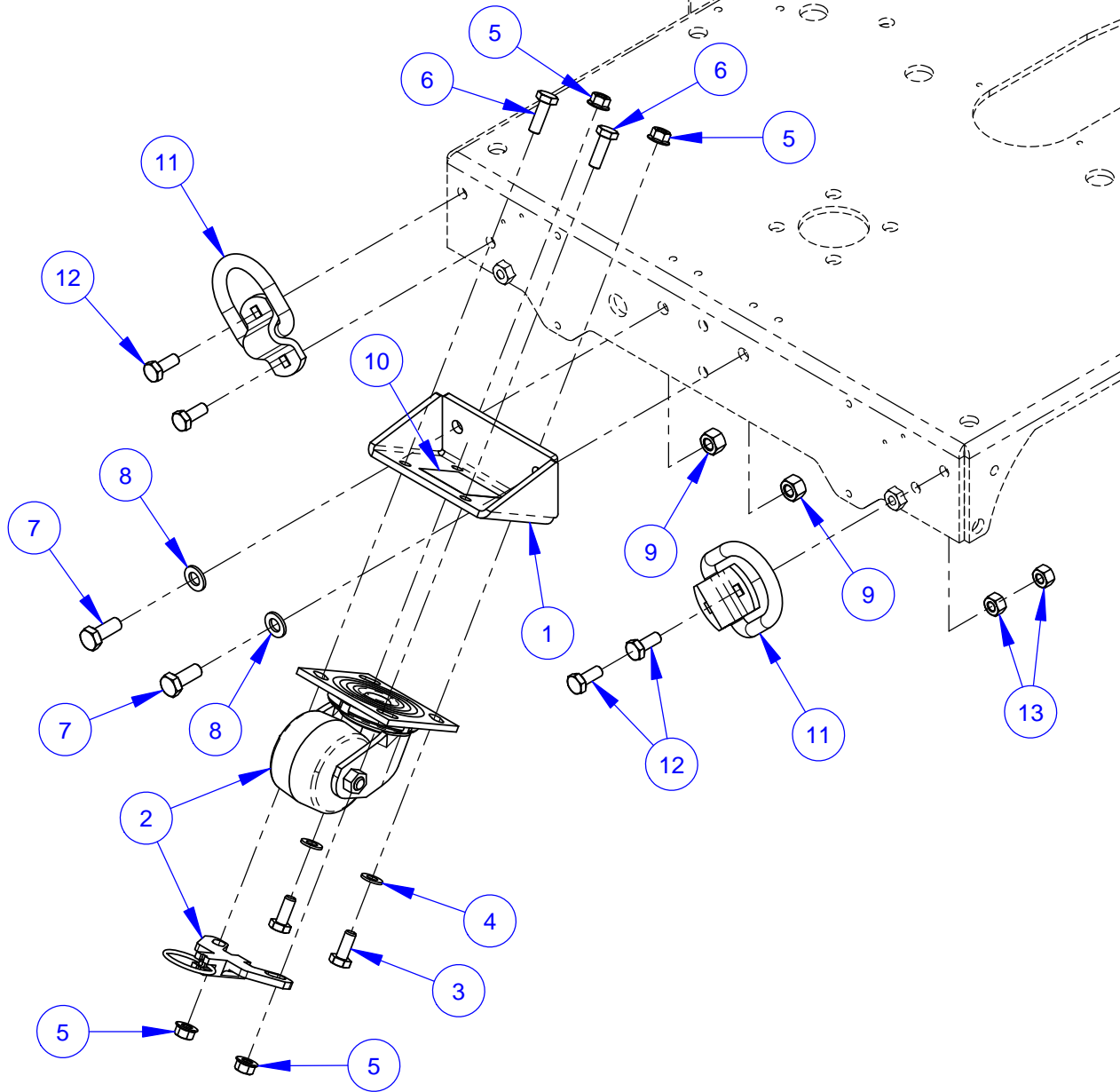
ITEM	PART NO.	6001004A QTY.	6001004B QTY.	6001004C QTY.	6001004D QTY.	DESCRIPTION
1	6001210	1	1	1	1	Oil Bath Blade Shaft Housing
2	6001211	1	1	1	1	Blade Shaft
3	2502197	1	1	1	1	Ball Bearing, 45mm x 85mm x 19mm
4	2504847	1	1	1	1	Spherical Roller Bearing 45x85x23
5	6011677	2	2	2	2	Key, 1/4" Sq. x 1.06
6	6011782	1	1	1	1	Key, 3/8" Sq. x 3.38"
7	6011666	1	1	1	1	Sensor Wheel, 24 Tooth
8	6001212	1	1	1	1	Spacer, 45mm x 56mm
9	2900527	4	4	4	4	Cap Screw, Hex Hd., 5/8-11 x 2-1/2"
10	2900113	4	4	4	4	Lock Washer, 5/8" Split
11	2900002	4	4	4	4	Flat Washer, 5/8" SAE
12	6013019	2	2	2	2	Blade Shaft Bearing Spacer 1"
13	2801657	1	1	1	1	Sensor Assembly
14	2900544	1	1	1	1	Cap Screw, Hex Hd., M6-1.0 x 12mm
15	2900765	1	1	1	1	Lock Washer, M6 Split
16	2901494	1	1	1	1	Flat Washer, M6
17	2502037	1	1	1	1	Magnetic Oil Drain Plug
18	3203073	1	1	1	1	Nipple, 3/8" NPT x 2" Long
19	3203072	1	1	1	1	Adapter, 3/8" F. Pipe to 1/2" M. JIC
20	2503872	1	1	1	1	Sight Glass, Oil Level
21	2900146	1	1	1	1	Cap Screw, Hex Hd., 5/8-11 x 4"
22	2900412	1	1	1	1	Wedge Lock Washer Pair, 5/8"
23	2900130	1	1	1	1	Cap Screw, Hex Hd., 5/8-11 x 4" LH
23	2901569	1	1	1	1	Wedge Lock Washer Pair, 5/8" LH
25	6011654	2	2	2	2	Blade Shaft End Cap
26	2504836	2	2	2	2	Seal Sleeve
27	6011656	1	1	1	1	Shim Pack
28	2504749	4	4	4	4	Seal 50X62X5
29	2504835	2	2	2	2	Axial Face Seal
30	2504978	2	2	2	2	Quad Ring -234
31	2901173	8	8	8	8	Cap Screw, Soc. Hd., 1/4-20 x 5/8"
32	2900418	2	2	2	2	Set Screw, Soc. Hd., 5/16-18 x 5/8"
33	6010036	2	-	-	-	Inner Flange 4-1/2"
34	6010037	2	-	-	-	Outer Flange 4-1/2" with Pin
35	6010255	-	2	-	-	Inner Flange 5"
36	6047907	-	2	-	-	Outer Flange 5" with Pin
37	6010038	-	-	2	-	Inner Flange 6"
38	6010039	-	-	2	-	Outer Flange 6" with Pin
39	6017230	-	-	-	2	Inner Flange 7"
40	6017231	-	-	-	2	Outer Flange 7" with Pin

## Filler Spout Assembly #6001038



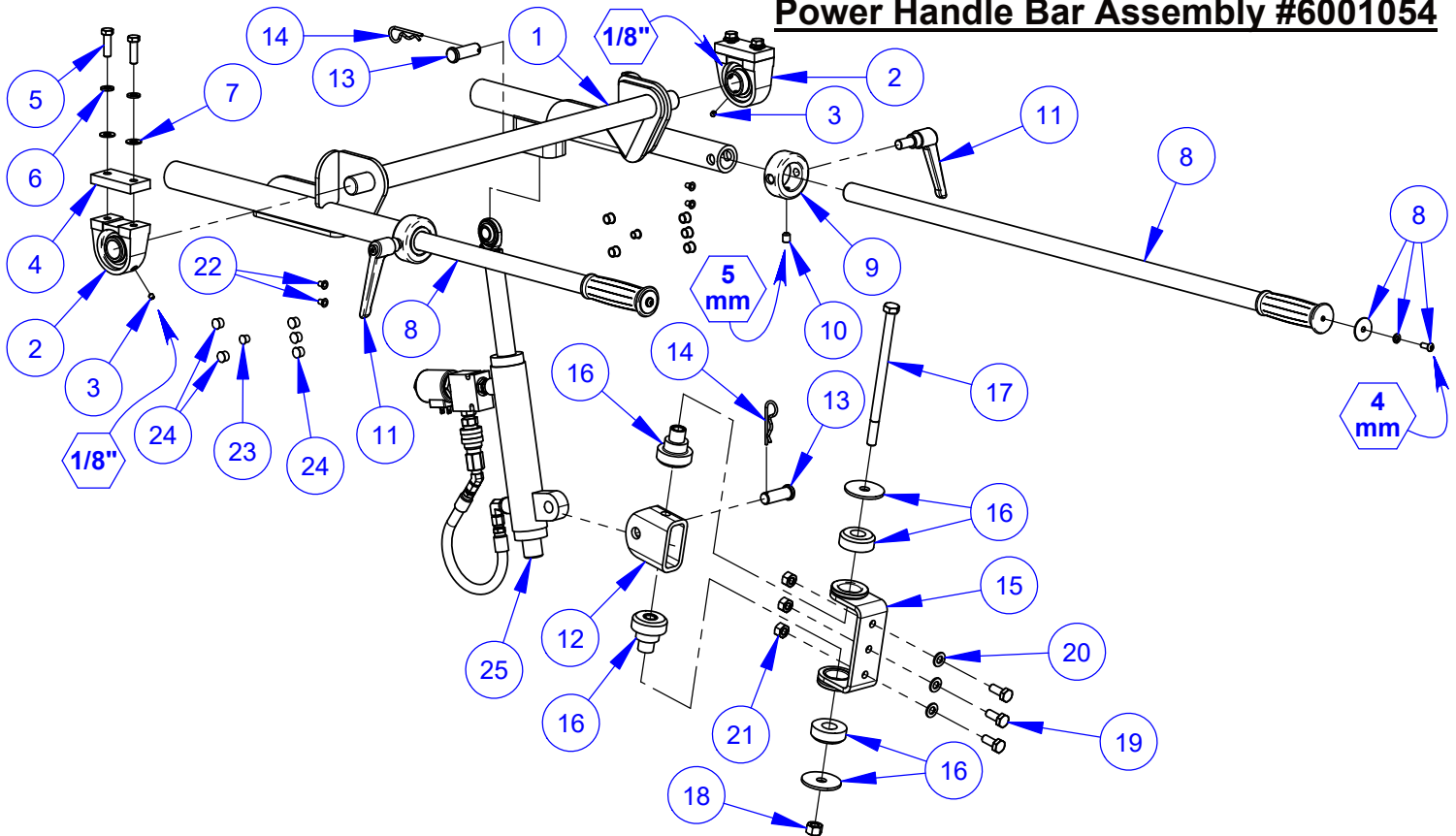
ITEM	PART NO.		DESCRIPTION
1	2506093	1	Spout, Remote Filler
2	2506094	1	Cap, Vented
3	6016169	1	Filler Spout Bracket
4	2900329	2	Cap Screw, Hex Hd., M8-1.25 x 20mm
5	2900383	2	Fender Washer, M8
6	2900303	2	Lock Nut, M8-1.25 Nylon Insert
7	2900328	2	Cap Screw, Hex Flange, M6-1.0 x 20mm
8	2900302	2	Lock Nut, M6-1.0 Nylon Insert
9	3200016	1	Hose Clamp #8
10	6016246	1	Hose, 5/8" ID x 2-1/2" Long
11	3202899	1	Reducer, 5/8" to 1/2" Hose Barb
12	6013068	1	Hose, 1/2" ID x 36"
13	3200181	1	Fitting, 1/2" F. JIC to 1/2" Pushlok
14	3200304	1	Elbow, 1/2" M. JIC to 1/2" F. JIC

## **Bogie Wheel Assembly #6001055**



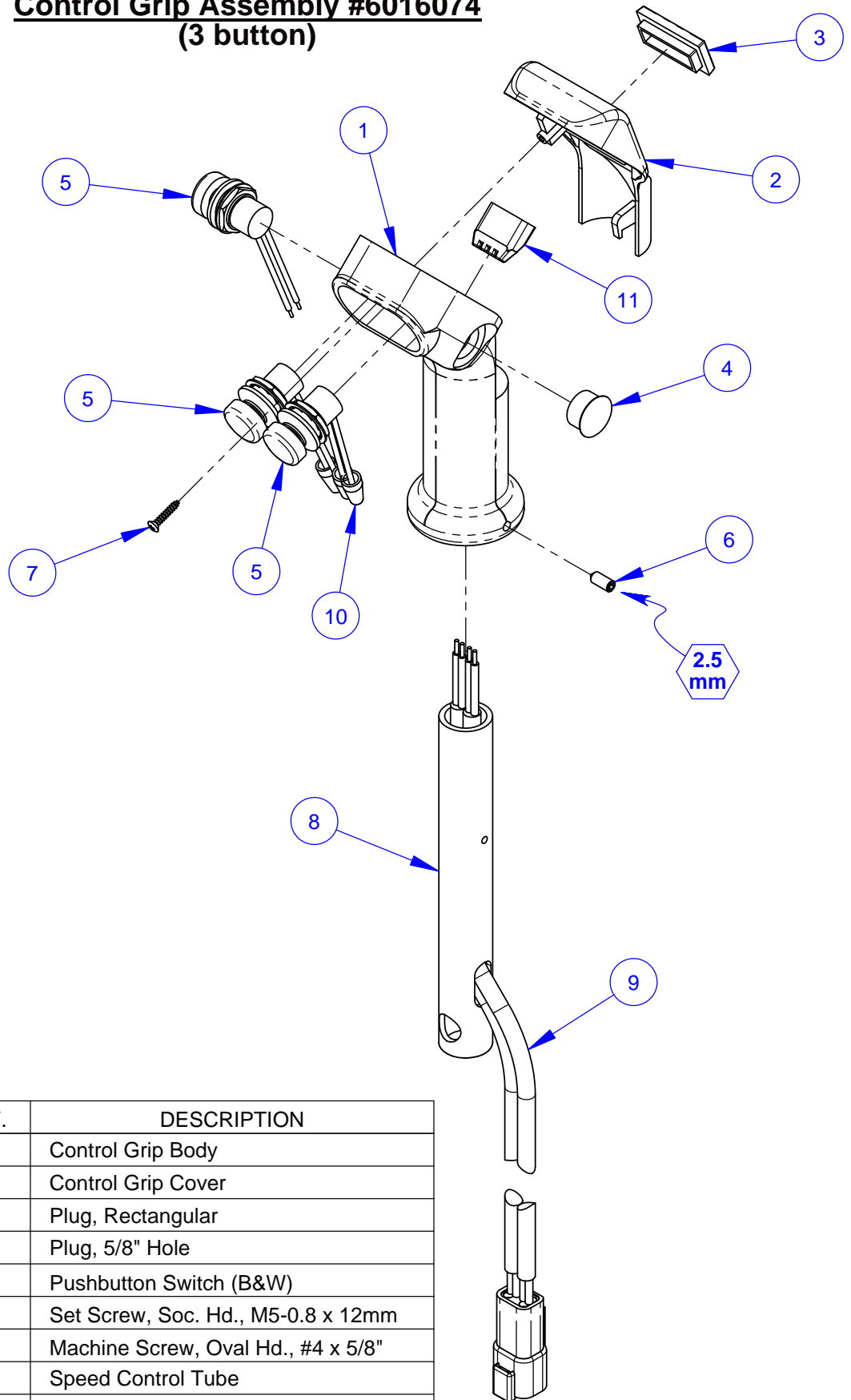
ITEM	PART NO.	QTY.	DESCRIPTION
1	6001248	1	Caster Mount Brace
2	2500654	1	Caster with Swivel Lock
3	2900749	2	Cap Screw, Hex Hd., M10-1.25 x 25mm
4	2901356	2	Flat Washer, M10
5	2901398	4	Hex Flange Nut, M10-1.25
6	2900870	2	Cap Screw, Hex Hd., M10-1.25 x 30mm
7	2900330	2	Cap Screw, Hex Hd., M12-1.75 x 30mm
8	2901357	2	Flat Washer, M12
9	2900327	2	Lock Nut, M12-1.75 Nylon Insert
10	1800389	1	Warning Label
11	2504368	2	Tie Down
12	2900333	4	Cap Screw, Hex Hd., M10-1.5 x 25mm
13	2900304	4	Lock Nut, M10-1.5 Nylon Insert

## Power Handle Bar Assembly #6001054



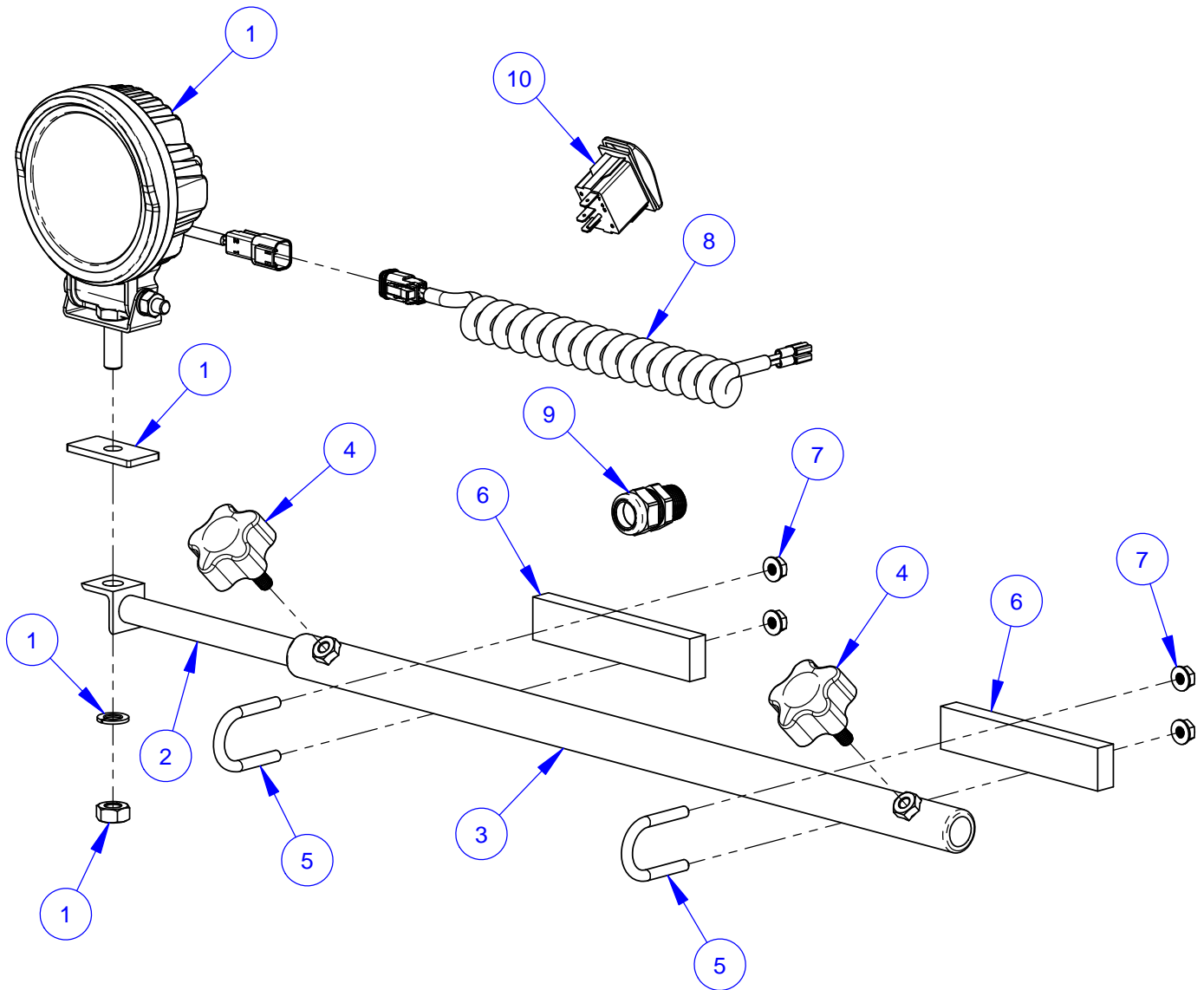
ITEM	PART NO.	QTY	DESCRIPTION
1	6001227	1	Handle Holder Frame
2	2500732	2	Pillow Block Bearing 1"
3	2900381	2	Set Screw, Soc. Hd., 1/4-28 x 1/4"
4	6047904	2	Axle Bearing Spacer 1/2"
5	2900013	4	Cap Screw, Hex Hd., 3/8-16 x 1-1/4"
6	2900006	4	Lock Washer, 3/8" Split
7	2900014	4	Flat Washer, 3/8" SAE
8	6001069	2	Handle Bar Unit
9	6017377	2	Lock Collar
10	2901341	2	Set Screw, Soc. Hd., M10-1.5 x 12mm
11	2502390	2	Adjustable Lever 1/2-13 x 1"
12	6017301	1	Isolator Mount Tube
13	2900828	2	Clevis Pin, 5/8" x 1-3/4"
14	2900829	2	Hairpin Cotter, 1/8" x 5/8" to 7/8"
15	6017302	1	Isolator Mount Bracket
16	2503789	2	Vibration Isolator
17	2901342	1	Cap Screw, Hex Hd., M12-1.75 x 200mm
18	2900327	1	Lock Nut, M12-1.75 Nylon Insert
19	2900333	3	Cap Screw, Hex Hd., M10-1.5 x 25mm
20	2901356	3	Flat Washer, M10
21	2900304	3	Lock Nut, M10-1.5 Nylon Insert
22	2503744	4	Plug, 1/4" Hole (Tapered)
23	2500462	2	Plug, 3/8" Hole
24	2500204	10	Plug, 1/2" Hole
25	6001061	1	Double Rod Cylinder Assembly

## Control Grip Assembly #6016074 (3 button)



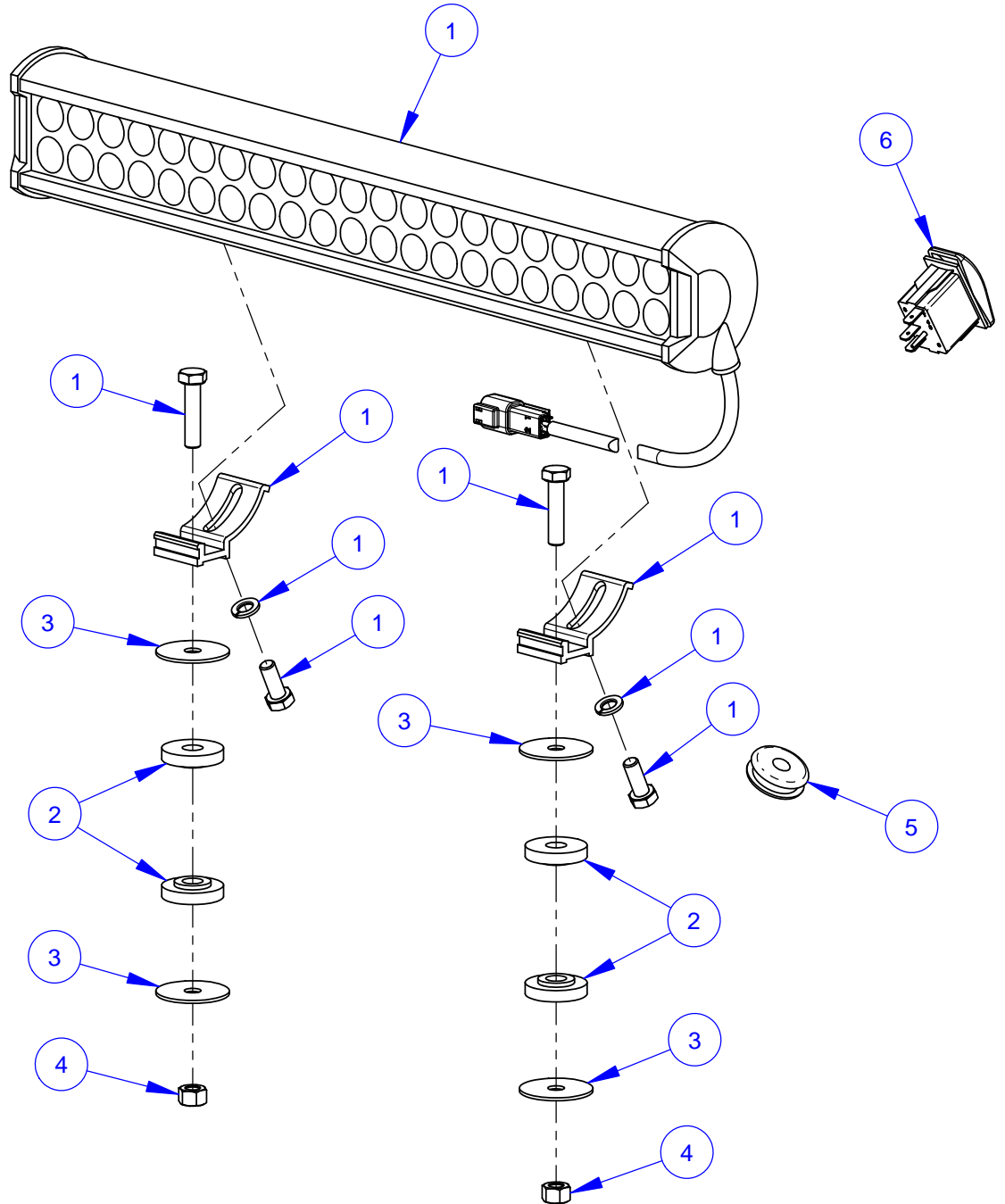
ITEM	PART NO.	QTY.	DESCRIPTION
1	2501280	1	Control Grip Body
2	2501281	1	Control Grip Cover
3	2500644	1	Plug, Rectangular
4	2500694	1	Plug, 5/8" Hole
5	2800373	3	Pushbutton Switch (B&W)
6	2900453	1	Set Screw, Soc. Hd., M5-0.8 x 12mm
7	2900452	1	Machine Screw, Oval Hd., #4 x 5/8"
8	6017025	1	Speed Control Tube
9	6016268	1	Control Grip Harness
10	2800002	3	Wire Nut (Grey)
11	2801494	1	Connector, 4 Port

## LED Spot Light Assembly #6001050



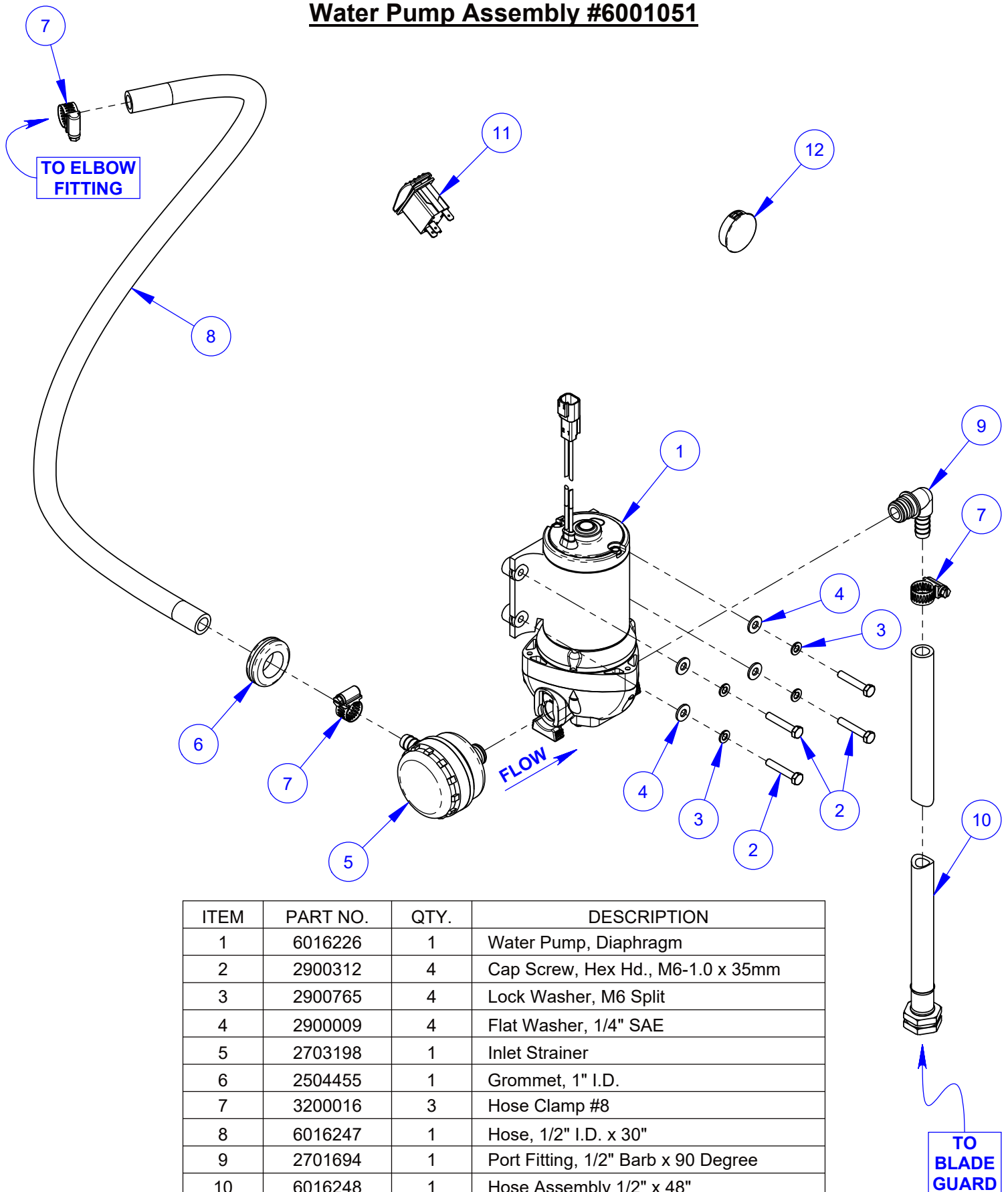
ITEM	PART NO.	QTY.	DESCRIPTION
1	6016224	1	Light, 12 Volt LED Spot
2	6010106	1	Light Bar
3	6001232	1	Light Mount Tube
4	2400157	2	Hand Lock Knob, 5/16-18 x 1"
5	2900241	2	U-Bolt, 1/2" Pipe
6	6016177	2	Light Tube Cushion
7	2902145	4	Hex Flange Nut, 1/4-20
8	6016225	1	Coiled Light Cord (1 Foot)
9	2800623	1	Cord Grip, 1/2" NPT Nylon
10	2800808	1	Rocker Switch

## LED Light Bar Assembly #6001060



ITEM	PART NO.	QTY.	DESCRIPTION
1	6016229	1	LED Light Bar
	2506112B	2	Light Bar Bracket
	2900763	2	Lock Washer, M8 Split
	2900329	2	Cap Screw, Hex Hd., M8-1.25 x 20mm
	2900760	2	Cap Screw, Hex Hd., M8-1.25 x 35mm
2	2506117	4	Vibration Damping Bushing
3	2900969	4	Fender Washer, 5/16" x 1-1/2"
4	2900303	2	Lock Nut, M8-1.25 Nylon Insert
5	2506118	1	Grommet, 3/8" I.D.
6	2800808	1	Rocker Switch

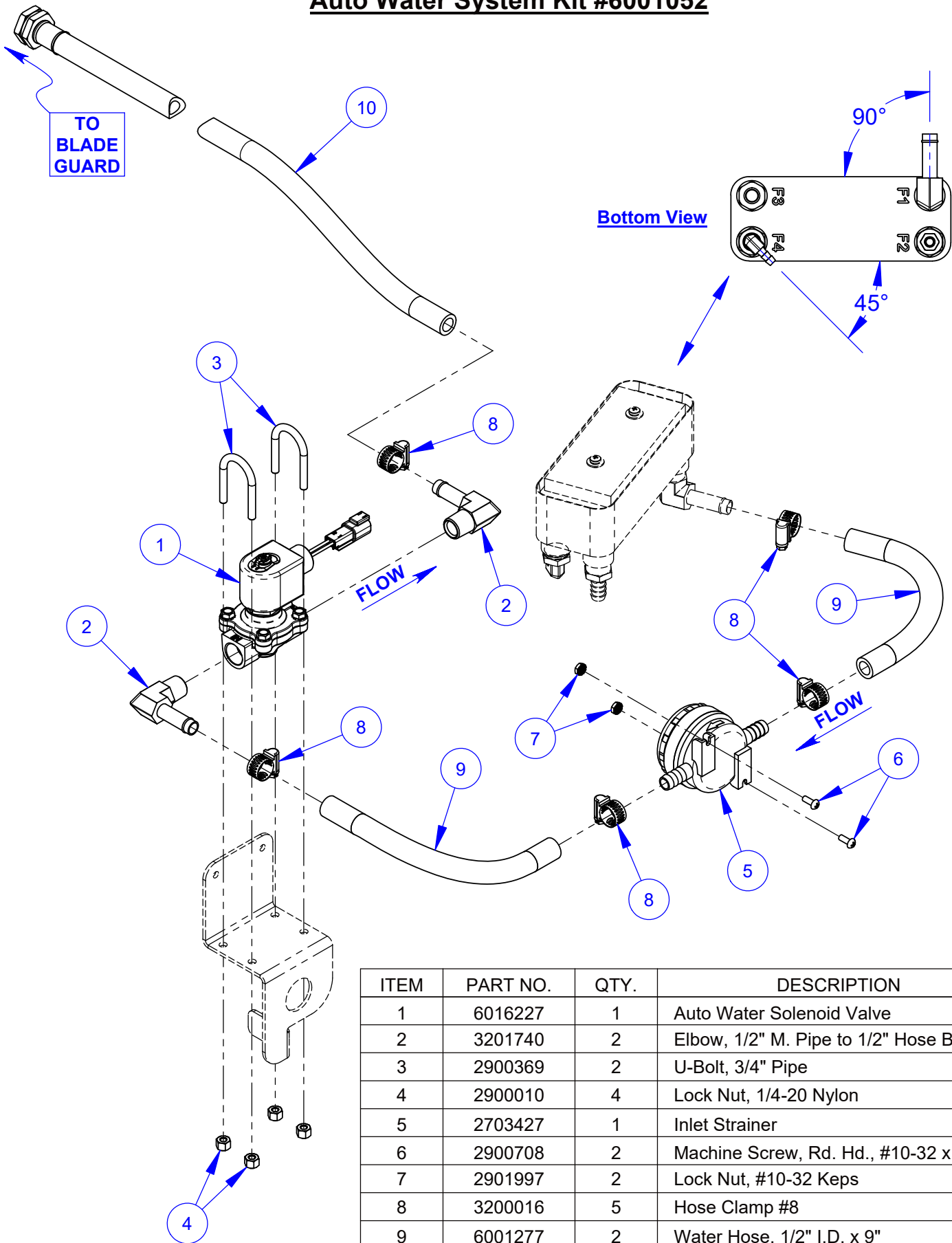
## Water Pump Assembly #6001051



ITEM	PART NO.	QTY.	DESCRIPTION
1	6016226	1	Water Pump, Diaphragm
2	2900312	4	Cap Screw, Hex Hd., M6-1.0 x 35mm
3	2900765	4	Lock Washer, M6 Split
4	2900009	4	Flat Washer, 1/4" SAE
5	2703198	1	Inlet Strainer
6	2504455	1	Grommet, 1" I.D.
7	3200016	3	Hose Clamp #8
8	6016247	1	Hose, 1/2" I.D. x 30"
9	2701694	1	Port Fitting, 1/2" Barb x 90 Degree
10	6016248	1	Hose Assembly 1/2" x 48"
11	2800808	1	Rocker Switch
12	2506087	1	Plug, 1-3/8" Hole

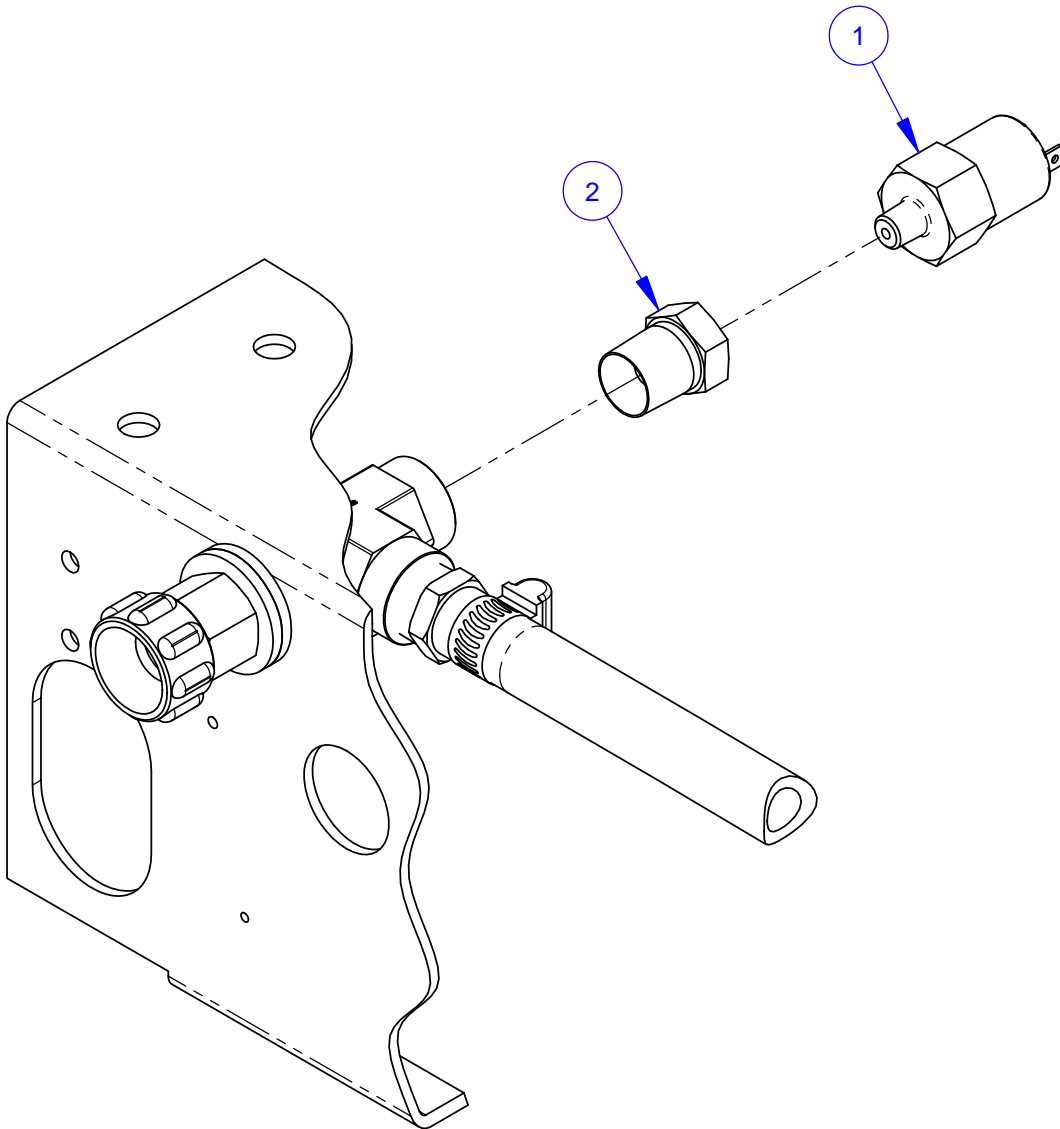


## Auto Water System Kit #6001052



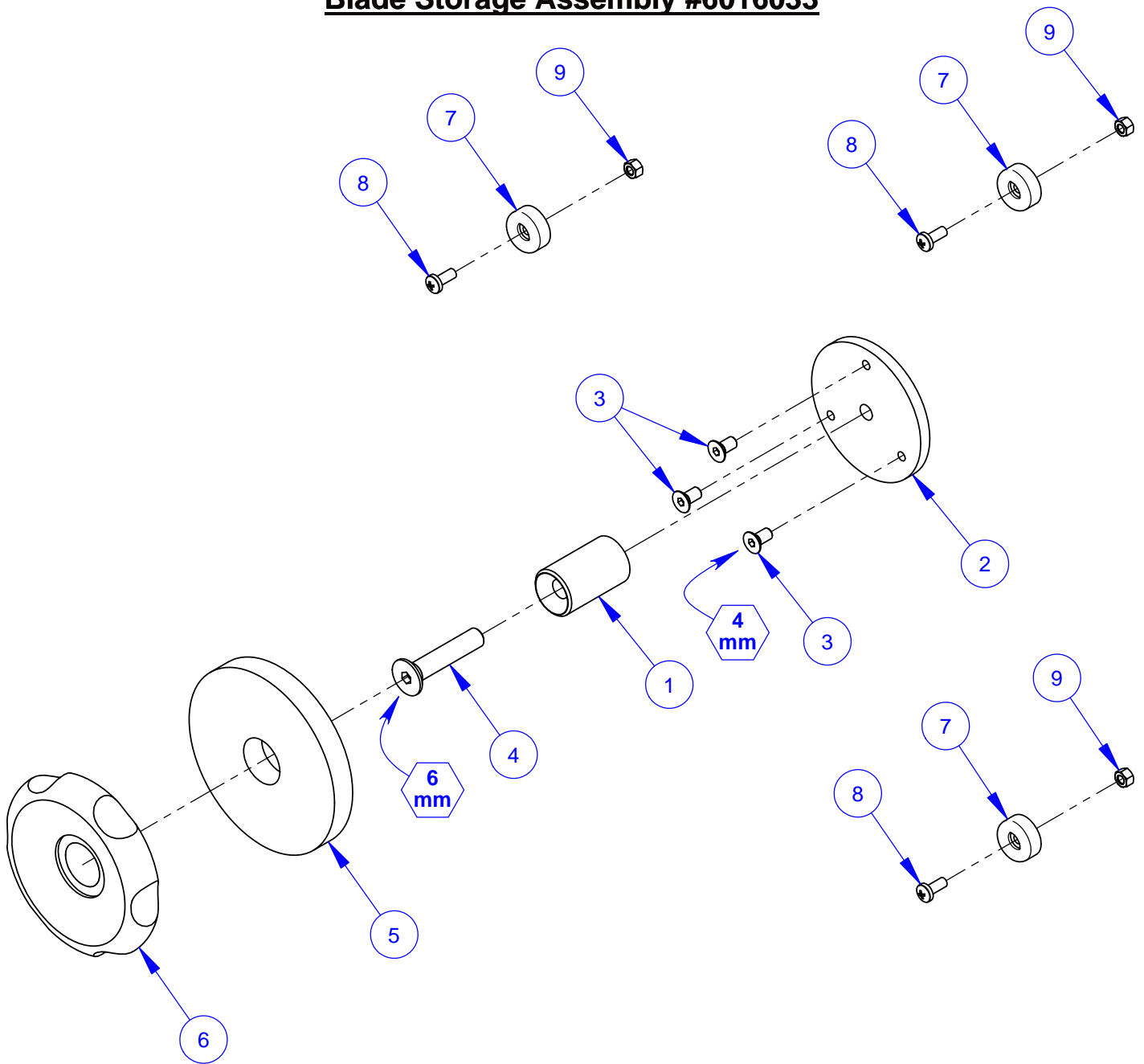
ITEM	PART NO.	QTY.	DESCRIPTION
1	6016227	1	Auto Water Solenoid Valve
2	3201740	2	Elbow, 1/2" M. Pipe to 1/2" Hose Bead
3	2900369	2	U-Bolt, 3/4" Pipe
4	2900010	4	Lock Nut, 1/4-20 Nylon
5	2703427	1	Inlet Strainer
6	2900708	2	Machine Screw, Rd. Hd., #10-32 x 1/2"
7	2901997	2	Lock Nut, #10-32 Keps
8	3200016	5	Hose Clamp #8
9	6001277	2	Water Hose, 1/2" I.D. x 9"
10	6016249	1	Hose Assembly 1/2" x 72"

## Water Pressure Switch Kit #6001053



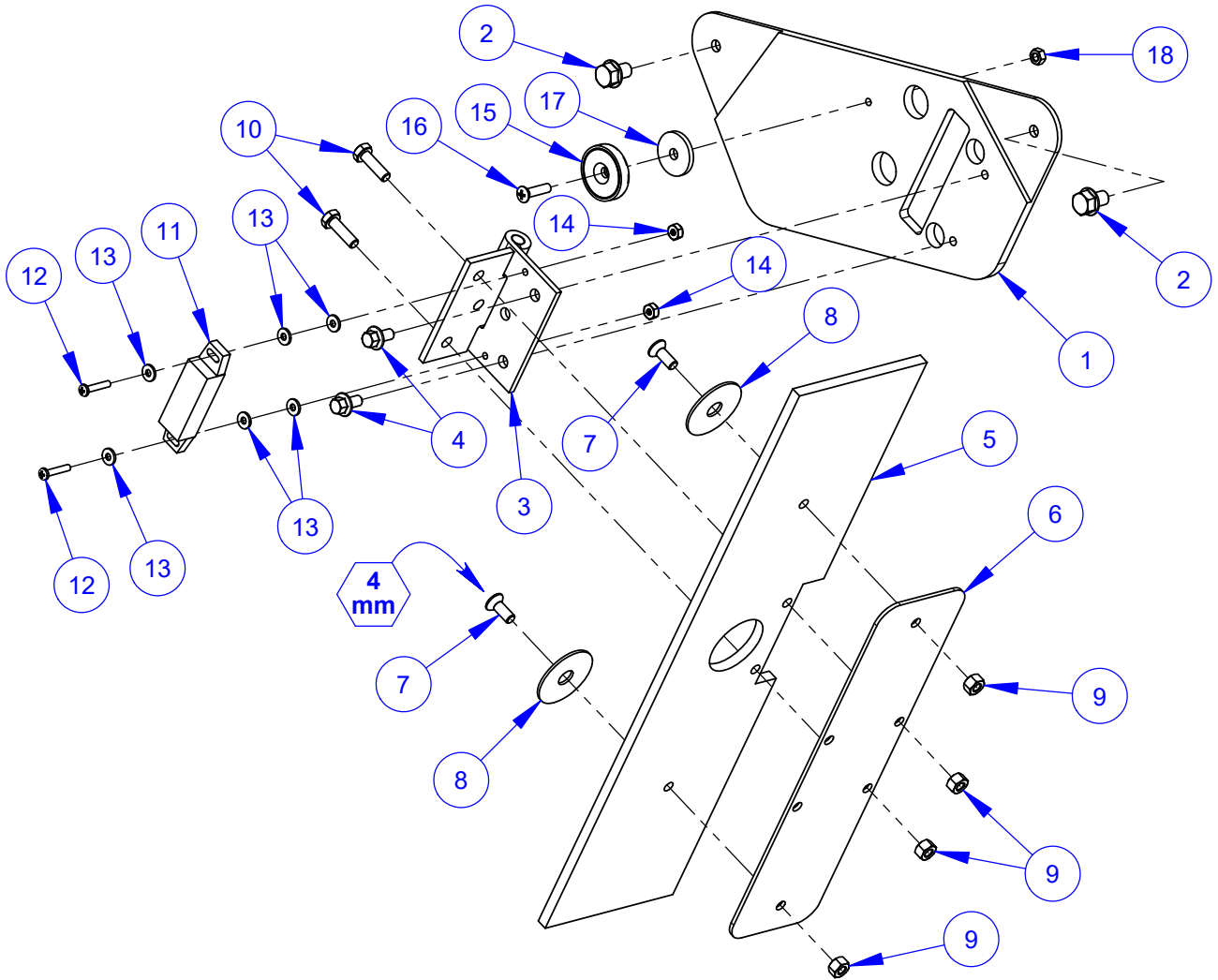
ITEM	PART NO.	QTY.	DESCRIPTION
1	2800060	1	Water Pressure Switch
2	3200069	1	Reducer, 1/2" M. to 1/8" F. Pipe

## Blade Storage Assembly #6016033



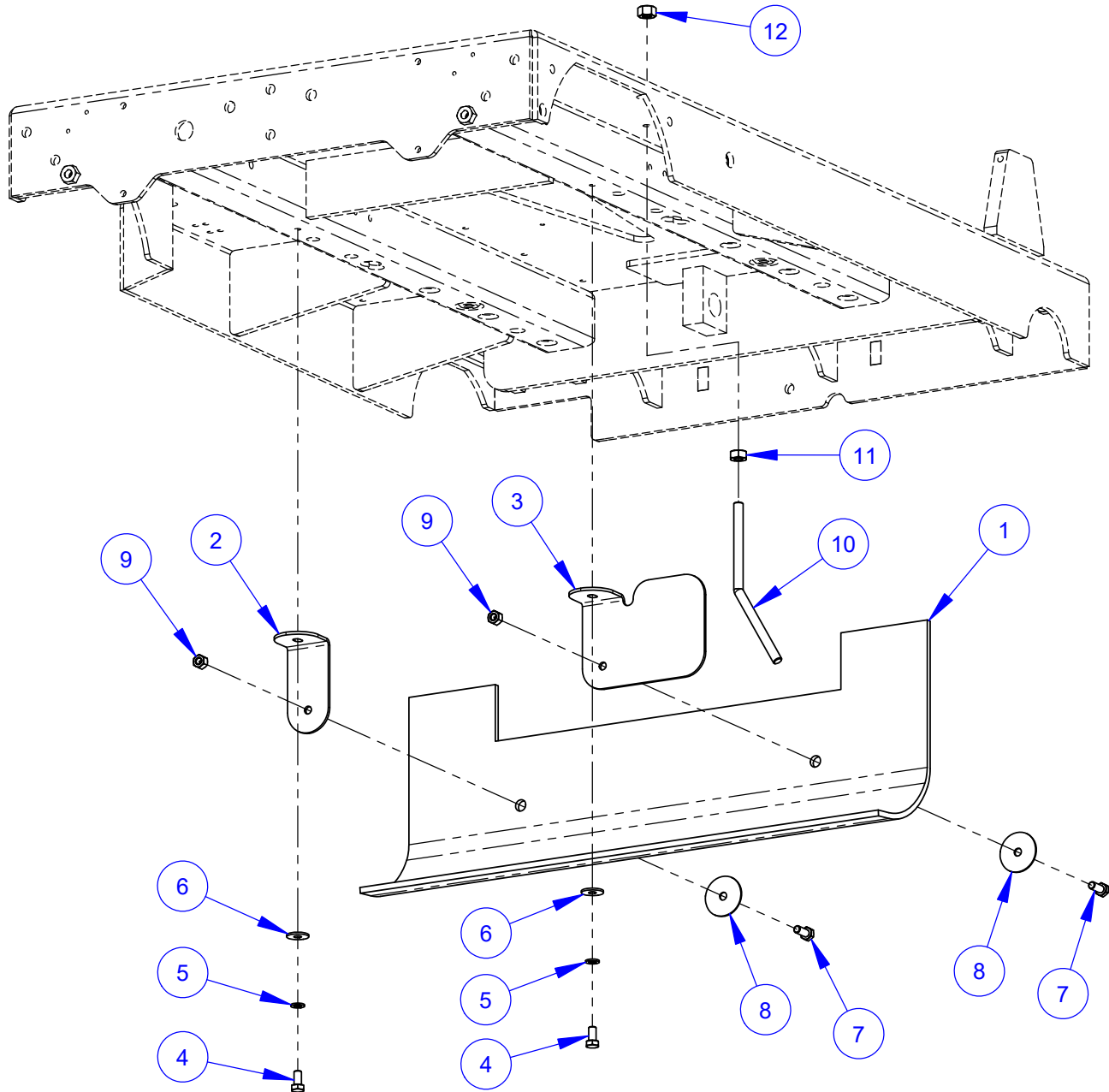
ITEM	PART NO.	QTY.	DESCRIPTION
1	6016170	1	Arbor Shaft
2	6016171	1	Arbor Flange
3	2901337	3	Cap Screw, Flat Hd., M6-1.0 x 12mm
4	2901409	1	Cap Screw, Flat Hd., M10-1.5 x 50mm
5	6016172	1	Blade Cushion
6	2506081	1	Hand Knob 1"-14
7	2506110	3	Bumper, 7/8"
8	2900794	3	Machine Screw, Pan Hd., M5-0.8 x 12mm
9	2900301	3	Lock Nut, M5-0.8 Nylon Insert

## Slurry Shield Assembly #6016072



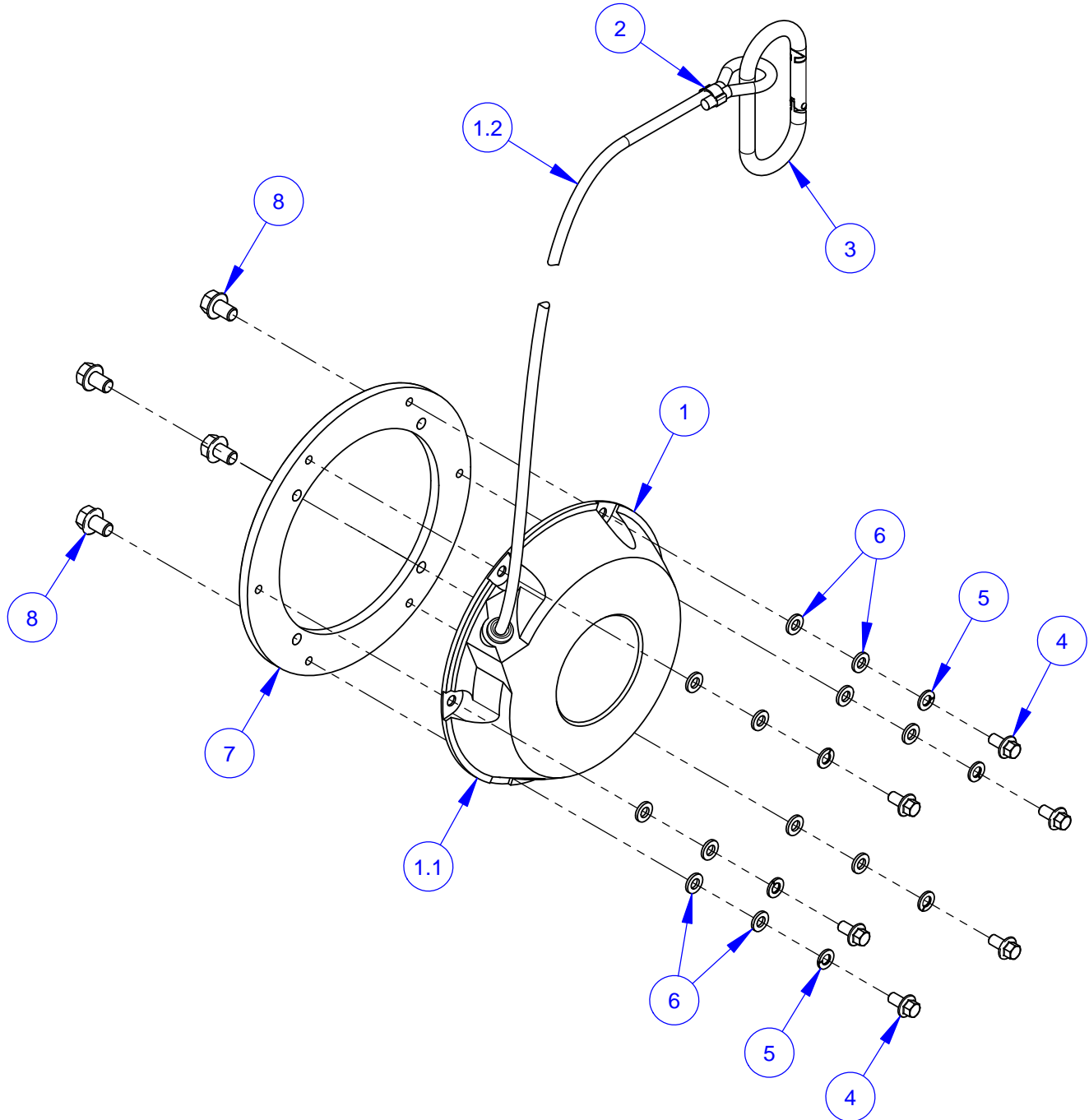
ITEM	PART NO.	QTY.	DESCRIPTION
1	6016264	1	Shield Support Plate
2	2902071	2	Cap Screw, Hex Flange, M8-1.25 x 12mm
3	6016265	1	Hinge, Slurry Shield
4	2901370	2	Cap Screw, Hex Flange, M6-1.0 x 12mm
5	6016267	1	Shield Flap
6	6016266	1	Slurry Shield
7	2900308	2	Cap Screw, Flat Hd., M6-1.0 x 16mm
8	2901271	2	Fender Washer, 3/8" x 1-1/2"
9	2900302	4	Lock Nut, M6-1.0 Nylon Insert
10	2900310	2	Cap Screw, Hex Hd., M6-1.0 x 20mm
11	2504561	1	Magnetic Catch
12	2901309	2	Machine Screw, Pan Hd., #6-32 x 3/4"
13	2901311	6	Flat Washer, #6 SAE
14	2901325	2	Lock Nut, #6-32 Nylon
15	2506114	1	Magnet, Encased
16	2901364	1	Machine Screw, Oval Hd., M5-0.8 x 20mm
17	2902124	1	Rubber Cushion Washer
18	2903212	1	Hex Nut, M5-0.8

## Slurry Flap Assembly #6001056



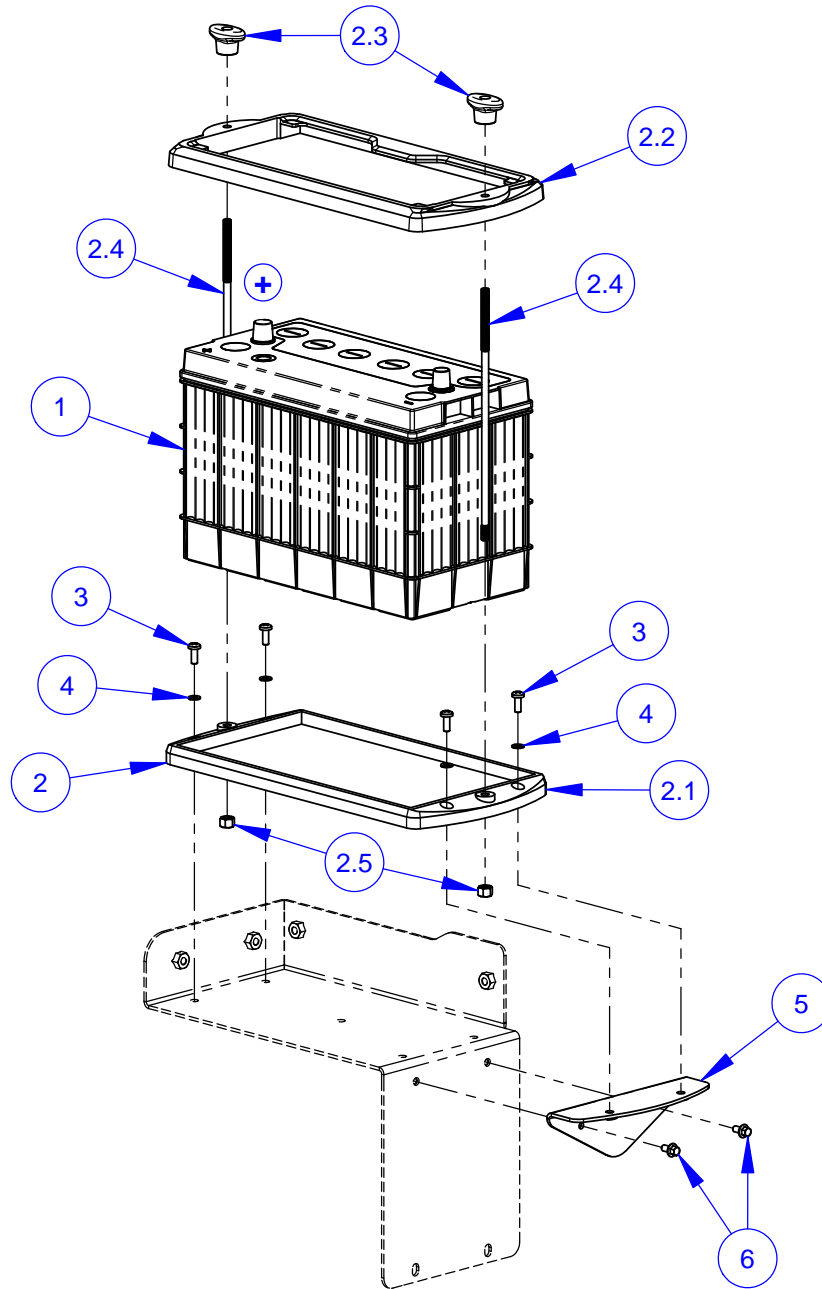
ITEM	PART NO.	QTY.	DESCRIPTION
1	6001249	1	Slurry Flap
2	6016154	1	Skirt Bracket
3	6016298	1	Skirt Brace
4	2900868	2	Cap Screw, Hex Hd., M8-1.25 x 16mm
5	2900763	2	Lock Washer, M8 Split
6	2900383	2	Fender Washer, M8
7	2900329	2	Cap Screw, Hex Hd., M8-1.25 x 20mm
8	2901504	2	Fender Washer, 5/16" x 1-3/4"
9	2900303	2	Lock Nut, M8-1.25 Nylon Insert
10	6001274	1	Bent Rod, M10
11	2900325	1	Hex Nut, M10-1.5
12	2900304	1	Lock Nut, M10-1.5 Nylon Insert

## Rope Recoil Assembly #6016032



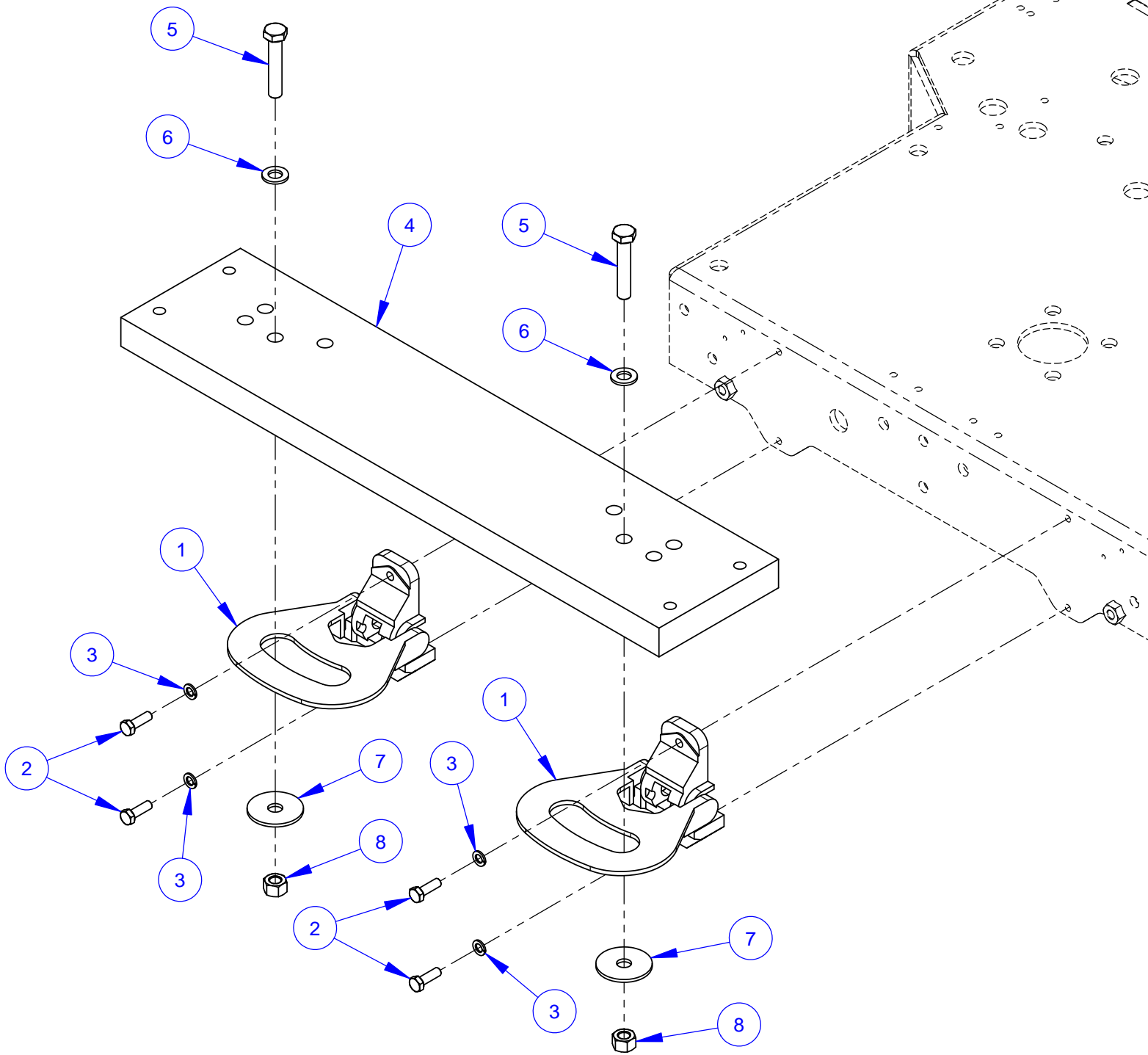
ITEM	PART NO.	QTY.	DESCRIPTION
1	6016250	1	Recoil with Rope
1.1	2701810	1	Recoil
1.2	6016251	1	Rope, 12 Foot
2	3200221	1	Pinch Clamp, Two Ear
3	2506136	1	Carabiner, Snap Link
4	2901370	6	Cap Screw, Hex Flange, M6-1.0 x 12mm
5	2900765	6	Lock Washer, M6 Split
6	2901494	12	Flat Washer, M6
7	6016165	1	Recoil Mounting Ring
8	2902071	4	Cap Screw, Hex Flange, M8-1.25 x 12mm

## Max Battery Assembly #6001057



ITEM	PART NO.	QTY.	DESCRIPTION
1	2801299	1	Battery, 12 Volt Group Size 31
2	2506053	1	Battery Hold-Down Tray
2.1	2506053A	1	Battery Tray Base
2.2	2506053B	1	Battery Tray Top
2.3	2506053C	2	Ratchet Knob 5/16-18
2.4	2506053D	2	Tie Rod, 5/16-18
2.5	2900039	2	Lock Nut, 5/16-18 Nylon
3	2901368	4	Machine Screw, Pan Hd., M6-1.0 x 16mm
4	2900765	4	Lock Washer, M6 Split
5	6016123	1	Battery Platform Extension
6	2901370	2	Cap Screw, Hex Flange, M6-1.0 x 12mm

## Weight Kit #6001058



ITEM	PART NO.	QTY.	DESCRIPTION
1	2503798	2	Foot Rest, Folding
2	2900360	4	Cap Screw, Hex Hd., M8-1.25 x 25mm
3	2900763	4	Lock Washer, M8 Split
4	6013042	1	Saw Weight (56 Pound)
5	2900359	2	Cap Screw, Hex Hd., M12-1.75 x 65mm
6	2901357	2	Flat Washer, M12
7	2900854	2	Fender Washer, 1/2" x 2"
8	2900327	2	Lock Nut, M12-1.75 Nylon Insert



# Decal Group

# CORE CUT

## CC5048DC



#1802714 (QTY. 2)

#1802620

**CC5048D**  
48HP Front Pivot Walk Behind Saw

**WARNING / ADVERTENCIA**

READ OWNER'S MANUAL BEFORE OPERATING MACHINE. (LEER EL MANUAL DEL USUARIO ANTES DE OPERAR LA MAQUINARIA.)

USE ONLY IN WELL VENTILATED AREA. (USAR SOLO EN AMBIENTES BIEN VENTILADOS.)

ALL GUARDS MUST BE IN PLACE. (TODOS LOS CUBIERTOS DEBE ESTAR EN SU LUGAR.)

ALWAYS WEAR PERSONAL PROTECTIVE EQUIPMENT. (SIEMPRE USE EL EQUIPO DE PROTECCION PERSONAL DURANTE EL FUNCIONAMIENTO DE LA MAQUINARIA.)

**WARNING: NEVER EXCEED THE MAXIMUM RPM STAMPED ON THE BLADE. EXCESSIVE SPEED CAN CAUSE BLADE BREAKAGE RESULTING IN SERIOUS PERSONAL INJURY OR DEATH.**

BLADE SIZE	BLADE RPM	BLADE SHEAVE	ENGINE SHEAVE	ENGINE RPM	BELT SIZE	FLANGE SIZE	MAX CUT DEPTH
14"	2,800	4.00"	4.00"	2,800	3VX560	4.5"	4-3/4"
20"	2,600	4.00"	4.00"	2,600	3VX560	4.5"	7-3/4"
26"	2,000	4.75"	4.00"	2,375	3VX570	5"	10-1/2"
30"	1,700	4.75"	4.00"	2,020	3VX570	5"	12-1/2"
36"	1,400	5.60"	4.00"	1,960	3VX580	6"	15"
42"	1,200	6.90"	4.00"	2,070	3VX600	7"	17-1/2"

#1802706

**ON**  
WARNING: Do Not Change Oil Level Setting  
**OFF**

**REAR AXLE ADJUSTMENT**

**STOP**  
TIGHTEN  
LOOSEN  
FIRST RETRACT DETENT PIN BEFORE ADJUSTING BEST TENSION

**EMERGENCY STOP**

**WARNING**  
READ OWNER'S MANUAL BEFORE OPERATING MACHINE  
LEER EL MANUAL DEL USUARIO ANTES DE OPERAR LA MAQUINARIA

**FLUID LEVEL FULL COLD**

**WARNING**  
EXCESSIVE SPEED CAN CAUSE BLADE BREAKAGE

**STOP**

**WARNING**  
EXCESSIVE SPEED CAN CAUSE BLADE BREAKAGE

**NOTICE**  
EXCEL WATER AFTER EVERY USE. FROZEN LINES WILL CAUSE DAMAGE

**ULTRA LOW SULFUR DIESEL FUEL ONLY**

**AUXILIARY CONTROLS**

**STOP**  
ON START ENGINE  
FAST  
TIGHTEN  
RETRACT

**STOP**  
WATER ON  
STOP  
WATER OFF

**WARNING**  
EXCESSIVE SPEED CAN CAUSE BLADE BREAKAGE

**STOP**

Sheet #1802680



## Blade Speed Conversion Charts

**WARNING:** Do not exceed blade speed (RPM) shown for each blade size.  
Excessive blade speed could result in blade breakage and serious personal injury!

Blade Size	Blade Shaft		Engine		Max. Depth of Cut
	RPM	Sheave Size	RPM	Sheave Size	
14"	2,800	4"	2,800	4"	4-3/4"
20"	2,600	4"	2,600	4"	7-3/4"
26"	2,000	4.75"	2,375	4"	10-1/2"
30"	1,700	4.75"	2,020	4"	12-1/2"
36"	1,400	5.6"	1,960	4"	15"
42"	1,200	6.9"	2,070	4"	17-1/2"

**WARNING:** When changing blade size, use chart shown below for selecting items that must be changed.

Model CC5048	14"	20"	26"	30"	36"	42"
Blade Guard Assembly	6010950	6010952	6010954	6010956	6010958	9010960
Blade Shaft Sheave (Sheave Size)	6012102 (4")	6012102 (4")	6010834 (4.75")	6010834 (4.75")	6010175 (5.6")	6010289 (6.9")
Drive Belts (8) (Belt Size)	2500188 (3VX560)	2500188 (3VX560)	2503849 (3VX570)	2503849 (3VX570)	2503683 (3VX580)	2503684 (3VX600)
Inner Flanges (2) (Flange Size)	6010036 (4.5")	6010036 (4.5")	6010255 (5")	6010255 (5")	6010038 (6")	6017230 (7")
Outer Flanges (2) (Flange Size)	6010037 (4.5")	6010037 (4.5")	6047907 (5")	6047907 (5")	6010039 (6")	6017231 (7")
Skid Plate Mounting Holes	Bottom Set	Bottom Set	1 Up from Bottom Set	1 Up from Bottom Set	1 Down from Top Set	Top Set

## **EQUIPMENT AND PARTS WARRANTY**

Diamond Products warrants all equipment manufactured by it against defects in workmanship or materials for a period of one (1) year from the date of shipment to Customer.

The responsibility of Diamond Products under this Warranty is limited to replacement or repair of defective parts at Diamond Products' Elyria, Ohio factory, or at a point designated by it, of such parts as shall appear to us upon inspection at such parts, to have been defective in material or workmanship, with expense for transportation and labor borne by Customer.

In no event shall Diamond Products be liable for consequential or incidental damages arising out of the failure of any Product to operate properly.

Integral units such as engines, electric motors, batteries, transmissions, etc., are excluded from this Warranty and are subject to the prime manufacturer's warranty.

**THIS WARRANTY IS IN LIEU OF ALL OTHER WARRANTIES, EXPRESSED OR IMPLIED, AND ALL SUCH OTHER WARRANTIES ARE HEREBY DISCLAIMED.**



333 Prospect Street, Elyria, Ohio 44035  
(440) 323-4616 • (800) 321-5336 • Fax (800) 634-4035  
[www.diamondproducts.com](http://www.diamondproducts.com)