

# CC3700E Electric Walk Behind Saw



Electric

**Powerful Multi-Application Saw - Big Power That Fits Through a 30" Door Frame\***

*\*With blade guard removed*



Blade sold separately

**14" - 42" Blade Capacity**

**Self Propelled**

### Features & Benefits

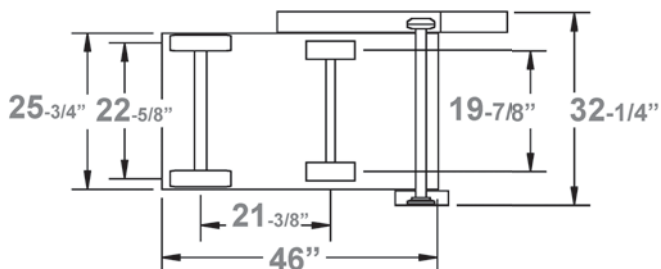
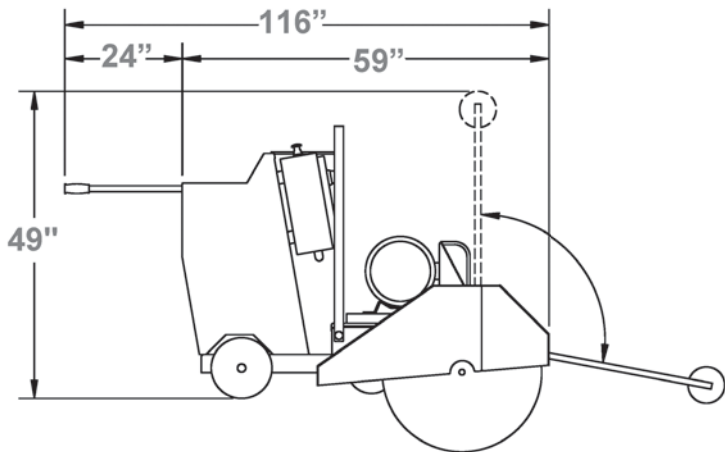
- Frame designed for higher torque from high horsepower engines
- Forward position motor for more weight at the blade and less on the operator
- Single or three speed models
- Front pivot
- One hand sawing control
- Slip-on blade guard

### Specifications

Maximum depth of cut with 14" blade:	4-1/2"
Maximum depth of cut with 20" blade:	7-1/2"
Maximum depth of cut with 26" blade:	10-1/2"
Maximum depth of cut with 30" blade:	11-3/4"
Maximum depth of cut with 36" blade:	14-3/4"
Maximum depth of cut with 42" blade:	17-1/4"
Blade shaft diameter:	1-3/4"
Arbor size:	1" with drive pin
Blade shaft drive:	8 belt
Blade mounting:	Right or Left
Blade raise & lower:	Electro-hydraulic pump
Transmission:	Eaton Model 10
Drive speed:	0-200 feet/min

### INCLUDES:

- |                |                                |
|----------------|--------------------------------|
| Electric Start | Telescoping front pointer      |
| Hour meter     | Cutting depth indicator        |
| Frame lift     | Quick disconnect blade flanges |



**CC3700E Starter Box** (electric models only)

Large electric saws feature an electric starter controller/starter and a 2" emergency stop button within easy reach of the operator.



**Parts List # (Electric):** 1800774  
**Parts List # (3-Speed Electric):** 1801948  
**Operator Manual #:** 1800266

## CC3700E ELECTRIC WALK BEHIND SAW

Model #	Motor Make	Motor Power	Power Source	Speed	Part #	Cat #	Blade Capacity	Product Weight (lbs.)	List Price
CC3725E3-14	Leeson®	25 HP, 230V - 3PH	Electric	Single	5800445A	14306	14"	1,385	\$17,322
CC3725E3-14	Leeson®	25 HP, 460V - 3PH	Electric	Single	5800445B	03765	14"	1,385	17,322
CC3725E3-14	Leeson®	25 HP, 575V - 3PH	Electric	Single	5800445C	03781	14"	1,385	17,322
CC3725E3-20	Leeson®	25 HP, 230V - 3PH	Electric	Single	5800446A	07869	20"	1,395	17,483
CC3725E3-20	Leeson®	25 HP, 460V - 3PH	Electric	Single	5800446B	07870	20"	1,395	17,483
CC3725E3-20	Leeson®	25 HP, 575V - 3PH	Electric	Single	5800446C	07878	20"	1,395	17,483
CC3725E3-26	Leeson®	25 HP, 230V - 3PH	Electric	Single	5800447A	03782	26"	1,330	17,730
CC3725E3-26	Leeson®	25 HP, 460V - 3PH	Electric	Single	5800447B	97597	26"	1,405	17,730
CC3725E3-26	Leeson®	25 HP, 575V - 3PH	Electric	Single	5800447C	03783	26"	1,405	17,730
CC3725E3-30	Leeson®	25 HP, 230V - 3PH	Electric	Single	5800448A	32087	30"	1,415	17,993
CC3725E3-30	Leeson®	25 HP, 460V - 3PH	Electric	Single	5800448B	03797	30"	1,415	17,993
CC3725E3-30	Leeson®	25 HP, 575V - 3PH	Electric	Single	5800448C	03805	30"	1,415	17,993
CC3725E3-36	Leeson®	25 HP, 230V - 3PH	Electric	Single	5800449A	07716	36"	1,425	18,225
CC3725E3-36	Leeson®	25 HP, 460V - 3PH	Electric	Single	5800449B	03811	36"	1,425	18,225
CC3725E3-36	Leeson®	25 HP, 575V - 3PH	Electric	Single	5800449C	03829	36"	1,425	18,225
CC3730E3-14	Lincoln®	30 HP, 460V - 3PH	Electric	Single	5800381A	14300	14"	1,350	17,961
CC3730E3-20	Lincoln®	30 HP, 460V - 3PH	Electric	Single	5800382A	97788	20"	1,360	18,119
CC3730E3-26	Lincoln®	30 HP, 460V - 3PH	Electric	Single	5800383A	99455	26"	1,370	18,360
CC3730E3-30	Lincoln®	30 HP, 460V - 3PH	Electric	Single	5800384A	15225	30"	1,380	18,602
CC3730E3-36	Lincoln®	30 HP, 460V - 3PH	Electric	Single	5800385A	60786	36"	1,270	18,838
CC3740E3-20	Lincoln®	40 HP, 460V - 3PH	Electric	Single	5800436A	50871	20"	1,435	18,602
CC3740E3-26	Lincoln®	40 HP, 460V - 3PH	Electric	Single	5800437A	97350	26"	1,325	18,850
CC3740E3-30	Lincoln®	40 HP, 460V - 3PH	Electric	Single	5800438A	99107	30"	1,455	19,098
CC3740E3-36	Lincoln®	40 HP, 460V - 3PH	Electric	Single	5800439A	10497	36"	1,345	19,349
CC3730E3-3-14	Lincoln®	30 HP, 460V - 3PH	Electric	3-Speed	5801080A	45113	14"	1,450	26,134
CC3730E3-3-14	Lincoln®	30 HP, 575V - 3PH	Electric	3-Speed	5801080B	45114	14"	1,450	26,426
CC3730E3-3-20	Lincoln®	30 HP, 460V - 3PH	Electric	3-Speed	5801081A	45115	20"	1,460	26,171
CC3730E3-3-20	Lincoln®	30 HP, 575V - 3PH	Electric	3-Speed	5801081B	45117	20"	1,460	26,463
CC3730E3-3-26	Lincoln®	30 HP, 460V - 3PH	Electric	3-Speed	5801082A	44435	26"	1,470	26,262
CC3730E3-3-26	Lincoln®	30 HP, 575V - 3PH	Electric	3-Speed	5801082B	45118	26"	1,470	26,554
CC3730E3-3-30	Lincoln®	30 HP, 460V - 3PH	Electric	3-Speed	5801083A	45119	30"	1,480	26,284
CC3730E3-3-30	Lincoln®	30 HP, 575V - 3PH	Electric	3-Speed	5801083B	45123	30"	1,480	26,575
CC3730E3-3-36	Lincoln®	30 HP, 460V - 3PH	Electric	3-Speed	5801084A	45124	36"	1,490	26,423
CC3730E3-3-36	Lincoln®	30 HP, 575V - 3PH	Electric	3-Speed	5801084B	45125	36"	1,490	26,715
CC3730E3-3-42	Lincoln®	30 HP, 460V - 3PH	Electric	3-Speed	5801085A	45126	42"	1,600	26,593
CC3730E3-3-42	Lincoln®	30 HP, 575V - 3PH	Electric	3-Speed	5801085B	45127	42"	1,600	26,885
CC3740E3-3-14	Lincoln®	40 HP, 460V - 3PH	Electric	3-Speed	5801086A	45128	14"	1,425	26,934
CC3740E3-3-14	Lincoln®	40 HP, 575V - 3PH	Electric	3-Speed	5801086B	45129	14"	1,425	26,975
CC3740E3-3-20	Lincoln®	40 HP, 460V - 3PH	Electric	3-Speed	5801087A	45130	20"	1,535	26,914
CC3740E3-3-20	Lincoln®	40 HP, 575V - 3PH	Electric	3-Speed	5801087B	45131	20"	1,535	26,954
CC3740E3-3-26	Lincoln®	40 HP, 460V - 3PH	Electric	3-Speed	5801088A	45134	26"	1,545	27,063
CC3740E3-3-26	Lincoln®	40 HP, 575V - 3PH	Electric	3-Speed	5801088B	45135	26"	1,545	27,101
CC3740E3-3-30	Lincoln®	40 HP, 460V - 3PH	Electric	3-Speed	5801089A	42266	30"	1,405	27,026
CC3740E3-3-30	Lincoln®	40 HP, 575V - 3PH	Electric	3-Speed	5801089B	45137	30"	1,555	27,066
CC3740E3-3-36	Lincoln®	40 HP, 460V - 3PH	Electric	3-Speed	5801090A	44357	36"	1,565	27,223
CC3740E3-3-36	Lincoln®	40 HP, 575V - 3PH	Electric	3-Speed	5801090B	45138	36"	1,565	27,262
CC3740E3-3-42	Lincoln®	40 HP, 460V - 3PH	Electric	3-Speed	5801091A	45141	42"	1,575	27,336
CC3740E3-3-42	Lincoln®	40 HP, 575V - 3PH	Electric	3-Speed	5801091B	45143	42"	1,575	27,376

### CC3700E OPTIONS

Description	Part #	Cat #	List Price
Water Safety Switch	6047932	47451	\$158
Water Pump (electric)	6011032	02506	476
Parking Brake	6011228	81191	397
Spot Light	6010112	02427	176
Spot Light Kit for Soft Start Electric Models	6012182	27477	260
Blade spacing kit - 5" flange (for blades 1-1/2" apart)*	6010630A	23186	879
Blade spacing kit - 5" flange (for blades 2" apart)	6010631A	23187	925
Blade spacing kit - 5" flange (for blades 4" apart)	6010632A	16558	1,093
Lowering Speed Metering Valve	6010227	02480	279
Soft Start Controller Add On for 230/460 volt**	6012187A	14310	4,231
Soft Start Controller Add On for 575 volt**	6012187B	14311	4,231
DC Travel 230/460V for saws without soft start**	6011620	67929	2,546
DC Travel 230/460V for saws with soft start**	6011622	22427	2,600
DC Travel 230/460V for saws w/soft start alternator kit	6011623	33640	3,994

### CC3700E BLADE GUARDS

Description	Part #	Cat #	List Price
14" Tapered Mount Blade Guard	6010950	20011	\$427
20" Tapered Mount Blade Guard	6010952	08213	634
26" Tapered Mount Blade Guard	6010954	19322	818
30" Tapered Mount Blade Guard	6010956	20456	1,010
36" Tapered Mount Blade Guard	6010958	13375	1,134
42" Tapered Mount Blade Guard	6010960	08216	1,244



*DC Travel option to allow movement of the saw when the saw is shut down.*

\* For 20" maximum blade capacity.

\*\* For electric saws - factory installed.

195  
CORE  
CUT