



Gasoline



Electric

## Ideal for Municipalities and Rental Stores!

14" - 30" Blade Capacity

Self Propelled

### Features & Benefits

- Great mid-size saw for service, utility work and rental
- Jack shaft allows full engine power
- Engine adjustment mechanism for belt tightening and maintenance
- Strongest frame on the market
- 30% more torque with new jack shaft design (on gas models)
- Fits through a 30" door frame
- Cyclone air cleaner

### Specifications

Maximum depth of cut with 14" blade:	4-3/8"
Maximum depth of cut with 20" blade:	7-3/8"
Maximum depth of cut with 26" blade:	10-3/8"
Maximum depth of cut with 30" blade:	12-3/8"
Blade shaft diameter:	1-3/4"
Arbor size:	1" w/drive pin
Blade shaft drive:	6 belt
Blade mounting:	Right or Left
Blade raise & lower:	Electro-hydraulic pump
Transmission:	Eaton Model 10
Drive speed:	0-200 feet/min
Air filter:	4 stage
Fuel capacity (gas models):	6 gallons

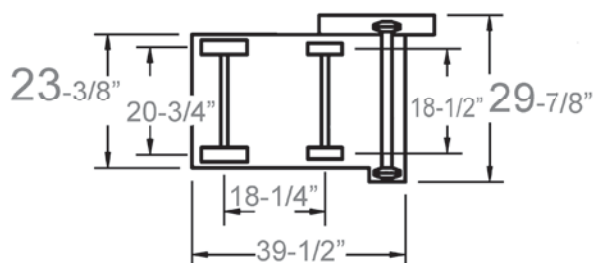
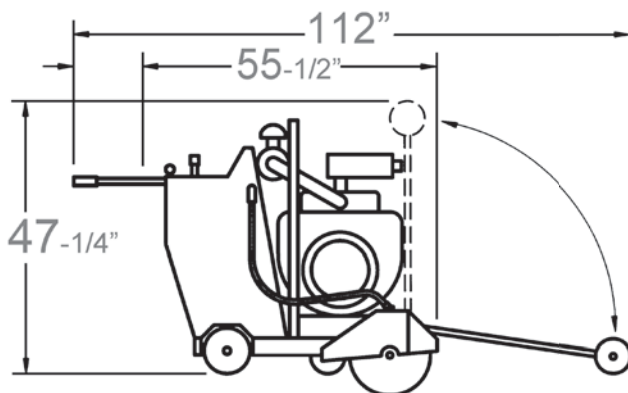
### INCLUDES:

- Telescoping front pointer
- Cutting depth indicator
- Quick disconnect blade flanges
- Hour meter
- Frame lift



CC3540JS

Blade not included



CC3500 Control Panel

Shown with Optional Shaft Tachometer.

575V or 50 cycle motors available on request. (motor starter switch box included). Quick-release Blades/Flange, Slip-on Blade Guards and Double Concave Roller Bearing are standard on all CC3500 models.

Horsepower and Torque as rated by the engine manufacturer.

## CC3500 WALK BEHIND SAW

Model #	Engine/Motor Make/Model	Engine/Motor Power	Power Source	Part #	Cat #	Blade Capacity	Product Weight (lbs.)	List Price
CC3535JBV-14	Briggs & Stratton® Vanguard □	35 HP	Gas	5801305	25324	14"	950	\$15,819
CC3535JBV-20	Briggs & Stratton® Vanguard □	35 HP	Gas	5801306	25330	20"	1,000	15,891
CC3535JBV-26	Briggs & Stratton® Vanguard □	35 HP	Gas	5801307	25331	26"	1,030	15,913
CC3535JBV-30	Briggs & Stratton® Vanguard □	35 HP	Gas	5801308	25337	30"	1,065	16,098
CC3537JK-14	Kohler® Command CH1000	37 HP (55.3 torque)	Gas	5801301	25315	14"	950	18,405
CC3537JK-20	Kohler® Command CH1000	37 HP (55.3 torque)	Gas	5801302	25319	20"	960	18,467
CC3537JK-26	Kohler® Command CH1000	37 HP (55.3 torque)	Gas	5801303	25320	26"	1,020	18,542
CC3537JK-30	Kohler® Command CH1000	37 HP (55.3 torque)	Gas	5801304	25322	30"	1,040	18,604
CC3540JS-14	Subaru EH99	40 HP	Gas	5801141	62747	14"	1,100	16,436
CC3540JS-20	Subaru EH99	40 HP	Gas	5801142	44391	20"	1,150	16,444
CC3540JS-26	Subaru EH99	40 HP	Gas	5801143	62748	26"	1,200	16,521
CC3540JS-30	Subaru EH99	40 HP	Gas	5801144	37465	30"	1,250	16,547
CC3520E3-14	Baldor®	20 HP, 230V - 3PH	Electric	5800784A	50442	14"	1,005	16,360
CC3520E3-14	Baldor®	20 HP, 460V - 3PH	Electric	5800784B	03729	14"	1,005	16,360
CC3520E3-14	Baldor®	20 HP, 575V - 3PH	Electric	5800784C	03730	14"	1,005	16,360
CC3520E3-20	Baldor®	20 HP, 230V - 3PH	Electric	5800785A	50443	20"	1,070	16,446
CC3520E3-20	Baldor®	20 HP, 460V - 3PH	Electric	5800785B	57116	20"	1,060	16,446
CC3520E3-20	Baldor®	20 HP, 575V - 3PH	Electric	5800785C	03733	20"	1,015	16,446
CC3520E3-26	Baldor®	20 HP, 230V - 3PH	Electric	5800786A	50444	26"	1,025	16,616
CC3520E3-26	Baldor®	20 HP, 460V - 3PH	Electric	5800786B	51919	26"	1,025	16,616
CC3520E3-26	Baldor®	20 HP, 575V - 3PH	Electric	5800786C	03739	26"	1,025	16,616
CC3520E3-30	Baldor®	20 HP, 230V - 3PH	Electric	5800787A	50446	30"	1,070	16,782
CC3520E3-30	Baldor®	20 HP, 460V - 3PH	Electric	5800787B	68486	30"	1,035	16,782
CC3520E3-30	Baldor®	20 HP, 575V - 3PH	Electric	5800787C	03743	30"	1,035	16,782
CC3530E3-14	Baldor®	30 HP, 460V - 3PH	Electric	5800788A	50439	14"	1,035	17,324
CC3530E3-14	Lincoln®	30 HP, 575V - 3PH	Electric	5800788B	46558	14"	1,035	17,324
CC3530E3-20	Lincoln®	30 HP, 460V - 3PH	Electric	5800789A	50440	20"	1,045	17,406
CC3530E3-20	Lincoln®	30 HP, 575V - 3PH	Electric	5800789B	46559	20"	1,045	17,406
CC3530E3-26	Lincoln®	30 HP, 460V - 3PH	Electric	5800790A	50392	26"	1,055	17,574
CC3530E3-26	Lincoln®	30 HP, 575V - 3PH	Electric	5800790B	76420	26"	1,055	17,574
CC3530E3-30	Lincoln®	30 HP, 460V - 3PH	Electric	5800791A	50441	30"	1,065	17,747
CC3530E3-30	Lincoln®	30 HP, 575V - 3PH	Electric	5800791B	62313	30"	1,065	17,747

□ Gross horsepower at 3600 RPM per SAEJ1940

### CC3500 BLADE GUARDS

Description	Part #	Cat #	List Price
14" Tapered Mount Blade Guard	6010950	20011	\$427
20" Tapered Mount Blade Guard	6010952	08213	634
26" Tapered Mount Blade Guard	6010954	19322	818
30" Tapered Mount Blade Guard	6010956	20456	1,010

### CC3500 OPTIONS

Description	Part #	Cat #	List Price
Water Safety Switch	6047932	47451	\$158
Water Pump (electric)	6011032	02506	476
Parking Brake	6011228	81191	397
Spot Light	6010112	02427	176
Shaft Tachometer	6011384	28315	260
Spot Light Kit for Soft Start Electric Models	6012182	27477	569
Blade spacing kit - 5" flange (for blades 1-1/2" apart)	6010630B	25424	879
Blade spacing kit - 5" flange (for blades 2" apart)	6010631B	25426	925
Blade spacing kit - 5" flange (for blades 4" apart)	6010632B	23197	1,093
Lowering Speed Metering Valve	6010227	02480	279
Soft Start Controller Add On for 230/460 volt**	6011449A	14278	4,231
Soft Start Controller Add On for 575 volt**	6011449B	14279	4,231
DC Travel 230/460V for saws without soft start**	6011621	98161	2,546
DC Travel 230/460V for saw with soft start**	6011624	33629	3,043



CC3537JK

**Engine Warranties:**  
 Briggs & Stratton - 3 year  
 Kohler Command - 3 year  
 Subaru - 5 year

\*\* For electric saws - factory installed only.