



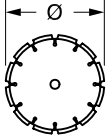
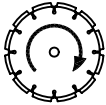
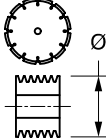
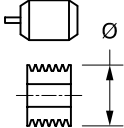
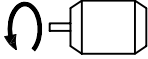
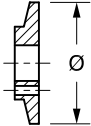
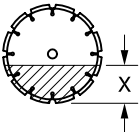
CONCRETE SAW PARTS LIST

MODEL
CC3520E/CC3530E

April 2017

Part #1800951

⚠ WARNING: NEVER EXCEED THE MAXIMUM RPM STAMPED ON BLADE!
 Excessive speed can cause blade breakage resulting in serious personal injury or death!

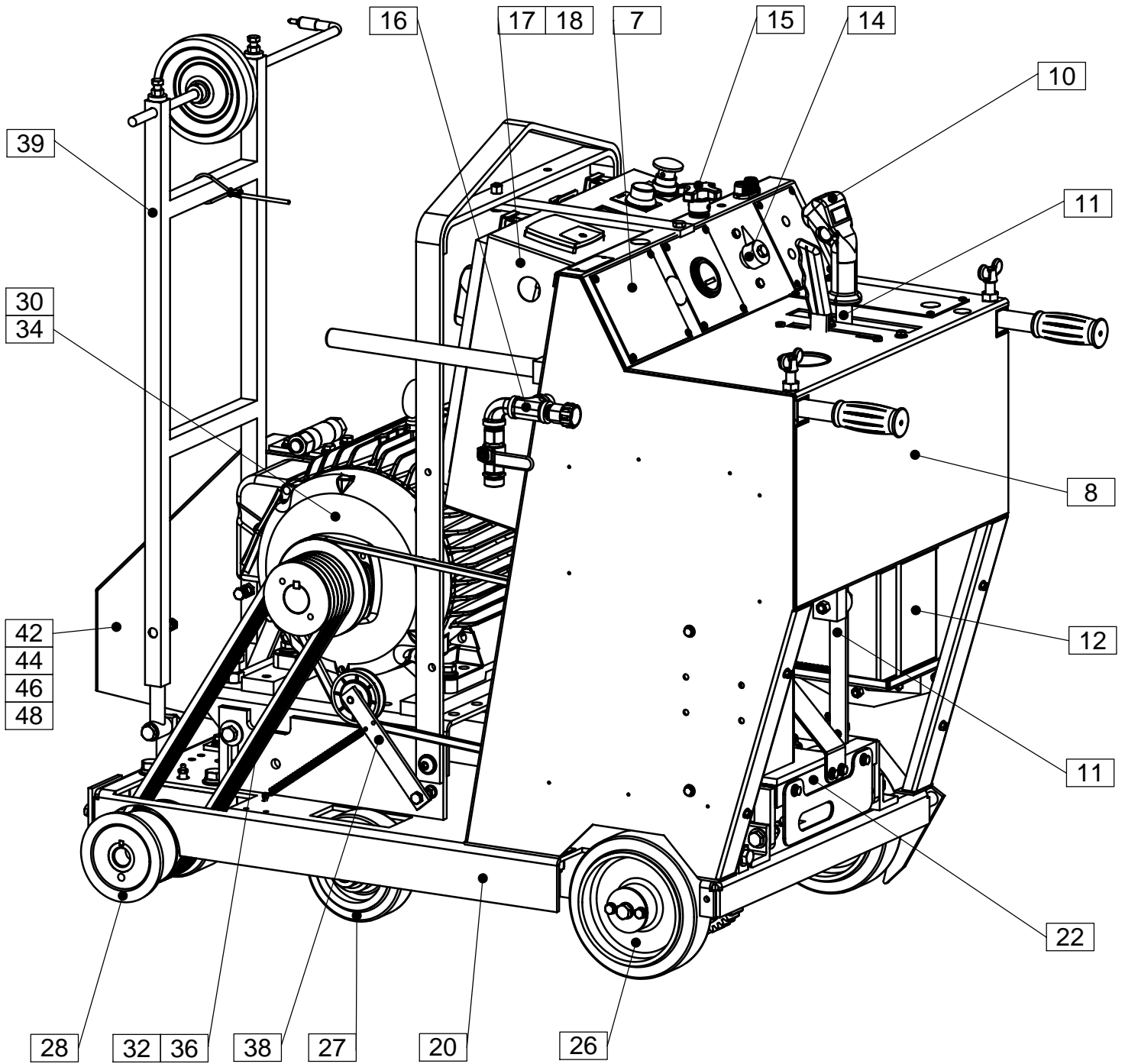
CC3520E / CC3530E RPM CHART						
BLADE SIZE	BLADE RPM	BLADESHAFT SHEAVE	MOTOR SHEAVE	MOTOR RPM	FLANGE SIZE	MAX CUT DEPTH
14"	3,050	3.12"	5.30"	1,800	5"	4-3/8"
20"	2,350	3.65"	4.75"	1,800	5"	7-3/8"
26"	1,800	4.12"	4.12"	1,800	5"	10-3/8"
30"	1,550	4.75"	4.12"	1,800	5"	12-3/8"
						

⚠ WARNING ⚠
 The engine exhaust from this product contains chemicals known to the State of California to cause cancer, birth defects or other reproductive harm.

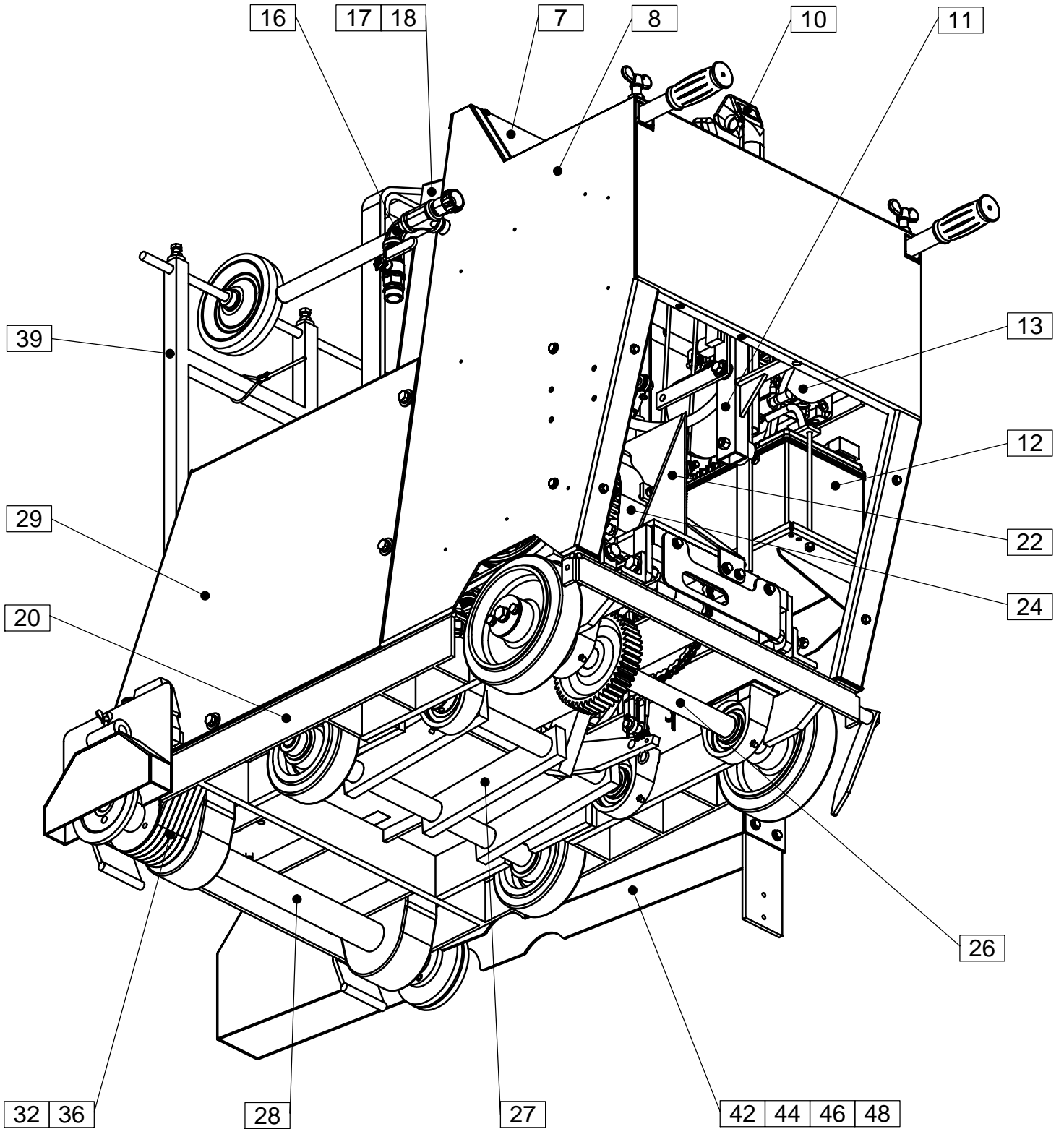
Table of Contents

Pictorial Page Index.....	4,5	30hp Belt Drive Assembly.....	36,37
Controls Legend.....	6	Idler Assembly.....	38
Instrument Panel Assembly.....	7	Front Pointer Assembly.....	39
Frame Upright Assembly.....	8,9	Notes.....	40,41
Control Grip Assembly.....	10	14” Blade Guard Assembly.....	42,43
Control Lever Assembly (Eaton).....	11	20” Blade Guard Assembly.....	44,45
Battery Assembly.....	12	26” Blade Guard Assembly.....	46,47
Hydraulic Pump Assembly.....	13	30” Blade Guard Assembly.....	48,49
Depth Indicator Assembly.....	14	Optional Soft Start Unit Assembly.....	50
Depth Stop Assembly.....	15	Optional Frame Lift Assembly.....	51
Water Supply Assembly.....	16	Optional Speed Metering Valve Assembly.....	52
Starter Box Assembly.....	17	Optional Water Pump Assembly.....	53
Starter Box Unit.....	18,19	Optional Spot Light Assembly.....	54
Frame Base Assembly.....	20	Optional Spot Light Assembly.....	55
Hydraulic Cylinder Assembly.....	21	Optional CC3500 DC Travel Assembly.....	56,57
Rear Drive Assembly (Eaton).....	22,23	Starter Box Assembly, DC Travel.....	59
Eaton Transmission Assembly.....	24	Optional Parking Brake Assembly.....	60,61
Linkage Assembly.....	25	Optional Blade Stacking Assembly.....	62,63
Rear Axle Assembly (Eaton / Gear).....	26	Optional Blade Spacing Assembly.....	64,65
Front Axle Assembly.....	27	Optional Blade Spacing Assembly.....	66,67
Blade Shaft Assembly.....	28	Decal Group.....	68
Belt Guard Assembly.....	29	Wiring Diagram.....	69
20hp Motor Mount Assembly.....	30,31	Notes.....	70
20hp Belt Drive Assembly.....	32,33	Blade Speed Conversion Charts.....	71
30hp Motor Mount Assembly.....	34,35	Warranty.....	72

Pictorial Page Index

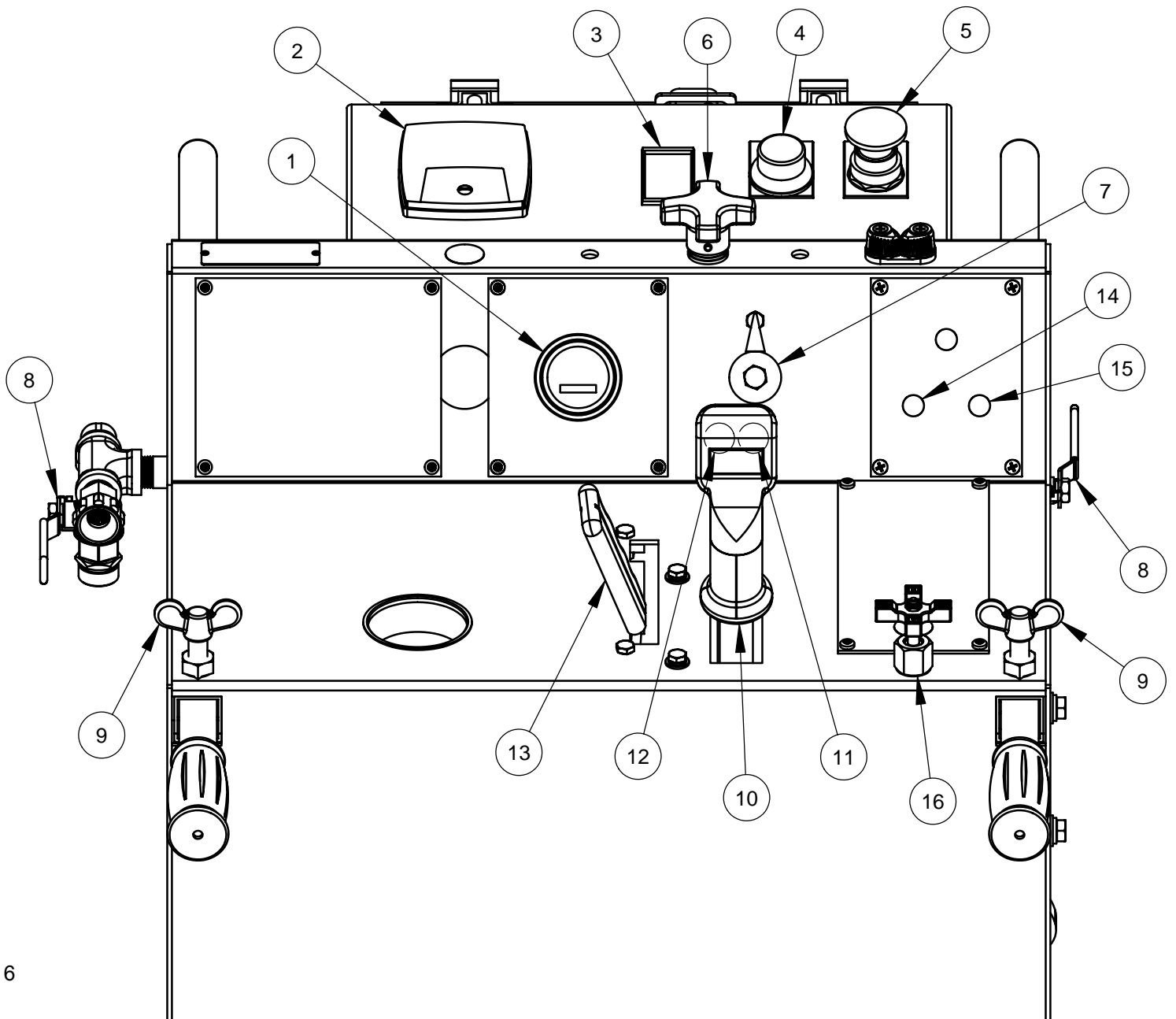


Pictorial Page Index

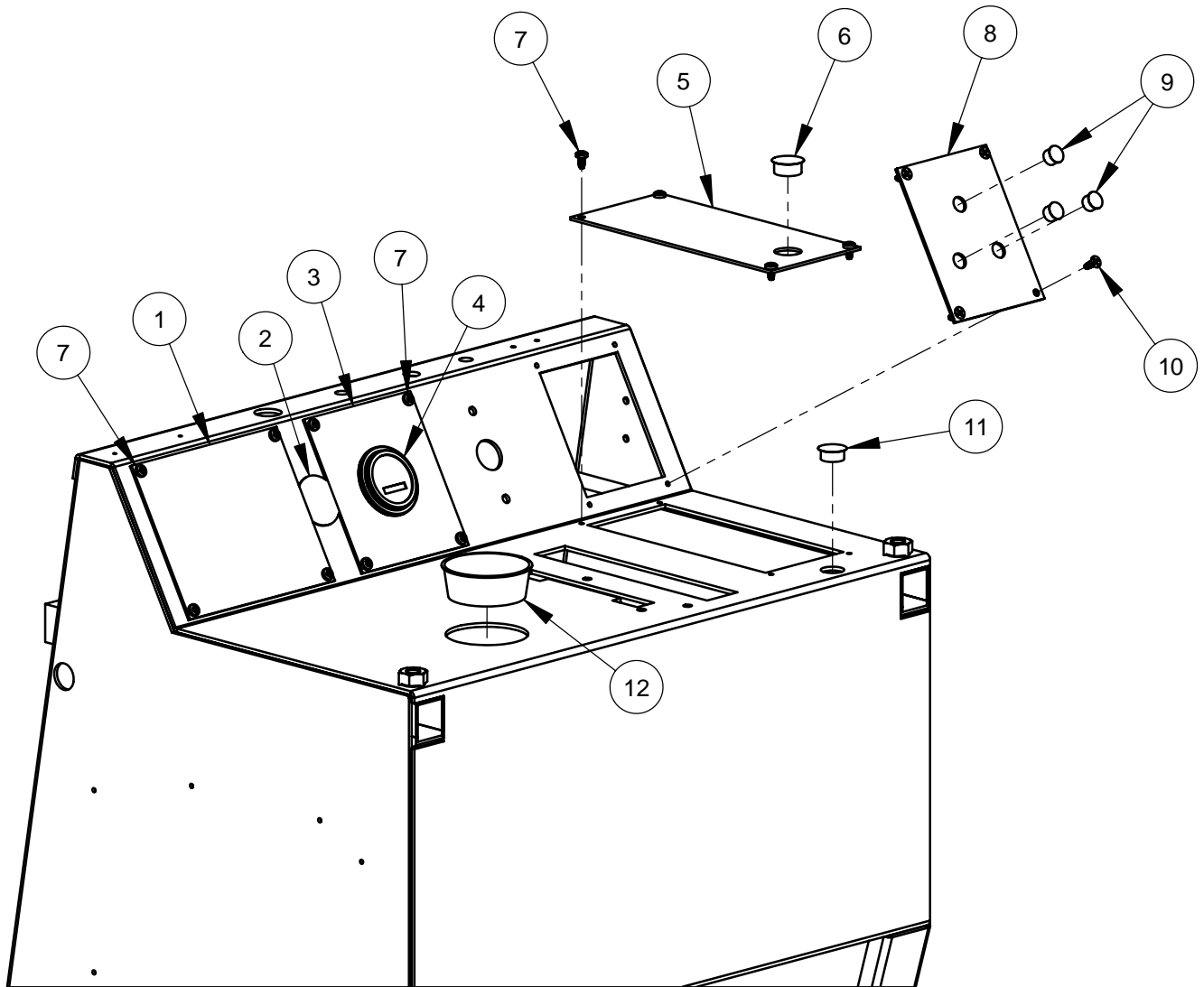


Controls Legend

- | | | | |
|---|-------------------------|----|--|
| 1 | Hour Meter | 9 | Handle Lock Knobs |
| 2 | Amp Meter | 10 | Speed Control Lever |
| 3 | Battery Charge Meter | 11 | Lower Pushbutton |
| 4 | Motor Start Button | 12 | Raise Pushbutton |
| 5 | Motor Stop Button | 13 | Transmission Engagement Lever |
| 6 | Depth Stop Knob | 14 | Water Pump Switch (Optional) |
| 7 | Cutting Depth Indicator | 15 | Spotlight Switch (Optional) |
| 8 | Water Valve | 16 | Lowering Speed Metering Valve (Optional) |

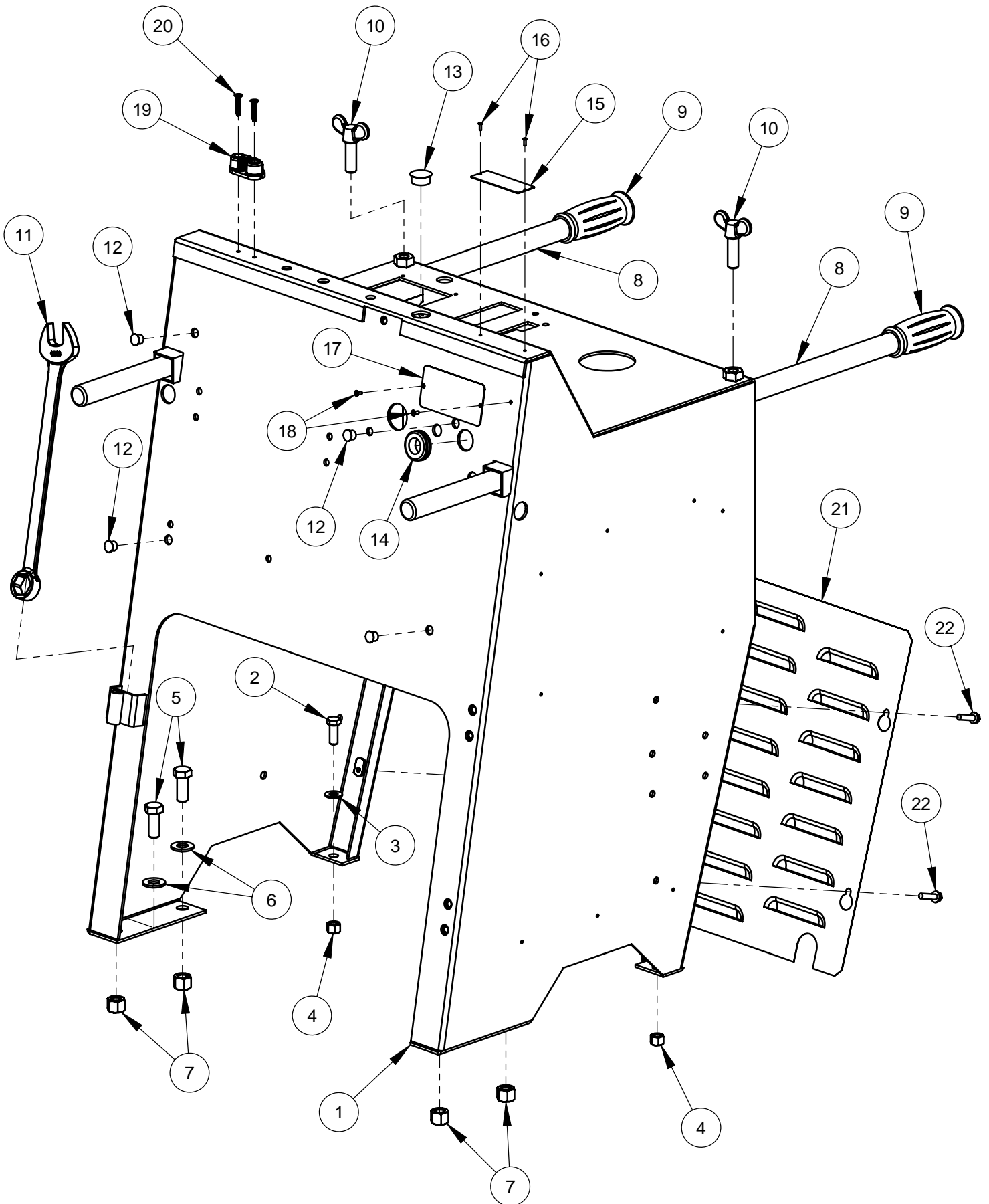


Instrument Panel Assembly #6011429



ITEM	PART NO.	QTY.	DESCRIPTION
1	6011074	1	Dash Cover Panel
2	2500554	1	Plug, 1-1/2" Hole
3	6010240	1	Meter Panel (Hour)
4	2800064	1	Hour Meter
5	6011024	1	Hydraulic Pump Cover Plate
6	2500549	1	Plug, 7/8" Hole
7	2900021	12	Tap Screw, Pan Hd., #10-24 x 3/8"
8	6010098	1	Switch Plate
9	2500204	3	Plug, 1/2" Hole
10	2900445	4	Tap Screw, Flat Hd., #10-24 x 1/2"
11	2500463	1	Plug, 3/4" Hole
12	2500381	1	Plug, 2-5/8" Tapered Hole

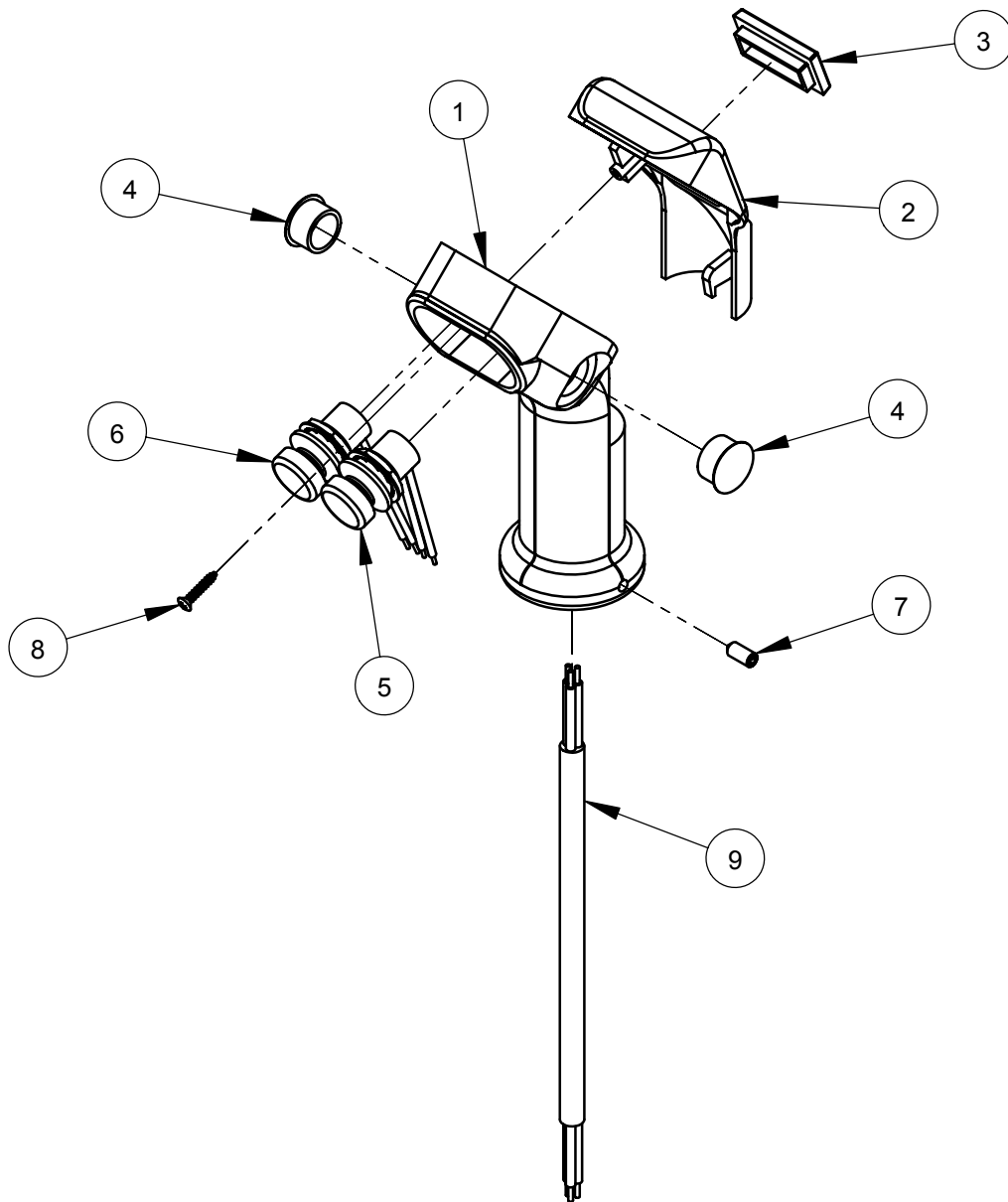
Frame Upright Assembly #6011415



Frame Upright Assembly #6011415

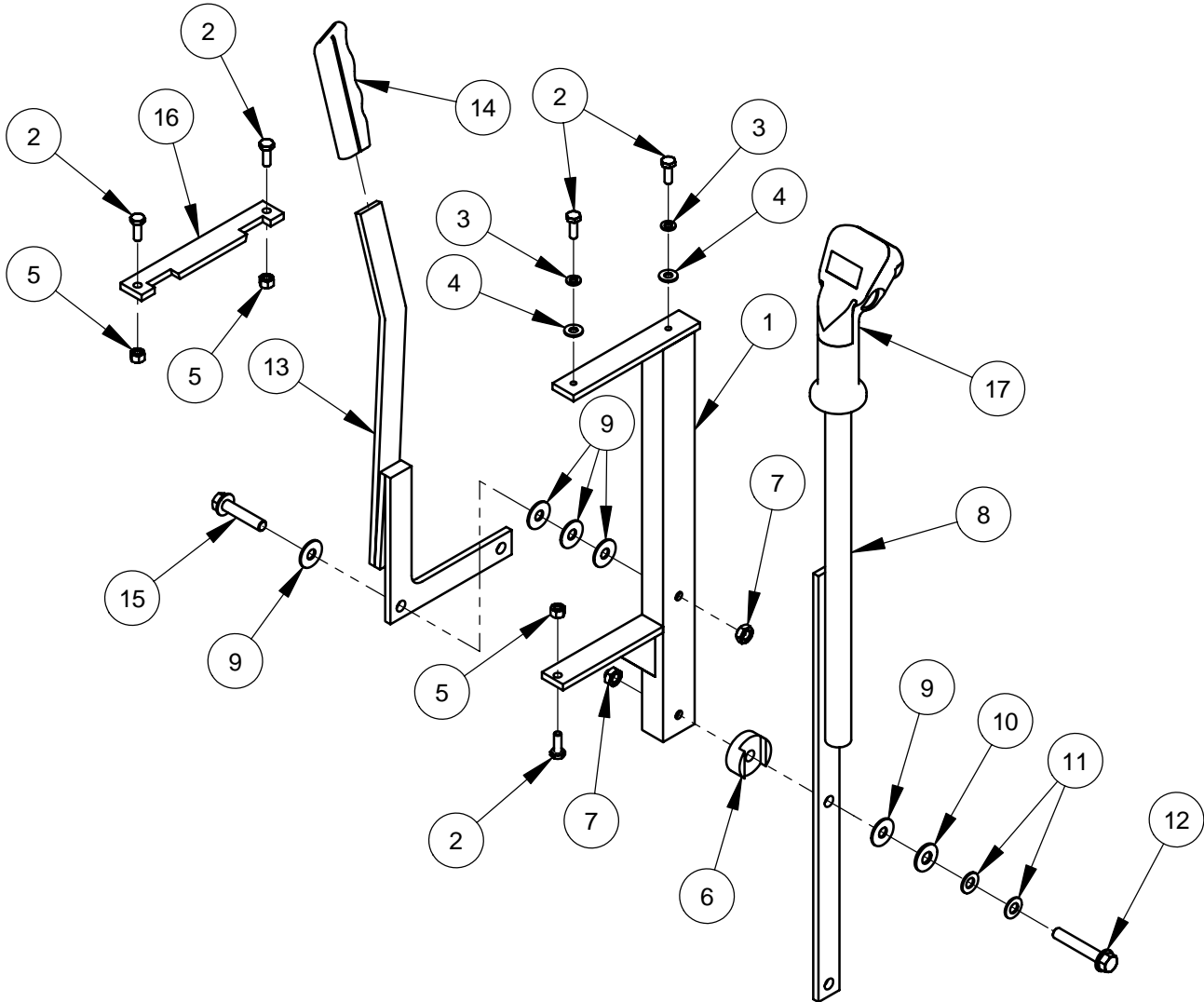
ITEM	PART NO.	QTY.	DESCRIPTION
1	6011401	1	Frame Upright Weldment
2	2900005	2	Cap Screw, Hex Hd., 3/8-16 x 1"
3	2900014	2	Flat Washer, 3/8" SAE
4	2900018	2	Lock Nut, 3/8-16 Nylon
5	2900025	4	Cap Screw, Hex Hd., 1/2-13 x 1-1/4"
6	2900058	4	Flat Washer, 1/2" SAE
7	2900026	4	Lock Nut, 1/2-13 Nylon
8	6010014	2	Handle Bar, 36" Long
9	2500636	2	Handle Grip
10	2900430	2	Hand Lock Knob, 1/2-13 x 1-1/2"
11	2503704	1	Wrench, 15/16" Combination
12	2501287	4	Plug, 7/16" Hole
13	2500549	1	Plug, 7/8" Hole
14	2500203	1	Grommet, 3/4" I.D.
15	1800169	1	Serial Number Plate, US
16	2900096	2	Rivet, 3/32" Dia.
17	1800377	1	Serial Number Plate, CE
18	2900287	2	Rivet, 1/8" Dia.
19	2501427	1	Cable Cleat
20	2900483	2	Tap Screw, Flat Hd., #10-24 x 1"
21	6011023	1	Rear Cover Screen
22	2900180	4	Cap Screw, Hex Flange Hd., 1/4-20 x 1"

Control Grip Assembly #6010319



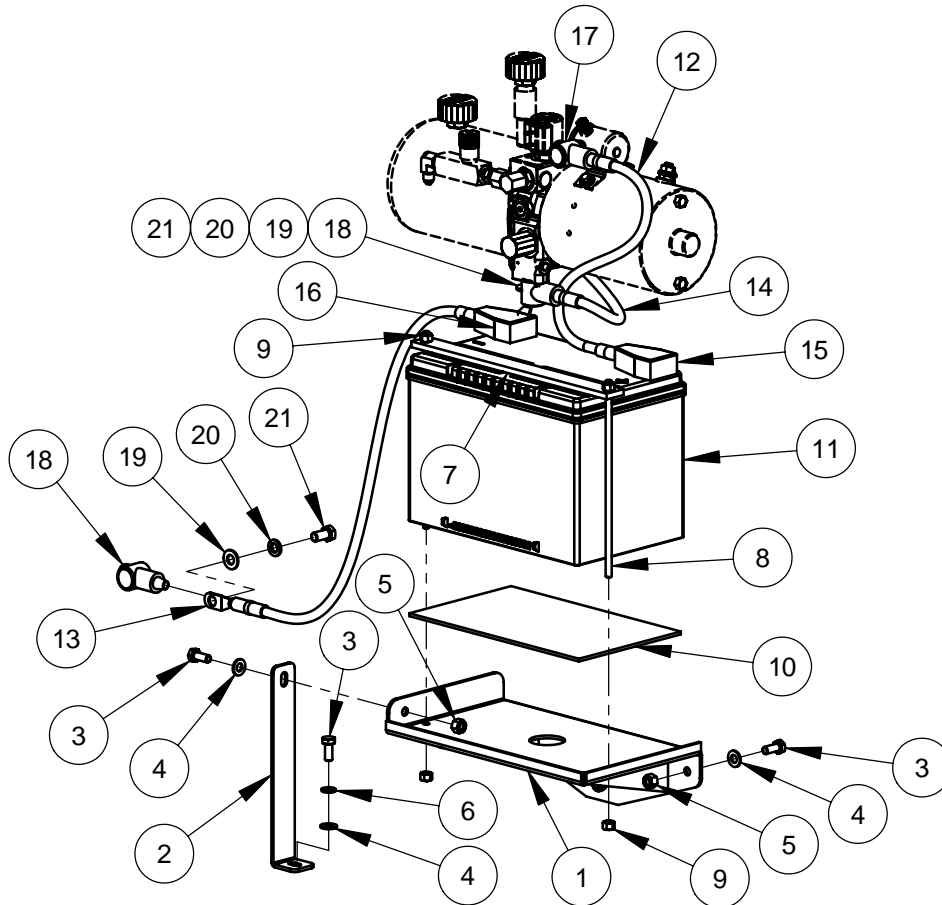
ITEM	PART NO.	QTY.	DESCRIPTION
1	2501280	1	Control Grip Body
2	2501281	1	Control Grip Cover
3	2500644	1	Plug, Rectangular
4	2500694	2	Plug, 5/8" Hole
5	2800372	1	Pushbutton Switch, Raise
6	2800373	1	Pushbutton Switch, Lower
7	2900453	1	Set Screw, Soc. Hd., M5 x 12mm
8	2900452	1	Machine Screw, Oval Hd., #4 x 5/8"
9	2800393	1	Harness, Hydraulic Pump

Control Lever Assembly #6011417 (Eaton)



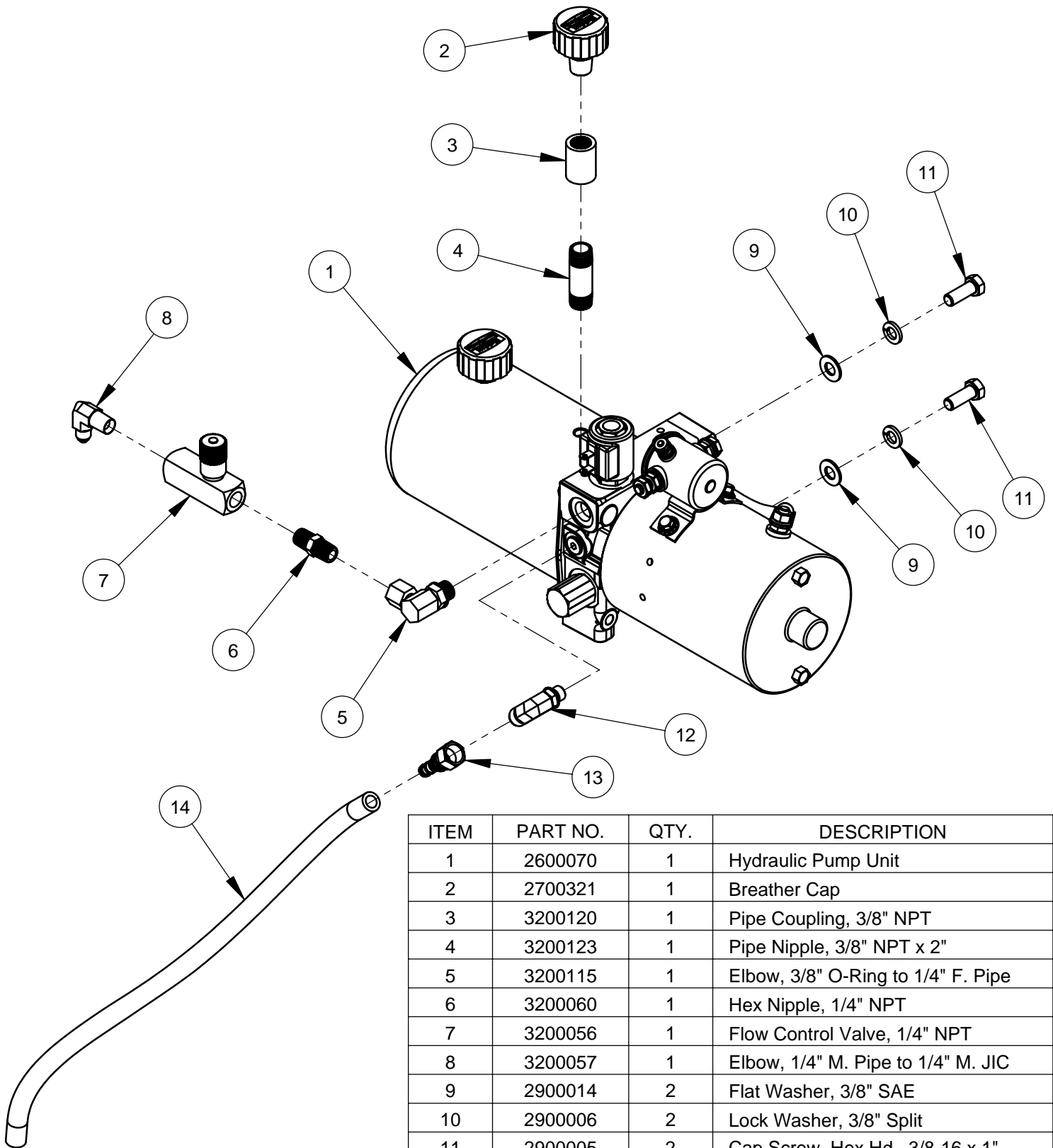
ITEM	PART NO.	QTY	DESCRIPTION
1	6011410	1	Lever Support Weldment
2	2900144	5	Cap Screw, Hex Hd., 1/4-20 x 3/4"
3	2900024	2	Lock Washer, 1/4" Split
4	2900009	2	Flat Washer, 1/4" SAE
5	2900010	3	Lock Nut, 1/4-20 Nylon
6	6010055	1	Friction Spacer
7	2900782	2	Jam Nut, 3/8-16
8	6011414	1	Speed Control Lever
9	2900153	5	Friction Washer, 3/8"
10	2900473	1	Flat Washer, 3/8" USS
11	2900474	2	Belleville Washer, 3/8"
12	2900781	1	Cap Screw, Hex Flange Hd., 3/8-16 x 2-1/4"
13	6010057	1	Engagement Lever Weldment
14	2500002	1	Lever Grip
15	2900780	1	Cap Screw, Hex Flange Hd., 3/8-16 x 1-3/4"
16	6010058	1	Gate Plate
17	6010319	1	Control Grip Assembly

Battery Assembly #6012131



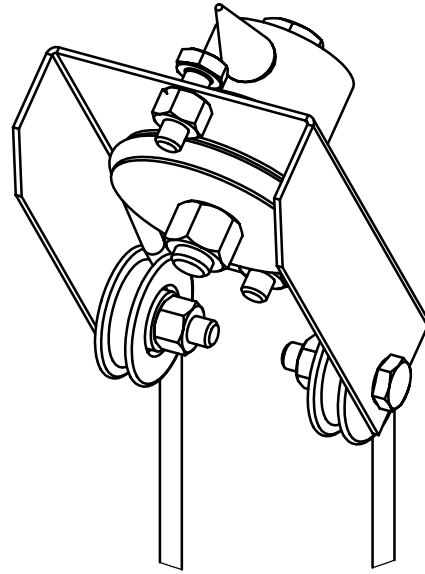
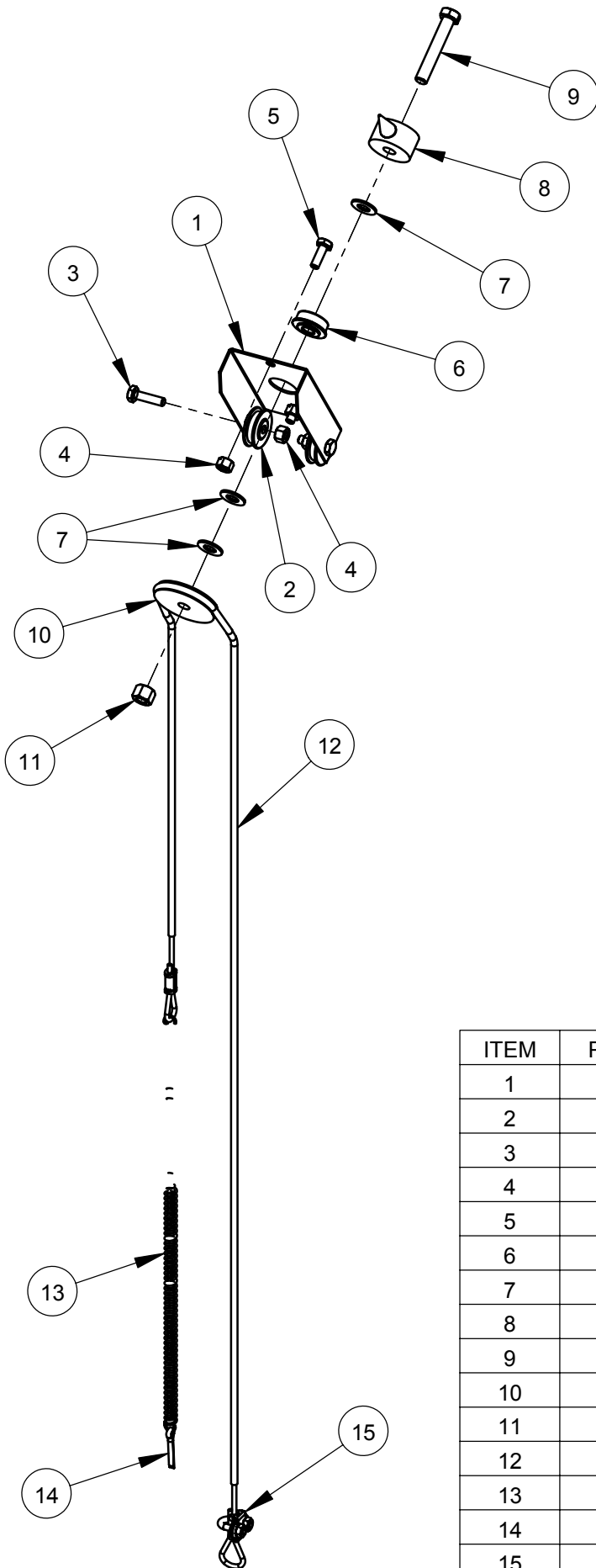
ITEM	PART NO.	QTY.	DESCRIPTION
1	6010670	1	Battery Platform
2	6010554	1	Battery Support Brace
3	2900019	5	Cap Screw, Hex Hd., 5/16-18 x 3/4"
4	2900022	5	Flat Washer, 5/16" SAE
5	2900039	4	Lock Nut, 5/16-18 Nylon
6	2900031	1	Lock Washer, 5/16" Split
7	6010017	1	Battery Top Brace
8	6010018	2	Rod, 1/4-20 x 8-1/2"
9	2900010	4	Lock Nut, 1/4-20 Nylon
10	6010016	1	Battery Pad
11	2700208	1	Battery, 12 Volt Group Size 34
12	2800071	1	Battery Cable, Positive (Red)
13	2800072	1	Battery Cable, Negative (Black)
14	2800182	1	Battery Cable, 14" Negative (Black)
15	2800256	1	Battery Boot, Large (Red)
16	2800257	1	Battery Boot, Large (Black)
17	2800197	1	Battery Boot, Small (Red)
18	2800198	2	Battery Boot, Small (Black)
19	2900014	2	Flat Washer, 3/8" SAE
20	2900006	2	Lock Washer, 3/8" Split
21	2900196	2	Cap Screw, Hex Hd., 3/8-16 x 3/4"

Hydraulic Pump Assembly #6011077
(Includes Items #1 - #11)



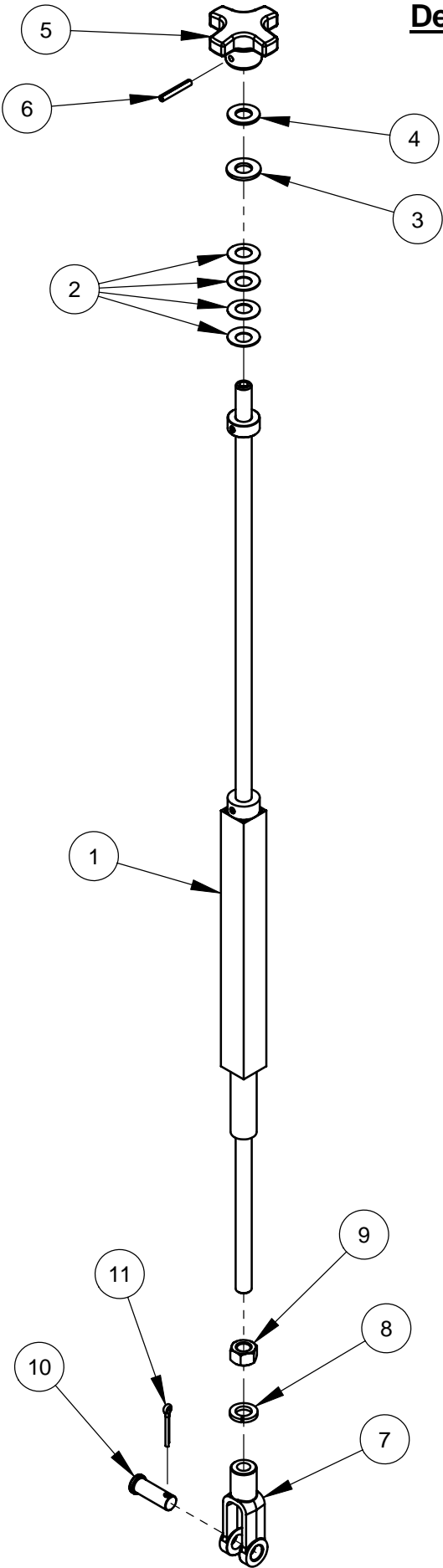
ITEM	PART NO.	QTY.	DESCRIPTION
1	2600070	1	Hydraulic Pump Unit
2	2700321	1	Breather Cap
3	3200120	1	Pipe Coupling, 3/8" NPT
4	3200123	1	Pipe Nipple, 3/8" NPT x 2"
5	3200115	1	Elbow, 3/8" O-Ring to 1/4" F. Pipe
6	3200060	1	Hex Nipple, 1/4" NPT
7	3200056	1	Flow Control Valve, 1/4" NPT
8	3200057	1	Elbow, 1/4" M. Pipe to 1/4" M. JIC
9	2900014	2	Flat Washer, 3/8" SAE
10	2900006	2	Lock Washer, 3/8" Split
11	2900005	2	Cap Screw, Hex Hd., 3/8-16 x 1"
12	3200116	1	Elbow, 1/4" O-Ring to 3/8" M. JIC
13	3200046	1	Fitting, 3/8" F. JIC to 3/8" Push Lock
14	6010059	1	Clear Hose, 3/8" I.D. x 19"

Depth Indicator Assembly #6010214



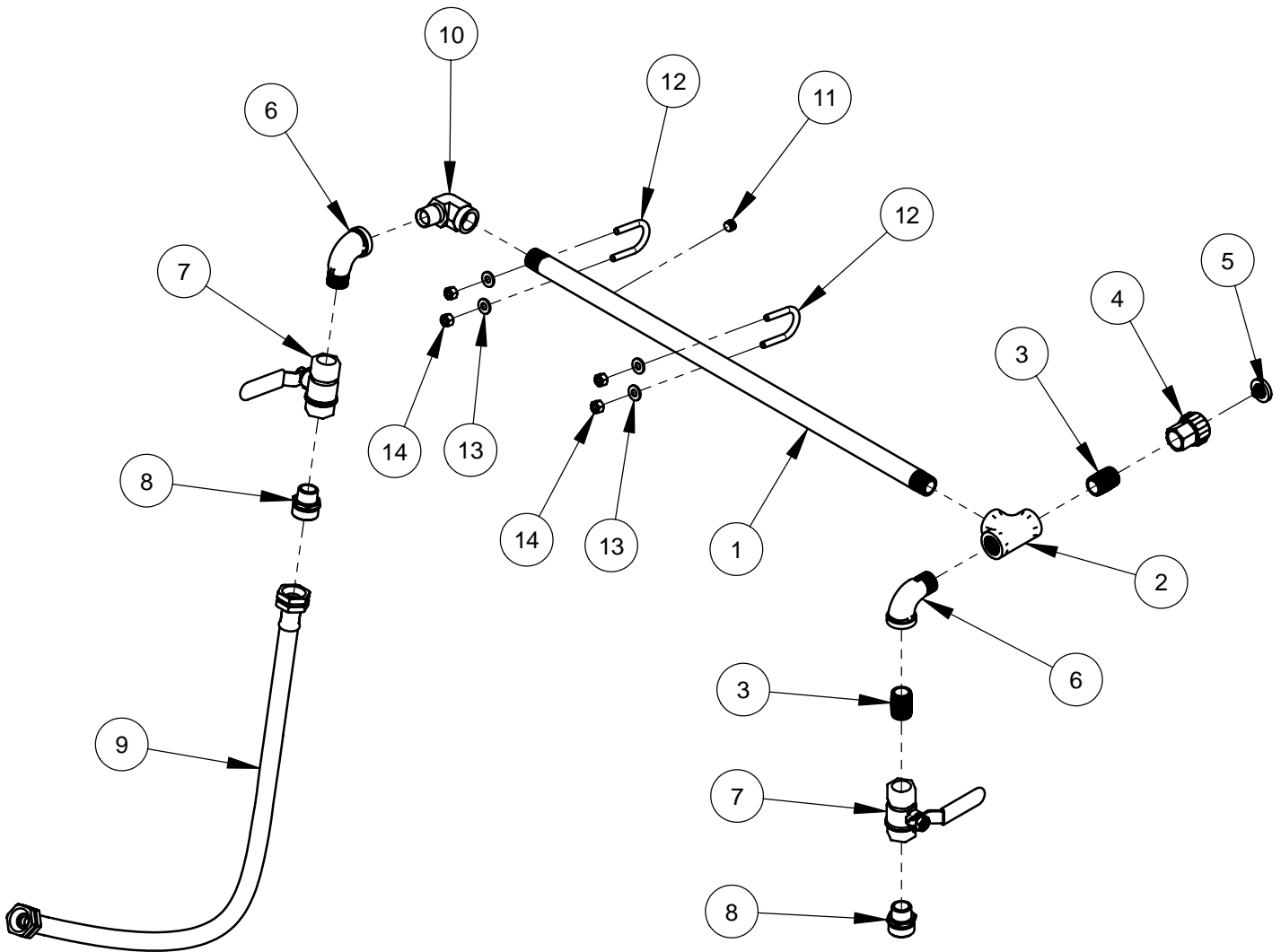
ITEM	PART NO.	QTY.	DESCRIPTION
1	6010092	1	Depth Indicator Mount Bracket
2	2500155	2	Cable Pulley, 1-1/4"
3	2900008	2	Cap Screw, Hex Hd., 1/4-20 x 1"
4	2900010	4	Lock Nut, 1/4-20 Nylon
5	2900144	2	Cap Screw, Hex Hd., 1/4-20 x 3/4"
6	2500145	1	Flange Bearing, 3/8"
7	2900014	3	Flat Washer, 3/8" SAE
8	6010091	1	Depth Indicator Pointer
9	2900079	1	Cap Screw, Hex Hd., 3/8-16 x 2-1/4"
10	6010093	1	Cable Pulley, 2"
11	2900018	1	Lock Nut, 3/8-16 Nylon
12	6010094	1	Depth Indicator Cable with Crimp, 48"
13	2500196	1	Spring, 3/8" x 15"
14	2900055	1	Cotter Pin, 3/16" x 1"
15	2500214	1	Cable Clamp

Depth Stop Assembly #6010215



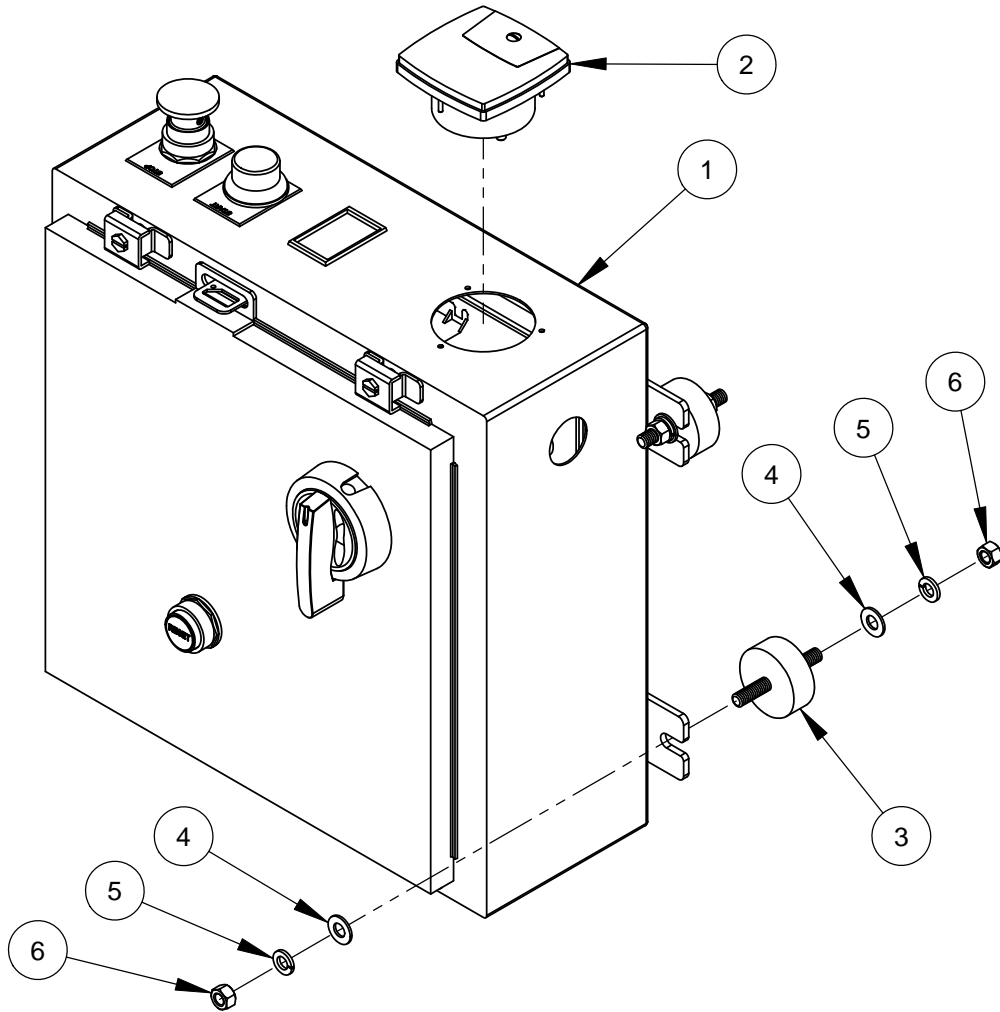
ITEM	PART NO.	QTY.	DESCRIPTION
1	6010097	1	Depth Stop Weldment
2	2900665	4	Belleville Washer, 1/2"
3	2900058	1	Flat Washer, 1/2" SAE
4	2900239	1	Friction Washer, 1/2"
5	6010095	1	Depth Stop Knob
6	2900132	1	Roll Pin, 3/16" x 1-1/4"
7	2900158	1	Yoke, 1/2-13
8	2900084	1	Lock Washer, 1/2" Split
9	2900037	1	Hex Nut, 1/2-13
10	2900007	1	Clevis Pin, 1/2" Dia. x 1-3/8"
11	2900004	1	Cotter Pin, 1/8" x 1"

Water Supply Assembly #6011419



ITEM	PART NO.	QTY.	DESCRIPTION
1	6090067	1	Water Supply Tube
2	3200045	1	Pipe Tee, 1/2" NPT
3	3200008	2	Close Nipple, 1/2" NPT
4	3200022	1	Fitting, 1/2" F. Pipe to 3/4" F. Garden
5	3200025	1	Hose Filter Washer
6	3200013	2	Street Elbow, 1/2" NPT
7	3200027	2	Water Valve
8	3200155	2	Fitting, 1/2" M. Pipe to 3/4" M. Garden
9	6011055	1	Water Hose Assembly, 30" Long
10	3200173	1	Street Elbow, 1/2" NPT Steel
11	3200001	1	Plug, 1/8" NPT
12	2900241	2	U-Bolt, 1/2" Pipe
13	2900009	4	Flat Washer, 1/4" SAE
14	2900010	4	Lock Nut, 1/4-20 Nylon

Starter Box Assembly #6012130



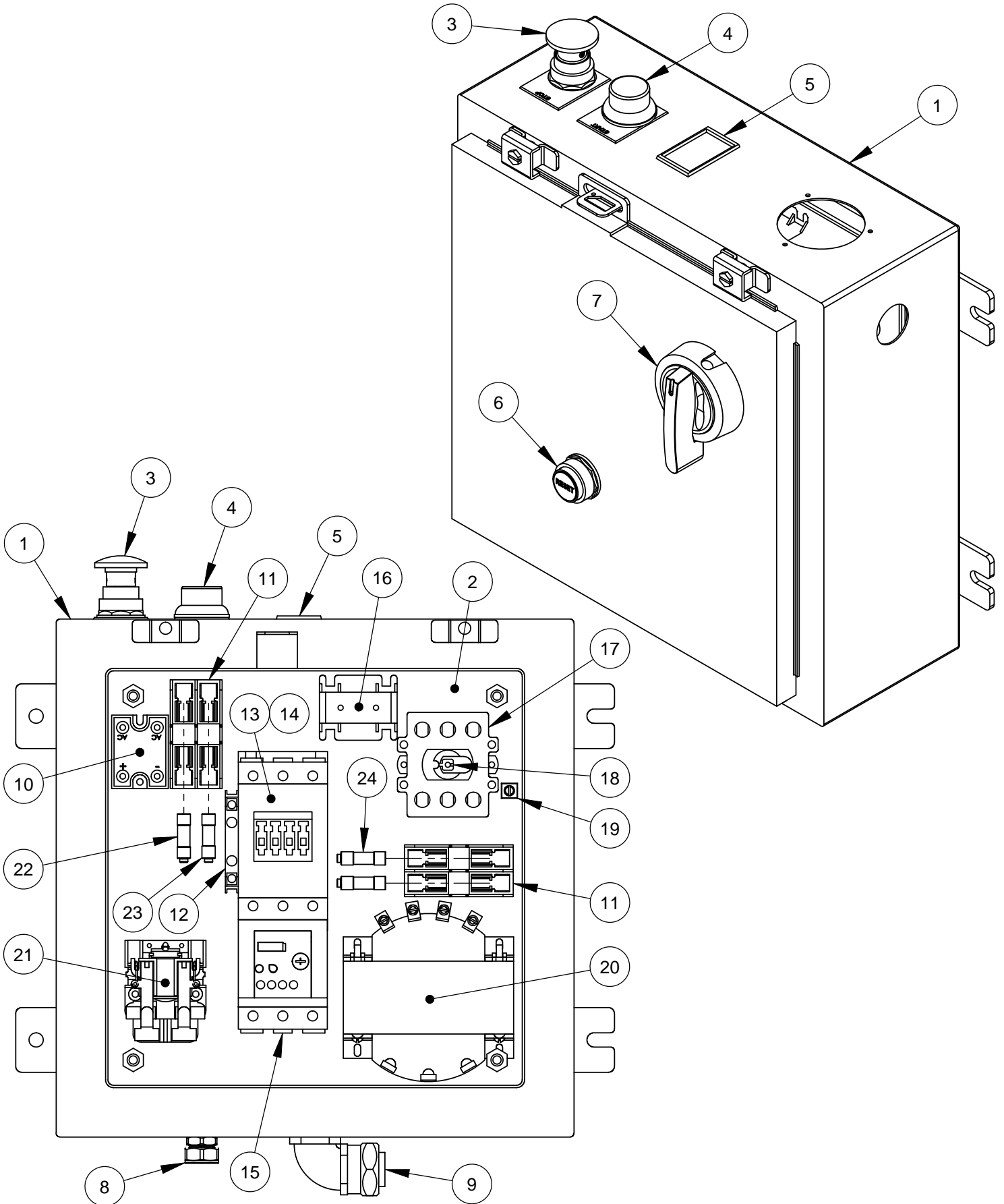
FOR 20HP MOTOR

ITEM	PART NO.	QTY.	DESCRIPTION
1	2800215	1	Starter Box Unit
2	2800216	1	Amp Meter 20HP
3	2500678	4	Vibration Isolator, 3/8-16
4	2900014	8	Flat Washer, 3/8" SAE
5	2900006	8	Lock Washer, 3/8" Split
6	2900033	8	Hex Nut, 3/8-16

FOR 30HP MOTOR

ITEM	PART NO.	QTY	DESCRIPTION
1	2800215	1	Starter Box Unit
2	2800203	1	Amp Meter 30HP
3	2500678	4	Vibration Isolator, 3/8-16
4	2900014	8	Flat Washer, 3/8" SAE
5	2900006	8	Lock Washer, 3/8" Split
6	2900033	8	Hex Nut, 3/8-16

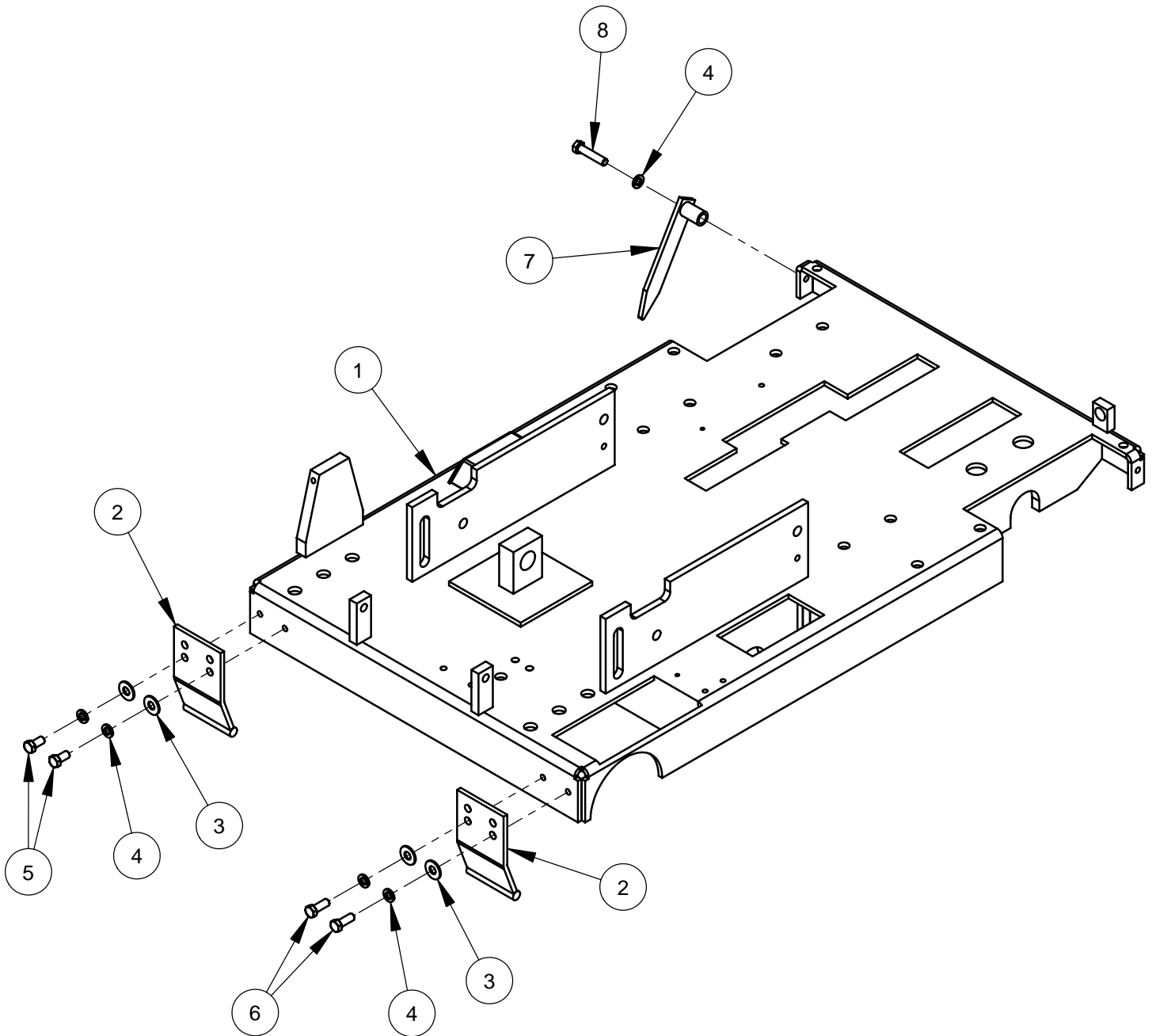
Starter Box Unit #2800215



Starter Box Unit #2800215

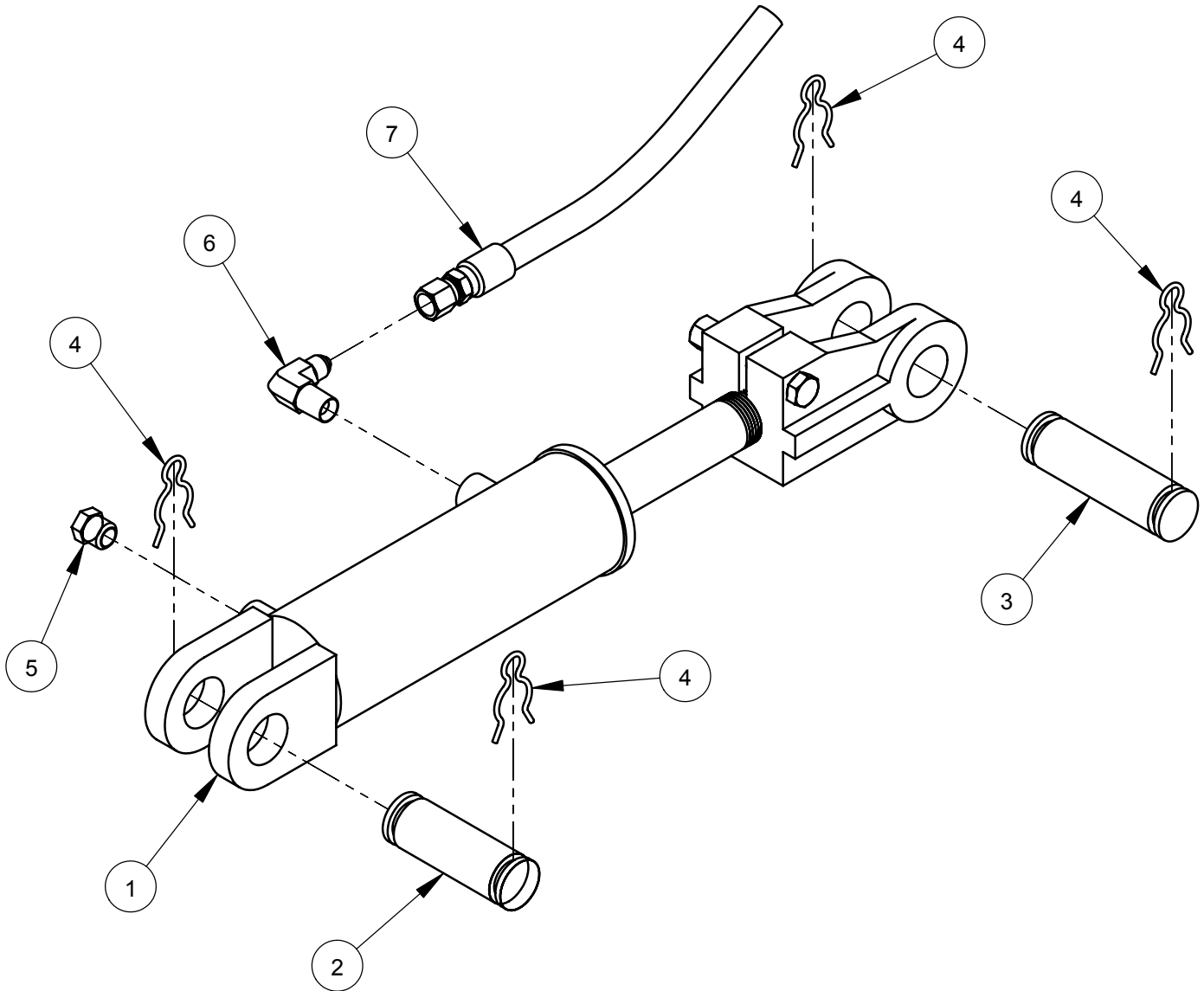
ITEM	PART NO.	QTY.	DESCRIPTION
1	2800240	1	Enclosure
2	2800249	1	Subpanel
3	6011329	1	Stop Button Assembly
	2800599	1	Stop Button Body & Cap
	2800200	1	Contact Block (N.C.)
	1800922	1	Stop Label
4	6011097	1	Start Button Assembly
	2701390	1	Start Button Body
	2701392	1	Contact Block (N.O.)
	2800317	1	Green Button Cap
	2800222	1	Clear Protective Boot
	1800923	1	Start Label
5	2800224	1	Battery Charge Ammeter
6	2800245	1	Reset Button
7	2707338	1	Disconnect Handle
8	2800552	1	Connector, 1/2" Cord
9	2800312	2	Connector, 1" Sealtite Elbow
10	2701274	1	Rectifier Bridge
11	2800299	2	Fuse Holder, 30A-600V Dual
12	2800400	1	Auxiliary Contact (N.O.)
13	2800401	1	Motor Contactor, Siemens
14	2800402	1	Coil, 24V-AC
15	2800403	1	Overload Relay, 25-100A
16	2800248	1	Current Transformer
17	2707339	1	Disconnect Block
18	2707337	1	Disconnect Shaft
19	2800315	1	Grounding Lug
20	2701299	1	Transformer, 500VA
21	2701295	1	Power Relay, 12V-DC
22	2701066	1	Fuse, ATQR 10A
23	2701307	1	Fuse, ATMR 25A
24	2701273	2	Fuse, ATQR 4A

Frame Base Assembly #6011422



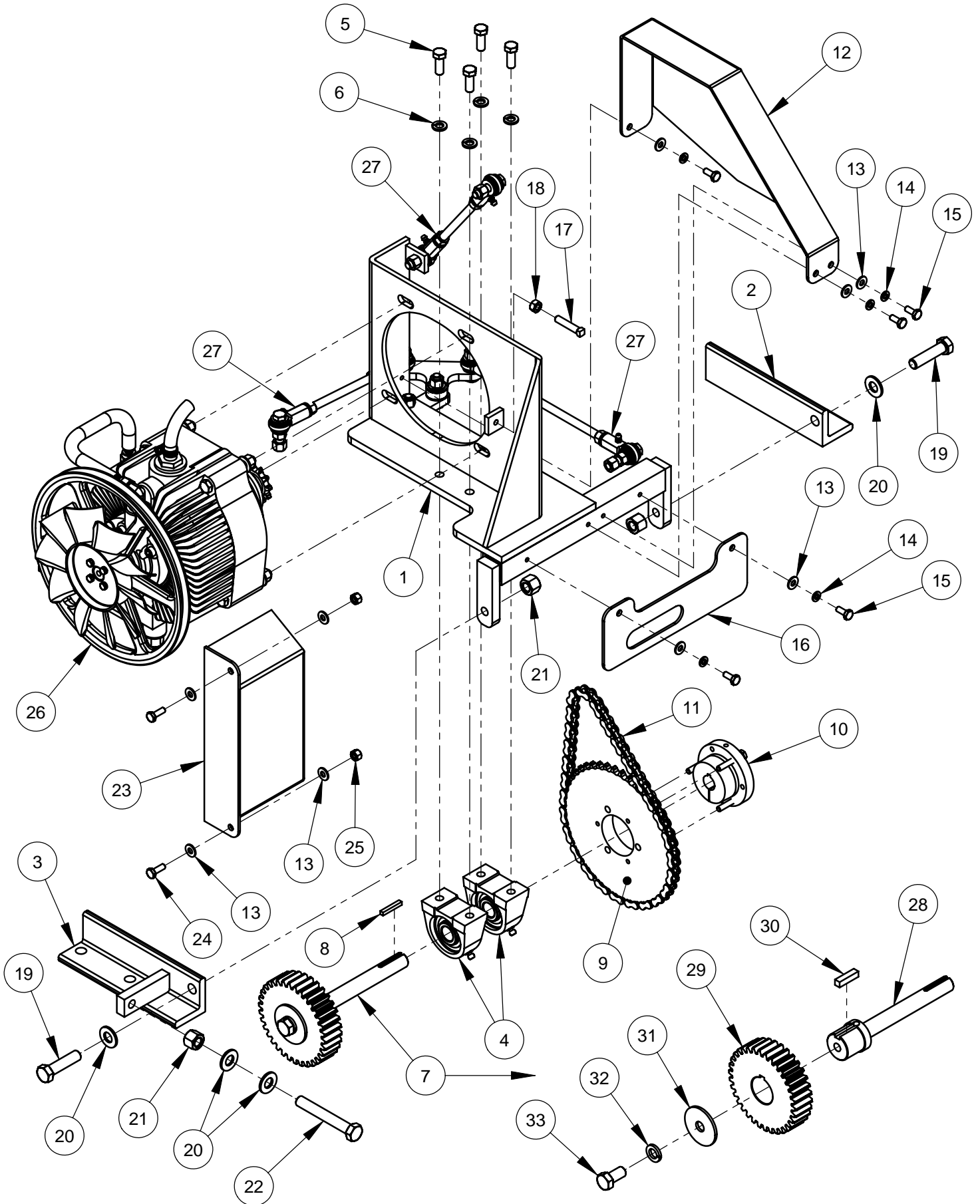
ITEM	PART NO.	QTY.	DESCRIPTION
1	6011400A	1	Frame Base
2	6011021	2	Skid Plate
3	2900473	4	Flat Washer, 3/8" USS
4	2900006	5	Lock Washer, 3/8" Split
5	2900196	2	Cap Screw, Hex Hd., 3/8-16 x 3/4"
6	2900005	2	Cap Screw, Hex Hd., 3/8-16 x 1"
7	6010022	1	Rear Pointer
8	2900047	1	Cap Screw, Hex Hd., 3/8-16 x 1-3/4"

Hydraulic Cylinder Assembly #6010714



ITEM	PART NO.	QTY.	DESCRIPTION
1	2500177	1	Hydraulic Cylinder
2	6010031	1	Cylinder Pin, 3"
3	6010119	1	Cylinder Pin, 3-1/2"
4	2900064	4	Hair Pin Cotter, 3/4"
5	3200067	1	Cylinder Breather, 1/4" NPT
6	3200057	1	Elbow, 1/4" M. Pipe to 1/4" M. JIC
7	3200054	1	Hose Assembly, 32" Long

Rear Drive Assembly #6011423 (Eaton)

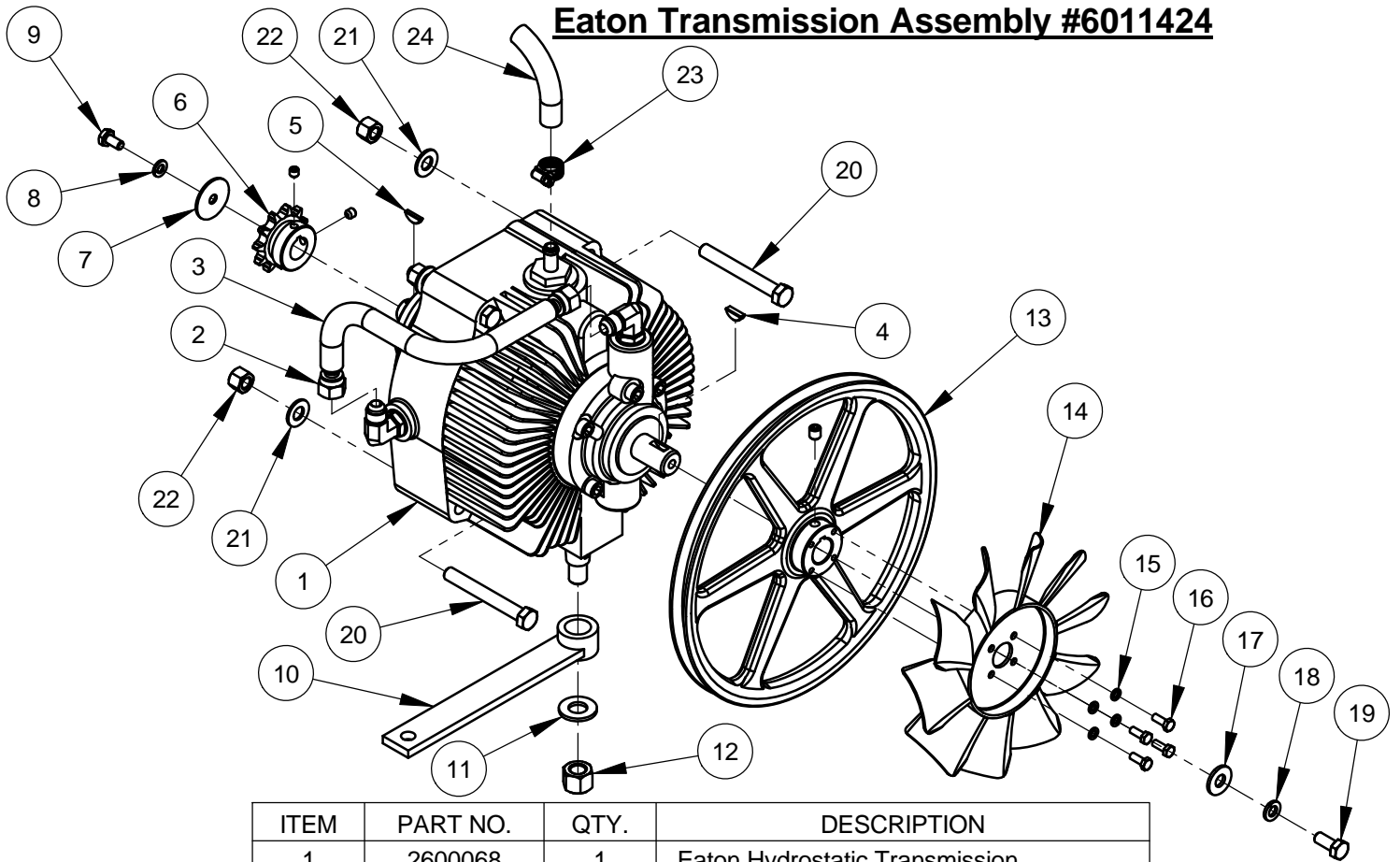


Rear Drive Assembly #6011423 (Eaton)

ITEM	PART NO.	QTY.	DESCRIPTION
1	6010068	1	Transmission Platform Weldment
2	6010027	1	Mount Foot, Right Hand
3	6011408	1	Mount Foot, Adjustable
4	2500159	2	Pillow Block Bearing, 3/4"
5	2900005	4	Cap Screw, Hex Hd., 3/8-16 x 1"
6	2900006	4	Lock Washer, 3/8" Split
7	6011442	1	Transmission Jackshaft Assembly
8	6048229	1	Key, 3/16" Sq. x 1-1/4"
9	2500148	1	Sprocket, #40 x 45 Tooth
10	2500149	1	QD Bushing, SDS x 3/4" w/Fasteners
11	6010069	1	Chain, #40 x 56 Pitch
12	6010671	1	Chain Guard
13	2900009	9	Flat Washer, 1/4" SAE
14	2900024	5	Lock Washer, 1/4" Split
15	2900023	5	Cap Screw, Hex Hd., 1/4-20 x 5/8"
16	6010679	1	Gear Guard
17	2900140	1	Set Screw, Sq. Hd., 5/16-18 x 1-1/2"
18	2900141	1	Hex Nut, 5/16-18
19	2900106	2	Cap Screw, Hex Hd., 1/2-13 x 2"
20	2900058	4	Flat Washer, 1/2" SAE
21	2900026	3	Lock Nut, 1/2-13 Nylon
22	2900542	1	Tap Bolt, Hex Hd., 1/2-13 x 3-1/2"
23	6011409	1	Fan Guard
24	2900144	2	Cap Screw, Hex Hd., 1/4-20 x 3/4"
25	2900010	2	Lock Nut, 1/4-20 Nylon
26	6011424	1	Eaton Transmission Assembly
27	6011425	1	Linkage Assembly

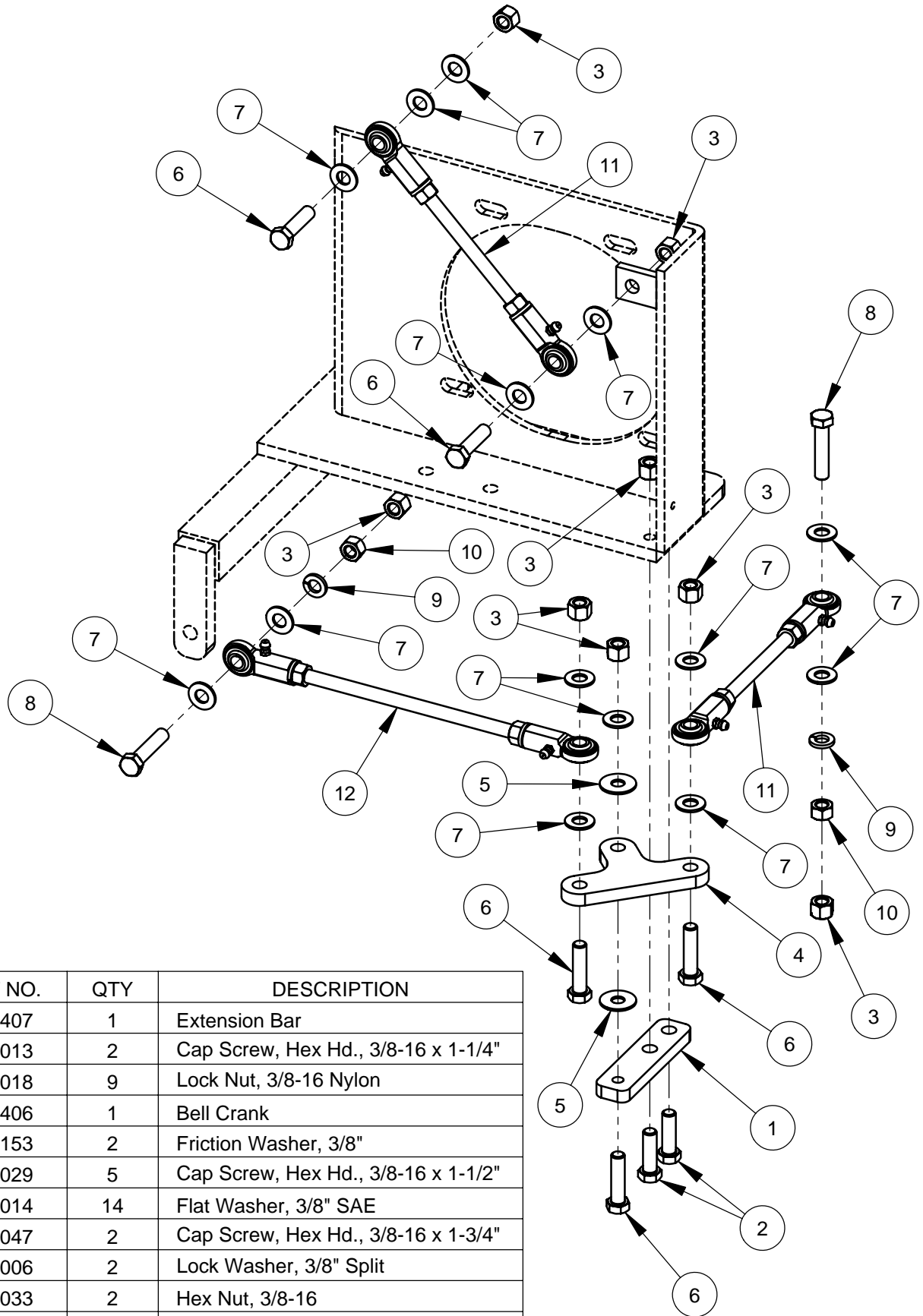
ITEM	PART NO.	QTY.	DESCRIPTION
28	6011443	1	Gear Jackshaft
29	6011444	1	Spur Gear, 34 Tooth
30	2502531	1	Key, 5/16" Sq. x 1-1/4"
31	2900854	1	Fender Washer, 1/2" x 2"
32	2900084	1	Lock Washer, 1/2" Split
33	2900086	1	Cap Screw, Hex Hd., 1/2-13 x 1"

Eaton Transmission Assembly #6011424



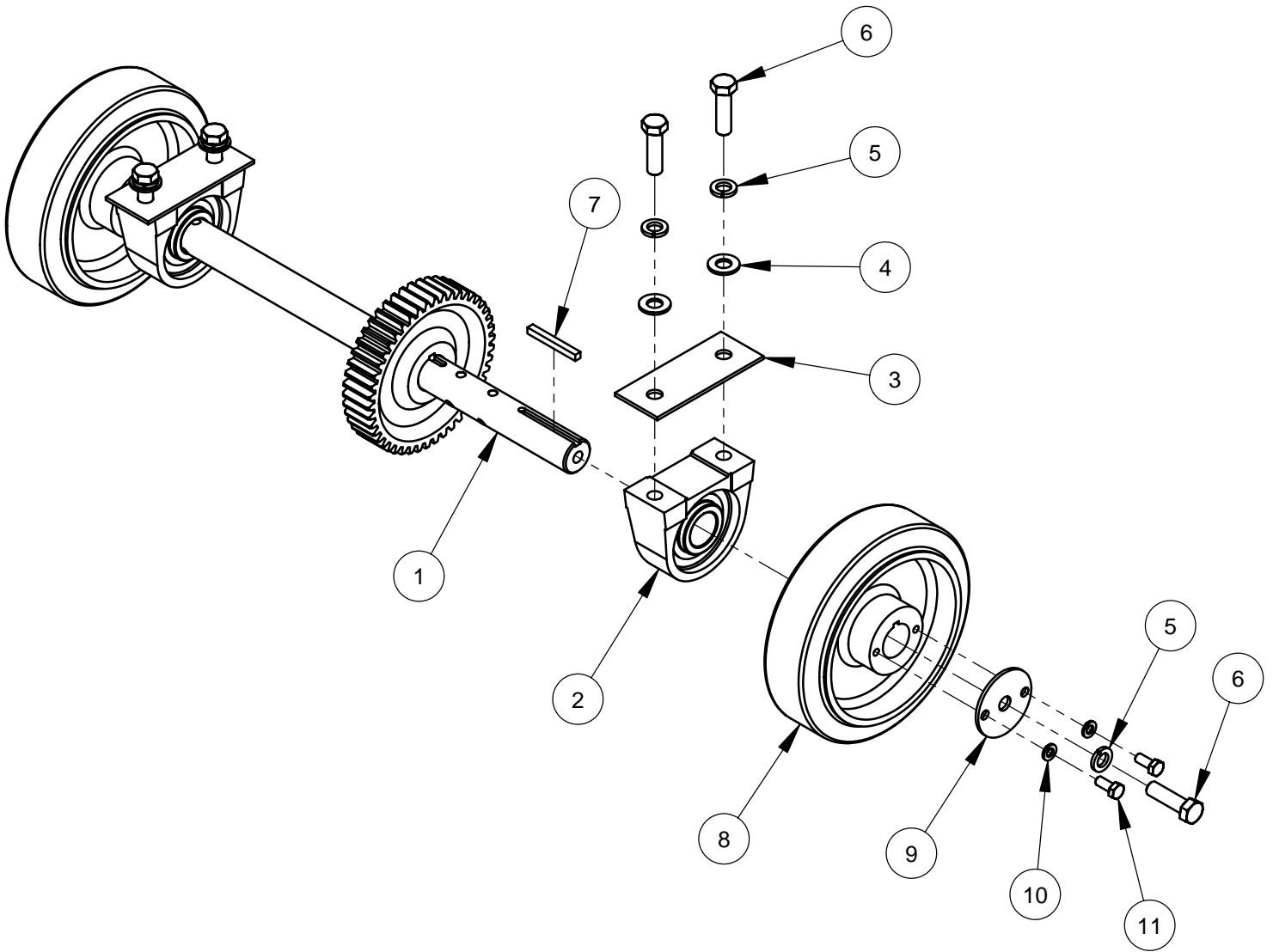
ITEM	PART NO.	QTY.	DESCRIPTION
1	2600068	1	Eaton Hydrostatic Transmission
2	3200046	2	Fitting, 3/8" F. JIC to 3/8" Push Lock
3	6010060	1	Oil Recirculation Hose, 3/8" I.D. x 9"
4	2900143	1	Woodruff Key #61, 3/16" x 5/8"
5	2900063	1	Woodruff Key #405, 1/8" x 5/8"
6	2500150	1	Sprocket, #40 x 11 Tooth w/Setscrews
7	2900083	1	Fender Washer, 1/4" x 1-1/4"
8	2900024	1	Lock Washer, 1/4" Split
9	2900082	1	Cap Screw, Hex Hd., 1/4-20 x 1/2"
10	6010064	1	Shift Lever
11	2900058	1	Flat Washer, 1/2" SAE
12	2900026	1	Lock Nut, 1/2-13 Nylon
13	6011411	1	Transmission Pulley 10" w/Setscrew
14	2500519	1	Cooling Fan, 7"
15	2900038	4	Lock Washer, #10 Split
16	2900448	4	Machine Screw, Hex Hd., #10-32 x 1/2"
17	2900567	1	Flat Washer, 5/16" USS
18	2900031	1	Lock Washer, 5/16" Split
19	2900019	1	Cap Screw, Hex Hd., 5/16-18 x 3/4"
20	2900035	4	Cap Screw, Hex Hd., 3/8-16 x 3"
21	2900014	4	Flat Washer, 3/8" SAE
22	2900018	4	Lock Nut, 3/8-16 Nylon
23	3200062	1	Hose Clamp #4
24	6010059	1	Clear Hose, 3/8" I.D. x 19"

Linkage Assembly #6011425



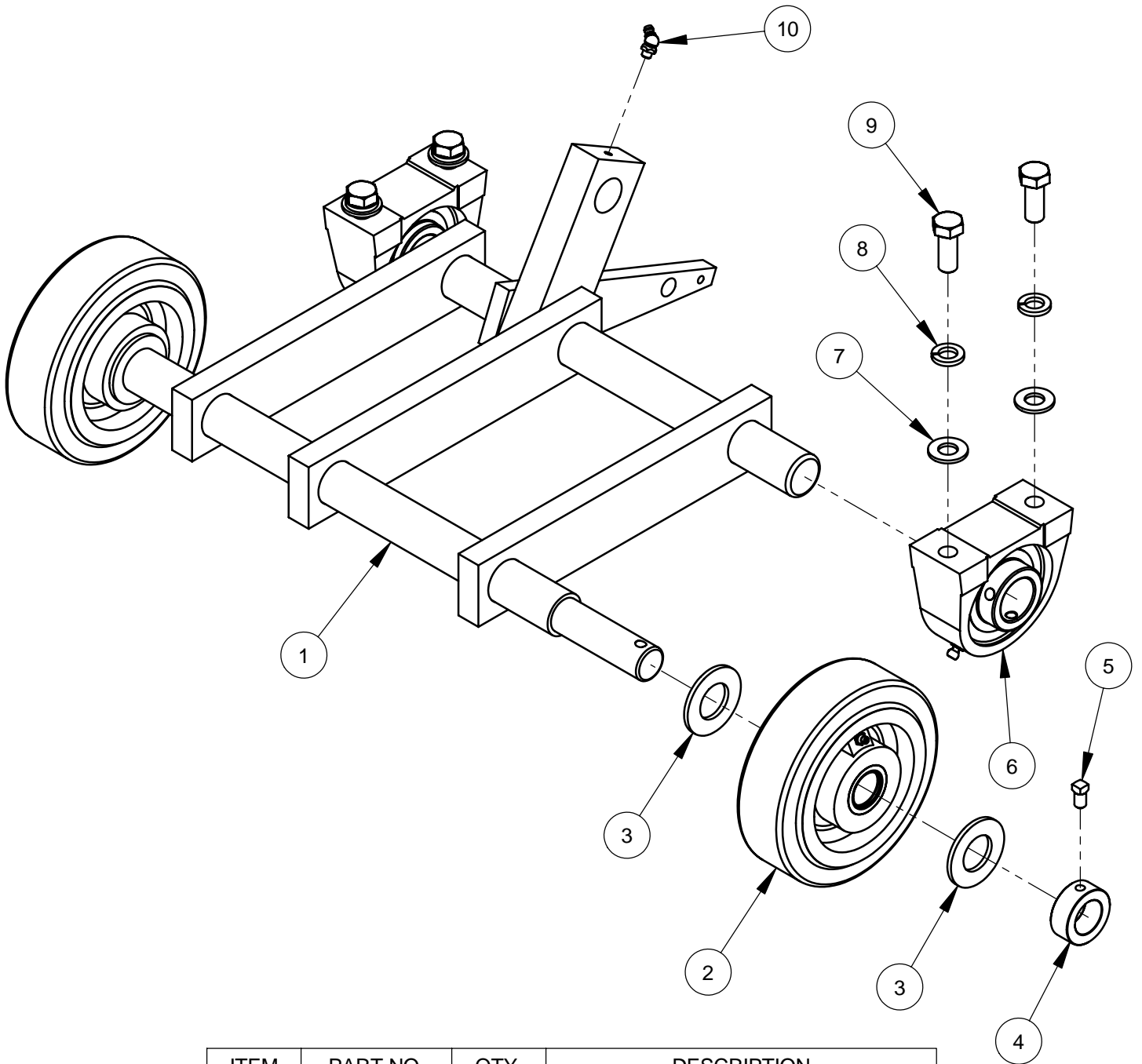
ITEM	PART NO.	QTY	DESCRIPTION
1	6011407	1	Extension Bar
2	2900013	2	Cap Screw, Hex Hd., 3/8-16 x 1-1/4"
3	2900018	9	Lock Nut, 3/8-16 Nylon
4	6011406	1	Bell Crank
5	2900153	2	Friction Washer, 3/8"
6	2900029	5	Cap Screw, Hex Hd., 3/8-16 x 1-1/2"
7	2900014	14	Flat Washer, 3/8" SAE
8	2900047	2	Cap Screw, Hex Hd., 3/8-16 x 1-3/4"
9	2900006	2	Lock Washer, 3/8" Split
10	2900033	2	Hex Nut, 3/8-16
11	6011412	2	Linkage Assembly 7-3/4"
12	6012095	1	Linkage Assembly 10-1/2"

Rear Axle Assembly #6011402 (Eaton / Gear)



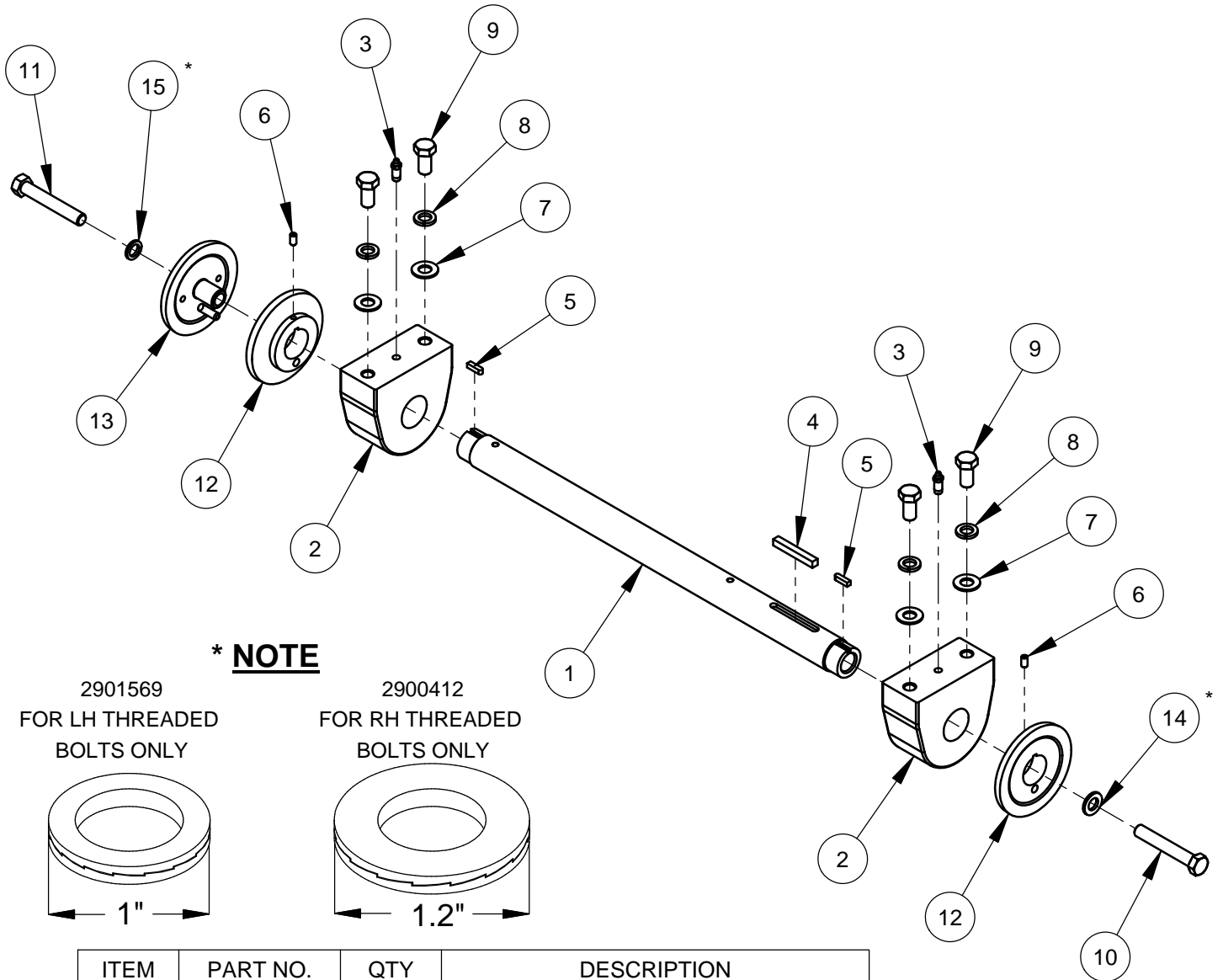
ITEM	PART NO.	QTY.	DESCRIPTION
1	6011403	1	Rear Axle Weldment w/46 Tooth Gear
2	2500158	2	Pillow Block Bearing 1-1/4"
3	6010024	2	Rear Axle Bearing Spacer, 1/8"
4	2900058	4	Flat Washer, 1/2" SAE
5	2900084	6	Lock Washer, 1/2" Split
6	2900139	6	Cap Screw, Hex Hd., 1/2-13 x 1-3/4"
7	6048134	2	Key, 1/4" Sq. x 2-1/4"
8	6011019	2	Wheel, 8" Rear
9	6010026	2	Wheel Mount Washer
10	2900031	4	Lock Washer, 5/16" Split
11	2900019	4	Cap Screw, Hex Hd., 5/16-18 x 3/4"

Front Axle Assembly #6011070



ITEM	PART NO.	QTY.	DESCRIPTION
1	6011003	1	Front Axle Weldment
2	2500299	2	Wheel, 6" Front
3	2900295	4	Flat Washer, 1" SAE
4	2500009	2	Set Collar, 1" ID
5	2900431	2	Set Screw, Sq. Hd., 5/16-18 x 1/2"
6	2500158	2	Pillow Block Bearing 1-1/4"
7	2900058	4	Flat Washer, 1/2" SAE
8	2900084	4	Lock Washer, 1/2" Split
9	2900025	4	Cap Screw, Hex Hd., 1/2-13 x 1-1/4"
10	2900184	1	Grease Fitting, 1/4" NPT x 45 degree

Blade Shaft Assembly #601197

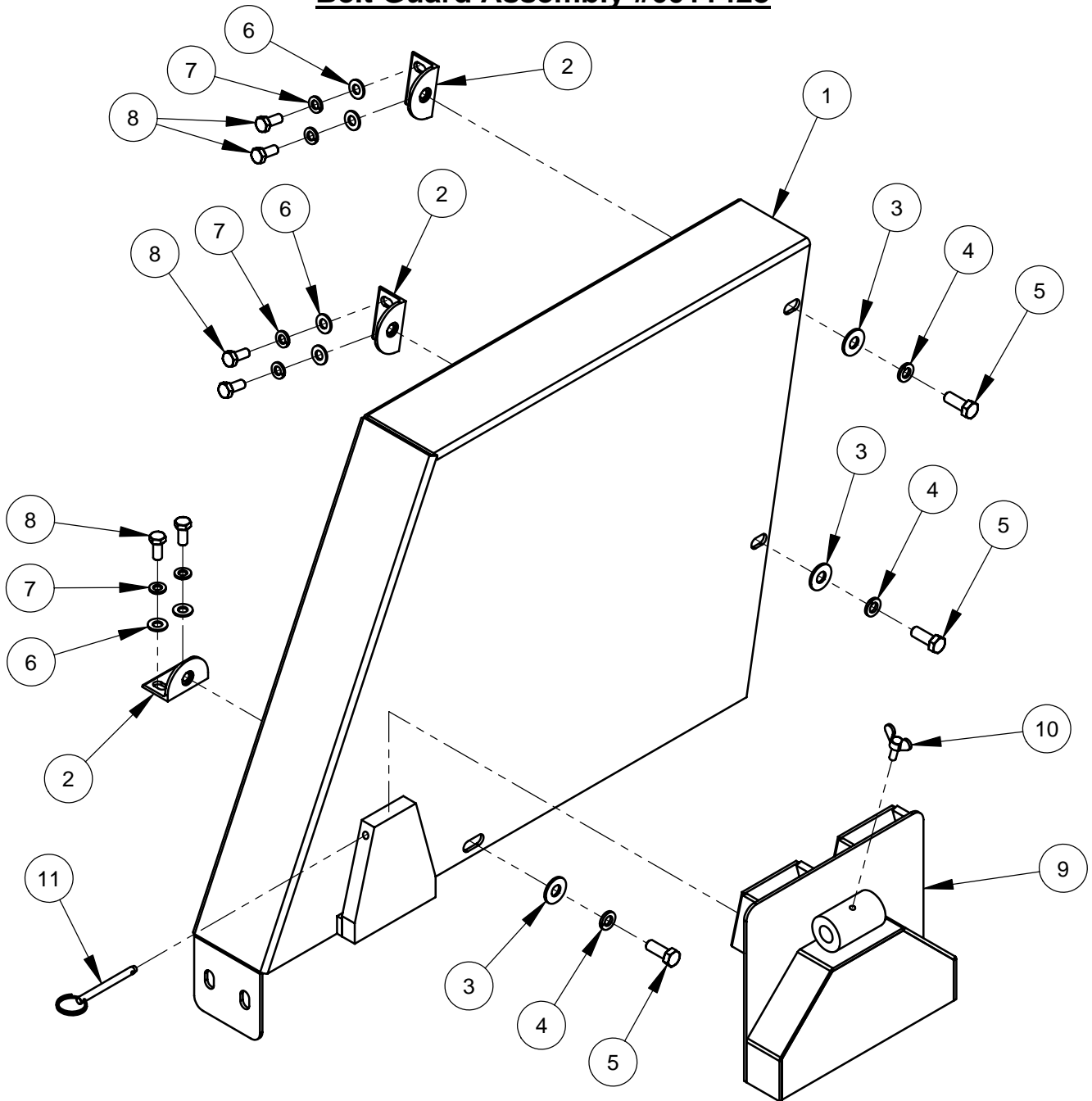


ITEM	PART NO.	QTY	DESCRIPTION
1	6011002	1	Blade Shaft
2	2500151	2	Blade Shaft Bearing, 1-3/4"
3	2900198	2	Grease Fitting, 1/8" NPT x 1-1/4"
4	6011058	1	Key, 3/8" Sq. x 2-3/4"
5	6010040	2	Key, 1/4" Sq. x 15/16"
6	2900418	2	Set Screw, Soc. Hd., 5/16-18 x 5/8"
7	2900002	4	Flat Washer, 5/8" SAE
8	2900113	4	Lock Washer, 5/8" Split
9	2900512	4	Cap Screw, Hex Hd., 5/8-11 x 1-1/4"
10	2900146	1	Cap Screw, Hex Hd., 5/8-11 x 4"
11	2900130	1	Cap Screw, Hex Hd., 5/8-11 x 4" LH
12	6010255	2	Inner Flange 5"
13	6047907	1	Outer Flange 5" with Pin
	2900197	1	Dowel Pin, 3/8" Dia. x 2"
14	2900412	1	Lock Washer, Wedge 5/8"
15	2901569	1	Lock Washer, Wedge 5/8" LH

* See Note

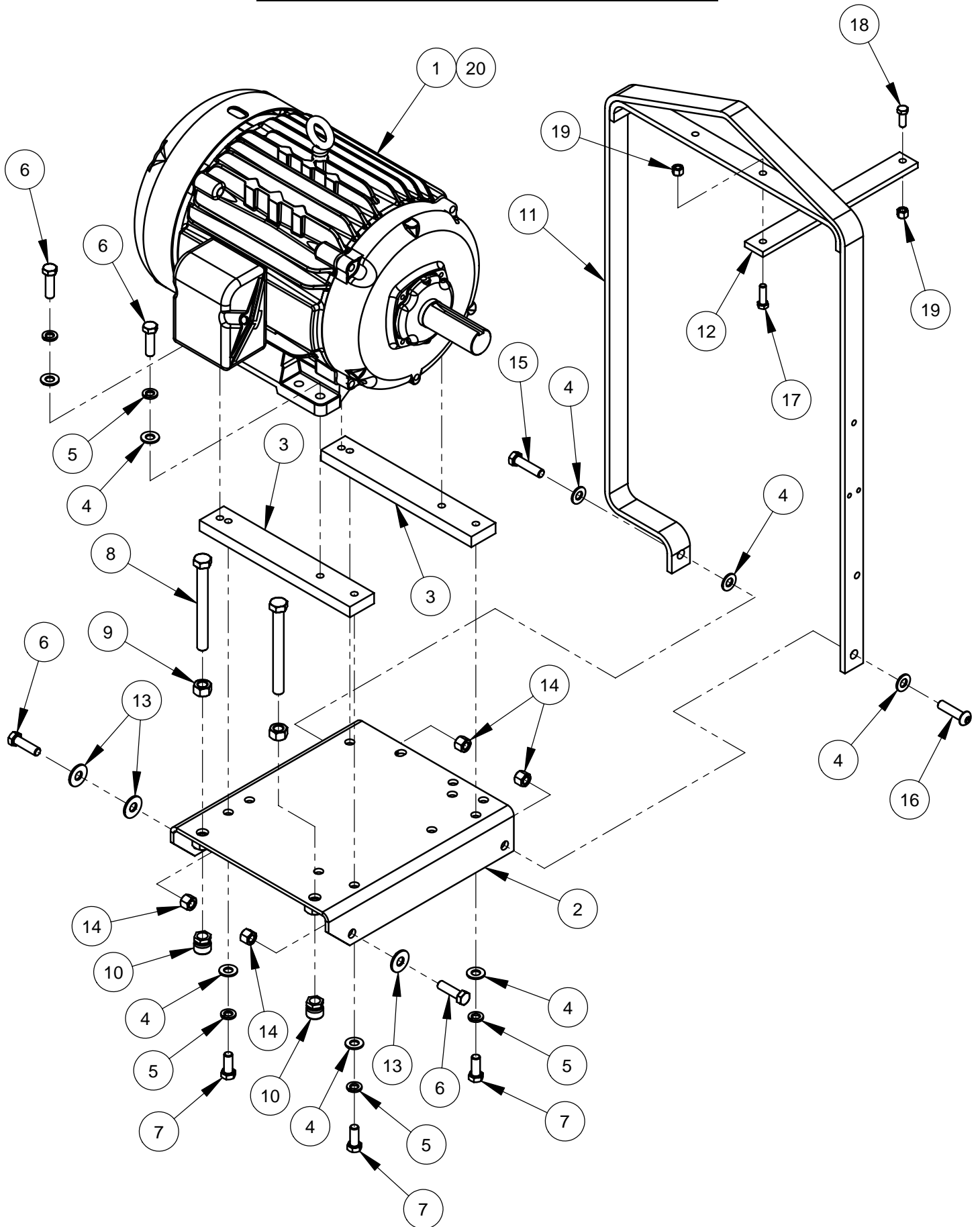
* See Note

Belt Guard Assembly #6011428



ITEM	PART NO.	QTY	DESCRIPTION
1	6011013A	1	Belt Guard Weldment
2	6010558	3	Guard Mounting Tab, 3/8-16
3	2900473	3	Flat Washer, 3/8" USS
4	2900006	3	Lock Washer, 3/8" Split
5	2900005	3	Cap Screw, Hex Hd., 3/8-16 x 1"
6	2900022	6	Flat Washer, 5/16" SAE
7	2900031	6	Lock Washer, 5/16" Split
8	2900019	6	Cap Screw, Hex Hd., 5/16-18 x 3/4"
9	6010555	1	Shaft/Flange Guard (Narrow)
10	2900307	1	Wing Screw, M6 x 16mm
11	2900156	1	Lock Pin with Ring

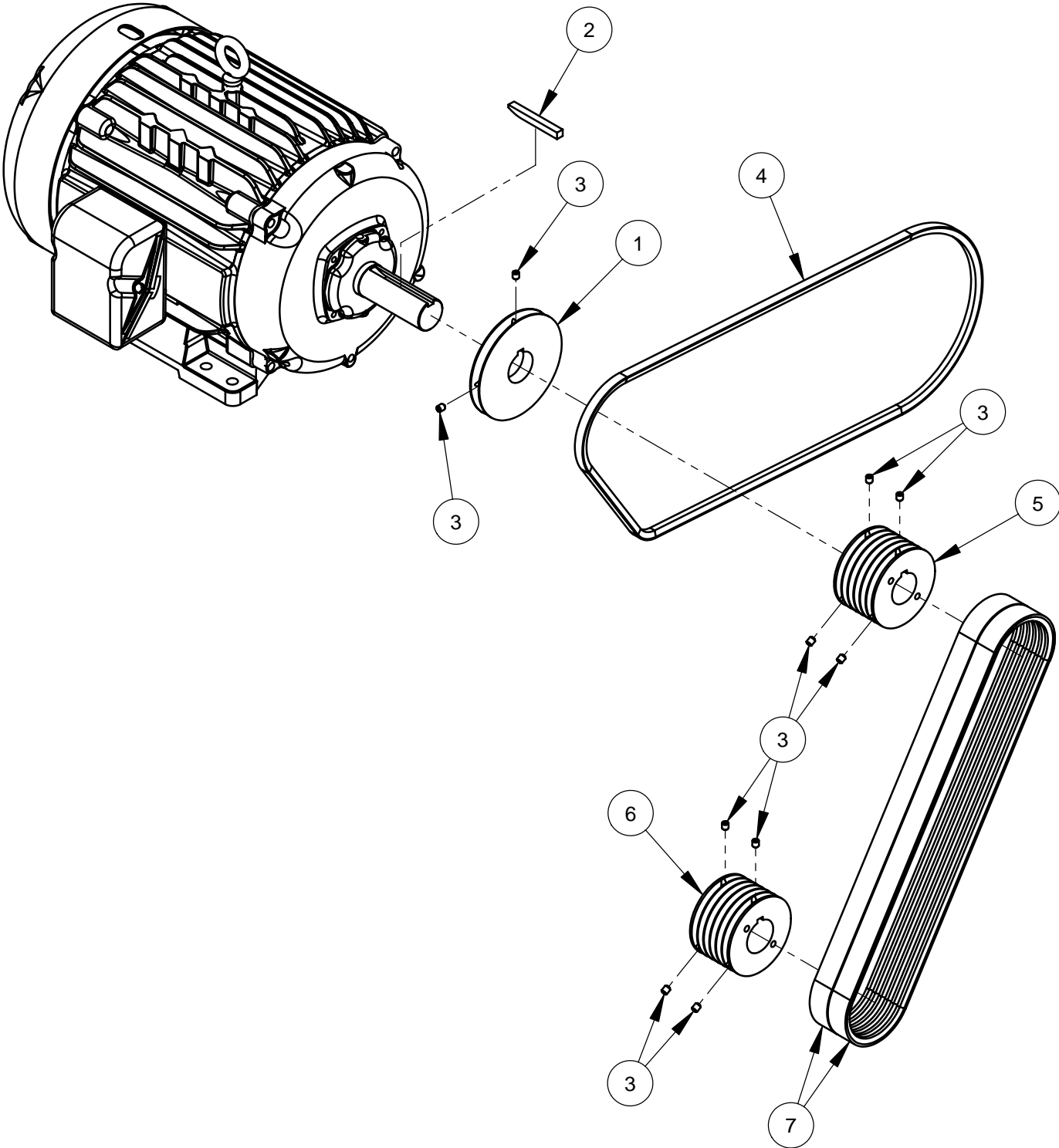
20hp Motor Mount Assembly #6011431



20hp Motor Mount Assembly #6011431

ITEM	PART NO.	QTY.	DESCRIPTION
1	2600118	1	Motor, 20hp Baldor
2	6011005	1	Engine Base Weldment
3	6011045	2	Motor Spacer
4	2900058	11	Flat Washer, 1/2" SAE
5	2900084	8	Lock Washer, 1/2" Split
6	2900139	6	Cap Screw, Hex Hd., 1/2-13 x 1-3/4"
7	2900025	4	Cap Screw, Hex Hd., 1/2-13 x 1-1/4"
8	2900104	2	Tap Bolt, Hex Hd., 5/8-11 x 6"
9	2900112	2	Hex Nut, 5/8-11
10	2900446	2	Swivel Pad Nut, 5/8-11
11	6011022	1	Frame Lift
12	6010013	1	Frame Lift Brace
13	2900127	3	Flat Washer, 1/2" USS
14	2900026	4	Lock Nut, 1/2-13 Nylon
15	2900106	1	Cap Screw, Hex Hd., 1/2-13 x 2"
16	2900288	1	Cap Screw, Button Hd., 1/2-13 x 2"
17	2900013	1	Cap Screw, Hex Hd., 3/8-16 x 1-1/4"
18	2900005	1	Cap Screw, Hex Hd., 3/8-16 x 1"
19	2900018	2	Lock Nut, 3/8-16 Nylon
20	2600443	1	Motor, 20hp Baldor (575 Volt)

20hp Belt Drive Assembly #6011435



20hp Belt Drive Assembly #6011435

14" BLADE DRIVE			
ITEM	PART NO.	QTY	DESCRIPTION
1	6011066	1	Pulley, Accessory Drive
2	6011027	1	Key, 3/8" Sq. x 3-1/4" Bevel End
3	2900142	6	Set Screw, Soc. Hd., 5/16-18 x 3/8"
4	6011437	1	Link Belt
5	6011091	1	Sheave, 5.3" x 6 Groove w/Bushing
	2500369	1	Sheave, 5.3" x 6 Groove Taper Style
	2500368	1	Taper Bushing, 1-5/8" w/Setscrews
6	6012005	1	Sheave, 3.12" x 6 Groove x 1-3/4" Bore
7	2500595	2	Banded Belt, 3/3VX475 - 3 Strand

20" BLADE DRIVE			
ITEM	PART NO.	QTY	DESCRIPTION
1	6011066	1	Pulley, Accessory Drive
2	6011027	1	Key, 3/8" Sq. x 3-1/4" Bevel End
3	2900142	6	Set Screw, Soc. Hd., 5/16-18 x 3/8"
4	6011437	1	Link Belt
5	6011092	1	Sheave, 4.75" x 6 Groove w/Bushing
	2500367	1	Sheave, 4.75" x 6 Groove Taper Style
	2500368	1	Taper Bushing, 1-5/8" w/Setscrews
6	6011009	1	Sheave, 3.65" x 6 Groove x 1-3/4" Bore
7	2500595	2	Banded Belt, 3/3VX475 - 3 Strand

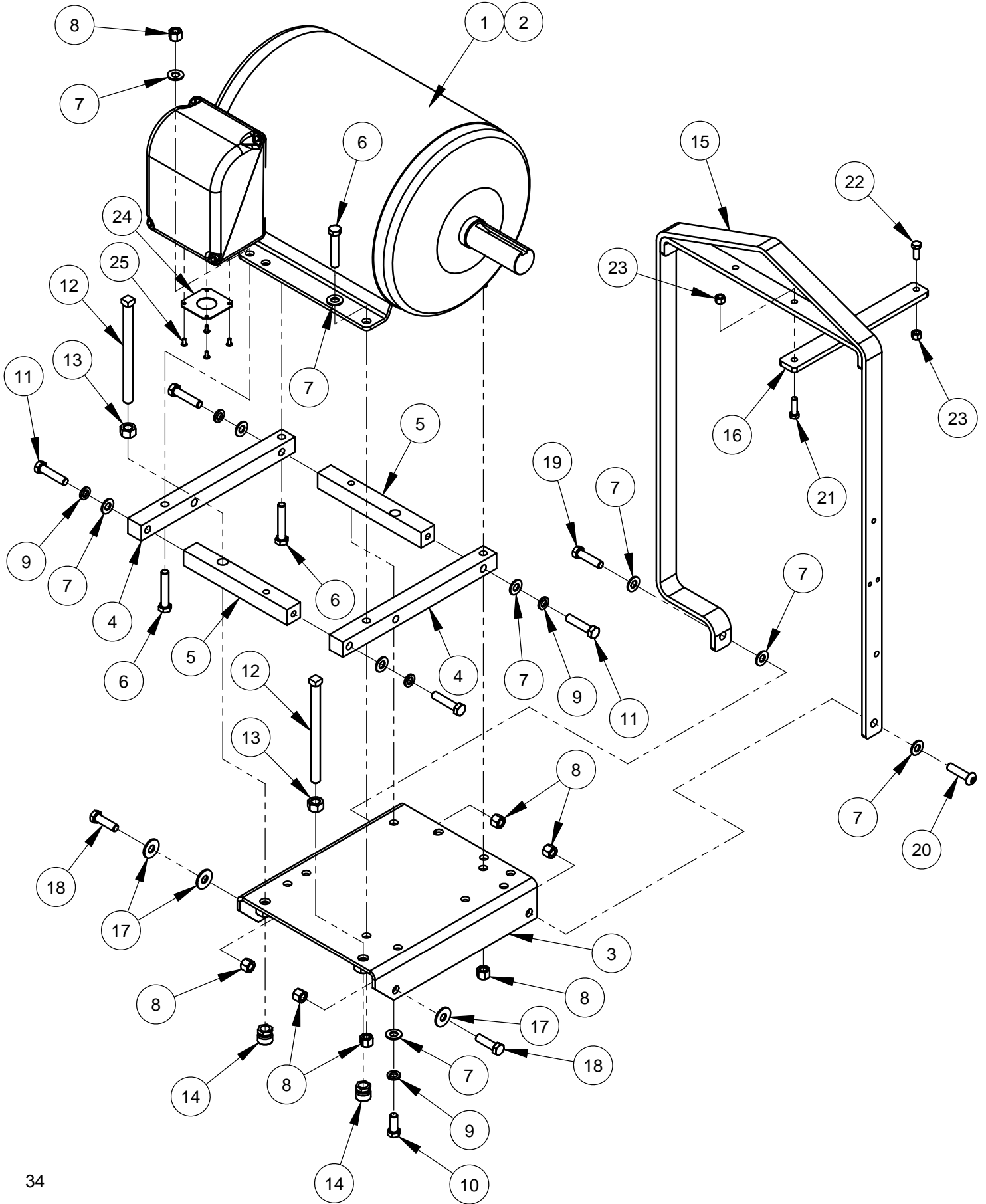
26" BLADE DRIVE			
ITEM	PART NO.	QTY	DESCRIPTION
1	6011066	1	Pulley, Accessory Drive
2	6011027	1	Key, 3/8" Sq. x 3-1/4" Bevel End
3	2900142	10	Set Screw, Soc. Hd., 5/16-18 x 3/8"
4	6011437	1	Link Belt
5	6011036	1	Sheave, 4.12" x 6 Groove x 1-5/8" Bore
6	6011010	1	Sheave, 4.12" x 6 Groove x 1-3/4" Bore
7	2500595	2	Banded Belt, 3/3VX475 - 3 Strand

30" BLADE DRIVE			
ITEM	PART NO.	QTY	DESCRIPTION
1	6011066	1	Pulley, Accessory Drive
2	6011027	1	Key, 3/8" Sq. x 3-1/4" Bevel End
3	2900142	6	Set Screw, Soc. Hd., 5/16-18 x 3/8"
4	6011437	1	Link Belt
5	6011036	1	Sheave, 4.12" x 6 Groove x 1-5/8" Bore
6	6012052	1	Sheave, 4.75" x 6 Groove w/Bushing
	2500367	1	Sheave, 4.75" x 6 Groove Taper Style
	2500454	1	Taper Bushing, 1-3/4" w/Setscrews
7	2500595	2	Banded Belt, 3/3VX475 - 3 Strand

30hp Motor Mount Assembly

Lincoln Motor 460V #6011432A

Leeson Motor 575V #6011432B



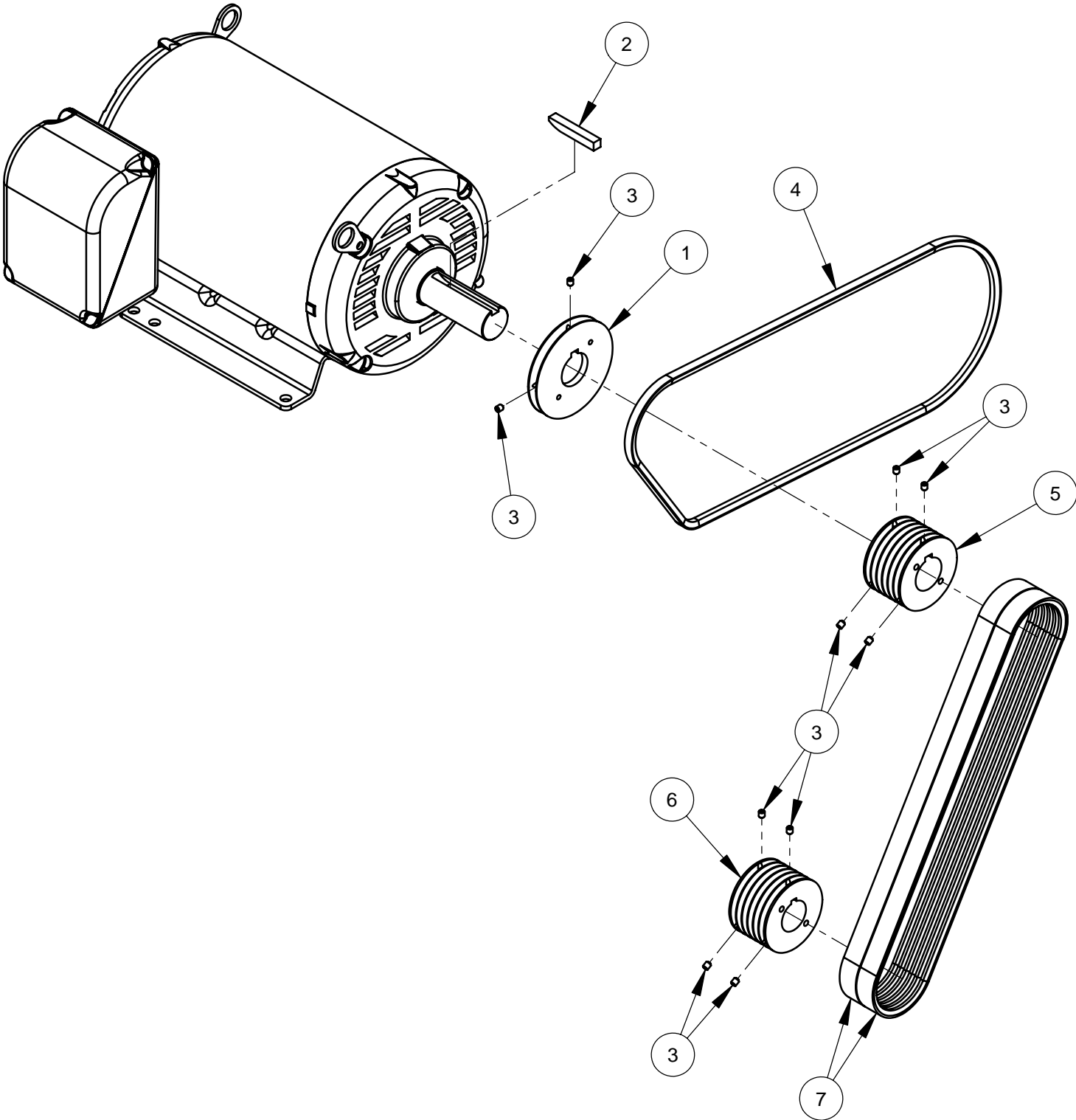
30hp Motor Mount Assembly

Lincoln Motor 460V #6011432A

Leeson Motor 575V #6011432B

ITEM	PART NO.	QTY.	DESCRIPTION
1	2600182	1	Motor, 30hp Lincoln
2	2601032	1	Motor, 30hp Leeson
3	6011005	1	Engine Base Weldment
4	6011081	2	Motor Spacer
5	6011082	2	Motor Connect Spacer
6	2900105	4	Cap Screw, Hex Hd., 1/2-13 x 2-3/4"
7	2900058	12	Flat Washer, 1/2" SAE
8	2900026	8	Lock Nut, 1/2-13 Nylon
9	2900084	5	Lock Washer, 1/2" Split
10	2900025	1	Cap Screw, Hex Hd., 1/2-13 x 1-1/4"
11	2900192	4	Cap Screw, Hex Hd., 1/2-13 x 2-1/4"
12	2900385	2	Set Screw, Sq. Hd., 5/8-11 x 8"
13	2900112	2	Hex Nut, 5/8-11
14	2900446	2	Swivel Pad Nut, 5/8-11
15	6011022	1	Frame Lift
16	6010013	1	Frame Lift Brace
17	2900127	3	Flat Washer, 1/2" USS
18	2900139	2	Cap Screw, Hex Hd., 1/2-13 x 1-3/4"
19	2900106	1	Cap Screw, Hex Hd., 1/2-13 x 2"
20	2900288	1	Cap Screw, Button Hd., 1/2-13 x 2"
21	2900013	1	Cap Screw, Hex Hd., 3/8-16 x 1-1/4"
22	2900005	1	Cap Screw, Hex Hd., 3/8-16 x 1"
23	2900018	2	Locknut, 3/8-16, Nylon
24	2500676	1	Motor Cord Adapter Plate
25	2900201	4	Rivet, 3/16" Dia.

30hp Belt Drive Assembly #6011436



30hp Belt Drive Assembly #6011436

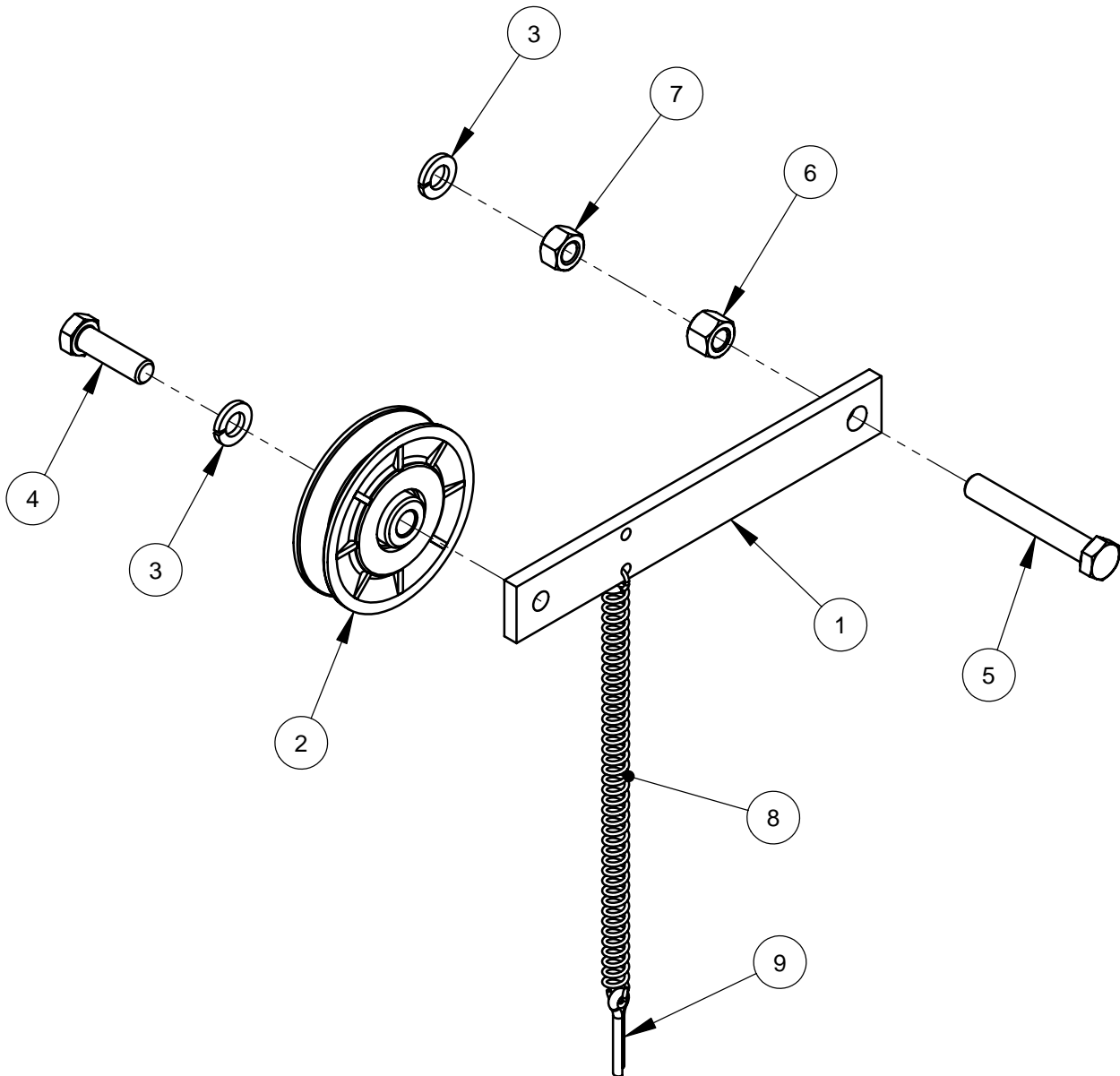
14" BLADE DRIVE			
ITEM	PART NO.	QTY	DESCRIPTION
1	6012019	1	Pulley, Accessory Drive
2	6011095	1	Key, 1/2" Sq. x 3-1/4" Bevel End
3	2900142	6	Set Screw, Soc. Hd., 5/16-18 x 3/8"
4	6011437	1	Link Belt
5	6011093	1	Sheave, 5.3" x 6 Groove w/Bushing
	2500369	1	Sheave, 5.3" x 6 Groove Taper Style
	2500392	1	Taper Bushing, 1-7/8" w/Setscrews
6	6012005	1	Sheave, 3.12" x 6 Groove x 1-3/4" Bore
7	2500511	2	Banded Belt, 3/3VX500 - 3 Strand

20" BLADE DRIVE			
ITEM	PART NO.	QTY	DESCRIPTION
1	6012019	1	Pulley, Accessory Drive
2	6011095	1	Key, 1/2" Sq. x 3-1/4" Bevel End
3	2900142	6	Set Screw, Soc. Hd., 5/16-18 x 3/8"
4	6011437	1	Link Belt
5	6011094	1	Sheave, 4.75" x 6 Groove w/Bushing
	2500367	1	Sheave, 4.75" x 6 Groove Taper Style
	2500392	1	Taper Bushing, 1-7/8" w/Setscrews
6	6011009	1	Sheave, 3.65" x 6 Groove x 1-3/4" Bore
7	2500511	2	Banded Belt, 3/3VX500 - 3 Strand

26" BLADE DRIVE			
ITEM	PART NO.	QTY	DESCRIPTION
1	6012019	1	Pulley, Accessory Drive
2	6011095	1	Key, 1/2" Sq. x 3-1/4" Bevel End
3	2900142	10	Set Screw, Soc. Hd., 5/16-18 x 3/8"
4	6011437	1	Link Belt
5	6012024	1	Sheave, 4.12" x 6 Groove x 1-7/8" Bore
6	6011010	1	Sheave, 4.12" x 6 Groove x 1-3/4" Bore
7	2500511	2	Banded Belt, 3/3VX500 - 3 Strand

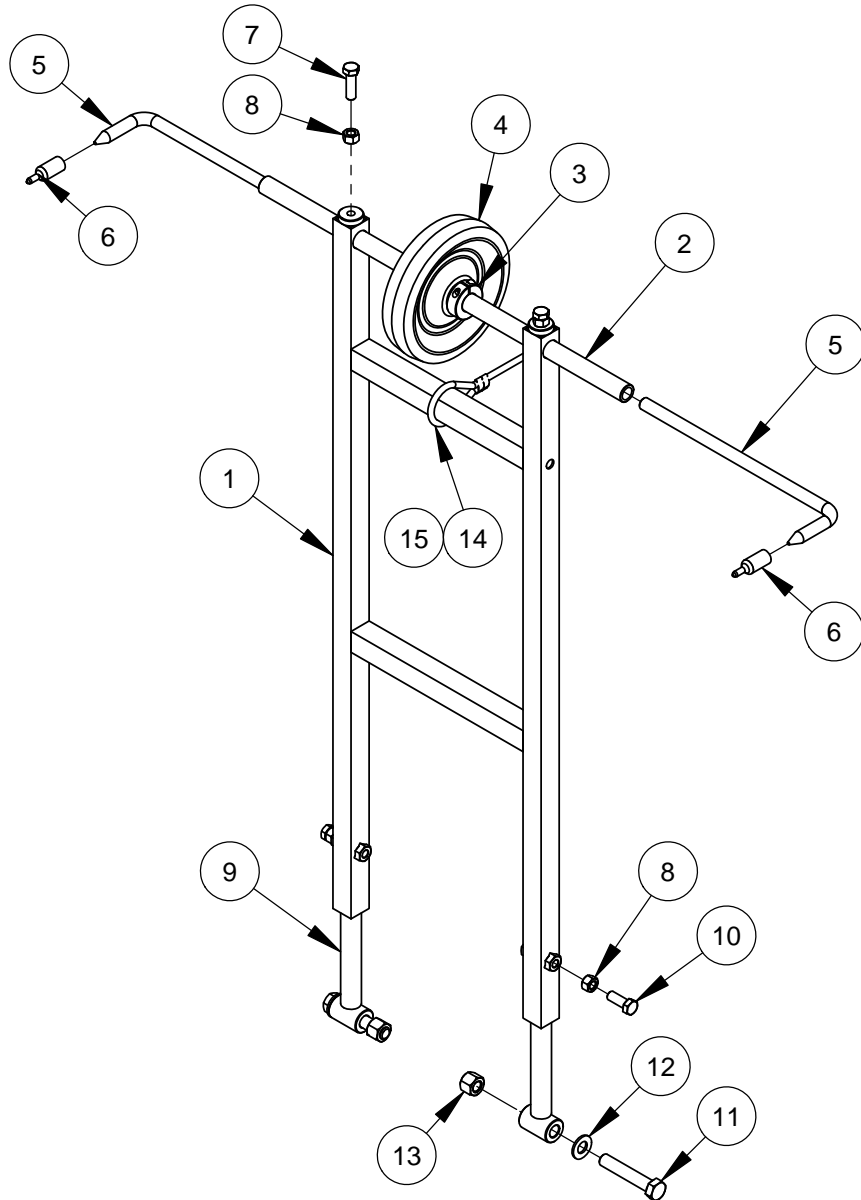
30" BLADE DRIVE			
ITEM	PART NO.	QTY	DESCRIPTION
1	6012019	1	Pulley, Accessory Drive
2	6011095	1	Key, 1/2" Sq. x 3-1/4" Bevel End
3	2900142	6	Set Screw, Soc. Hd., 5/16-18 x 3/8"
4	6011437	1	Link Belt
5	6012024	1	Sheave, 4.12" x 6 Groove x 1-7/8" Bore
6	6012052	1	Sheave, 4.75" x 6 Groove w/Bushing
	2500367	1	Sheave, 4.75" x 6 Groove Taper Style
	2500454	1	Taper Bushing, 1-3/4" w/Setscrews
7	2500511	2	Banded Belt, 3/3VX500 - 3 Strand

Idler Assembly #6010194



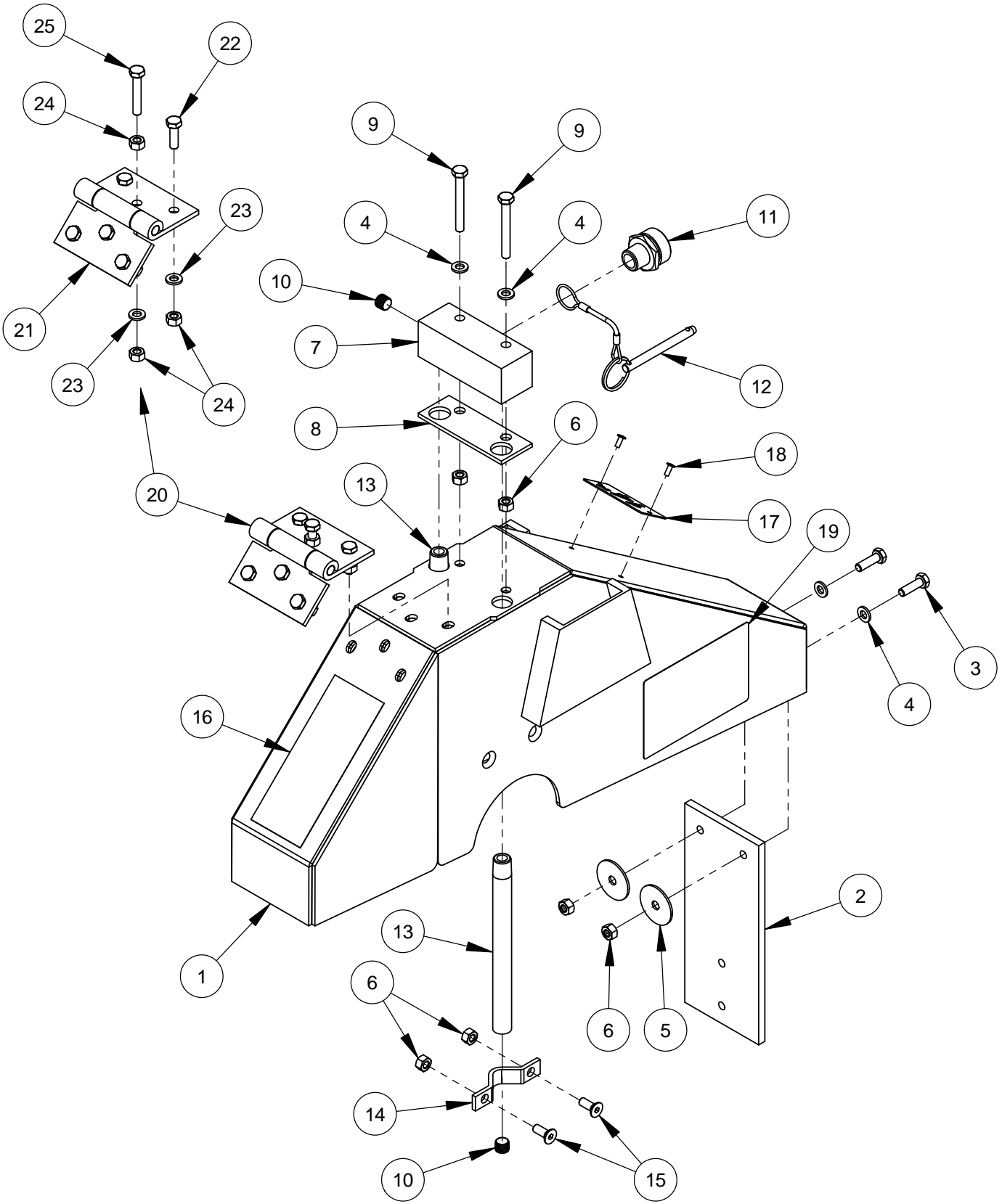
ITEM	PART NO.	QTY.	DESCRIPTION
1	6048218	1	Idler Arm
2	2500074	1	Idler Pulley 3"
3	2900006	2	Lock Washer, 3/8" Split
4	2900013	1	Cap Screw, Hex Hd., 3/8-16 x 1-1/4"
5	2900521	1	Tap Bolt, Hex Hd., 3/8-16 x 2-1/2"
6	2900018	1	Lock Nut, 3/8-16 Nylon
7	2900033	1	Hex Nut, 3/8-16
8	2500195	1	Spring, 3/8" x 7-3/4"
9	2900055	1	Cotter Pin, 3/16" x 1"

Dual Front Pointer Assembly #6011540



ITEM	PART NO.	QTY.	DESCRIPTION
1	6011537	1	Front Pointer Frame
2	6011539	1	Pointer Tube, 20"
3	2504577	2	Shaft Collar, 3/4" Split
4	2504581	1	Wheel, 6"
5	6011535	2	Front Pointer Rod, 11"
6	2500740	2	Pointer Cap
7	2900013	2	Cap Screw, Hex Hd., 3/8-16 x 1-1/4"
8	2900033	4	Hex Nut, 3/8-16
9	6011152	2	Front Pointer Arm
10	2900005	2	Cap Screw, Hex Hd., 3/8-16 x 1"
11	2900105	2	Cap Screw, Hex Hd., 1/2-13 x 2-3/4"
12	2900239	2	Friction Washer, 1/2"
13	2900026	2	Lock Nut, 1/2-13 Nylon
14	6017241	1	Pointer Rope 11 Foot
15	3200221	2	Pinch Clamp, Two Ear

14" Blade Guard Assembly #6010950

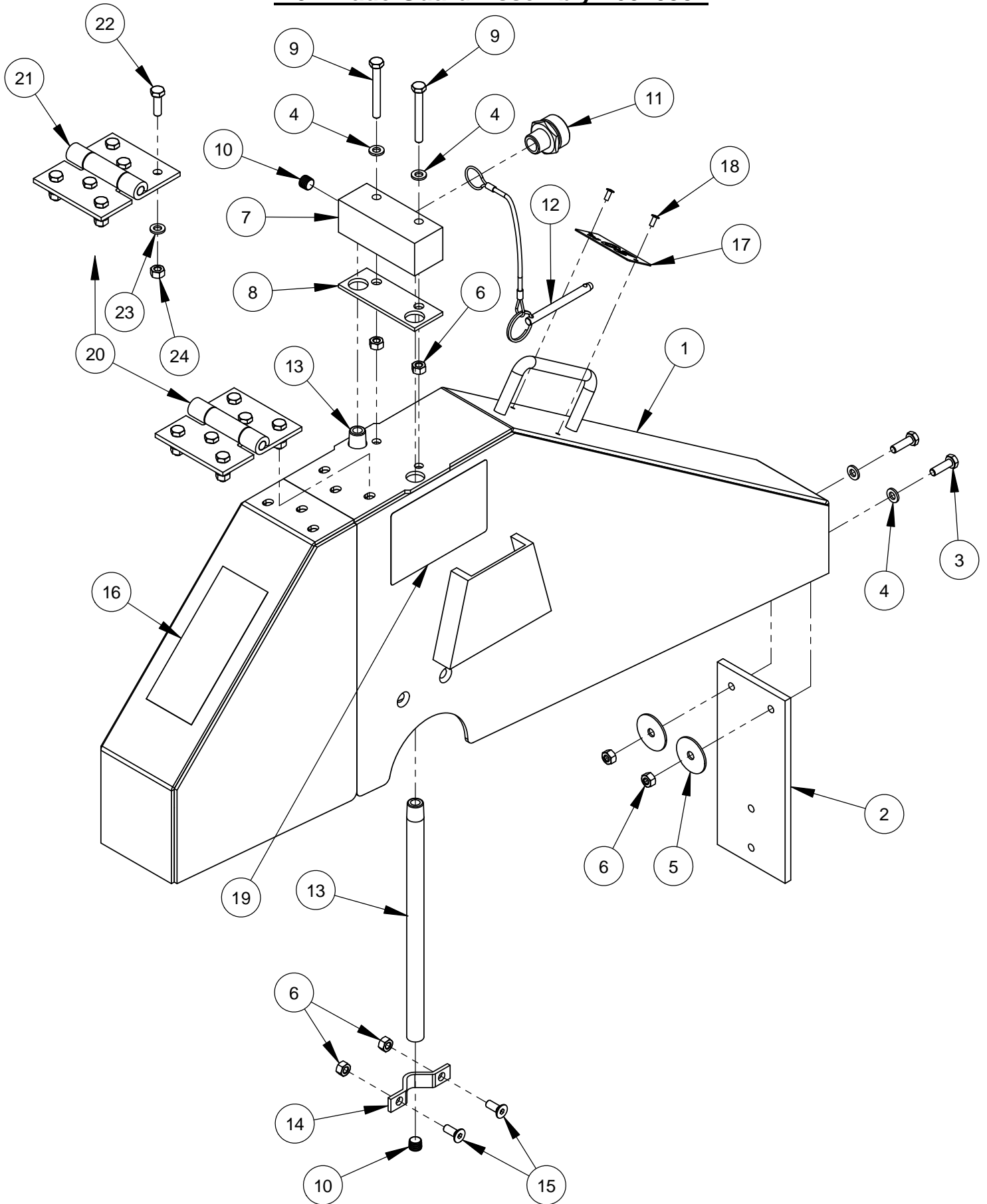


14" Blade Guard Assembly #6010950

ITEM	PART NO.	QTY.	DESCRIPTION
1	6010601	1	14" Blade Guard Front & Rear Only
2	6010081	1	Splash Flap
3	2900310	2	Cap Screw, Hex Hd., M6-1.0 x 20mm
4	2901494	4	Flat Washer, M6
5	2900083	2	Fender Washer, 1/4" x 1-1/4"
6	2900302	8	Lock Nut, M6-1.0 Nylon Insert
7	6010261	1	Water Manifold
8	2500830	1	Water Manifold Gasket
9	2901355	2	Cap Screw, Hex Hd., M6-1.0 x 50mm
10	3200001	3	Plug, 1/8" NPT
11	3200002	1	Fitting, 3/8" M. Pipe to 3/4" M. Garden
12	2900278	1	Lanyard with Lock Pin
13	6048283	2	Water Tube for 14" Guard
14	6048155	2	Water Tube Clamp
15	2900308	4	Cap Screw, Flat Hd., M6-1.0 x 16mm
16	1800001	1	Warning Label
17	1801369A	1	Blade Guard Size Tag
18	2900287	2	Rivet, 1/8" Dia.
19	1802090	2	Label, Wedge Locking Washer
20	6048026	1	Hinge Assembly

ITEM	PART NO.	QTY.	DESCRIPTION
21	2500270	1	Blade Guard Hinge
22	2900310	5	Cap Screw, Hex Hd., M6-1.0 x 20mm
23	2901494	6	Flat Washer, M6
24	2900302	7	Lock Nut, M6-1.0 Nylon Insert
25	2900312	1	Cap Screw, Hex Hd., M6-1.0 x 35mm

20" Blade Guard Assembly #6010952

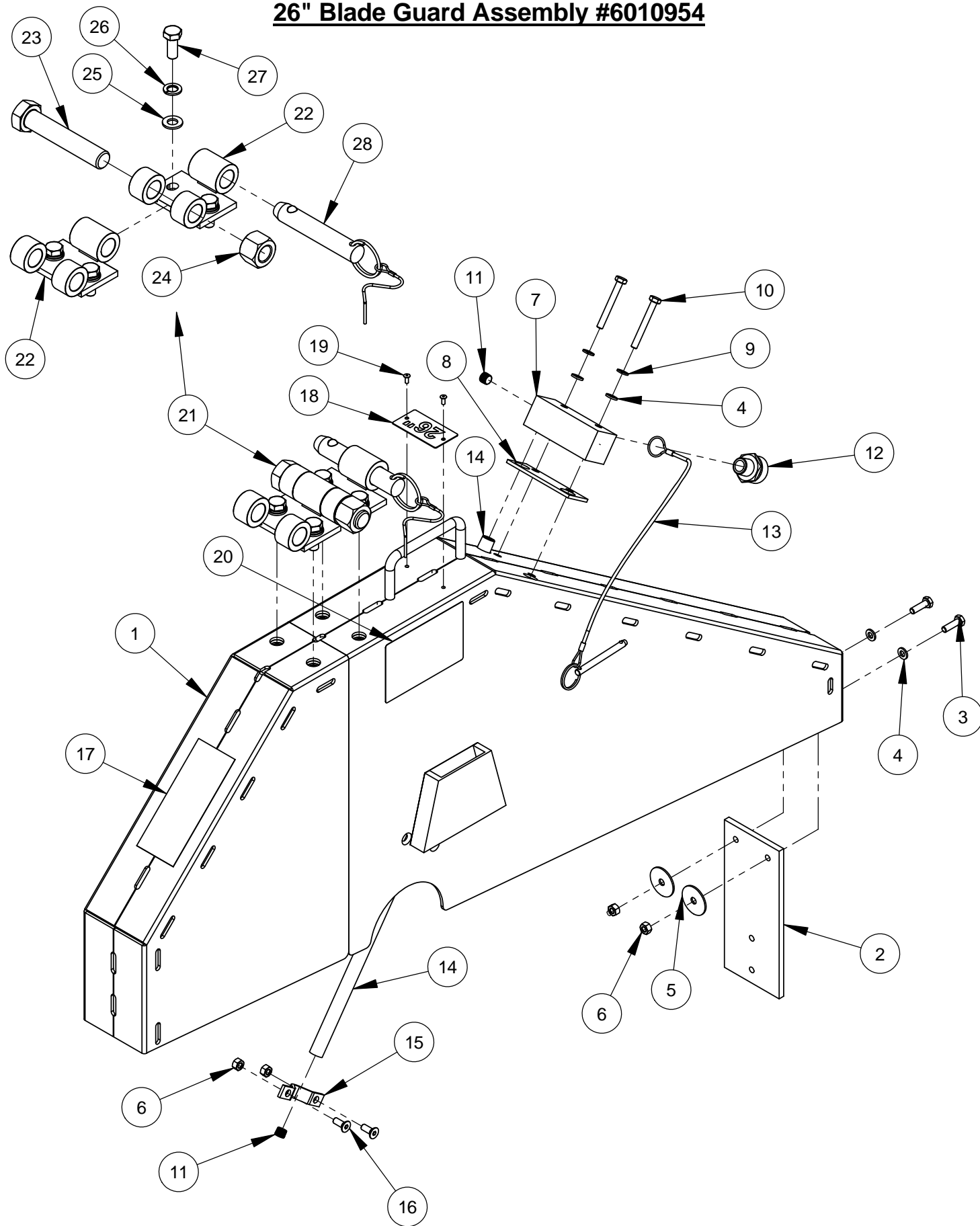


20" Blade Guard Assembly #6010952

ITEM	PART NO.	QTY.	DESCRIPTION
1	6010603	1	20" Blade Guard Front & Rear Only
2	6010081	1	Splash Flap
3	2900310	2	Cap Screw, Hex Hd., M6-1.0 x 20mm
4	2901494	4	Flat Washer, M6
5	2900083	2	Fender Washer, 1/4" x 1-1/4"
6	2900302	8	Lock Nut, M6-1.0 Nylon Insert
7	6010261	1	Water Manifold
8	2500830	1	Water Manifold Gasket
9	2901355	2	Cap Screw, Hex Hd., M6-1.0 x 50mm
10	3200001	3	Plug, 1/8" NPT
11	3200002	1	Fitting, 3/8" M. Pipe to 3/4" M. Garden
12	2900278	1	Lanyard with Lock Pin
13	6010085	2	Water Tube for 20" Guard
14	6048155	2	Water Tube Clamp
15	2900308	4	Cap Screw, Flat Hd., M6-1.0 x 16mm
16	1800001	1	Warning Label
17	1801369D	1	Blade Guard Size Tag
18	2900287	2	Rivet, 1/8" Dia.
19	1802090	2	Label, Wedge Locking Washer
20	6048027	1	Hinge Assembly

ITEM	PART NO.	QTY.	DESCRIPTION
21	2500270	1	Blade Guard Hinge
22	2900310	6	Cap Screw, Hex Hd., M6-1.0 x 20mm
23	2901494	6	Flat Washer, M6
24	2900302	6	Lock Nut, M6-1.0 Nylon Insert

26" Blade Guard Assembly #6010954

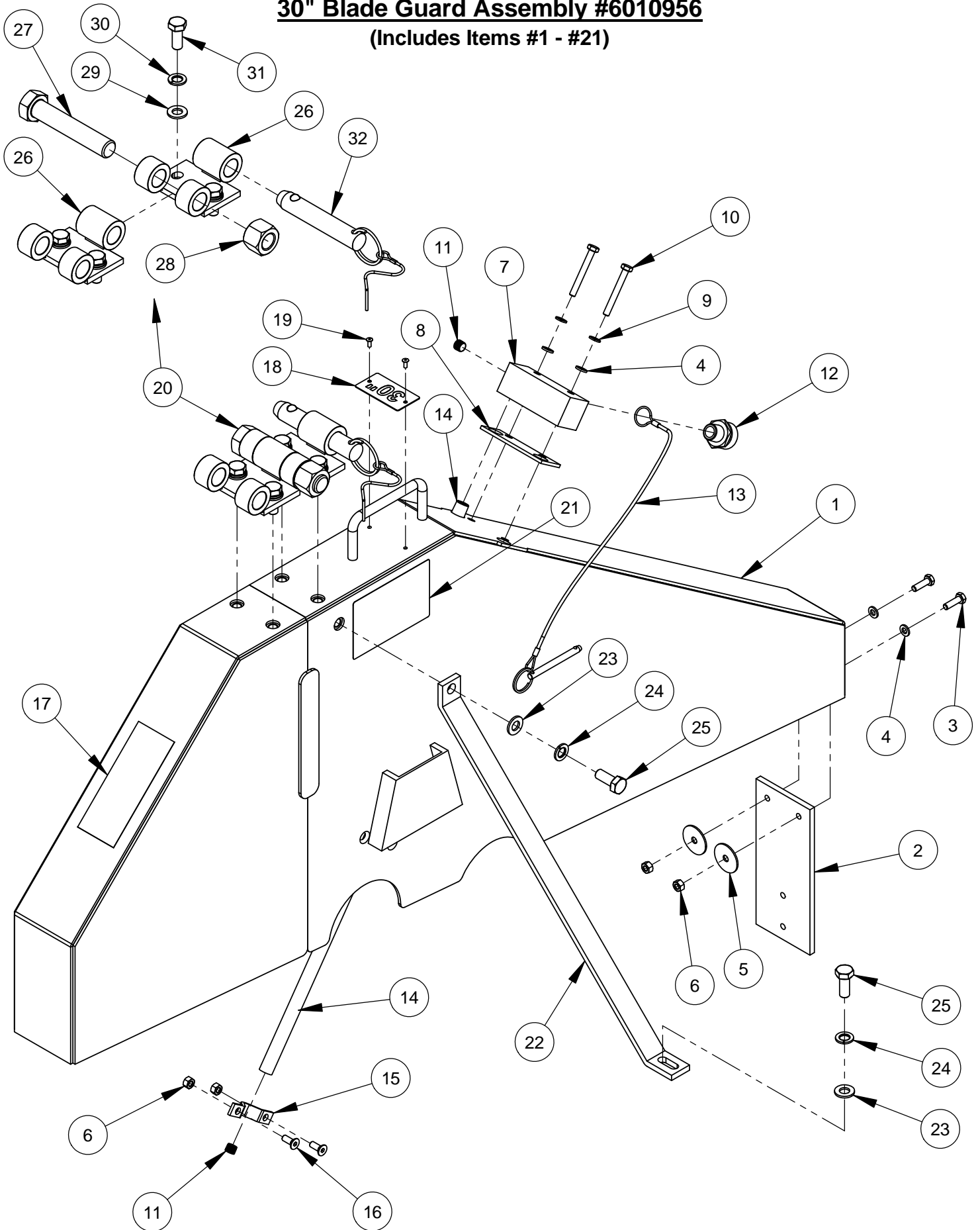


26" Blade Guard Assembly #6010954

ITEM	PART NO.	QTY.	DESCRIPTION
1	6010955	1	26" Blade Guard Front & Rear Only
2	6010081	1	Splash Flap
3	2900310	2	Cap Screw, Hex Hd., M6-1.0 x 20mm
4	2901494	4	Flat Washer, M6
5	2900083	2	Fender Washer, 1/4" x 1-1/4"
6	2900302	6	Lock Nut, M6-1.0 Nylon Insert
7	6010261	1	Water Manifold
8	2500830	1	Water Manifold Gasket
9	2900765	2	Lock Washer, M6 Split
10	2901355	2	Cap Screw, Hex Hd., M6-1.0 x 50mm
11	3200001	3	Plug, 1/8" NPT
12	3200002	1	Fitting, 3/8" M. Pipe to 3/4" M. Garden
13	2900279	1	Lanyard with Lock Pin
14	6010086	2	Water Tube for 26" Guard
15	6048155	2	Water Tube Clamp
16	2900308	4	Cap Screw, Flat Hd., M6-1.0 x 16mm
17	1800001	1	Warning Label
18	1801369F	1	Blade Guard Size Tag
19	2900287	2	Rivet, 1/8" Dia.
20	1802090	2	Label, Wedge Locking Washer
21	6010873	1	Universal Hinge Assembly

ITEM	PART NO.	QTY	DESCRIPTION
22	6010871	2	Hinge Weldment, Universal
23	2900479	1	Cap Screw, Hex Hd., 3/4-10 x 4"
24	2900467	1	Lock Nut, 3/4-10 Nylon
25	2901356	4	Flat Washer, M10
26	2900321	4	Lock Washer, M10 Split
27	2900333	4	Cap Screw, Hex Hd., M10-1.5 x 25mm
28	2503824	1	Detent Pin, 3/4" x 3" Grip

30" Blade Guard Assembly #6010956
(Includes Items #1 - #21)

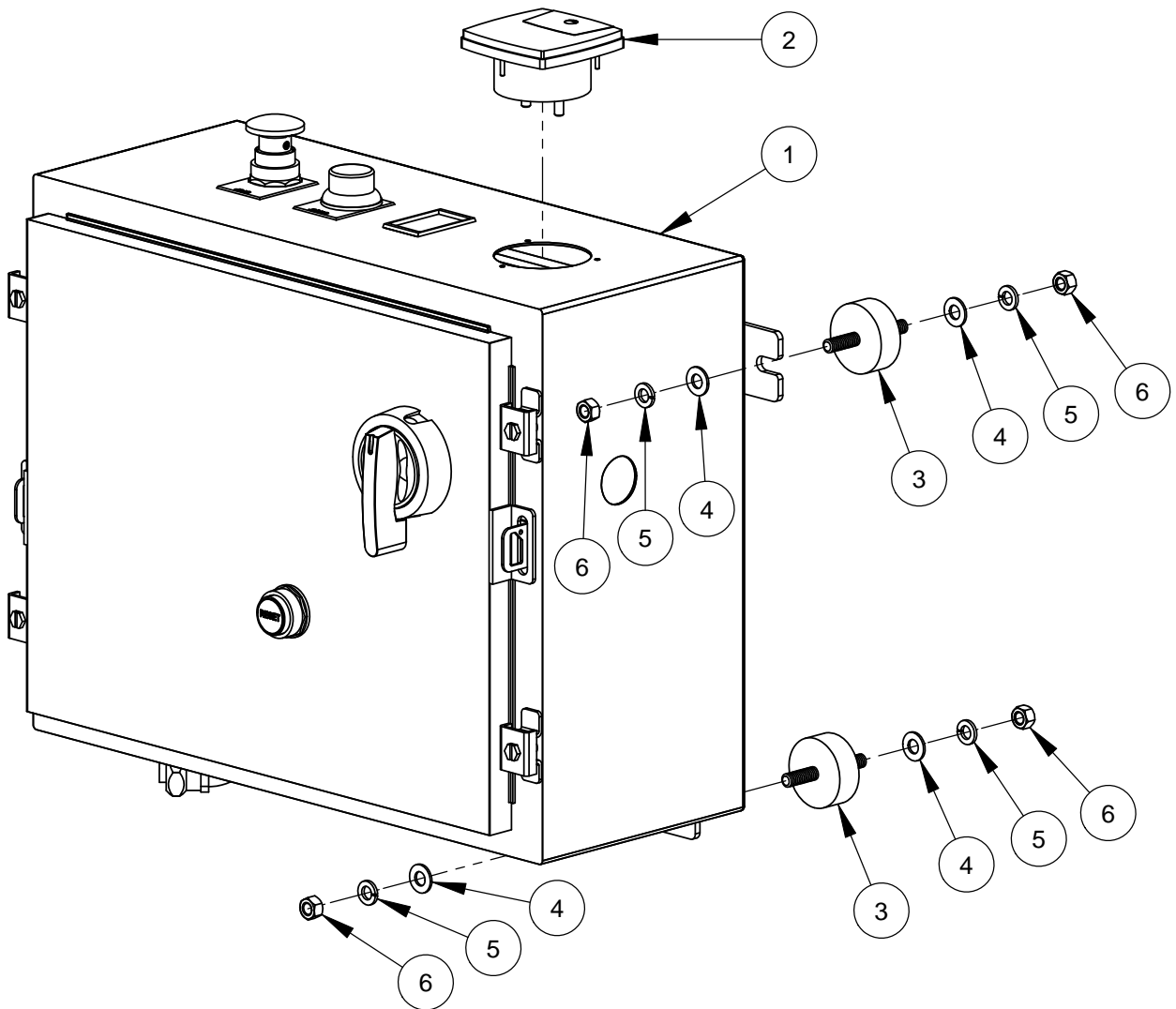


30" Blade Guard Assembly #6010956
(Includes Items #1 - #21)

ITEM	PART NO.	QTY	DESCRIPTION
1	6010957	1	30" Blade Guard Front & Rear Only
2	6010081	1	Splash Flap
3	2900310	2	Cap Screw, Hex Hd., M6-1.0 x 20mm
4	2901494	4	Flat Washer, M6
5	2900083	2	Fender Washer, 1/4" x 1-1/4"
6	2900302	6	Lock Nut, M6-1.0 Nylon Insert
7	6010261	1	Water Manifold
8	2500830	1	Water Manifold Gasket
9	2900765	2	Lock Washer, M6 Split
10	2901355	2	Cap Screw, Hex Hd., M6-1.0 x 50mm
11	3200001	3	Plug, 1/8" NPT
12	3200002	1	Fitting, 3/8" M. Pipe to 3/4" M. Garden
13	2900279	1	Lanyard with Lock Pin
14	6010087	2	Water Tube for 30" Guard
15	6048155	2	Water Tube Clamp
16	2900308	4	Cap Screw, Flat Hd., M6-1.0 x 16mm
17	1800001	1	Warning Label
18	1801369G	1	Blade Guard Size Tag
19	2900287	2	Rivet, 1/8" Dia.
20	6010873	1	Universal Hinge Assembly
21	1802090	2	Label, Wedge Locking Washer
22	6011033	1	Blade Guard Brace
23	2901356	2	Flat Washer, M10
24	2900321	2	Lock Washer, M10 Split
25	2900333	2	Cap Screw, Hex Hd., M10-1.5 x 25mm

ITEM	PART NO.	QTY	DESCRIPTION
26	6010871	2	Hinge Weldment, Universal
27	2900479	1	Cap Screw, Hex Hd., 3/4-10 x 4"
28	2900467	1	Lock Nut, 3/4-10 Nylon
29	2901356	4	Flat Washer, M10
30	2900321	4	Lock Washer, M10 Split
31	2900333	4	Cap Screw, Hex Hd., M10-1.5 x 25mm
32	2503824	1	Detent Pin, 3/4" x 3" Grip

Optional Soft Start Unit Assembly #6012181



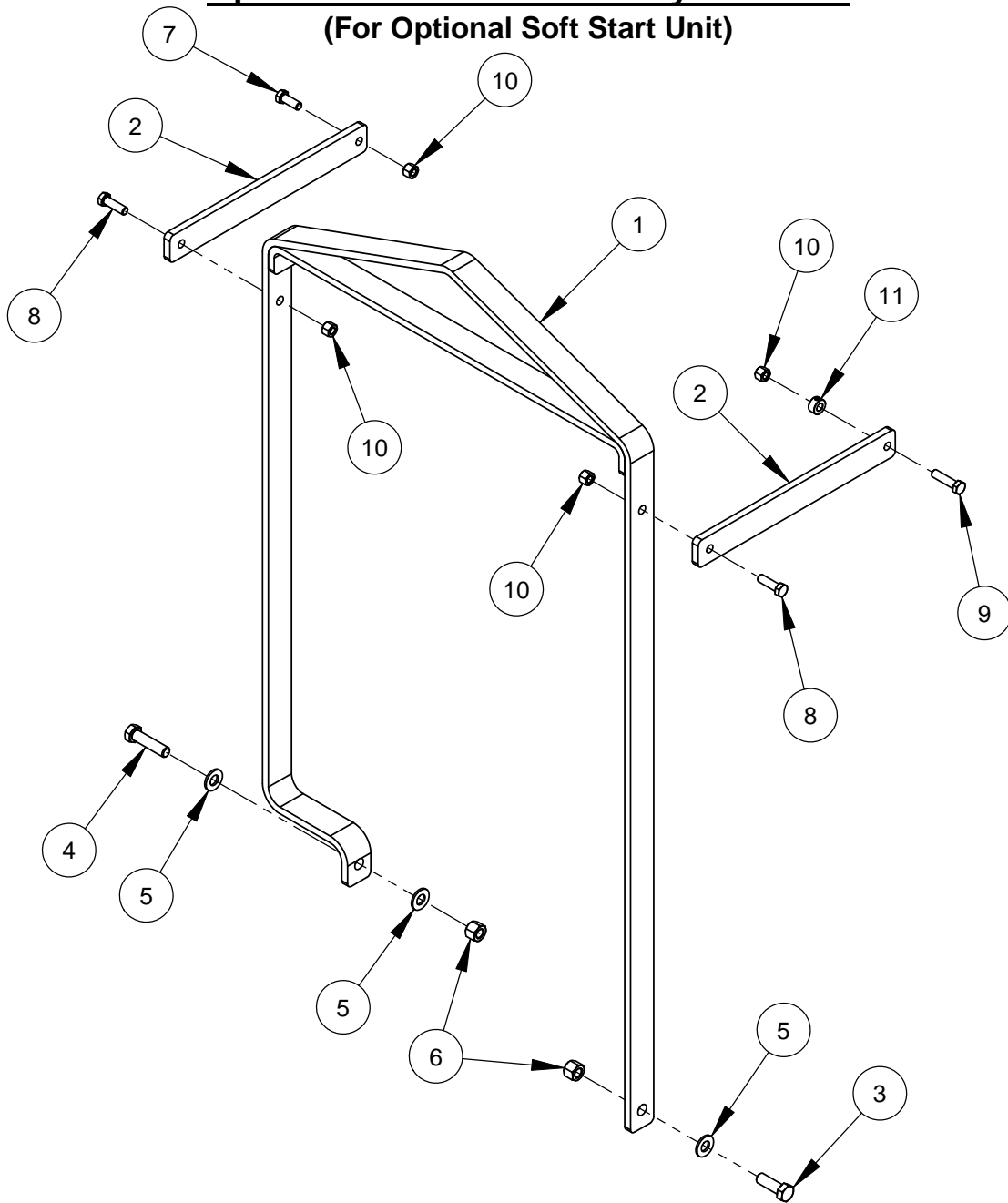
FOR 20HP MOTOR

ITEM	PART NO.	QTY.	DESCRIPTION
1	2800650	1	Soft Start Control Box
2	2800216	1	Amp Meter 20HP
3	2500678	4	Vibration Isolator, 3/8-16
4	2900014	8	Flat Washer, 3/8" SAE
5	2900006	8	Lock Washer, 3/8" Split
6	2900033	8	Hex Nut, 3/8-16

FOR 30HP MOTOR

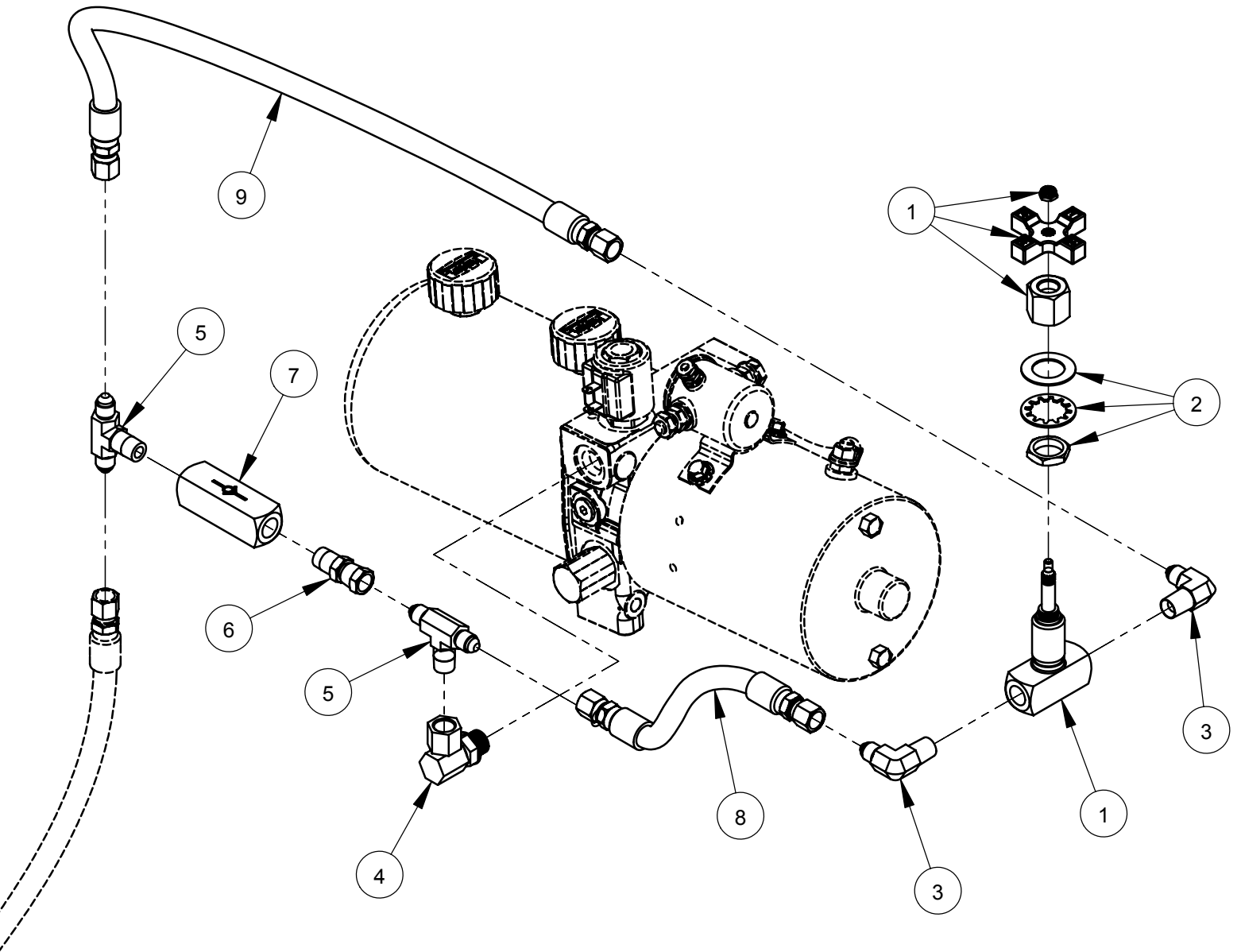
ITEM	PART NO.	QTY.	DESCRIPTION
1	2800650	1	Soft Start Control Box
2	2800203	1	Amp Meter 30HP
3	2500678	4	Vibration Isolator, 3/8-16
4	2900014	8	Flat Washer, 3/8" SAE
5	2900006	8	Lock Washer, 3/8" Split
6	2900033	8	Hex Nut, 3/8-16

Optional Frame Lift Assembly #6011450
(For Optional Soft Start Unit)



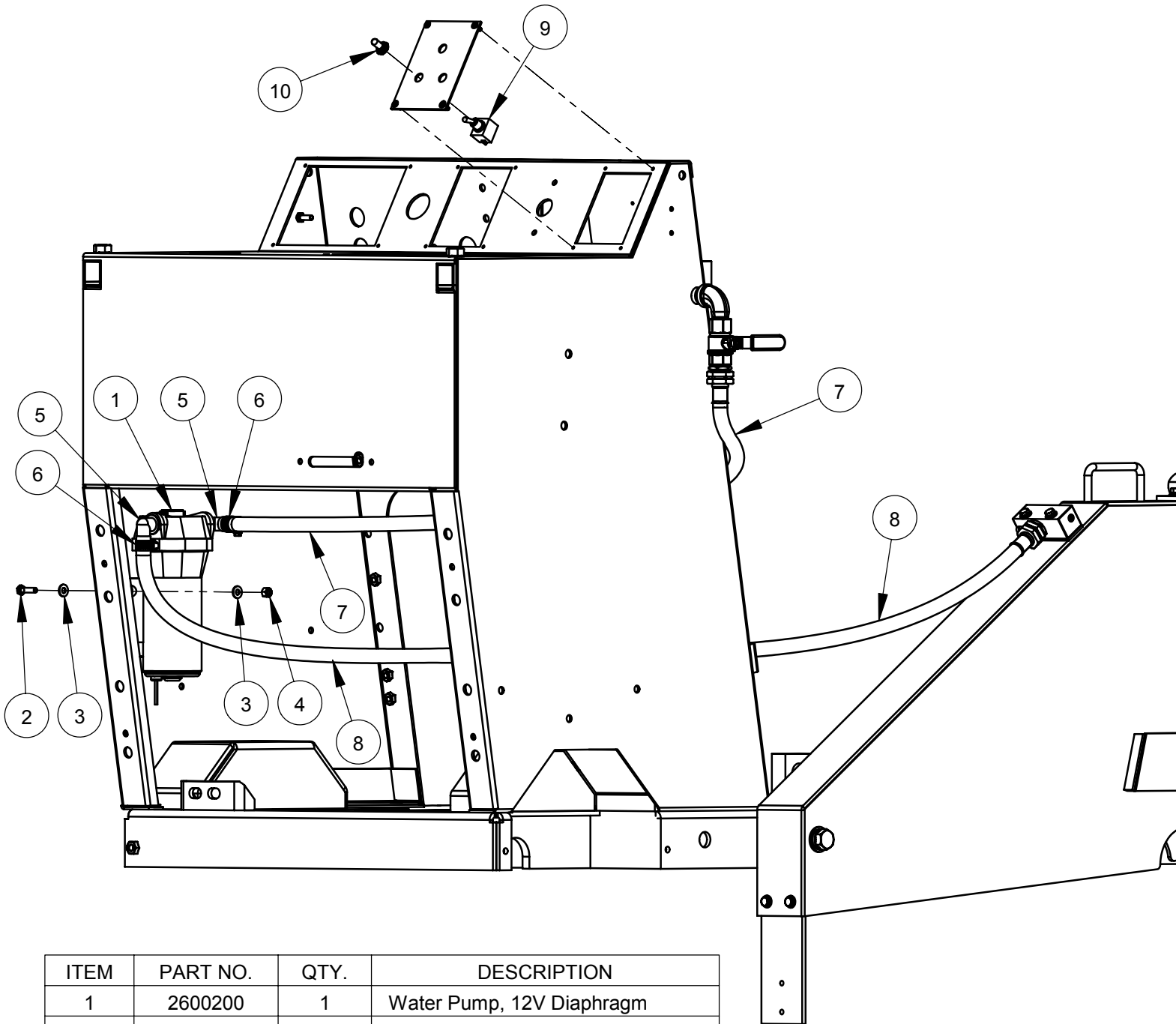
ITEM	PART NO.	QTY.	DESCRIPTION
1	6011447	1	Frame Lift
2	6010013	2	Frame Lift Brace
3	2900499	1	Cap Screw, Hex Hd., 1/2-13 x 1-1/2"
4	2900106	1	Cap Screw, Hex Hd., 1/2-13 x 2"
5	2900058	3	Flat Washer, 1/2" SAE
6	2900026	2	Lock Nut, 1/2-13 Nylon
7	2900005	1	Cap Screw, Hex Hd., 3/8-16 x 1"
8	2900013	2	Cap Screw, Hex Hd., 3/8-16 x 1-1/4"
9	2900029	1	Cap Screw, Hex Hd., 3/8-16 x 1-1/2"
10	2900018	4	Lock Nut, 3/8-16 Nylon
11	2501603	1	Set Collar, 3/8" with Set Screw

Optional Lowering Speed Metering Valve Assembly #6010227



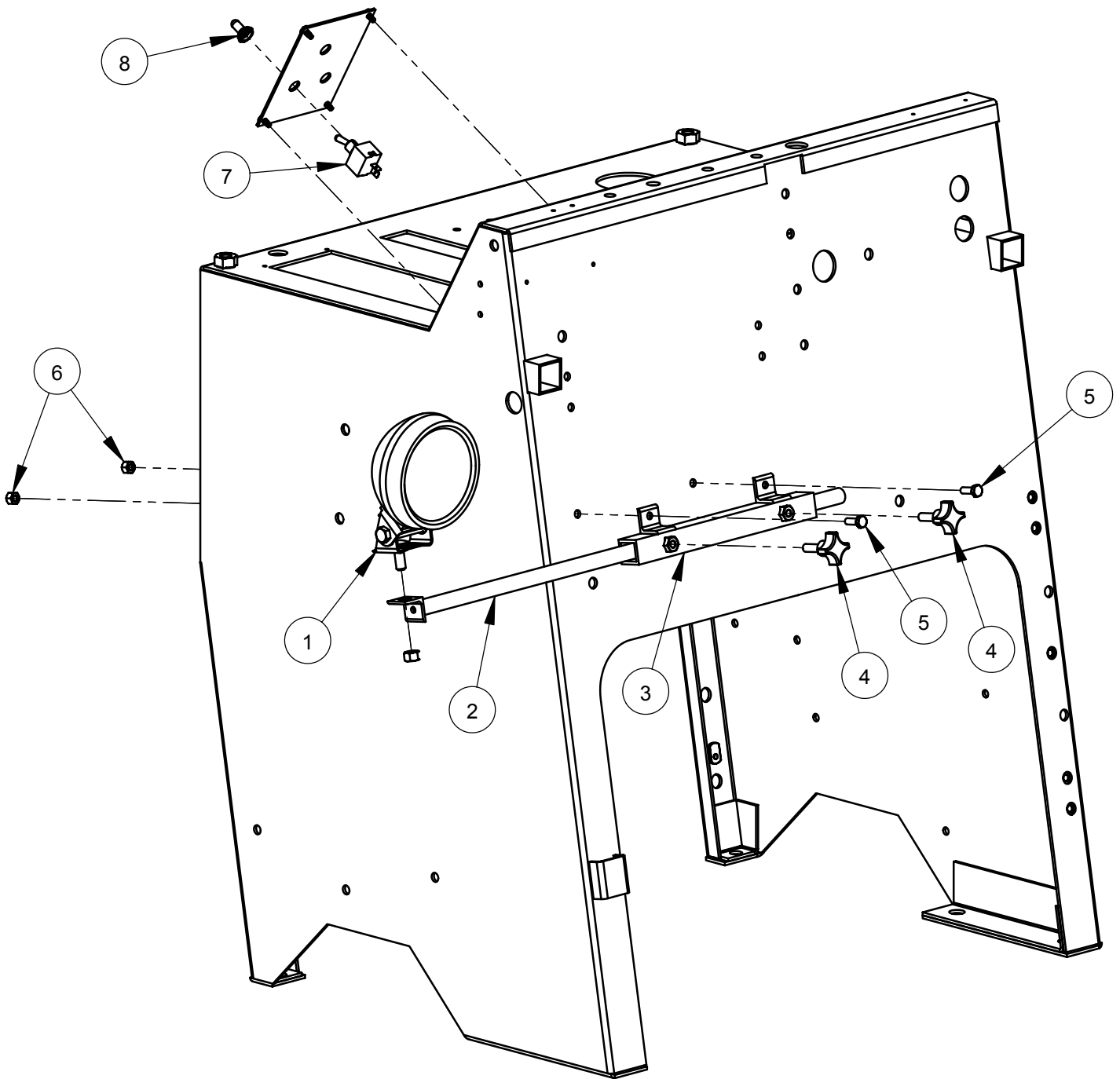
ITEM	PART NO.	QTY.	DESCRIPTION
1	3200211	1	Valve, 1/4" Metering
2	3200212	1	Panel Mounting Kit
3	3200057	2	Elbow, 1/4" M. Pipe to 1/4" M. JIC
4	3200115	1	Elbow, 3/8" O-Ring to 1/4" F. Pipe
5	3200213	2	Tee, 1/4" M. JIC to 1/4" M. Pipe
6	3200219	1	Adapter, 1/4" M. Pipe to 1/4" F. JIC
7	3200218	1	Check Valve
8	6010247	1	Hose Assembly, 8" Long
9	6010248	1	Hose Assembly, 20" Long

Optional Water Pump Assembly #6011032



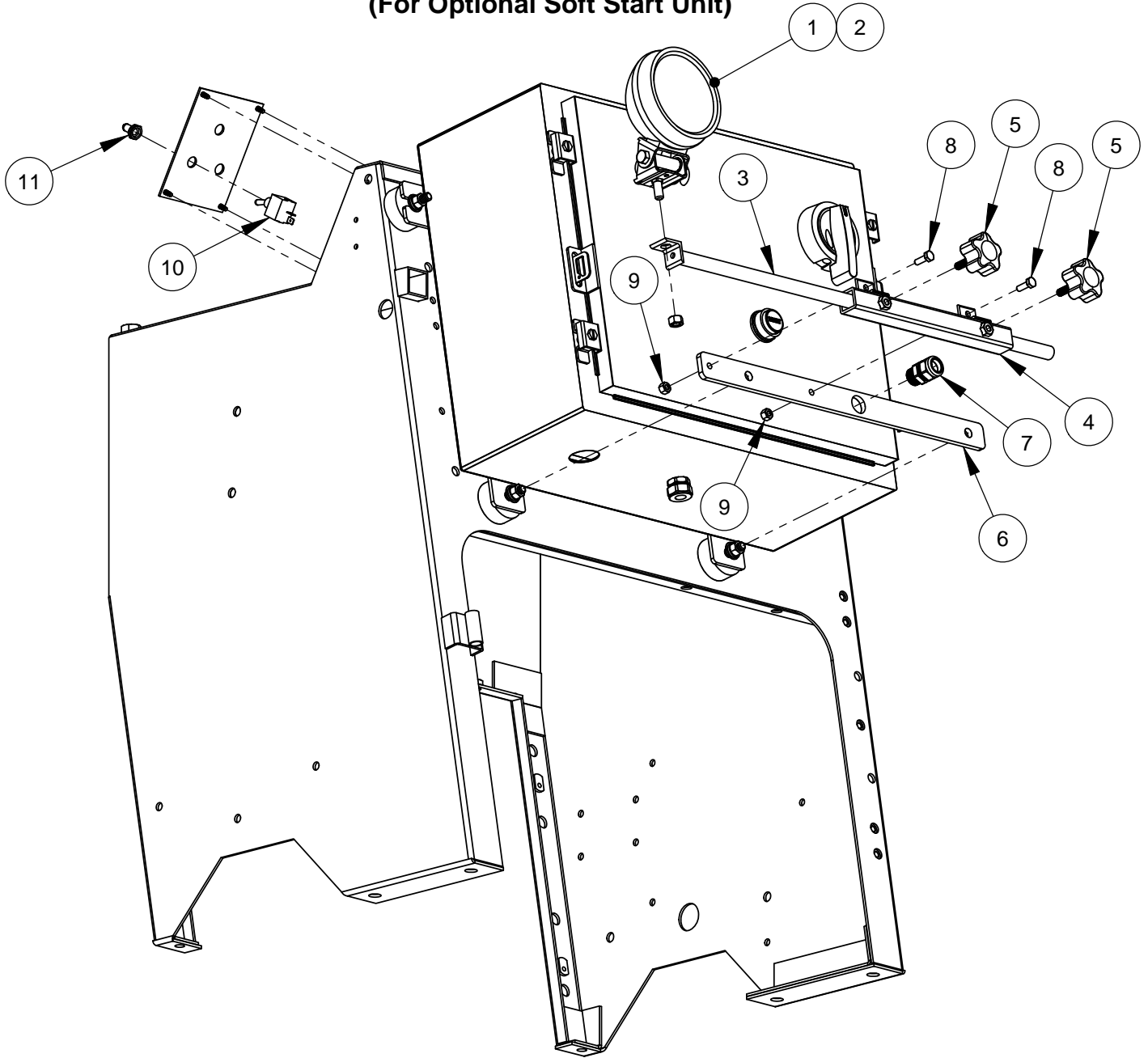
ITEM	PART NO.	QTY.	DESCRIPTION
1	2600200	1	Water Pump, 12V Diaphragm
2	2900008	4	Cap Screw, Hex Hd., 1/4-20 x 1"
3	2900009	8	Flat Washer, 1/4" SAE
4	2900010	4	Lock Nut, 1/4-20 Nylon
5	2701694	2	Port Fitting, 1/2" Barb x 90 Degree
6	3200016	2	Hose Clamp #8
7	6010302	1	Hose Assembly, 4 Foot
8	6010303	1	Hose Assembly, 5 Foot
9	2800062	1	Toggle Switch
10	2800063	1	Switch Boot

Optional Spot Light Assembly #6010112



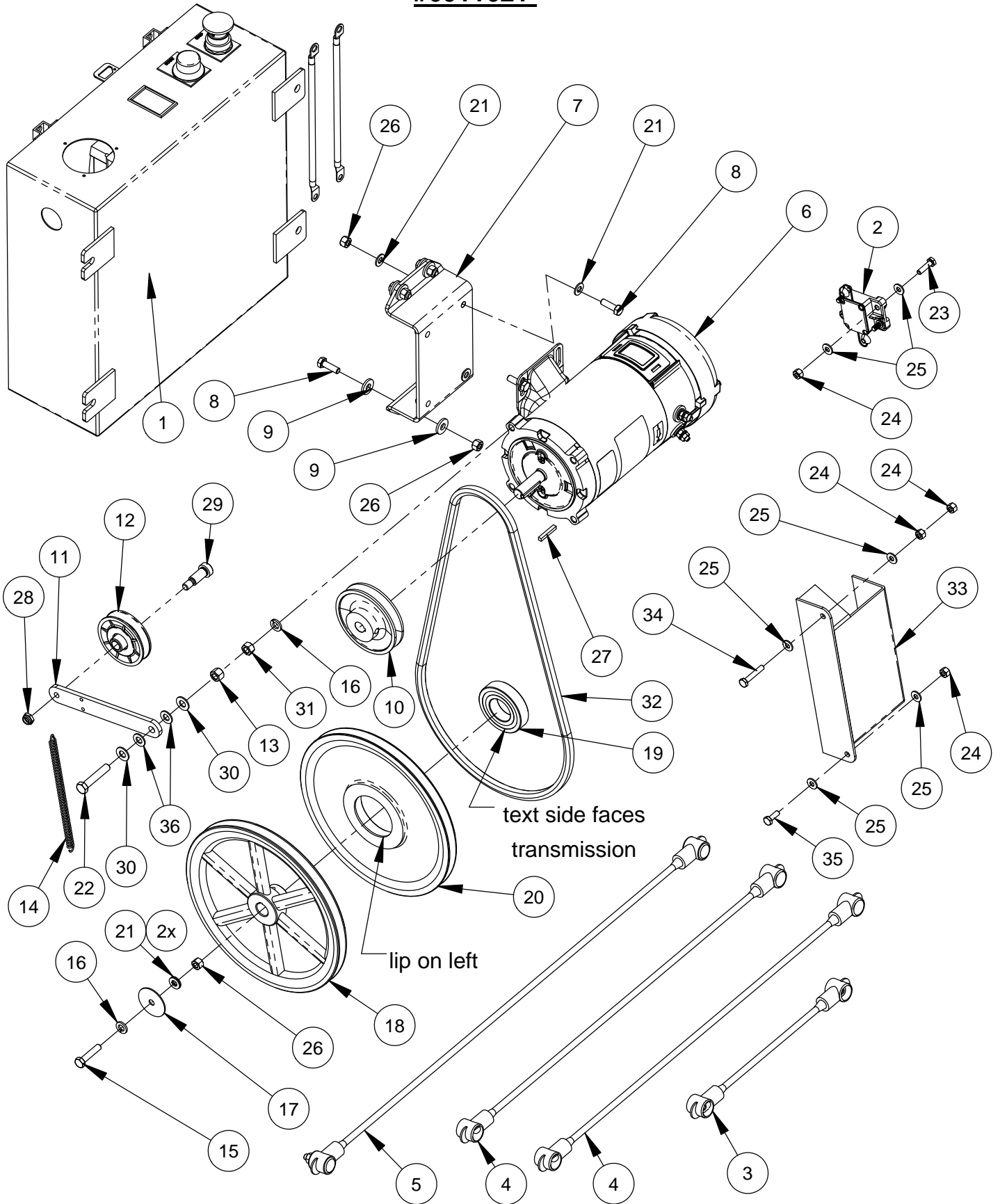
ITEM	PART NO.	QTY.	DESCRIPTION
1	2500194	1	Spot Light, 12 Volt
2	6010106	1	Light Bar
3	6010107	1	Light Bar Mount Bracket
4	2400157	2	Hand Lock Knob, 5/16-18 x 1"
5	2900144	2	Cap Screw, Hex Hd., 1/4-20 x 3/4"
6	2900010	2	Lock Nut, 1/4-20 Nylon
7	2800062	1	Toggle Switch
8	2800063	1	Switch Boot

Optional Spot Light Assembly #6012182
(For Optional Soft Start Unit)



ITEM	PART NO.	QTY.	DESCRIPTION
1	2500194	1	Spot Light, 12 Volt
2	6017086	1	Coiled Light Cord (1 Foot)
3	6010106	1	Light Bar
4	6010107	1	Light Bar Mount Bracket
5	2400157	2	Hand Lock Knob, 5/16-18 x 1"
6	6012183	1	Light Attachment Bar
7	2800623	1	Cord Grip, 1/2" NPT Nylon
8	2900144	2	Cap Screw, Hex Hd., 1/4-20 x 3/4"
9	2900010	2	Lock Nut, 1/4-20 Nylon
10	2800062	1	Toggle Switch On/Off
11	2800063	1	Switch Boot

Optional CC3500 DC Travel Assembly 230/460V
#6011621

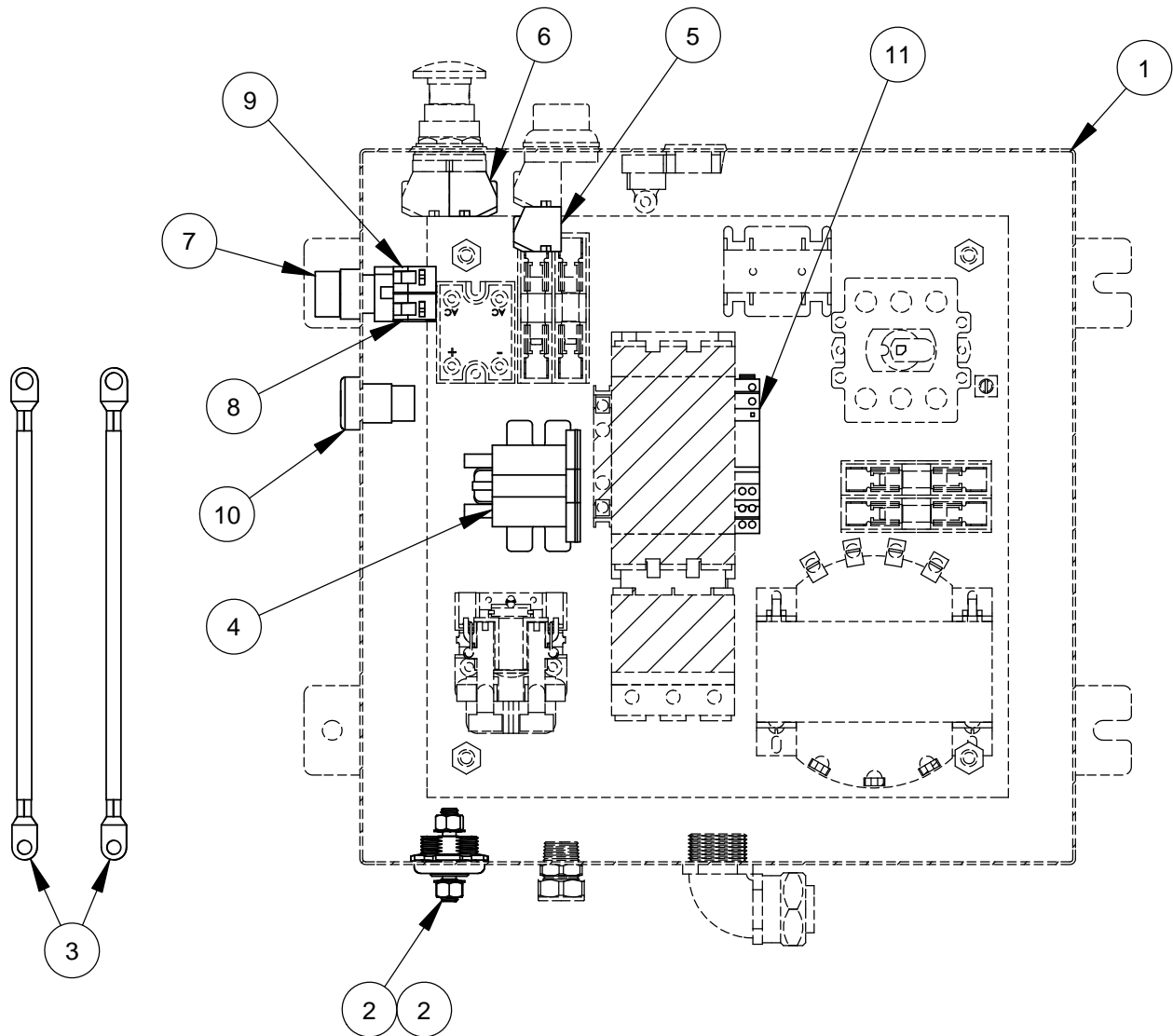


**Optional CC3500 DC Travel Assembly 230/460V
#6011621**

ITEM	PART NO.	QTY.	DESCRIPTION
1	6011590	1	Starter Box Assembly 230/460V for DC Travel Option
2	2802011	1	Circuit Breaker, 80 Amp
3	4646225	1	Battery Cable Assy., Red
4	2801715	2	Battery Cable Assy., Red
5	4646016	1	Battery Cable Assy., Black
6	2600882	1	3/4HP Leeson Motor. 12VDC 1750 RPM
7	6012205	1	Motor Platform
8	2900138	8	Cap Screw, Hex Hd., 5/16-18 x 1"
9	2900567	8	5/16" Flat Washer
10	2505714	1	Sheave, 3.95"
11	6048218	1	Idler Arm
12	2503920	1	Idler Pulley, 3" V-Type
13	2900018	1	Locknut, 3/8-16, Nylon
14	2500195	1	Spring, 3/8" x 7-3/4"
15	2900508	1	Cap Screw, Hex Hd., 5/16-18 x 1-1/2"
16	2900006	2	Lock Washer, 3/8" Split
17	2901504	1	Fender Washer, 5/16 x 1-3/4 x 1/16"
18	6012232	1	Clutch Pulley 10.25"
19	2505380	1	Bearing, one way locking
20	6012238	1	Clutch Sheave, 10"
21	2900022	10	Flat Washer, 5/16" SAE
22	2900366	1	Tap Screw, Hex Hd., 3/8-16 x 2"
23	2900008	2	Cap Screw, Hex Hd., 1/4-20 x 1"
24	2900010	5	Lock Nut, 1/4-20 Nylon
25	2900009	8	Flat Washer, 1/4" SAE
26	2900039	9	Lock Nut, 5/16-18 Nylon
27	6048229	1	Key, 3/16" Sq. x 1-1/4"
28	2903246	1	Jam Lock Nut, 3/8-16
29	2900587	1	Shoulder Screw, 1/2" x 1" (3/8-16)
30	2900014	2	Flat Washer, 3/8" SAE
31	2900033	1	Hex Nut, 3/8-16
32	2505270	1	Double V-Belt, AA-49
33	6018295	1	DC Drive Fan Guard
34	2900416	1	Tap Screw, Hex Hd., 1/4-20 X 1-1/2"
35	2900144	1	Cap Screw, Hex Hd., 1/4-20 x 3/4"
36	2901383	2	Friction Washer, 3/8"

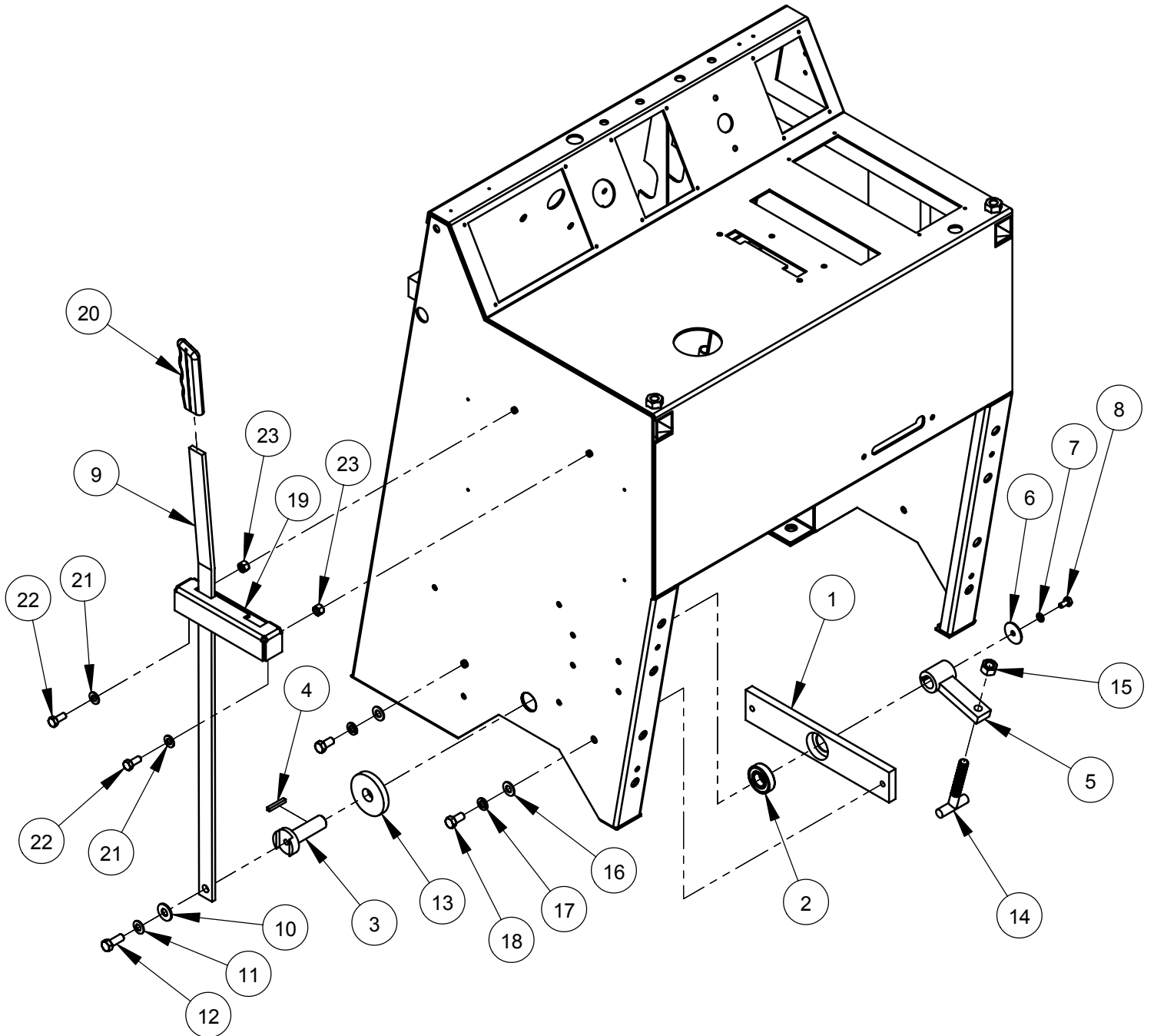
Intentionally Blank

**Starter Box Assembly 230/460V for DC Travel Option
6011590A**



ITEM	PART NO.	Default/QTY.	DESCRIPTION
1	2800215	1	Starter Box Unit
2	2802012	2	Battery Feed Stud
3	2800570	2	Battery Cable Assy., Red
4	2703210	1	Solenoid Start Switch
5	2701392	1	Contact Block (N.O.)
6	2800200	1	Contact Block (N.C.)
7	2802963	1	Selector Switch, 2 Position
8	3402113	1	N.O. Contact Block
9	3402114	1	N.C. Contact Black
10	2801801	1	Sounder Alarm
11	2801711	1	Relay, DPDT 12V DC

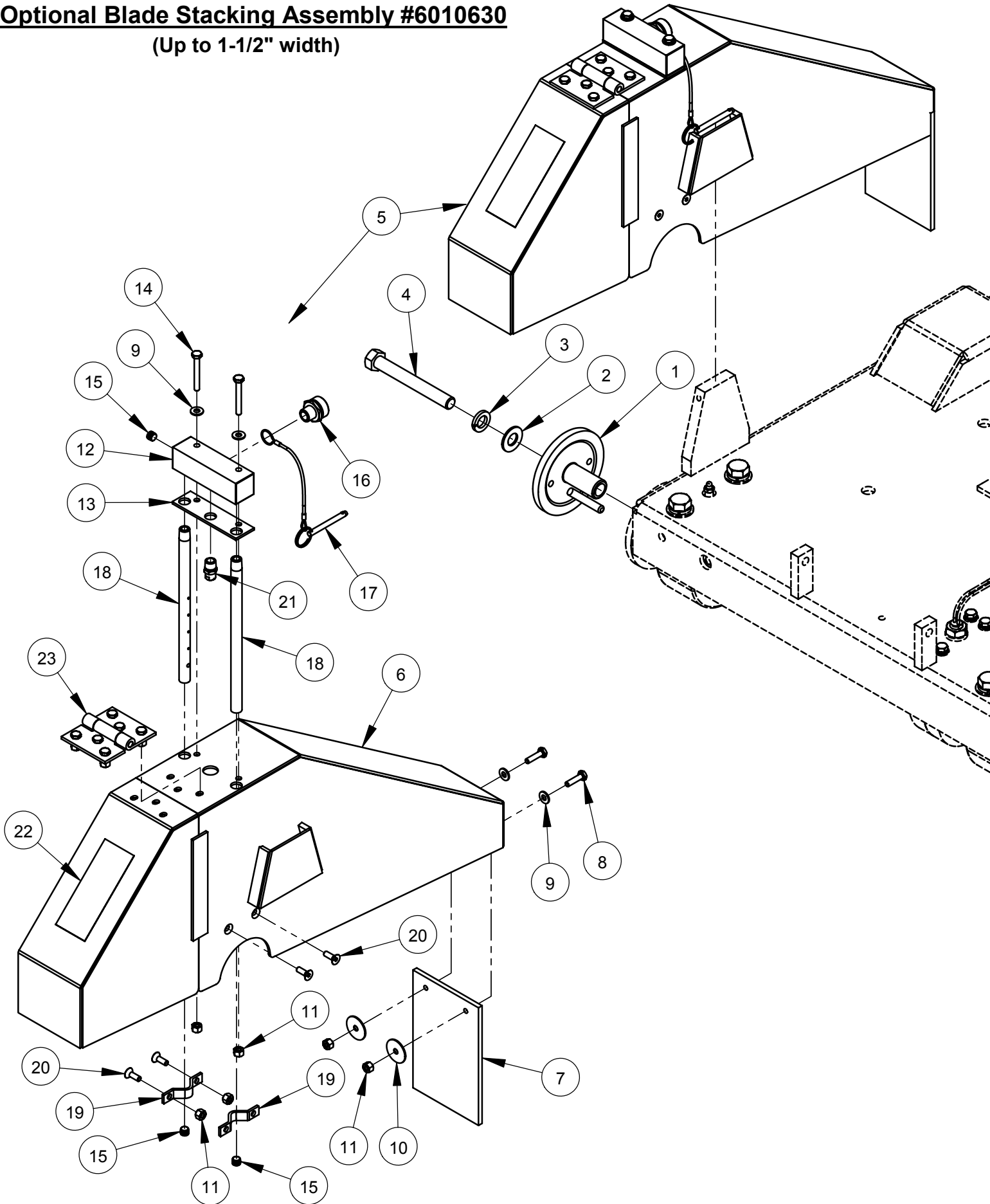
Optional Parking Brake Assembly #6011228



Optional Parking Brake Assembly #6011228

ITEM	PART NO.	QTY.	DESCRIPTION
1	6011229	1	Bearing Housing Bar
2	2501664	1	Ball Bearing, 3/4" x 1-5/8" x 7/16"
3	6011230	1	Pivot Pin
4	6048229	1	Key, 3/16" Sq. x 1-1/4"
5	6011231	1	Pivot Arm
6	2900083	1	Fender Washer, 1/4" x 1-1/4"
7	2900024	1	Lock Washer, 1/4" Split
8	2900082	1	Cap Screw, Hex Hd., 1/4-20 x 1/2"
9	6011232	1	Brake Lever
10	2900473	1	Flat Washer, 3/8" USS
11	2900474	1	Belleville Washer, 3/8"
12	2900005	1	Cap Screw, Hex Hd., 3/8-16 x 1"
13	6011234	1	Friction Washer, 3/4" x 2-1/2" x 3/8"
14	2900632	1	T-Bolt, 1/2-13
15	2900037	1	Hex Nut, 1/2-13
16	2900014	2	Flat Washer, 3/8" SAE
17	2900006	2	Lock Washer, 3/8" Split
18	2900196	2	Cap Screw, Hex Hd., 3/8-16 x 3/4"
19	6011233	1	Lever Gate
20	2500002	1	Lever Grip
21	2900022	2	Flat Washer, 5/16" SAE
22	2900019	2	Cap Screw, Hex Hd., 5/16-18 x 3/4"
23	2900039	2	Lock Nut, 5/16-18 Nylon

Optional Blade Stacking Assembly #6010630
(Up to 1-1/2" width)

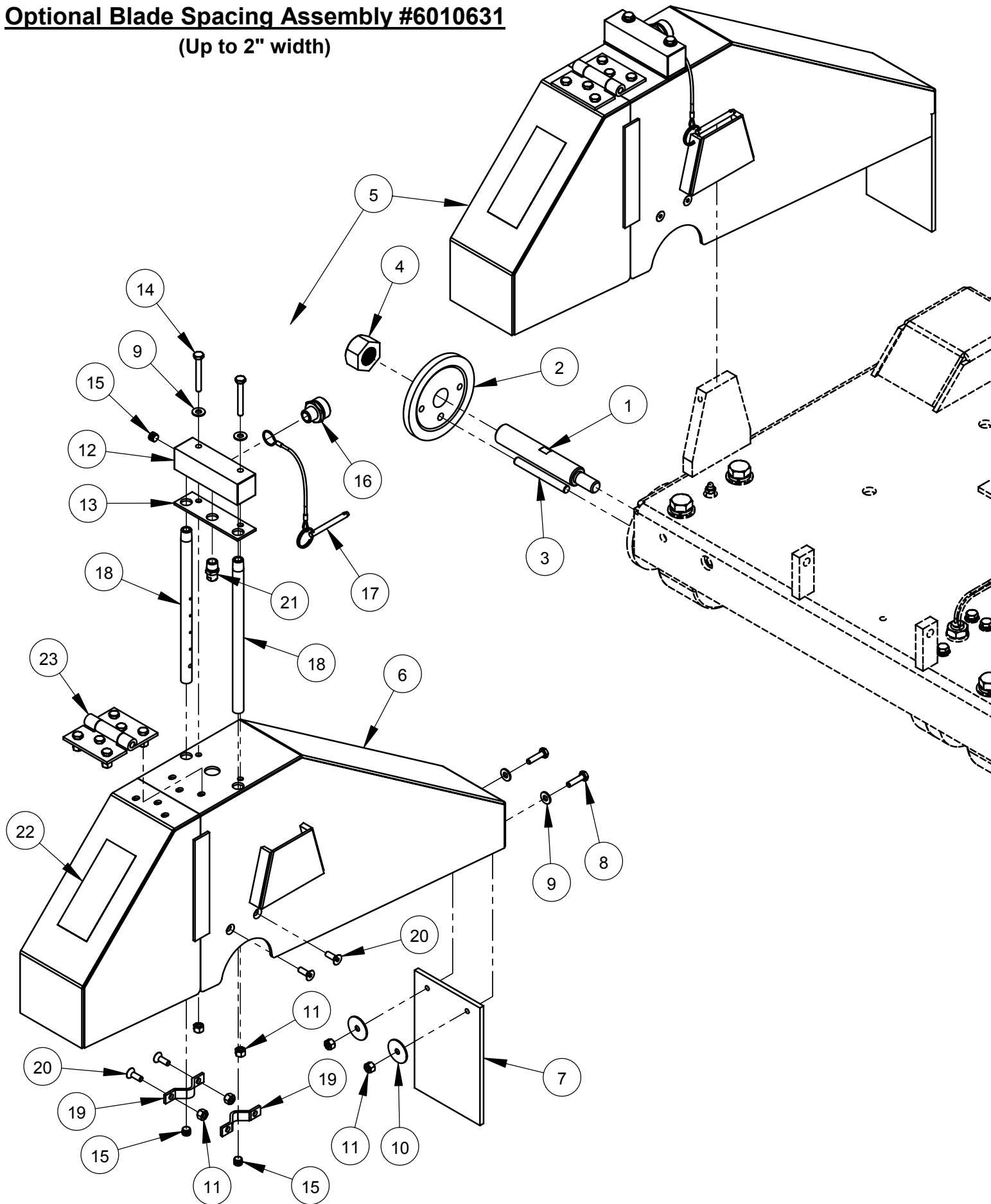


Optional Blade Stacking Assembly #6010630
(Up to 1-1/2" width)

ITEM	PART NO.	QTY.	DESCRIPTION
1	6010159	1	Outer Flange 4-1/2" with Pin
2	2900002	1	Flat Washer, 5/8" SAE
3	2900113	1	Lock Washer, 5/8" Split
4	2900210	1	Cap Screw, Hex Hd., 5/8"-11 x 5" LH
5	6010620	1	20" Wide Blade Guard Assembly

ITEM	PART NO.	QTY.	DESCRIPTION
6	6010621	1	20" Wide Blade Guard Front & Rear Only
7	6010296	1	Splash Flap
8	2900008	2	Cap Screw, Hex Hd., 1/4-20 x 1"
9	2900009	4	Flat Washer, 1/4" SAE
10	2900083	2	Fender Washer, 1/4" x 1-1/4"
11	2900010	8	Lock Nut, 1/4-20 Nylon
12	6010288	1	Water Manifold
13	2500988	1	Water Manifold Gasket
14	2900294	2	Cap Screw, Hex Hd., 1/4-20 x 2"
15	3200001	3	Plug, 1/8" NPT
16	3200002	1	Fitting, 3/8" M. Pipe to 3/4" M. Garden
17	2900278	1	Lanyard with Lock Pin
18	6010085	2	Water Tube for 20" Guard
19	6048155	2	Water Tube Clamp
20	2900020	4	Cap Screw, Flat Hd., 1/4-20 x 3/4"
21	3200208	1	Nozzle, 1/4" NPT
22	1800001	1	Warning Label
23	6010251	1	Hinge Assembly for 20" Guard

Optional Blade Spacing Assembly #6010631
(Up to 2" width)

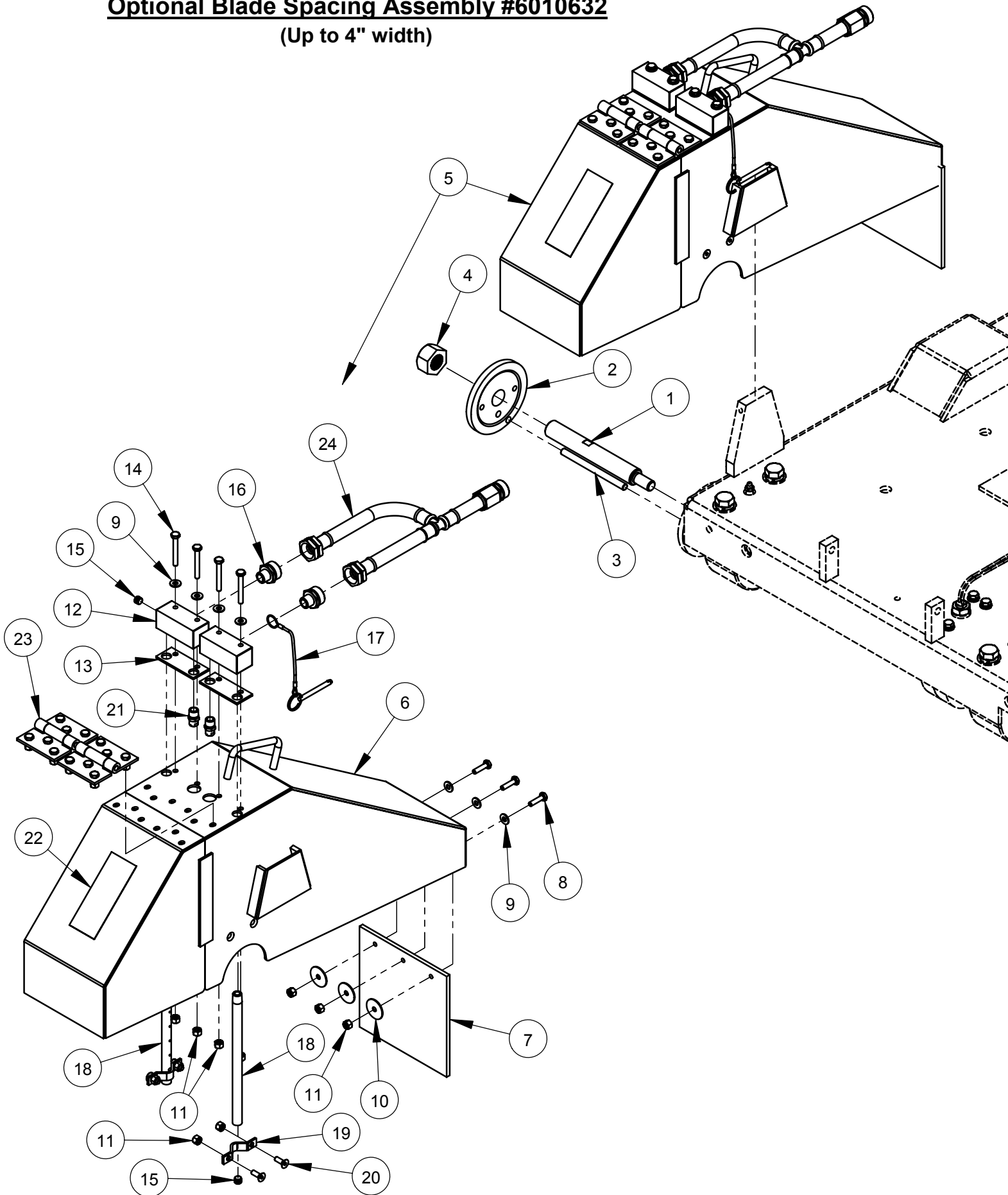


Optional Blade Spacing Assembly #6010631
(Up to 2" width)

ITEM	PART NO.	QTY.	DESCRIPTION
1	6010186	1	Blade Shaft Extension, Left Hand Thread
2	6010187	1	Outer Flange 4-1/2"
3	2900218	1	Dowel Pin, 3/8" Dia. x 3-1/2"
4	2900212	1	Hex Nut, 1"-14 Left Hand
5	6010620	1	20" Wide Blade Guard Assembly

ITEM	PART NO.	QTY.	DESCRIPTION
6	6010621	1	20" Wide Blade Guard Front & Rear Only
7	6010296	1	Splash Flap
8	2900008	2	Cap Screw, Hex Hd., 1/4-20 x 1"
9	2900009	4	Flat Washer, 1/4" SAE
10	2900083	2	Fender Washer, 1/4" x 1-1/4"
11	2900010	8	Lock Nut, 1/4-20 Nylon
12	6010288	1	Water Manifold
13	2500988	1	Water Manifold Gasket
14	2900294	2	Cap Screw, Hex Hd., 1/4-20 x 2"
15	3200001	3	Plug, 1/8" NPT
16	3200002	1	Fitting, 3/8" M. Pipe to 3/4" M. Garden
17	2900278	1	Lanyard with Lock Pin
18	6010085	2	Water Tube for 20" Guard
19	6048155	2	Water Tube Clamp
20	2900020	4	Cap Screw, Flat Hd., 1/4-20 x 3/4"
21	3200208	1	Nozzle, 1/4" NPT
22	1800001	1	Warning Label
23	6010251	1	Hinge Assembly for 20" Guard

Optional Blade Spacing Assembly #6010632
(Up to 4" width)



Optional Blade Spacing Assembly #6010632
(Up to 4" width)

ITEM	PART NO.	QTY.	DESCRIPTION
1	6010309	1	Blade Shaft Extension, Left Hand Thread
2	6010187	1	Outer Flange 4-1/2"
3	6010359	1	Drive Pin, 3/8" Dia. x 5"
4	2900212	1	Hex Nut, 1"-14 Left Hand
5	6010622	1	20" Wide Blade Guard Assembly

ITEM	PART NO.	QTY.	DESCRIPTION
6	6010623	1	20" Wide Blade Guard Front & Rear Only
7	6010366	1	Splash Flap
8	2900008	3	Cap Screw, Hex Hd., 1/4-20 x 1"
9	2900009	7	Flat Washer, 1/4" SAE
10	2900083	3	Fender Washer, 1/4" x 1-1/4"
11	2900010	11	Lock Nut, 1/4-20 Nylon
12	6048123	2	Water Manifold
13	2500829	2	Water Manifold Gasket
14	2900294	4	Cap Screw, Hex Hd., 1/4-20 x 2"
15	3200001	4	Plug, 1/8" NPT
16	3200002	2	Fitting, 3/8" M. Pipe to 3/4" M. Garden
17	2900278	1	Lanyard with Lock Pin
18	6010085	2	Water Tube for 20" Guard
19	6048155	2	Water Tube Clamp
20	2900020	4	Cap Screw, Flat Hd., 1/4-20 x 3/4"
21	3200208	2	Nozzle, 1/4" NPT
22	1800001	1	Warning Label
23	6010251	2	Hinge Assembly for 20" Guard
24	6010588	1	Hose Assembly, Dual Inlet

Decal Group



CORE CUT DECAL
#1800256 (Qty. 3)



WARNING DECAL
#1801075

DIAMOND PRODUCTS CORE CUT CC3500 333 PROSPECT STREET ELYRIA, OHIO 44035 USA PHONE: 1-800-321-5336 www.diamondproducts.com

CC3520E / CC3530E RPM CHART

BLADE SIZE	BLADE RPM	BLADESHAFT SHEAVE	MOTOR SHEAVE	MOTOR RPM	FLANGE SIZE	MAX CUT DEPTH
14"	3,050	3.12"	5.30"	1,800	5"	4-3/8"
20"	2,350	3.65"	4.75"	1,800	5"	7-3/8"
26"	1,800	4.12"	4.12"	1,800	5"	10-3/8"
30"	1,550	4.75"	4.12"	1,800	5"	12-3/8"

WARNING
 • Always check the bladeshaft RPM before mounting blade.
 • Only use blades with a rated speed higher than the bladeshaft speed.
 • Never exceed the maximum RPM stamped on blade. Overriding the blade size causes blade breakage and serious personal injury.
 • When changing blade size, always adjust bladeshaft RPM according to the speed chart to match recommended blade RPM.
 • Do not use a blade flange that smaller than indicated for each blade.
 • Never operate saw without the blade guard in place or allow rotating blade exposure to exceed 180 degrees.
 • Never stand in line with the blade path when starting or operating saw.
 • Never use damaged blades or equipment.
 • Refer to operator's manual for additional information about safety, operation and maintenance.

ADVERTENCIA
 • Siempre cheque la velocidad de la cuchilla antes de montar la hoja.
 • Solo use hojas con una velocidad nominal superior a la velocidad de la cuchilla.
 • Nunca exceda la velocidad máxima indicada en la hoja. Exceder la velocidad máxima causa rotura de la hoja y lesiones personales graves.
 • Cuando cambie el tamaño de la hoja, siempre ajuste la velocidad de la cuchilla de acuerdo al gráfico de velocidades para coincidir con la velocidad recomendada de la hoja.
 • No use una brida de hoja que sea menor a la indicada para cada hoja.
 • Nunca opere la sierra sin el guardabrazos en su lugar o permita la exposición de la cuchilla por más de 180 grados.
 • Nunca se quede en línea con el camino de la hoja al arrancar o operar la sierra.
 • Nunca use hojas dañadas o equipo.
 • Consulte el manual del operador para obtener información adicional sobre seguridad, operación y mantenimiento.

RPM CHART DECAL
#1800949



WARNING DECAL
#1800001

SAW LABELS SHEET
#1800351

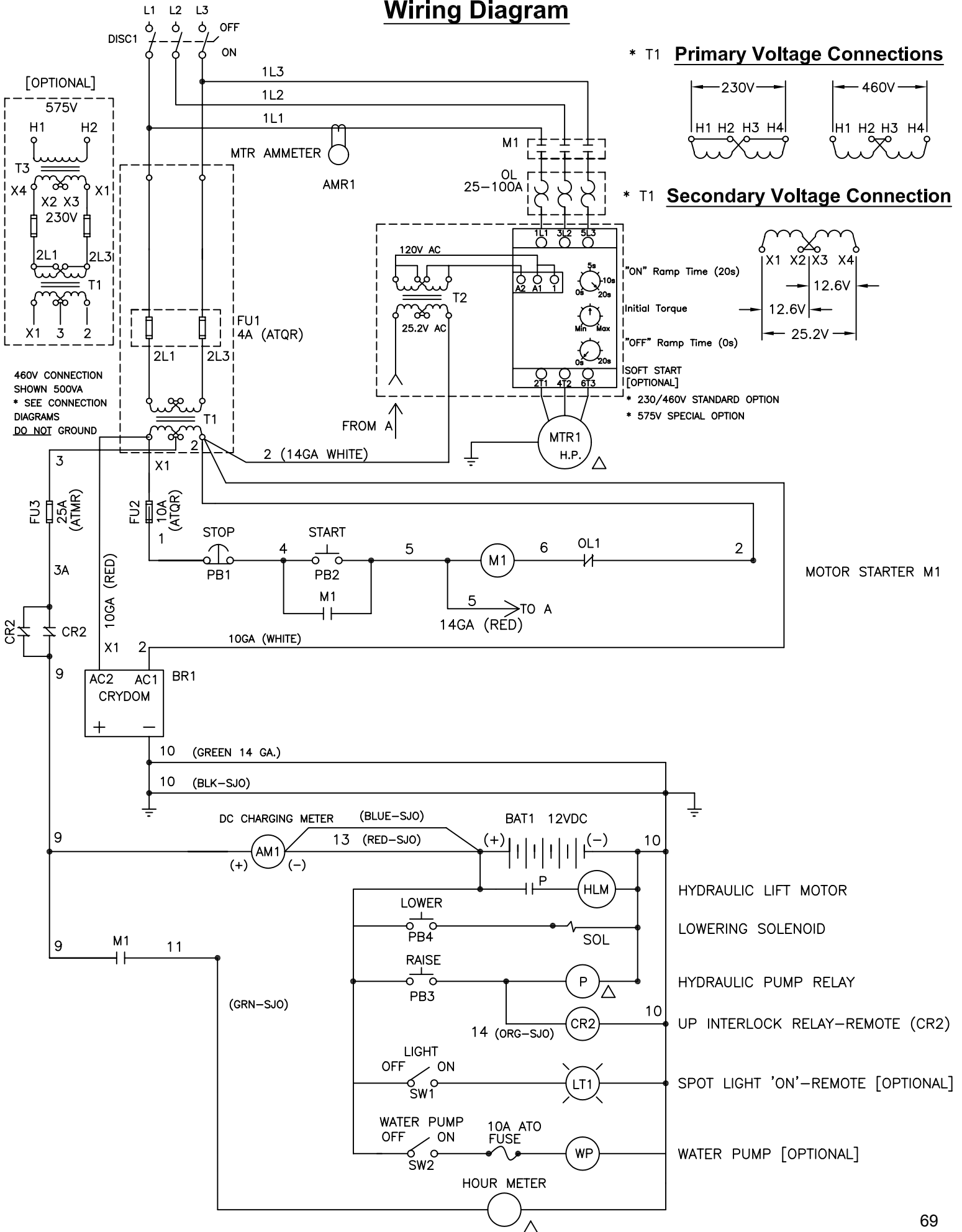
RECOMMENDED POWER CORD GAUGE

HORSE POWER	PHASE	VOLTAGE	AMPS	50' CORD	100' CORD	150' CORD	200' CORD
5hp	1ph	230v	23A	#10	#8	#6	#4
5hp	3ph	230v	12A	#14	#12	#10	#8
5hp	3ph	460v	6A	#14	#14	#12	#10
7.5hp	1ph	230v	33A	#8	#6	#6	#4
10hp	3ph	230v	24A	#10	#8	#6	#4
10hp	3ph	460v	12A	#14	#12	#10	#8
20hp	3ph	230v	52A	#6	#6	#4	#2
20hp	3ph	460v	26A	#10	#8	#6	#4
25hp	3ph	230v	58A	#6	#6	#4	#2
25hp	3ph	460v	29A	#10	#8	#6	#4
30hp	3ph	230v	74A	#6	#4	#2	#1
30hp	3ph	460v	37A	#6	#6	#4	#2
40hp	3ph	460v	48A	#6	#6	#4	#2
50hp	3ph	460v	62A	#4	#4	#2	#0

CAUTION: Use of a wire gauge that is too small will cause loss of power or overheating and will damage the electric motor.

POWER CORD DECAL
#1800376

Wiring Diagram



Blade Speed Conversion Charts

WARNING: Do not exceed blade speed (RPM) shown for each blade size.
Excessive blade speed could result in blade breakage and serious personal injury!

Blade Size	Blade Shaft		Motor		Max. Depth of Cut
	No Load RPM	Sheave Size	No Load RPM	Sheave Size	
14"	3,050	3.12"	1,800	5.30"	4-3/8"
20"	2,350	3.65"	1,800	4.75"	7-3/8"
26"	1,800	4.12"	1,800	4.12"	10-3/8"
30"	1,550	4.75"	1,800	4.12"	12-3/8"

WARNING: When changing blade size, use chart shown below for selecting items that must be changed.

Model CC3520E / CC3530E	14"	20"	26"	30"
Blade Guard Assembly	6010950	6010952	6010954	6010956
20hp Motor Sheave, 1-5/8" Bore (Sheave Size)	6011091 (5.30")	6011092 (4.75")	6011036 (4.12")	6011036 (4.12")
30hp Motor Sheave, 1-7/8" Bore (Sheave Size)	6011093 (5.30")	6011094 (4.75")	6012024 (4.12")	6012024 (4.12")
Blade Shaft Sheave, 1-3/4" Bore (Sheave Size)	6012005 (3.12")	6011009 (3.65")	6011010 (4.12")	6012052 (4.75")

EQUIPMENT AND PARTS WARRANTY

Diamond Products warrants all equipment manufactured by it against defects in workmanship or materials for a period of one (1) year from the date of shipment to Customer.

The responsibility of Diamond Products under this Warranty is limited to replacement or repair of defective parts at Diamond Products' Elyria, Ohio factory, or at a point designated by it, of such parts as shall appear to us upon inspection at such parts, to have been defective in material or workmanship, with expense for transportation and labor borne by Customer.

In no event shall Diamond Products be liable for consequential or incidental damages arising out of the failure of any Product to operate properly.

Integral units such as engines, electric motors, batteries, transmissions, etc., are excluded from this Warranty and are subject to the prime manufacturer's warranty.

THIS WARRANTY IS IN LIEU OF ALL OTHER WARRANTIES, EXPRESSED OR IMPLIED, AND ALL SUCH OTHER WARRANTIES ARE HEREBY DISCLAIMED.



333 Prospect Street, Elyria, Ohio 44035
(440) 323-4616 • (800) 321-5336 • Fax (440) 323-8689
www.diamondproducts.com