



CONCRETE SAW PARTS LIST

**MODEL
CC2500
(Gas)**

September 3, 2015

Part # 1801980

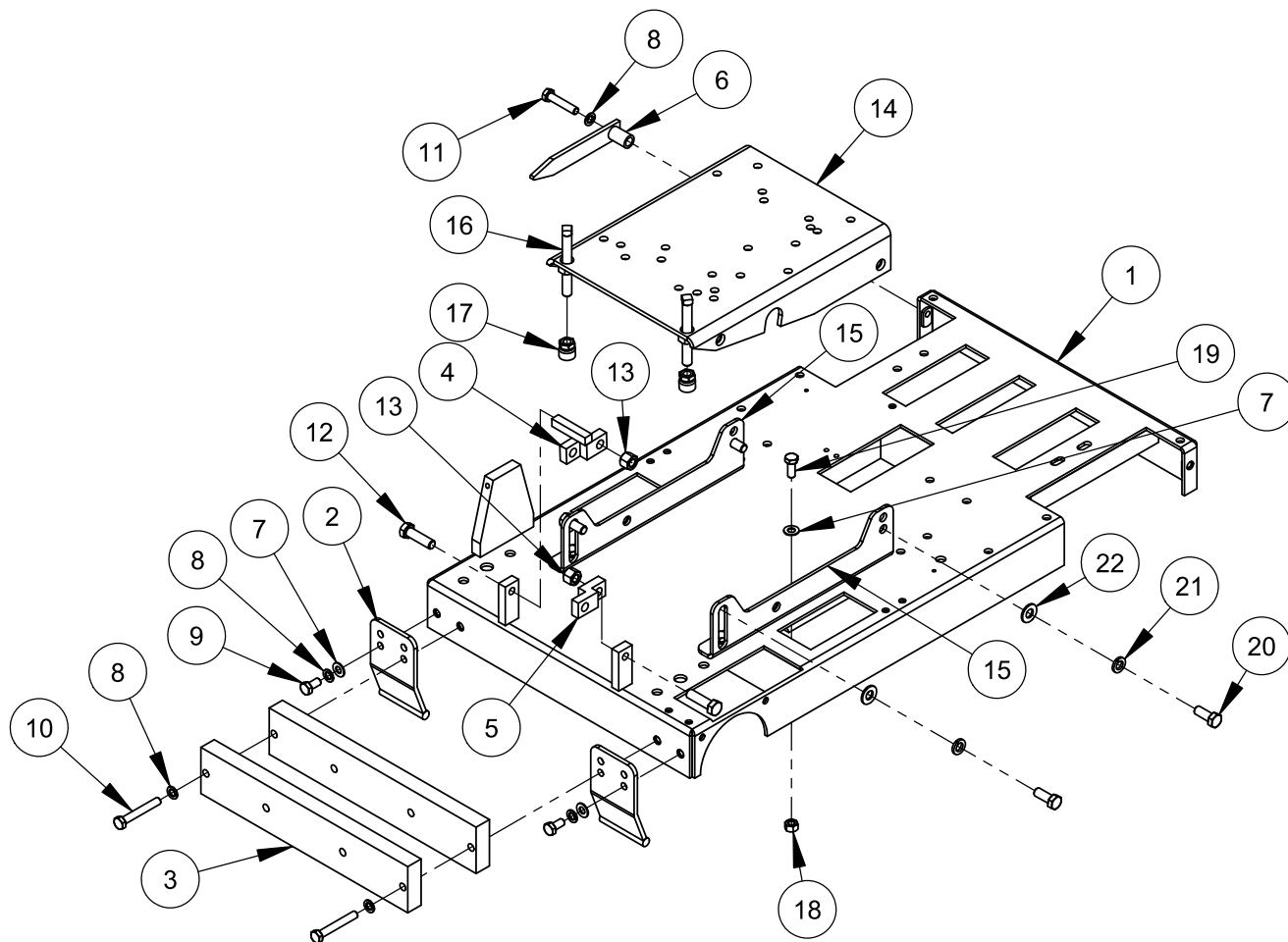
Quick Reference Service Filters/ Belts

| <u>DP Part No.</u> | <u>Description</u> | <u>Manufacturer's Part No.</u> |
|--------------------|---|--------------------------------|
| 2501211 | Air Filter for 18HP (GX630), 20.5 HP Honda (GX660), 22.2 HP Honda (GX690) | (Donaldson #P821575) |
| 2704135 | Air Filter for 27HP Kohler | (Gardner #2508301-S) |
| 2703594 | Fuel Filter for 18HP (GX630), 20.5 HP Honda (GX660), 22.2HP Honda (GX690) | (Honda #16910-Z6L-003) |
| 2704137 | Fuel Filter for 27HP Kohler | (Gardner #KH2405013-S) |
| 2702741 | Oil Filter for 18HP (GX630), 20.5 HP Honda (GX660) 22.2 HP Honda (GX690) | (Honda #15400-PLM-A01PE) |
| 2704136 | Oil Filter for 27HP Kohler | (Gardner #5205002-S) |
| 2500792 | Blade Shaft Belt (4) for Honda Engines | (Gates #3VX400) |
| 2500793 | Blade Shaft Belt (4) for Kohler Engine | (Gates #3VX425) |
| 2500849 | Transmission Belt for All Gas Engines | (Gates #4L-500) |

TABLE OF CONTENTS

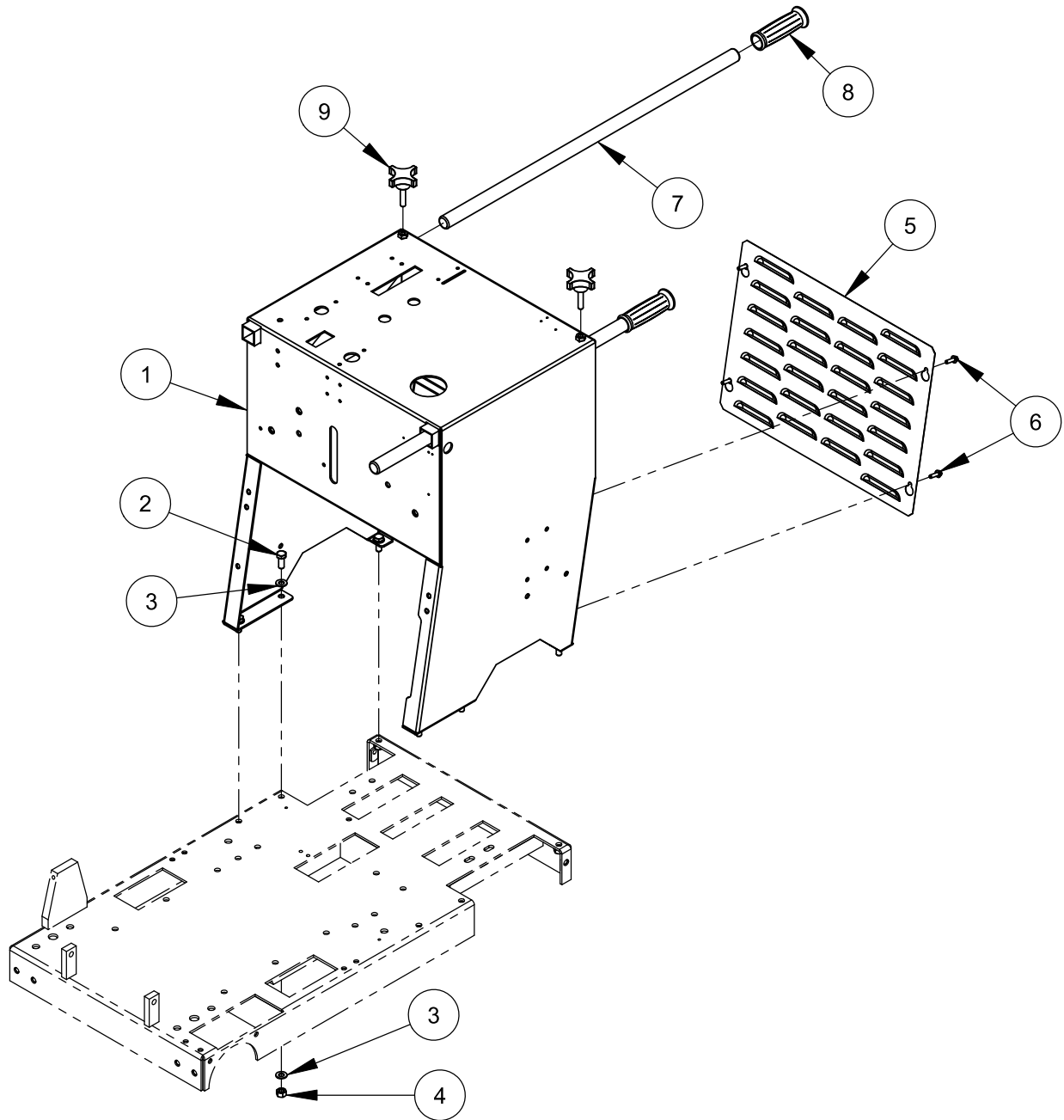
| | | | |
|--|-------|---|------------|
| Frame Base Assembly | 4 | Wiring Diagram, Honda V-Twin..... | 46 |
| Upright Assembly | 5 | Water Safety Switch, Honda V-Twin | 47 |
| Control Panel Assembly | 6 | Water Safety Switch, Non-Honda..... | 48 |
| Belt Shield Assembly | 7 | Hydraulic Power Raise Option Wiring Diagram | 49 |
| Depth Indicator Assembly | 8 | Electric Power Raise Option Wiring Diagram | 50 |
| Water Supply Assembly | 9 | Decals | 51 |
| Frame Lift Assembly | 10 | Blade/Engine Speed Chart..... | 52 |
| Front Pointer Assembly | 11 | Warranty | Rear Cover |
| Screw Feed Assembly..... | 12-13 | | |
| Front Axle Assembly..... | 14 | | |
| Blade Shaft Assembly, 14-20" | 15 | | |
| Blade Shaft Assembly, 26" | 16 | | |
| Rear Axle Assembly | 17 | | |
| Transmission Assembly..... | 18-19 | | |
| Fuel System | 20 | | |
| Battery Assembly | 21 | | |
| Engine Assembly, 18HP Honda (GX630)..... | 22-23 | | |
| Engine Assembly, 20.5HP Honda (GX660)..... | 24-25 | | |
| Engine Assembly, 22.2HP Honda (GX690)..... | 26-27 | | |
| Muffler Assembly, Honda | 28 | | |
| Engine Assembly, 27HP Kohler..... | 30-31 | | |
| Muffler Assembly, 27HP Kohler..... | 32 | | |
| Blade Guard 14" | 34-35 | | |
| Blade Guard 20" | 36-37 | | |
| Blade Guard 26" | 38-39 | | |
| Hydraulic Power Raise Option | 40-41 | | |
| Electric Power Raise Option..... | 42-43 | | |
| Water Pump Option | 44 | | |
| Spot Light Option | 45 | | |

Frame Base Assembly #6047700



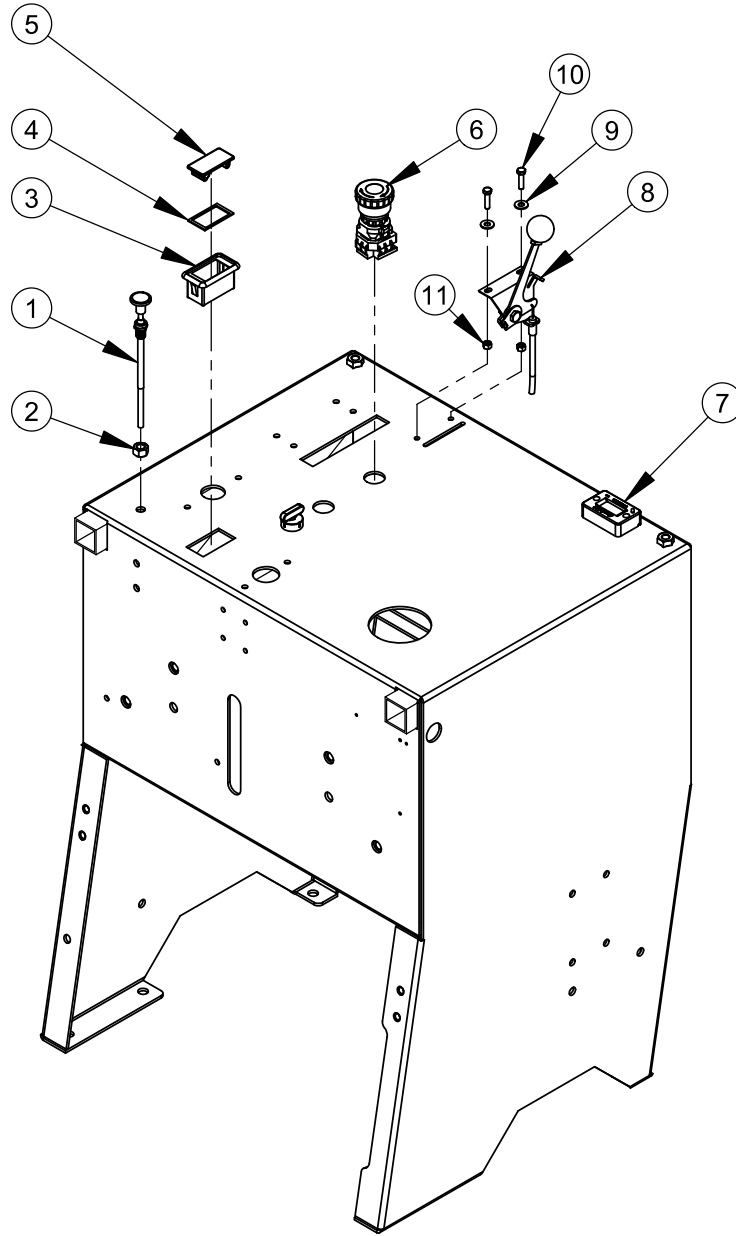
| ITEM | PART NO. | QTY. | DESCRIPTION |
|------|----------|------|-------------------------------------|
| 1 | 6047900A | 1 | Frame Base |
| 2 | 6011021 | 2 | Skid Plate |
| 3 | 6048067 | 2 | Saw Weight, 13 Pound |
| 4 | 6047949 | 1 | Pointer Extension with Stop |
| 5 | 6047976 | 1 | Pointer Extension |
| 6 | 6010022 | 1 | Rear Pointer |
| 7 | 2900014 | 8 | Flat Washer, 3/8" SAE |
| 8 | 2900321 | 5 | Lock Washer, M10 Split |
| 9 | 2900314 | 2 | Cap Screw, Hex Hd., M10-1.5 x 20mm |
| 10 | 2900334 | 2 | Cap Screw, Hex Hd., M10-1.5 x 70mm |
| 11 | 2900318 | 1 | Cap Screw, Hex Hd., M10-1.5 x 50mm |
| 12 | 2900139 | 2 | Cap Screw, Hex Hd., 1/2-13 x 1-3/4" |
| 13 | 2900026 | 2 | Lock Nut, 1/2-13 Nylon |
| 14 | 6041164 | 1 | Engine Base Assembly |
| 15 | 6047909 | 2 | Engine Base Mount |
| 16 | 2900027 | 2 | Set Screw, Sq. Hd., 1/2-13 x 4" |
| 17 | 2900722 | 2 | Swivel Pad, 1/2-13 |
| 18 | 2900304 | 6 | Lock Nut, M10-1.5 Nylon Insert |
| 19 | 2900333 | 6 | Cap Screw, Hex Hd., M10-1.5 x 25mm |
| 20 | 2900330 | 4 | Cap Screw, Hex Hd., M12-1.75 x 30mm |
| 21 | 2900084 | 4 | Lock Washer, 1/2" Split |
| 22 | 2900058 | 4 | Flat Washer, 1/2" SAE |

Upright Assembly #6047701



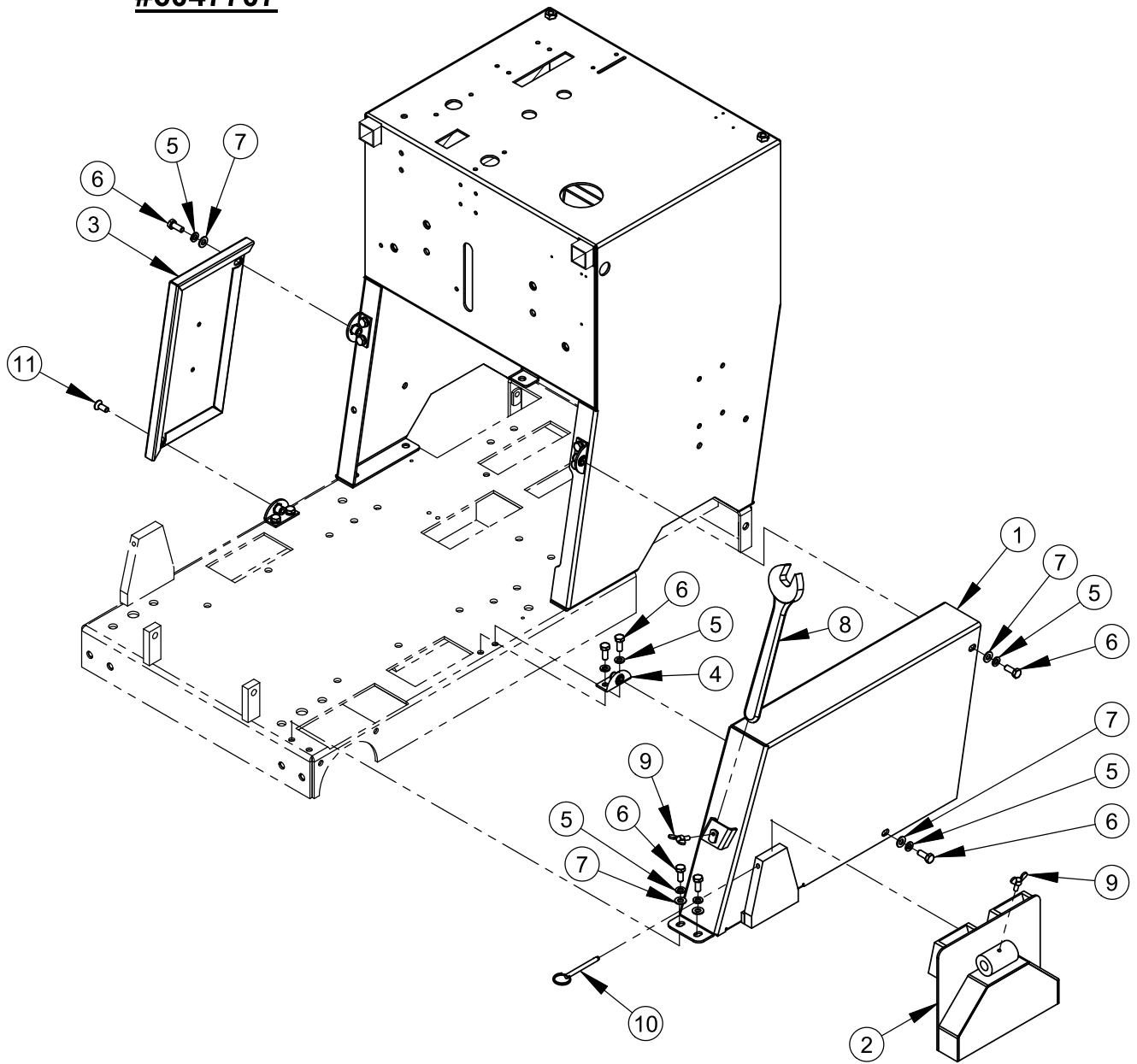
| ITEM PART | NO. | QTY. | DESCRIPTION |
|-----------|---------|------|--------------------------------------|
| 1 | 6047901 | 1 | Frame Upright Weldment |
| 2 | 2900333 | 6 | Cap Screw, Hex Hd., M10 x 25mm |
| 3 | 2900014 | 12 | Flat Washer, 3/8" SAE |
| 4 | 2900304 | 6 | Lock Nut, M10-1.5 Nylon Insert |
| 5 | 6047919 | 1 | Rear Cover Screen |
| 6 | 2900328 | 4 | Cap Screw, Hex Flange Hd., M6 x 20mm |
| 7 | 6013054 | 2 | Handle Bar, 30" Long |
| 8 | 2500636 | 2 | Handle Grip |
| 9 | 2900234 | 2 | Hand Lock Knob, 3/8"-16 |

Control Panel Assembly (Gas) #6047708



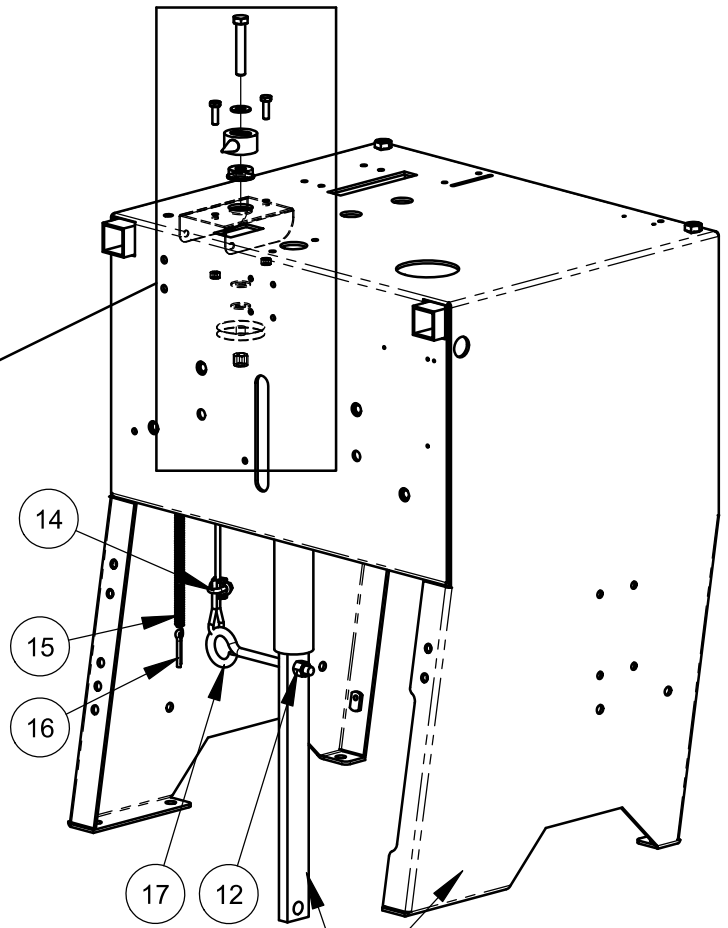
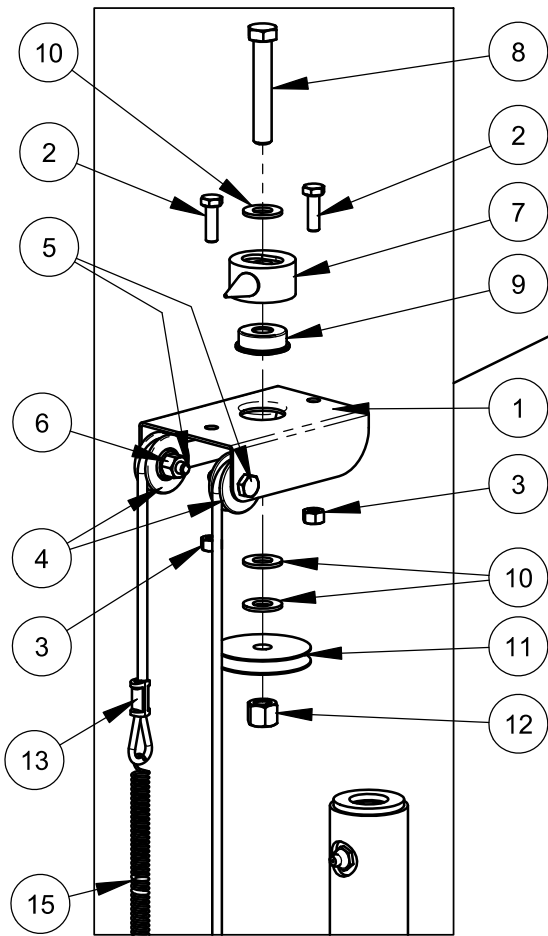
| ITEM | PART NO. | QTY. | DESCRIPTION |
|------|----------|------|-----------------------------------|
| 1 | 2500377 | 1 | Choke Cable |
| 2 | 2900148 | 1 | Hex Nut, 3/8-24 |
| 3 | 2800260 | 1 | Rocker Mount Panel |
| 4 | 2800261 | 1 | Rocker Panel Gasket |
| 5 | 2800262 | 1 | Rocker Mount Panel Plug |
| 6 | 2801367 | 1 | E-Stop Switch |
| 7 | 2801502 | 1 | Tach/Hour Meter, W/#6 Screws |
| 8 | 2500810 | 1 | Throttle Control, 36" |
| 9 | 2900016 | 2 | Flat Washer, #10 USS |
| 10 | 2900309 | 2 | Cap Screw, Hex Hd., M5-0.8 x 20mm |
| 11 | 2900301 | 2 | Lock Nut, M5-0.8 Nylon Insert |

Belt and Shield Guard Assembly
#6047707



| ITEM | PART NO. | QTY. | DESCRIPTION |
|------|----------|------|--------------------------------------|
| 1 | 6047917A | 1 | Belt Guard Weldment |
| 2 | 6010555 | 1 | Shaft/Flange Guard (Narrow) |
| 3 | 6048062 | 1 | Slurry Shield |
| 4 | 6048064 | 4 | Guard Mounting Tab Assembly, 90 Deg. |
| 5 | 2900031 | 13 | Lock Washer, 5/16" Split |
| 6 | 2900329 | 13 | Cap Screw, Hex Hd., M8-1.25 x 20mm |
| 7 | 2900022 | 5 | Flat Washer, 5/16" SAE |
| 8 | 2500211 | 1 | Wrench, 15/16" Open End |
| 9 | 2900307 | 2 | Wing Screw, M6 x 16mm |
| 10 | 2900156 | 1 | Lock Pin with Ring |
| 11 | 2900611 | 1 | Cap Screw, Flat Hd., M8-1.25 x 20mm |

6047946 CC2500
Depth Indicator Assembly

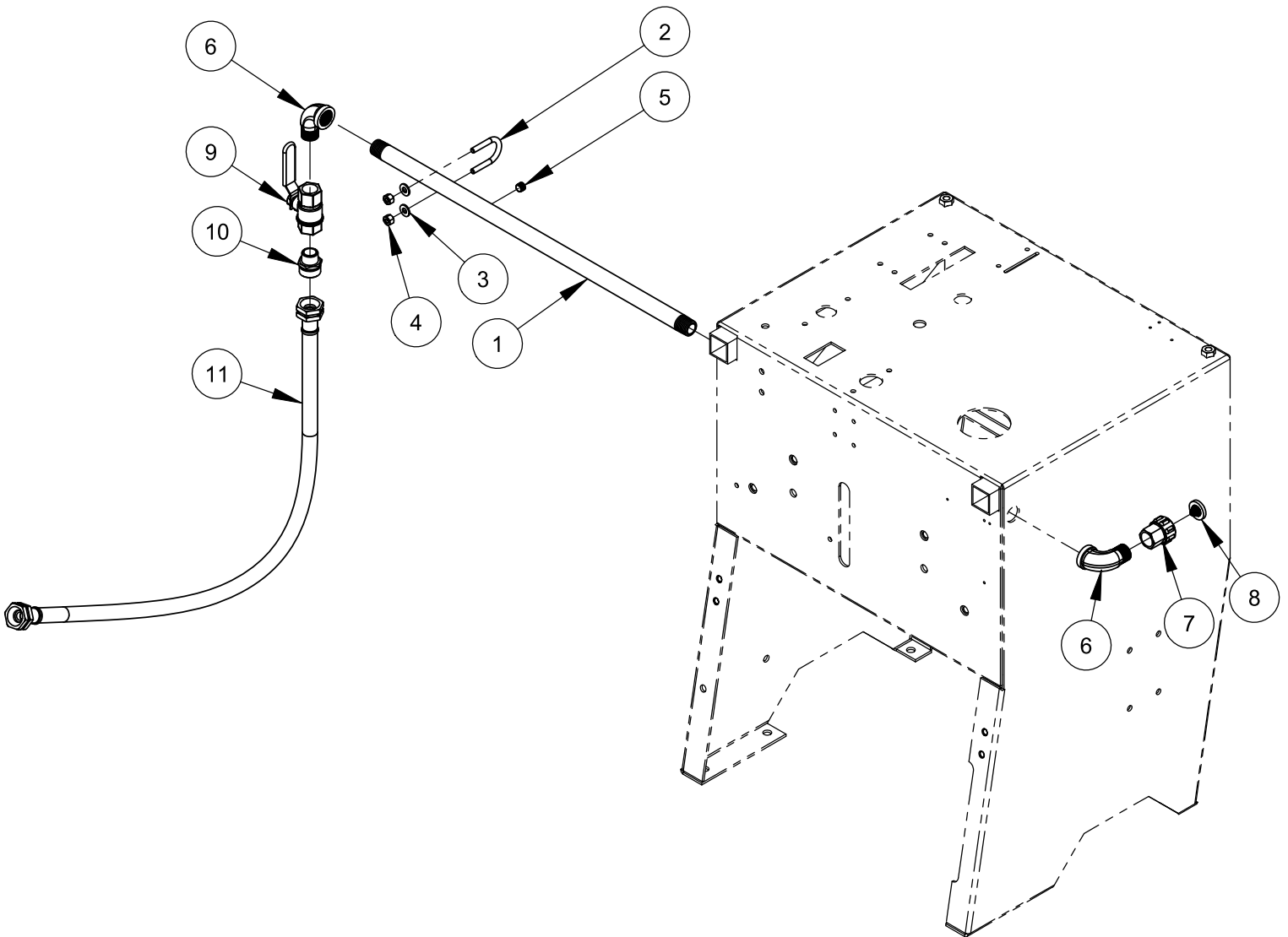


Shown as Reference

DETAIL A
SCALE 1 : 4

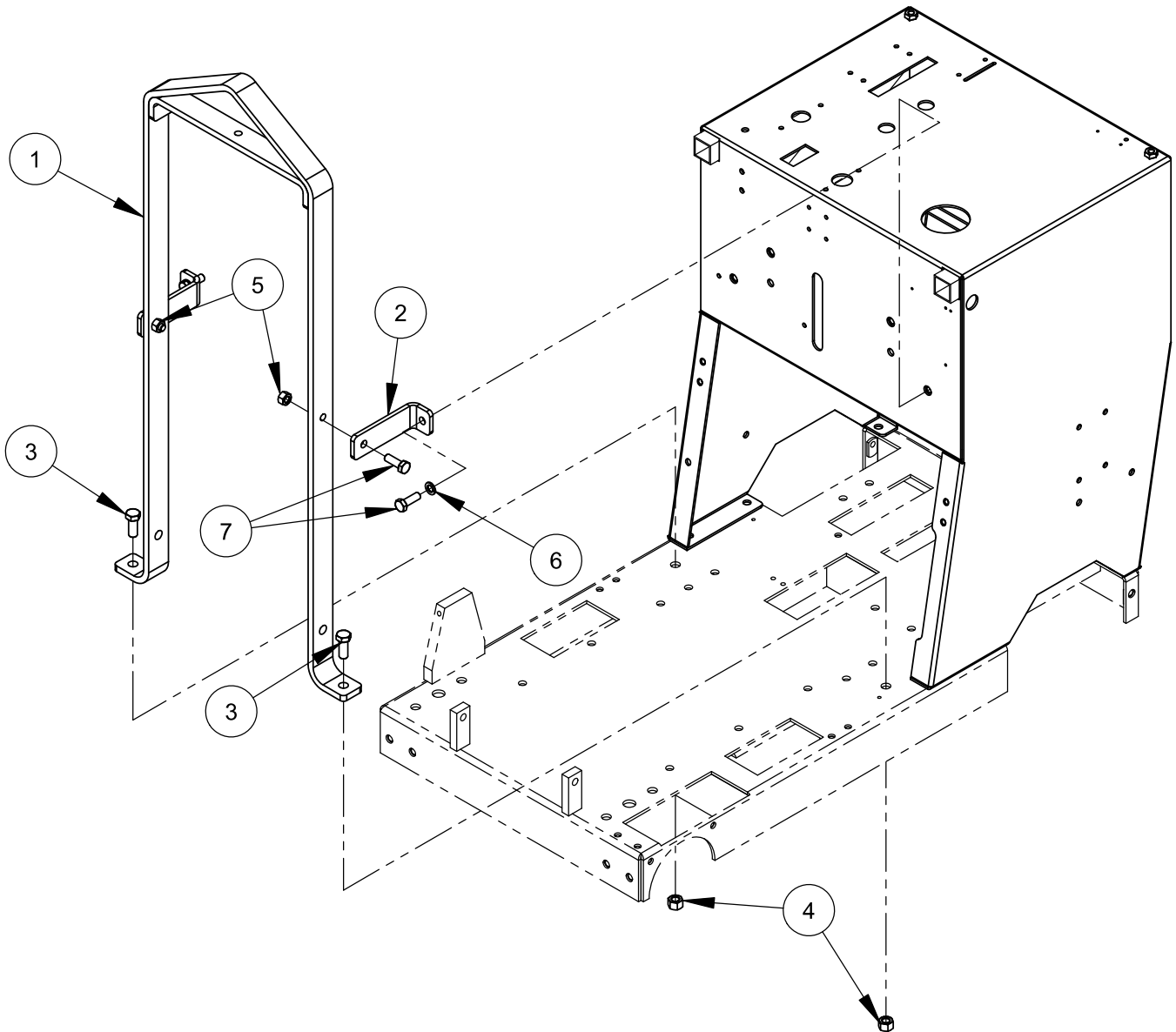
| ITEM | PART NO. | QTY. | DESCRIPTION |
|------|----------|------|-------------------------------------|
| 1 | 6010092 | 1 | Depth Indicator Mount Bracket |
| 2 | 2900310 | 2 | Cap Screw, Hex Hd., M6-1.0 x 20mm |
| 3 | 2900302 | 2 | Lock Nut, M6-1.0 Nylon Insert |
| 4 | 2500155 | 2 | Cable Pulley, 1-1/4" |
| 5 | 2900008 | 2 | Cap Screw, Hex Hd., 1/4-20 x 1" |
| 6 | 2900010 | 2 | Lock Nut, 1/4-20 Nylon |
| 7 | 6010091 | 1 | Depth Indicator Pointer |
| 8 | 2900079 | 1 | Cap Screw, Hex Hd., 3/8-16 x 2-1/4" |
| 9 | 2500145 | 1 | Flange Bearing, 3/8" |
| 10 | 2900014 | 3 | Flat Washer, 3/8" SAE |
| 11 | 6010093 | 1 | Cable Pulley, 2" |
| 12 | 2900018 | 2 | Locknut, 3/8-16, Nylon |
| 13 | 6047989 | 1 | Depth Indicator Cable |
| 14 | 2500214 | 1 | Cable Clamp |
| 15 | 2500799 | 1 | Depth Indicator Spring 11" |
| 16 | 2900055 | 1 | Cotter Pin, 3/16" x 1" |
| 17 | 2900964 | 1 | Eyebolt, 3/8-16 x 6" |

Water Supply Assembly #6047703



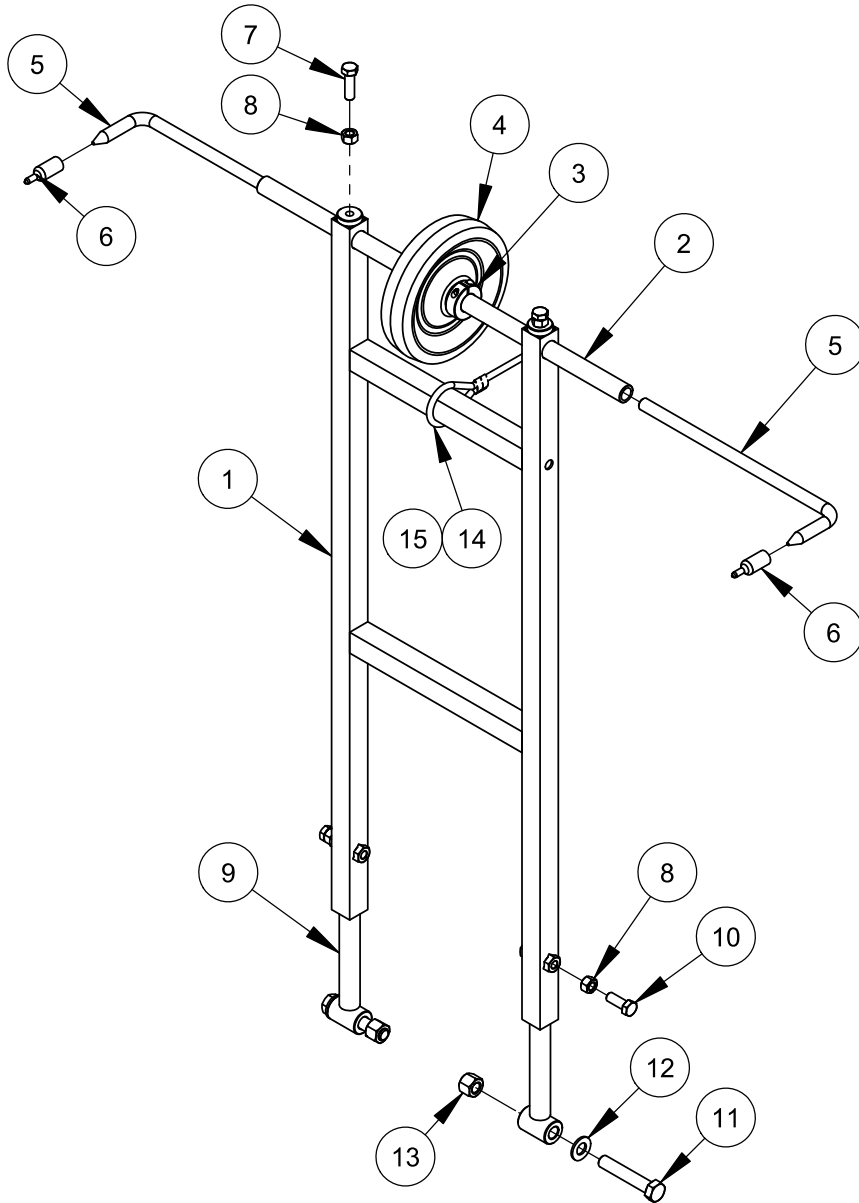
| ITEM PART | NO. | QTY. | DESCRIPTION |
|-----------|---------|------|---|
| 1 | 6047938 | 1 | Water Supply Tube |
| 2 | 2900241 | 1 | U-Bolt, 1/2" Pipe |
| 3 | 2900009 | 2 | Flat Washer, 1/4" SAE |
| 4 | 2900010 | 2 | Lock Nut, 1/4-20 Nylon |
| 5 | 3200001 | 1 | Plug, 1/8" NPT |
| 6 | 3200013 | 2 | Street Elbow, 1/2" NPT |
| 7 | 3200022 | 1 | Fitting, 1/2" F. Pipe to 3/4" F. Garden |
| 8 | 3200025 | 1 | Hose Filter Washer |
| 9 | 3200027 | 1 | Water Valve |
| 10 | 3200155 | 1 | Fitting, 1/2" M. Pipe to 3/4" M. Garden |
| 11 | 6010021 | 1 | Water Hose Assembly, 42" Long |

Frame Lift Assembly #6047706



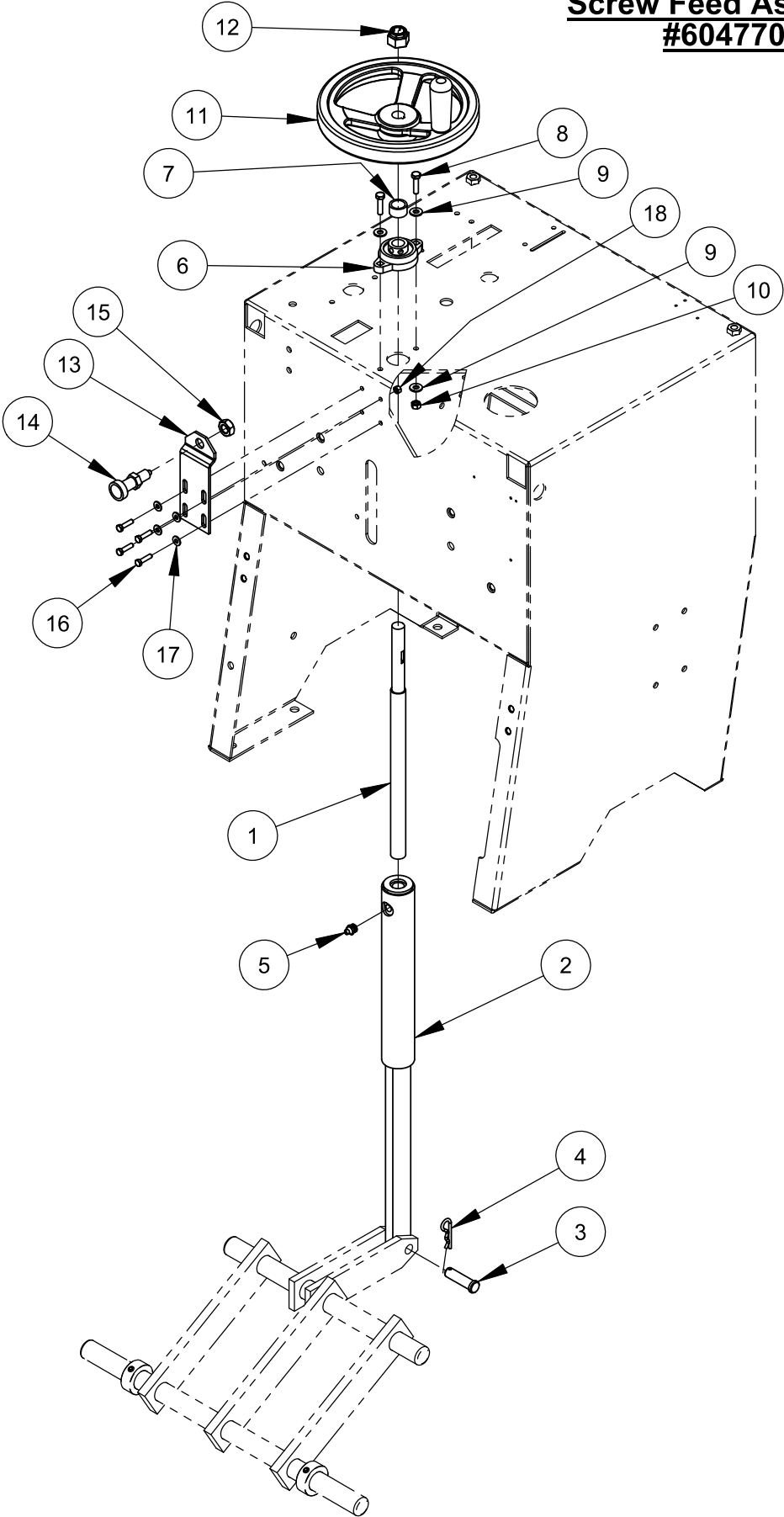
| ITEM PART | NO. | QTY. | DESCRIPTION |
|-----------|---------|------|-------------------------------------|
| 1 | 6047952 | 1 | Frame Lift |
| 2 | 6047953 | 2 | Frame Lift Brace |
| 3 | 2900330 | 2 | Cap Screw, Hex Hd., M12-1.75 x 30mm |
| 4 | 2900327 | 2 | Lock Nut, M12-1.75 Nylon Insert |
| 5 | 2900304 | 2 | Lock Nut, M10-1.5 Nylon Insert |
| 6 | 2900321 | 2 | Lock Washer, M10 Split |
| 7 | 2900223 | 4 | Cap Screw, Hex Hd., M10-1.5 x 30mm |

Dual Front Pointer Assembly #6011540



| ITEM | PART NO. | QTY. | DESCRIPTION |
|------|----------|------|-------------------------------------|
| 1 | 6011537 | 1 | Front Pointer Frame |
| 2 | 6011539 | 1 | Pointer Tube, 20" |
| 3 | 2504577 | 2 | Shaft Collar, 3/4" Split |
| 4 | 2504581 | 1 | Wheel, 6" |
| 5 | 6011535 | 2 | Front Pointer Rod, 11" |
| 6 | 2500740 | 2 | Pointer Cap |
| 7 | 2900013 | 2 | Cap Screw, Hex Hd., 3/8-16 x 1-1/4" |
| 8 | 2900033 | 4 | Hex Nut, 3/8-16 |
| 9 | 6011152 | 2 | Front Pointer Arm |
| 10 | 2900005 | 2 | Cap Screw, Hex Hd., 3/8-16 x 1" |
| 11 | 2900105 | 2 | Cap Screw, Hex Hd., 1/2-13 x 2-3/4" |
| 12 | 2900239 | 2 | Friction Washer, 1/2" |
| 13 | 2900026 | 2 | Lock Nut, 1/2-13 Nylon |
| 14 | 6017241 | 1 | Pointer Rope 11 Foot |
| 15 | 3200221 | 2 | Pinch Clamp, Two Ear |

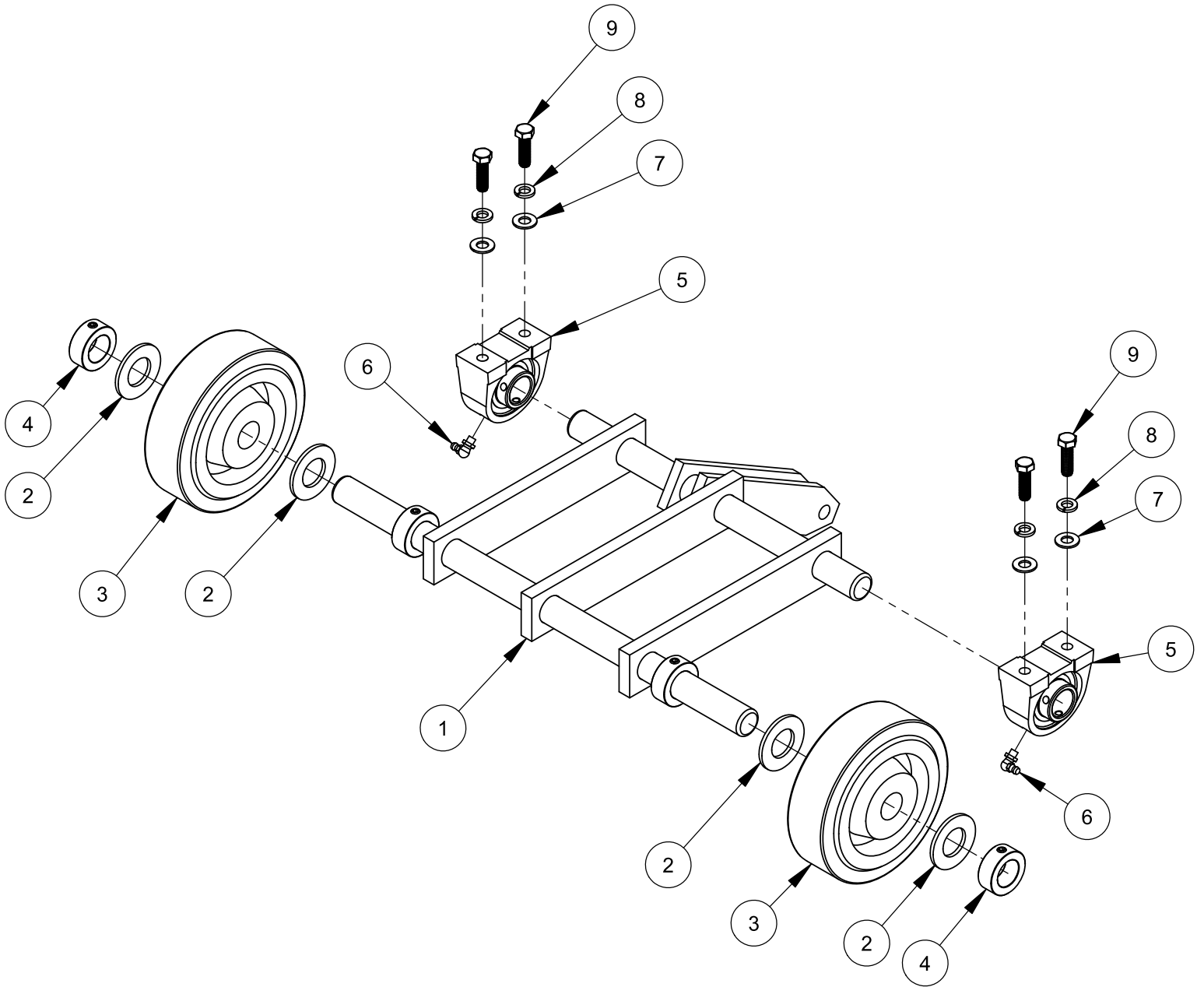
Screw Feed Assembly
#6047702



Screw Feed Assembly
#6047702

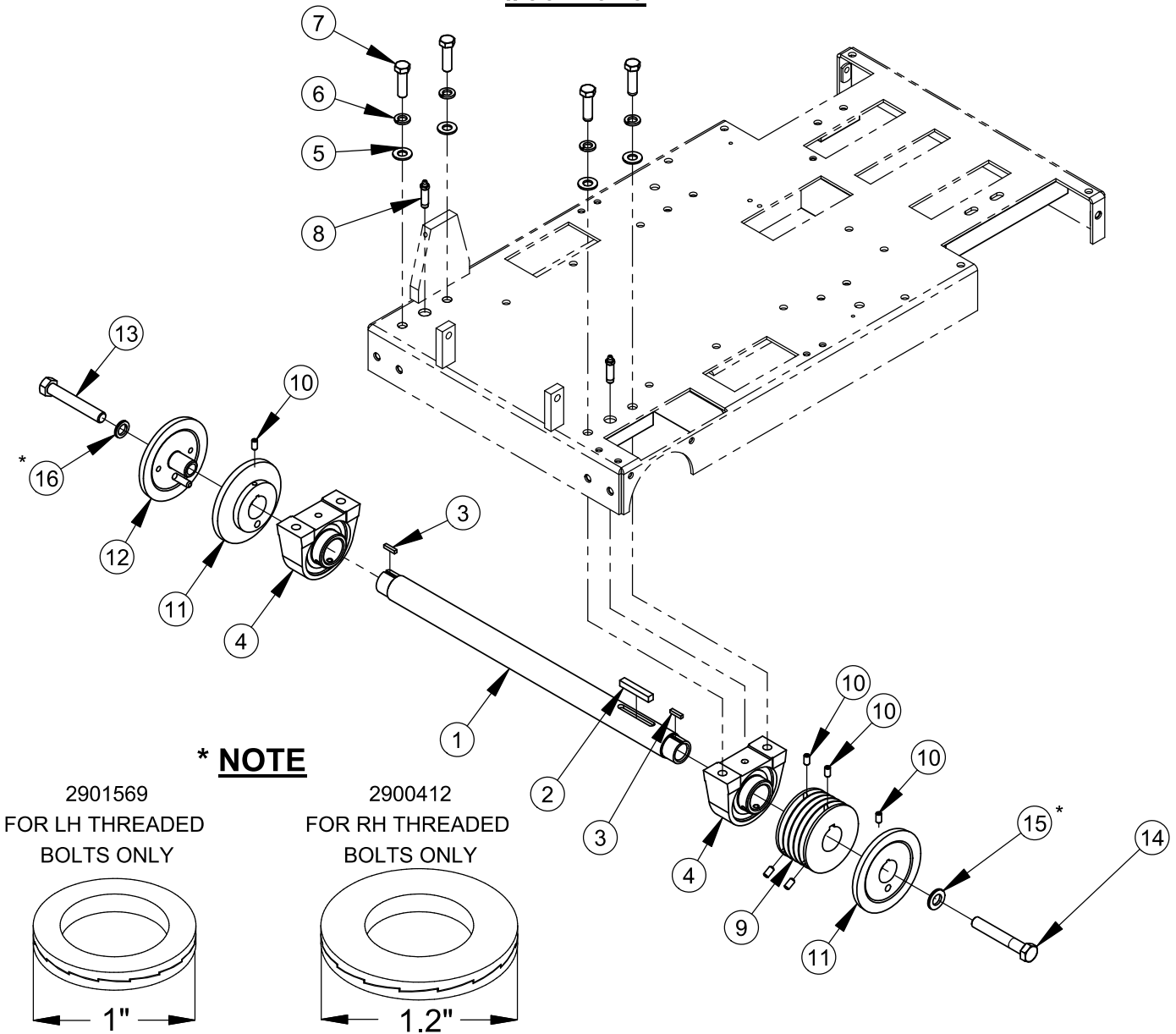
| ITEM PART | NO. | QTY. | DESCRIPTION |
|-----------|---------|------|-------------------------------------|
| 1 | 6047929 | 1 | Adjustment Screw |
| 2 | 6047927 | 1 | Adjustment Shaft |
| 3 | 2900354 | 1 | Clevis Pin, 1/2" x 1-3/4" |
| 4 | 2900276 | 1 | Hairpin Cotter, 1/8" x 1/2" to 3/4" |
| 5 | 2900062 | 1 | Grease Fitting, 1/8" NPT |
| 6 | 2500807 | 1 | Bearing, 5/8", Two Bolt Flange |
| 7 | 6047931 | 1 | Spacer Tube 7/8 x 1/2 |
| 8 | 2900311 | 2 | Cap Screw, Hex Hd., M6 x 25mm |
| 9 | 2900009 | 4 | Flat Washer, 1/4" SAE |
| 10 | 2900302 | 2 | Lock Nut, M6 Nylon |
| 11 | 2500800 | 1 | Handwheel, 8" x 5/8" |
| 12 | 2900355 | 1 | Lock Nut, 5/8-18, Flex Top |
| 13 | 6047216 | 1 | Bracket, Handwheel Lock |
| 14 | 2400138 | 1 | Indexing Plunger, 1/2-13 UNC |
| 15 | 2900129 | 1 | Jam Nut, 1/2-13 |
| 16 | 2900309 | 4 | Cap Screw, Hex Hd., M5 x 20mm |
| 17 | 2900016 | 4 | Flat Washer, #10 USS |
| 18 | 2900301 | 4 | Lock Nut, M5 Nylon |

Front Axle Assembly #6047936



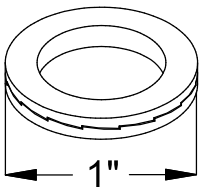
| ITEM | PART NO. | QTY. | DESCRIPTION |
|------|----------|------|------------------------------------|
| 1 | 6047902 | 1 | Front Axle Weldment |
| 2 | 2900295 | 4 | Flat Washer, 1" SAE |
| 3 | 2500299 | 2 | Wheel, 6" X 2" X 1" |
| 4 | 2500009 | 2 | Set Collar, 1" ID |
| 5 | 2500732 | 2 | Pillow Block Bearing 1" |
| 6 | 2900061 | 2 | Grease Fitting, 1/4-28 x 90 Degree |
| 7 | 2900014 | 4 | Flat Washer, 3/8" SAE |
| 8 | 2900006 | 4 | Lock Washer, 3/8" Split |
| 9 | 2900013 | 4 | 3/8-16 X 1.25" Hex Cap Screw |

**Blade Shaft Assembly (14, 20" Gas/Electric, 26" Hydraulic)
#6047940**

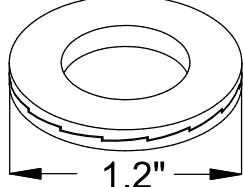


*** NOTE**

2901569
FOR LH THREADED
BOLTS ONLY



2900412
FOR RH THREADED
BOLTS ONLY

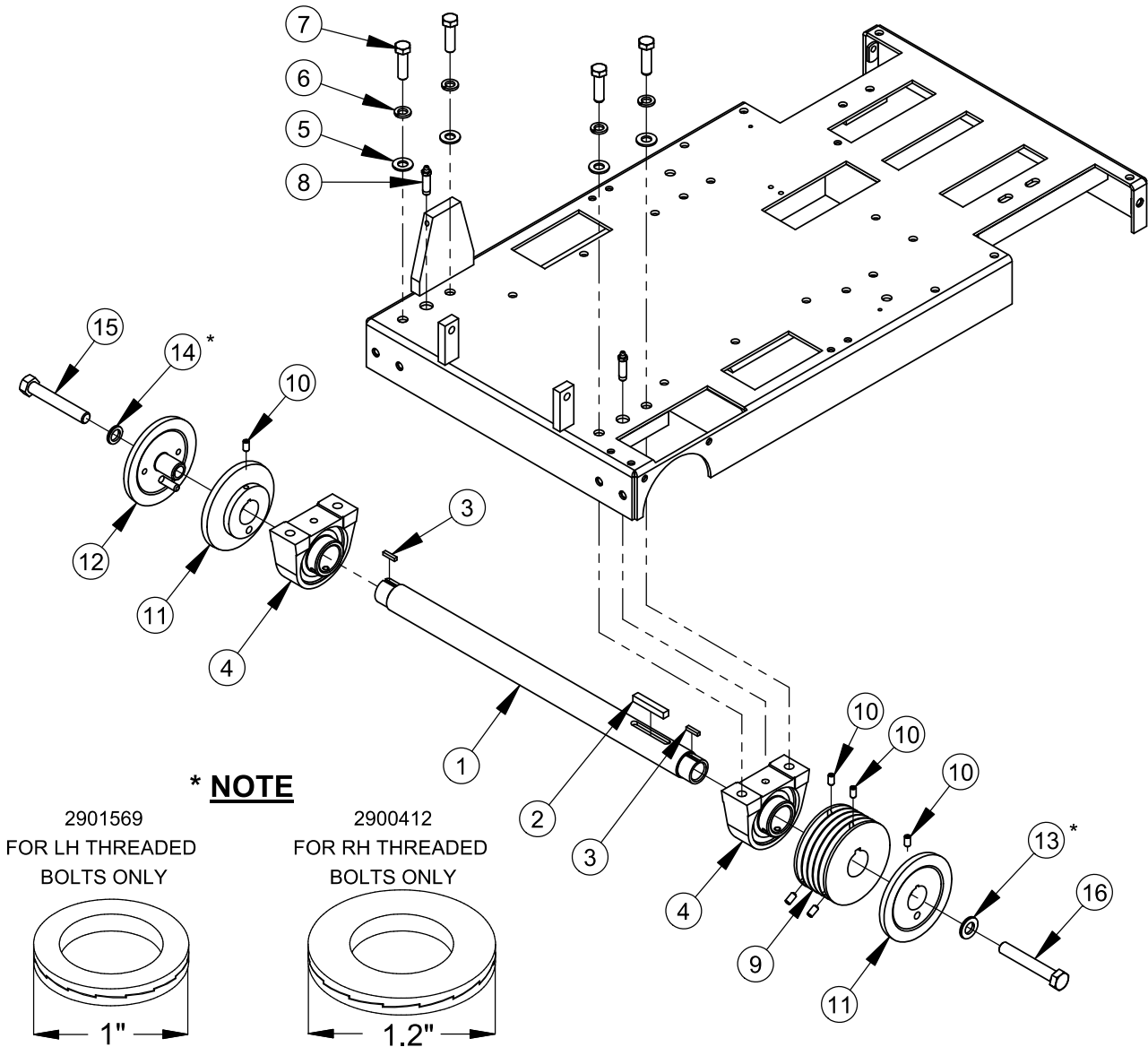


| ITEM | PART NO. | QTY. | DESCRIPTION |
|------|----------|------|-------------------------------------|
| 1 | 6047905 | 1 | Blade Shaft |
| 2 | 6047959 | 1 | Key, 3/8" Sq. x 2-1/4" |
| 3 | 6047978 | 2 | Key, 3/16" Sq. x 27/32" |
| 4 | 2500731 | 2 | Pillow Block Bearing 1-1/2" |
| 5 | 2900058 | 4 | Flat Washer, 1/2" SAE |
| 6 | 2900084 | 4 | Lock Washer, 1/2" Split |
| 7 | 2900139 | 4 | Cap Screw, Hex Hd., 1/2-13 x 1-3/4" |
| 8 | 2900264 | 2 | Grease Fitting, 1/8" NPT x 1-3/4" |
| 9 | 6047947 | 1 | Sheave, 4.12" x 1-1/2" Bore |
| 10 | 2900418 | 6 | Set Screw, Soc. Hd., 5/16-18 x 5/8" |
| 11 | 6047906 | 2 | Inner Flange 5" |
| 12 | 6047907 | 1 | Outer Flange 5" with Pin |
| 13 | 2900130 | 1 | Cap Screw, Hex Hd., 5/8-11 x 4" LH |
| 14 | 2900146 | 1 | Cap Screw, Hex Hd., 5/8-11 x 4" |
| 15 | 2900412 | 1 | Lock Washer, Wedge 5/8" |
| 16 | 2901569 | 1 | Lock Washer, Wedge 5/8" LH |

* See Note

* See Note

Blade Shaft Assembly (26" Gas/Electric) #6047941

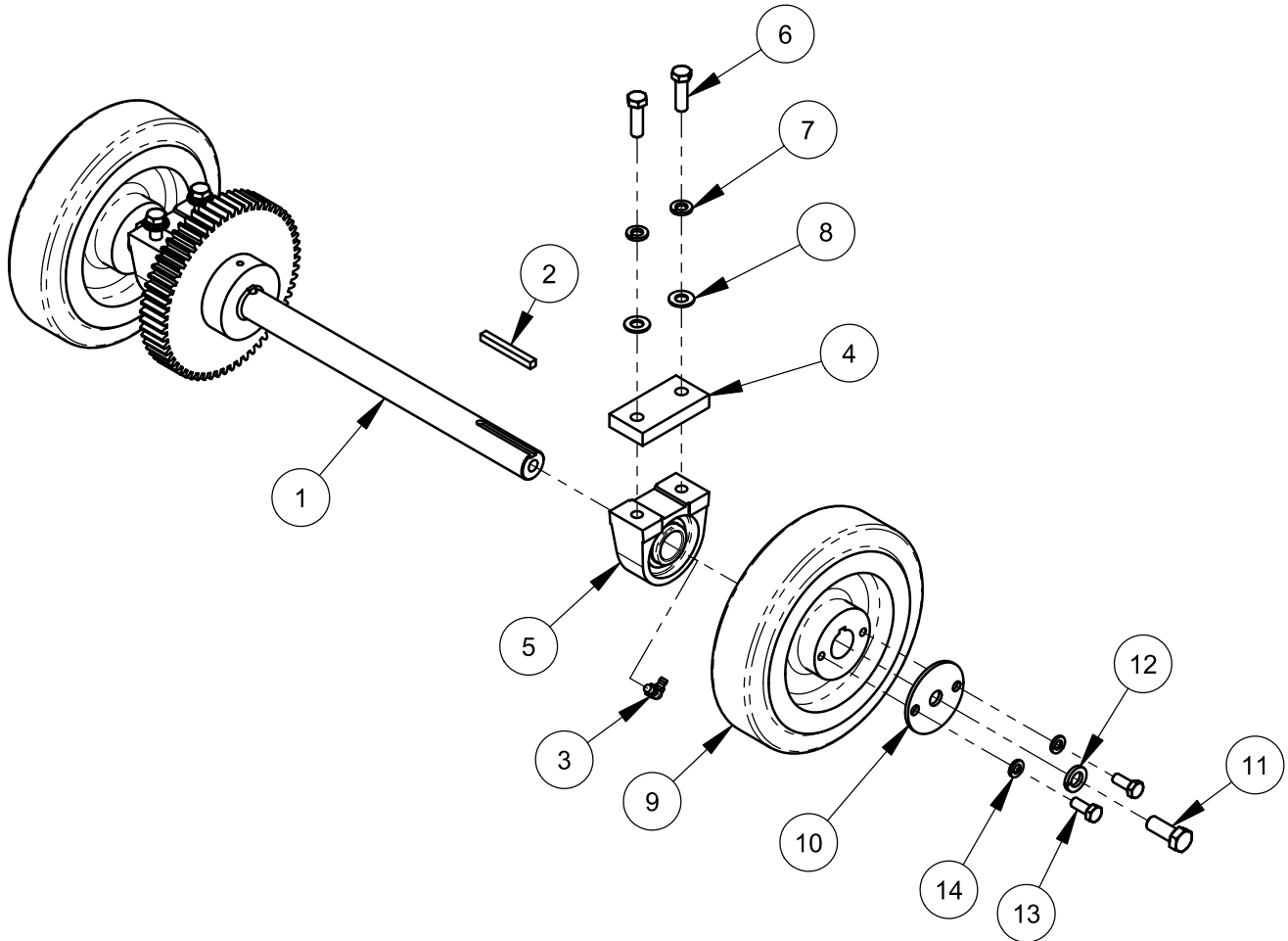


| ITEM | PART NO. | QTY. | DESCRIPTION |
|------|----------|------|-------------------------------------|
| 1 | 6047905 | 1 | Blade Shaft |
| 2 | 6047959 | 1 | Key, 3/8" Sq. x 2-1/4" |
| 3 | 6047978 | 2 | Key, 3/16" Sq. x 27/32" |
| 4 | 2500731 | 2 | Pillow Block Bearing 1-1/2" |
| 5 | 2900058 | 4 | Flat Washer, 1/2" SAE |
| 6 | 2900084 | 4 | Lock Washer, 1/2" Split |
| 7 | 2900139 | 4 | Cap Screw, Hex Hd., 1/2-13 x 1-3/4" |
| 8 | 2900264 | 2 | Grease Fitting, 1/8" NPT x 1-3/4" |
| 9 | 6047948 | 1 | Sheave, 4.75" x 1-1/2" Bore |
| 10 | 2900418 | 6 | Set Screw, Soc. Hd., 5/16-18 x 5/8" |
| 11 | 6047906 | 2 | Inner Flange 5" |
| 12 | 6047907 | 1 | Outer Flange 5" with Pin |
| 13 | 2900412 | 1 | Lock Washer, Wedge 5/8" |
| 14 | 2901569 | 1 | Lock Washer, Wedge 5/8" LH |
| 15 | 2900130 | 1 | Cap Screw, Hex Hd., 5/8-11 x 4" LH |
| 16 | 2900146 | 1 | Cap Screw, Hex Hd., 5/8-11 x 4" |

* See Note

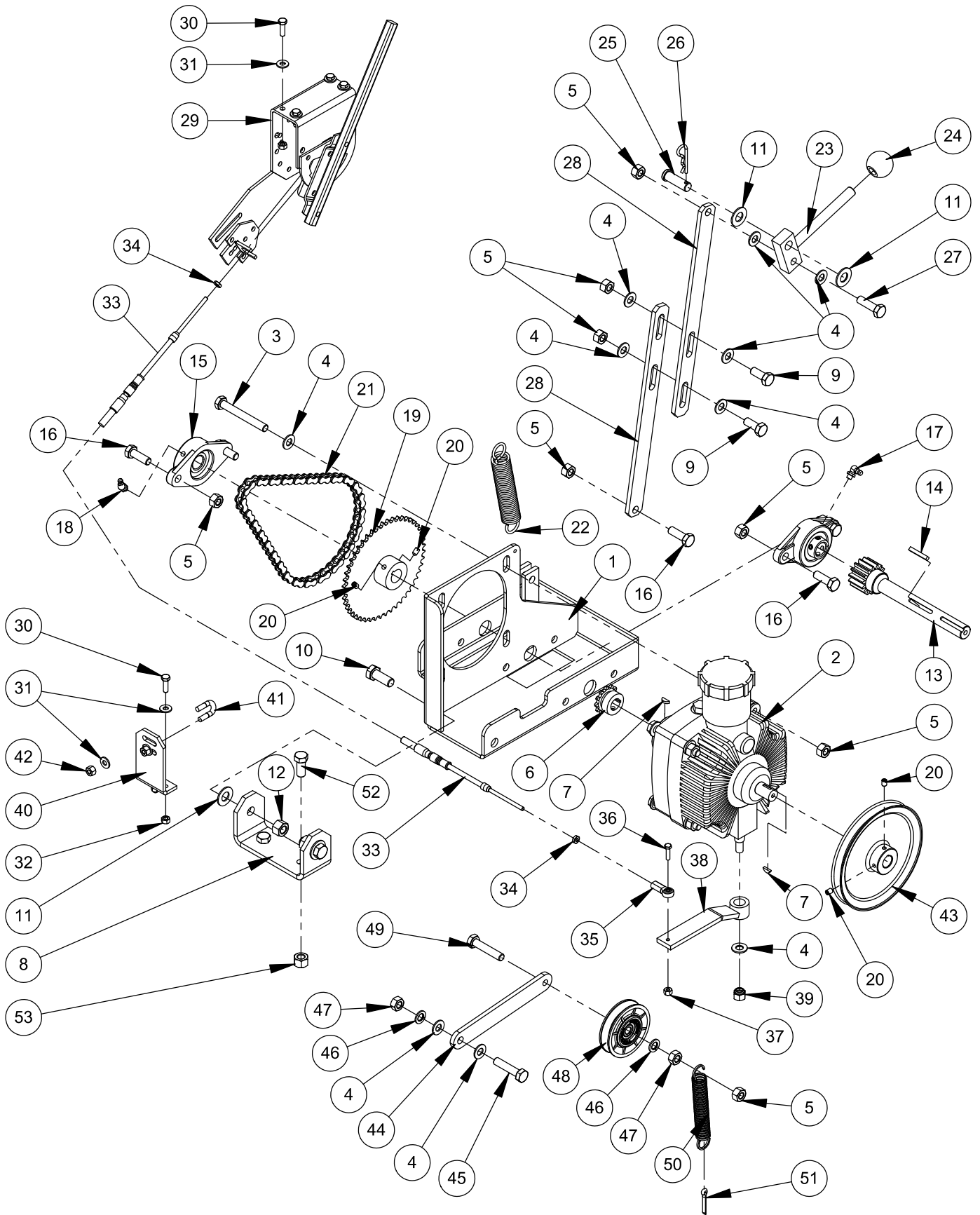
* See Note

Rear Axle Assembly #6047993



| ITEM | PART NO. | QTY. | DESCRIPTION |
|------|----------|------|--|
| 1 | 6047982 | 1 | Rear Axle Weldment w/ 60 Tooth Spur Gear |
| 2 | 6048134 | 2 | Key, 1/4" Sq. x 2-1/4" |
| 3 | 2900061 | 2 | Grease Fitting, 1/4-28 x 90 Degree |
| 4 | 6047904 | 1 | Axle Bearing Spacer 1/2" |
| 5 | 2500732 | 2 | Pillow Block Bearing 1" |
| 6 | 2900013 | 4 | Cap Screw, Hex Hd., 3/8-16 x 1-1/4" |
| 7 | 2900006 | 4 | Lock Washer, 3/8" Split |
| 8 | 2900014 | 4 | Flat Washer, 3/8" SAE |
| 9 | 2500724 | 2 | Wheel, 8" Rear |
| 10 | 6010026 | 2 | Wheel Mount Washer |
| 11 | 2900330 | 2 | Cap Screw, Hex Hd., M12-1.75 x 30mm |
| 12 | 2900084 | 2 | Lock Washer, 1/2" Split |
| 13 | 2900329 | 4 | Cap Screw, Hex Hd., M8-1.25 x 20mm |
| 14 | 2900031 | 4 | Lock Washer, 5/16" Split |

Transmission Assembly #6047962

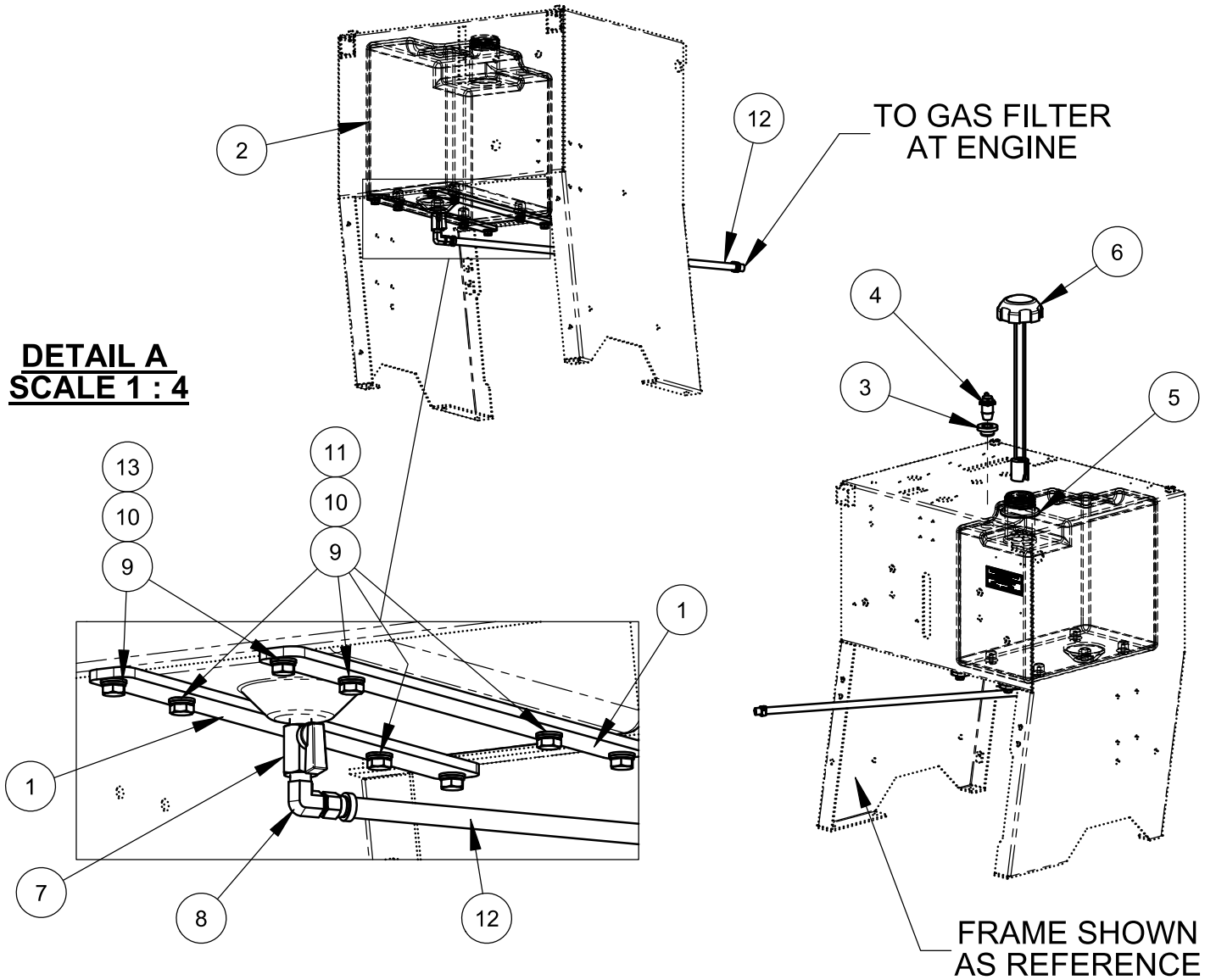


Transmission Assembly #6047962

| ITEM | PART NO. | QTY. | DESCRIPTION |
|------|----------|------|---|
| 1 | 6047923 | 1 | Transmission Platform Weldment |
| 2 | 2600015 | 1 | Eaton 6 Transmission |
| 3 | 2900319 | 4 | Cap Screw, Hex Hd., M10-1.5 x 80mm |
| 4 | 2900014 | 13 | Flat Washer, 3/8" SAE |
| 5 | 2900304 | 13 | Lock Nut, M10-1.5 Nylon Insert |
| 6 | 2500017 | 1 | SProcket, 12 Teeth W/ 1/4 Setscrew |
| 7 | 2900068 | 2 | Woodruff Key #404, 1/8" W x 1/2" Dia. |
| 8 | 6047924 | 1 | Transmission Pivot Support |
| 9 | 2900333 | 2 | Cap Screw, Hex Hd., M10-1.5 x 25mm |
| 10 | 2900330 | 2 | Cap Screw, Hex Hd., M12-1.75 x 30mm |
| 11 | 2900058 | 4 | 1/2 FLAT WASHER |
| 12 | 2900327 | 2 | Lock Nut, M12-1.75 Nylon Insert |
| 13 | 6010080 | 1 | Transmission Jackshaft 15T |
| 14 | 6048229 | 1 | Key, 3/16" Sq. x 1-1/4" |
| 15 | 2500011 | 2 | Flange Mt. Bearing 3/4" |
| 16 | 2900223 | 5 | Cap Screw, Hex Hd., M10-1.5 x 30mm |
| 17 | 2900061 | 1 | Grease Fitting, 1/4-28 x 90 Degree |
| 18 | 2900184 | 1 | Grease Fitting, 1/4" NPT x 45 degree |
| 19 | 2500018 | 1 | Sprocket, 48 Teeth w/ Setscrews |
| 20 | 2900101 | 4 | Set Screw, Soc. Hd., 1/4-20 x 3/8" |
| 21 | 6048232 | 1 | Chain, #35 x 63 Pitch |
| 22 | 2500780 | 1 | Spring, 1" Dia. x 6" |
| 23 | 6048057 | 1 | Engagement Lever |
| 24 | 2400007 | 1 | Knob, 1/2-20 x 1-3/8" Dia. |
| 25 | 2900277 | 1 | Clevis Pin, 1/2" Dia. x 1-1/2" |
| 26 | 2900276 | 1 | Hairpin Cotter, 1/8" x 1/2" to 3/4" |
| 27 | 2900315 | 1 | Cap Screw, Hex Hd., M10-1.5 x 35mm |
| 28 | 6047925 | 2 | Linkage |
| 29 | 2500805 | 1 | Quadco Speed Control |
| 30 | 2900310 | 6 | Cap Screw, Hex Hd., M6-1.0 x 20mm |
| 31 | 2900009 | 8 | Flat Washer, 1/4" SAE |
| 32 | 2900302 | 6 | Lock Nut, M6-1.0 Nylon Insert |
| 33 | 2500806 | 1 | Speed Control Cable |
| 34 | 2900188 | 2 | Hex Nut, #10-32 |
| 35 | 2500791 | 1 | Rod End, #10-32 Female |
| 36 | 2900015 | 1 | Machine Screw, Hex Hd., #10-24 x 3/4" |
| 37 | 2900017 | 1 | Lock Nut, #10-24 Nylon |
| 38 | 6047926 | 1 | Shift Lever |
| 39 | 2900018 | 1 | Lock Nut, 3/8-16 Nylon |
| 40 | 6047943 | 1 | Cable Control Bracket |
| 41 | 2500818 | 1 | Clamp, 3/16" Cable |
| 42 | 2900010 | 2 | Lock Nut, 1/4-20 Nylon |
| 43 | 2500016 | 1 | Pulley, 6" |
| 44 | 6048085 | 1 | Idler Arm |
| 45 | 2900317 | 1 | Cap Screw, Hex Hd., M10-1.5 x 45mm |
| 46 | 2900321 | 2 | Lock Washer, M10 Split |
| 47 | 2900325 | 2 | Hex Nut, M10-1.5 |
| 48 | 2500074 | 1 | Idler Pulley 3" |
| 49 | 2900337 | 1 | Cap Screw, Hex Hd., M10-1.5 x 50mm, Full Thd. |
| 50 | 2500070 | 1 | Spring, Extension, 3/4 Dia x 4 |
| 51 | 2900055 | 1 | Cotter Pin, 3/16" x 1" |
| 52 | 2900407 | 2 | Cap Screw, Hex Hd., 7/16-14 x 1" |
| 53 | 2900045 | 2 | Lock Nut, 7/16-14 Nylon |

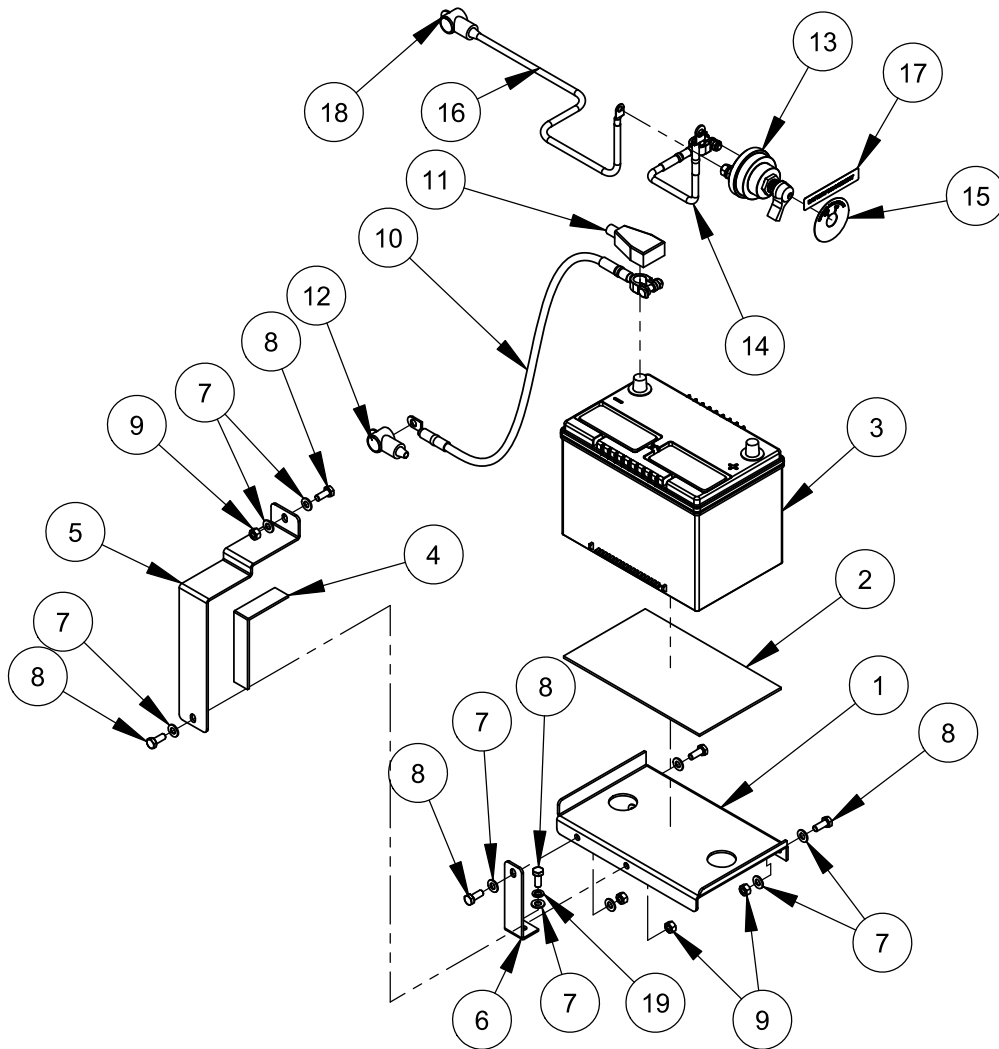
6048292: CC2500 FUEL TANK ASSEMBLY

DETAIL A
SCALE 1:4



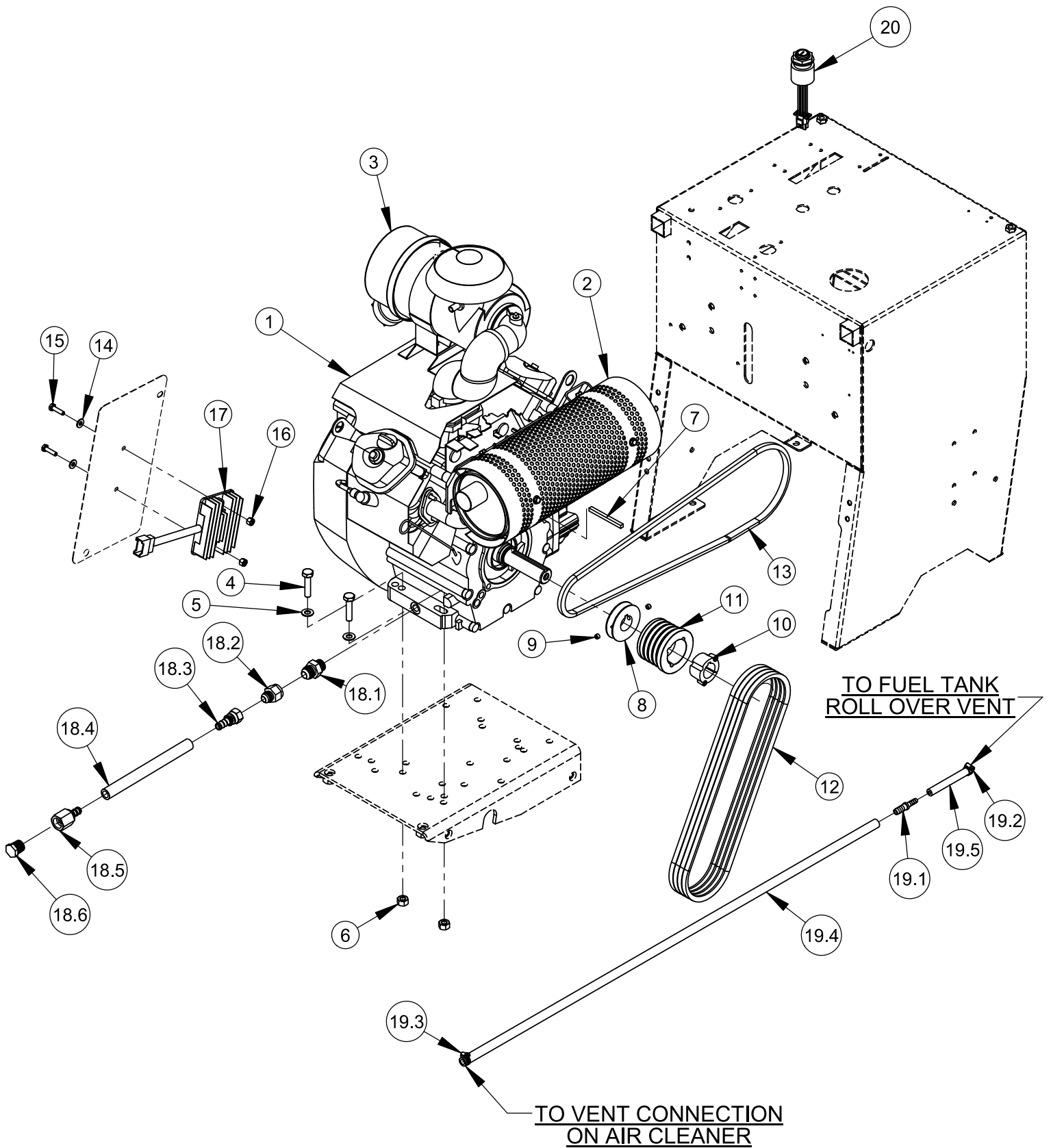
| ITEM | PART NO. | QTY. | DESCRIPTION |
|------|----------|------|------------------------------------|
| 1 | 6047916 | 2 | Fuel Tank Mount Bar |
| 2 | 6010869 | 1 | Fuel Tank, 4.4 Gallon |
| 3 | 2506716 | 1 | Grommet |
| 4 | 2502484 | 1 | Roll Over Vent, 1/4" Hose Barb |
| 5 | 2500205 | 1 | Fuel Tank Grommet |
| 6 | 2503294 | 1 | Fuel Tank Cap, W/Gage |
| 7 | 3200108 | 1 | Ball Valve, 1/4" NPT |
| 8 | 3200057 | 1 | Elbow, 1/4" M. Pipe to 1/4" M. JIC |
| 9 | 2901336 | 8 | Flat Washer, M8 |
| 10 | 2900763 | 8 | Lock Washer, M8 Split |
| 11 | 2900329 | 4 | Cap Screw, Hex Hd., M8-1.25 x 20mm |
| 12 | 6010485 | 1 | Hose Assy., Fuel, 1/4 x 24-1/2" |
| 13 | 2900360 | 4 | Cap Screw, Hex Hd., M8-1.25 x 25mm |
| 14 | 1801716 | 1 | Decal, EPA EVAP Standard |

Battery Assembly #6047958



| ITEM | PART NO. | QTY. | DESCRIPTION |
|------|----------|------|-------------------------------------|
| 1 | 6047920 | 1 | Battery Holder |
| 2 | 6010016 | 1 | Battery Pad |
| 3 | 2700208 | 1 | Battery, 12 Volt Group Size 34 |
| 4 | 6048077 | 1 | Rubber Strip |
| 5 | 6047922 | 1 | Battery Strap |
| 6 | 6047921 | 1 | Battery Support Brace |
| 7 | 2900022 | 10 | Flat Washer, 5/16" SAE |
| 8 | 2900329 | 6 | Cap Screw, Hex Hd., M8-1.25 x 20mm |
| 9 | 2900303 | 5 | Lock Nut, M8-1.25 Nylon Insert |
| 10 | 2800072 | 1 | Battery Cable, 30" Negative (Black) |
| 11 | 2800257 | 1 | Battery Boot, Large (Black) |
| 12 | 2800198 | 1 | Battery Boot, Small (Black) |
| 13 | 2800565 | 1 | Battery Disconnect Switch |
| 14 | 2800572 | 1 | Battery Cable, 9" Positive (Red) |
| 15 | 2800566 | 1 | Face Plate, Battery Disconnect |
| 16 | 6048091 | 1 | Battery Cable Assy., Red |
| 17 | 1800846 | 1 | Label, Battery Disconnect |
| 18 | 2800197 | 1 | Battery Boot, Small (Red) |
| 19 | 2900763 | 1 | Lock Washer, M8 Split |

20.8 HP Honda Engine Assembly 6047705

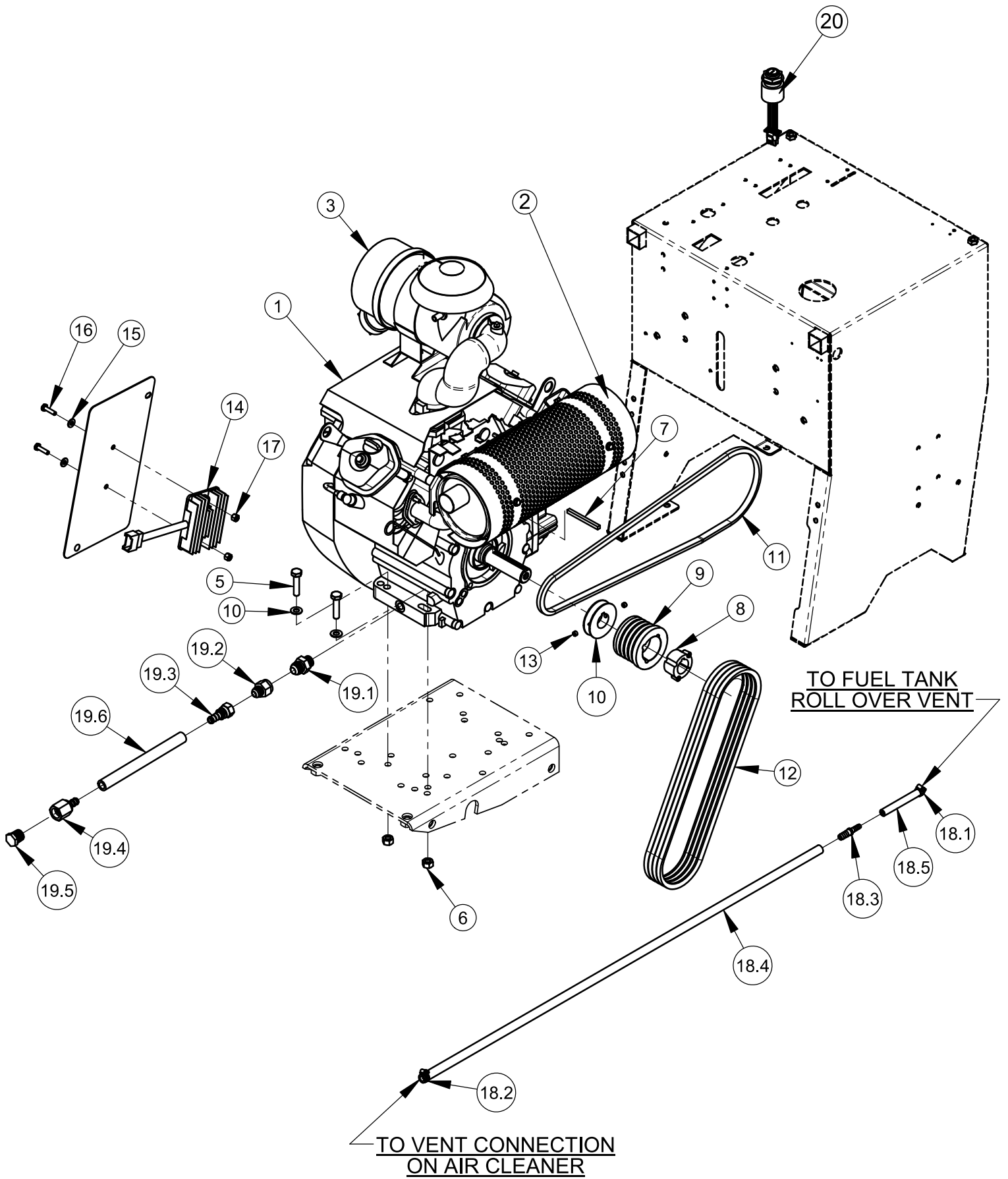


20.8 HP Honda Engine Assembly 6047705

| ITEM | PART NO. | QTY. | DESCRIPTION |
|------|----------|------|---|
| 1 | 2600644 | 1 | Engine, Honda (GX630) |
| 2 | 2703139 | 1 | Muffler Assembly, High Mount, Left |
| 3 | 2703556 | 1 | Air Cleaner Assembly |
| 4 | 2900317 | 4 | Cap Screw, Hex Hd., M10-1.5 x 45mm |
| 5 | 2900014 | 4 | Flat Washer, 3/8" SAE |
| 6 | 2900304 | 4 | Lock Nut, M10-1.5 Nylon Insert |
| 7 | 6047977 | 1 | Key, 1/4" Sq. x 3" |
| 8 | 6048195 | 1 | Pulley, 1-1/8" Bore |
| 9 | 2900036 | 2 | Set Screw, Soc. Hd., 5/16-18 x 1/4" |
| 10 | 2500029 | 1 | Taper Bushing, 1-1/8" with Set Screws |
| 11 | 2500817 | 1 | Sheave, 3.00-3V-4 Groove |
| 12 | 2500792 | 4 | V-Belt, 3VX400 |
| 13 | 2500849 | 1 | V-Belt, 4L-500 |
| 14 | 2900009 | 2 | Flat Washer, 1/4" SAE |
| 15 | 2900008 | 2 | Cap Screw, Hex Hd., 1/4-20 x 1" |
| 16 | 2900010 | 2 | Lock Nut, 1/4-20 Nylon |
| 17 | 2701670 | 1 | Rectifier Assembly |
| 18 | 6048236 | 1 | Oil Drain Hose Assembly |
| 18.1 | 3200462 | 1 | Fitting, M20 x 1.5 to 5/8" M. JIC |
| 18.2 | 3200440 | 1 | Fitting, 5/8" F. to 1/2" M. JIC |
| 18.3 | 3200181 | 1 | Fitting, 1/2" F. JIC to 1/2" Pushlok |
| 18.4 | 6048264 | 1 | Hose, 1/2" I.D. x 8.25" |
| 18.5 | 3200163 | 1 | Fitting, 1/2" F. Pipe to 1/2" Push Lock |
| 18.6 | 3200160 | 1 | Plug, 1/2-14 NPT |
| 19 | 6011650 | 1 | Vent Hose Assy., 1/4"-3/8"x40" |
| 19.1 | 3202925 | 1 | 1/4" to 3/8" Hose Barb |
| 19.2 | 3200062 | 1 | Hose Clamp #4 |
| 19.3 | 3200390 | 1 | Hose Clamp #6 |
| 19.4 | 6011649 | 1 | Fuel Hose Assy., 3/8"x40" |
| 19.5 | 6010218 | 1 | Fuel Line Hose, 1/4" I.D. x 4" |
| ● 20 | 6049059 | 1 | Wire Harness Assembly, Honda |

— **6049059** INCLUDES THE IGNITION SWITCH ASSEMBLY **6049057**
AND THE ENGINE TO IGNITION SWITCH HARNESS ASSEMBLY **6040958**
BOTH ARE AVAILABLE SEPARATELY.

20.5 HP Honda Engine Assembly 6047704

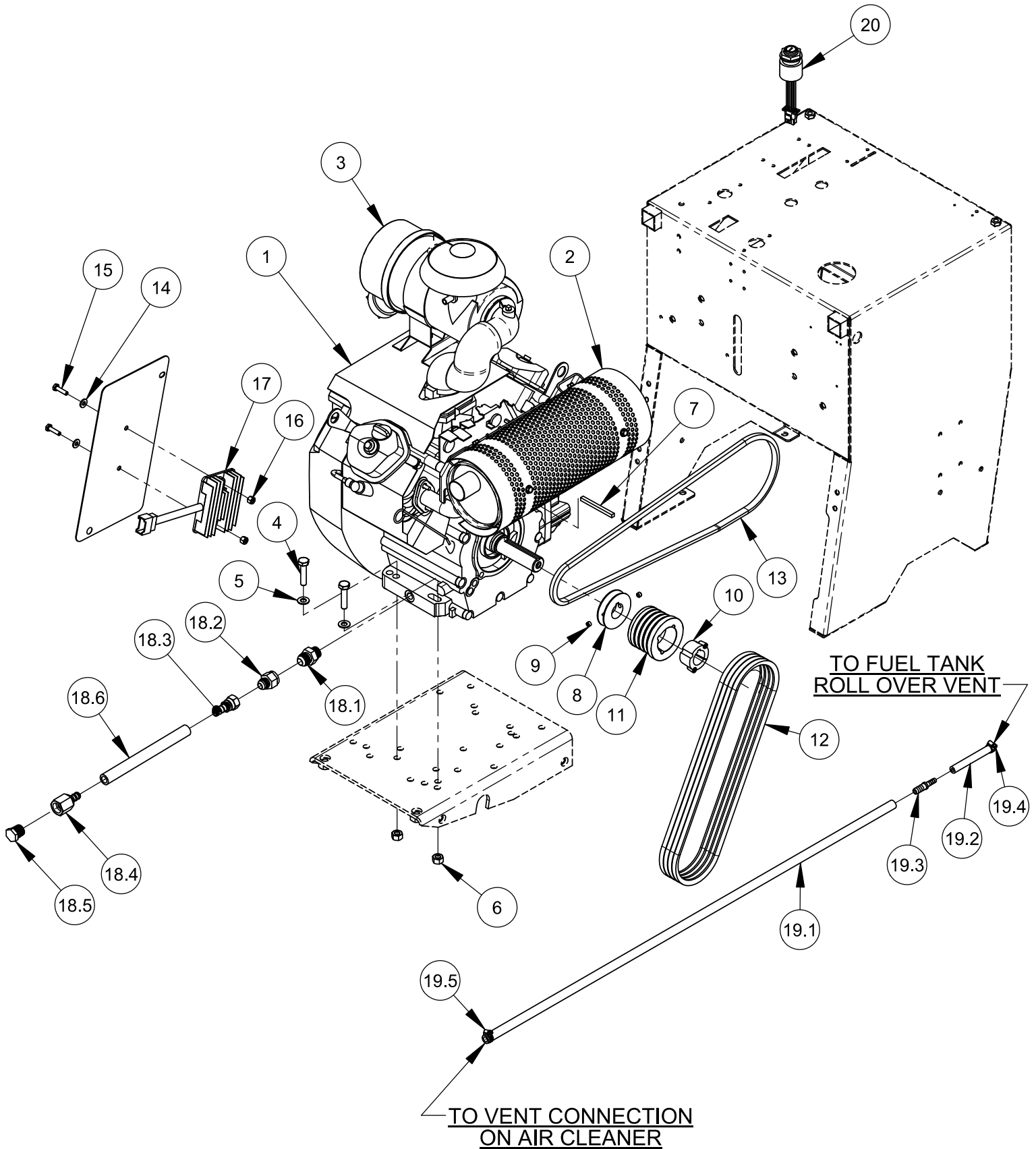


20.5 HP Honda Engine Assembly 6047704

| ITEM | PART NO. | QTY. | DESCRIPTION |
|------|----------|------|---|
| 1 | 2600642 | 1 | Engine, 20.5 HP Honda (GX660) |
| 2 | 2703139 | 1 | Muffler Assembly, High Mount, Left |
| 3 | 2703556 | 1 | Air Cleaner Assembly |
| 10 | 2900014 | 4 | Flat Washer, 3/8" SAE |
| 5 | 2900317 | 4 | Cap Screw, Hex Hd., M10-1.5 x 45mm |
| 6 | 2900304 | 4 | Lock Nut, M10-1.5 Nylon Insert |
| 7 | 6047977 | 1 | Key, 1/4" Sq. x 3" |
| 8 | 2500029 | 1 | Taper Bushing, 1-1/8" with Set Screws |
| 9 | 2500817 | 1 | Sheave, 3.00-3V-4 Groove |
| 10 | 6048195 | 1 | Pulley, 1-1/8" Bore |
| 11 | 2500849 | 1 | V-Belt, 4L-500 |
| 12 | 2500792 | 4 | V-Belt, 3VX400 |
| 13 | 2900036 | 2 | Set Screw, Soc. Hd., 5/16-18 x 1/4" |
| 14 | 2701670 | 1 | Rectifier Assembly |
| 15 | 2900009 | 2 | Flat Washer, 1/4" SAE |
| 16 | 2900008 | 2 | Cap Screw, Hex Hd., 1/4-20 x 1" |
| 17 | 2900010 | 2 | Lock Nut, 1/4-20 Nylon |
| 18 | 6011650 | 1 | Vent Hose Assy., 1/4"-3/8"x40" |
| 18.1 | 3200062 | 1 | Hose Clamp #4 |
| 18.2 | 3200390 | 1 | Hose Clamp #6 |
| 18.3 | 3202925 | 1 | 1/4" to 3/8" Hose Barb |
| 18.4 | 6011649 | 1 | Fuel Hose Assy., 3/8"x40" |
| 18.5 | 6010218 | 1 | Fuel Line Hose, 1/4" I.D. x 4" |
| 19 | 6048236 | 1 | Oil Drain Hose Assembly |
| 19.1 | 3200462 | 1 | Fitting, M20 x 1.5 to 5/8" M. JIC |
| 19.2 | 3200440 | 1 | Fitting. 5/8" F. to 1/2" M. JIC |
| 19.3 | 3200181 | 1 | Fitting, 1/2" F. JIC to 1/2" Pushlok |
| 19.4 | 3200163 | 1 | Fitting, 1/2" F. Pipe to 1/2" Push Lock |
| 19.5 | 3200160 | 1 | Plug, 1/2-14 NPT |
| 19.6 | 6048264 | 1 | Hose, 1/2" I.D. x 8.25" |
| ● 20 | 6049059 | 1 | Wire Harness Assembly, Honda |

6049059 INCLUDES THE IGNITION SWITCH ASSEMBLY 6049057
AND THE ENGINE TO IGNITION SWITCH HARNESS ASSEMBLY 6040958
BOTH ARE AVAILABLE SEPARATELY.

22.2 HP Honda Engine Assembly 6047715

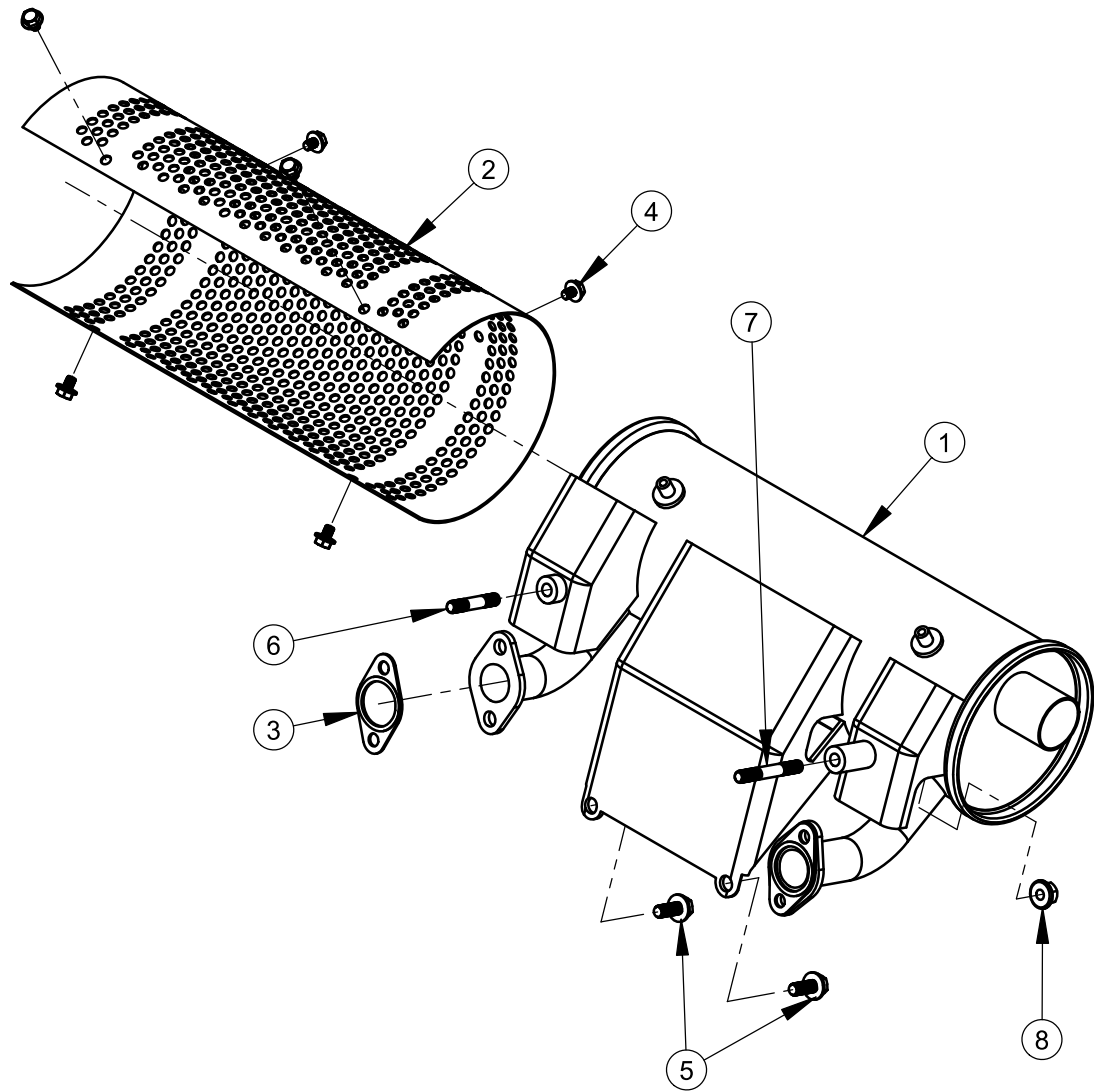


22.2 HP Honda Engine Assembly 6047715

| ITEM | PART NO. | QTY. | DESCRIPTION |
|------|----------|------|---|
| 1 | 2601705 | 1 | Honda Engine, 22.2 HP Honda (GX690) |
| 2 | 2703139 | 1 | Muffler Assembly, High Mount, Left |
| 3 | 2703556 | 1 | Air Cleaner Assembly |
| 4 | 2900317 | 4 | Cap Screw, Hex Hd., M10-1.5 x 45mm |
| 5 | 2900014 | 4 | Flat Washer, 3/8" SAE |
| 6 | 2900304 | 4 | Lock Nut, M10-1.5 Nylon Insert |
| 7 | 6047977 | 1 | Key, 1/4" Sq. x 3" |
| 8 | 6048195 | 1 | Pulley, 1-1/8" Bore |
| 9 | 2900036 | 2 | Set Screw, Soc. Hd., 5/16-18 x 1/4" |
| 10 | 2500029 | 1 | Taper Bushing, 1-1/8" with Set Screws |
| 11 | 2500817 | 1 | Sheave, 3.00-3V-4 Groove |
| 12 | 2500792 | 4 | V-Belt, 3VX400 |
| 13 | 2500849 | 1 | V-Belt, 4L-500 |
| 14 | 2900009 | 2 | Flat Washer, 1/4" SAE |
| 15 | 2900008 | 2 | Cap Screw, Hex Hd., 1/4-20 x 1" |
| 16 | 2900010 | 2 | Lock Nut, 1/4-20 Nylon |
| 17 | 2701670 | 1 | Rectifier Assembly |
| 18 | 6048236 | 1 | Oil Drain Hose Assembly |
| 18.1 | 3200462 | 1 | Fitting, M20 x 1.5 to 5/8" M. JIC |
| 18.2 | 3200440 | 1 | Fitting, 5/8" F. to 1/2" M. JIC |
| 18.3 | 3200181 | 1 | Fitting, 1/2" F. JIC to 1/2" Pushlok |
| 18.4 | 3200163 | 1 | Fitting, 1/2" F. Pipe to 1/2" Push Lock |
| 18.5 | 3200160 | 1 | Plug, 1/2-14 NPT |
| 18.6 | 6048264 | 1 | Hose, 1/2" I.D. x 8.25" |
| 19 | 6011650 | 1 | Vent Hose Assy., 1/4"-3/8"x40" |
| 19.1 | 6011649 | 1 | Fuel Hose Assy., 3/8"x40" |
| 19.2 | 6010218 | 1 | Fuel Line Hose, 1/4" I.D. x 4" |
| 19.3 | 3202925 | 1 | 1/4" to 3/8" Hose Barb |
| 19.4 | 3200062 | 1 | Hose Clamp #4 |
| 19.5 | 3200390 | 1 | Hose Clamp #6 |
| ● 20 | 6049059 | 1 | Wire Harness Assembly, Honda |

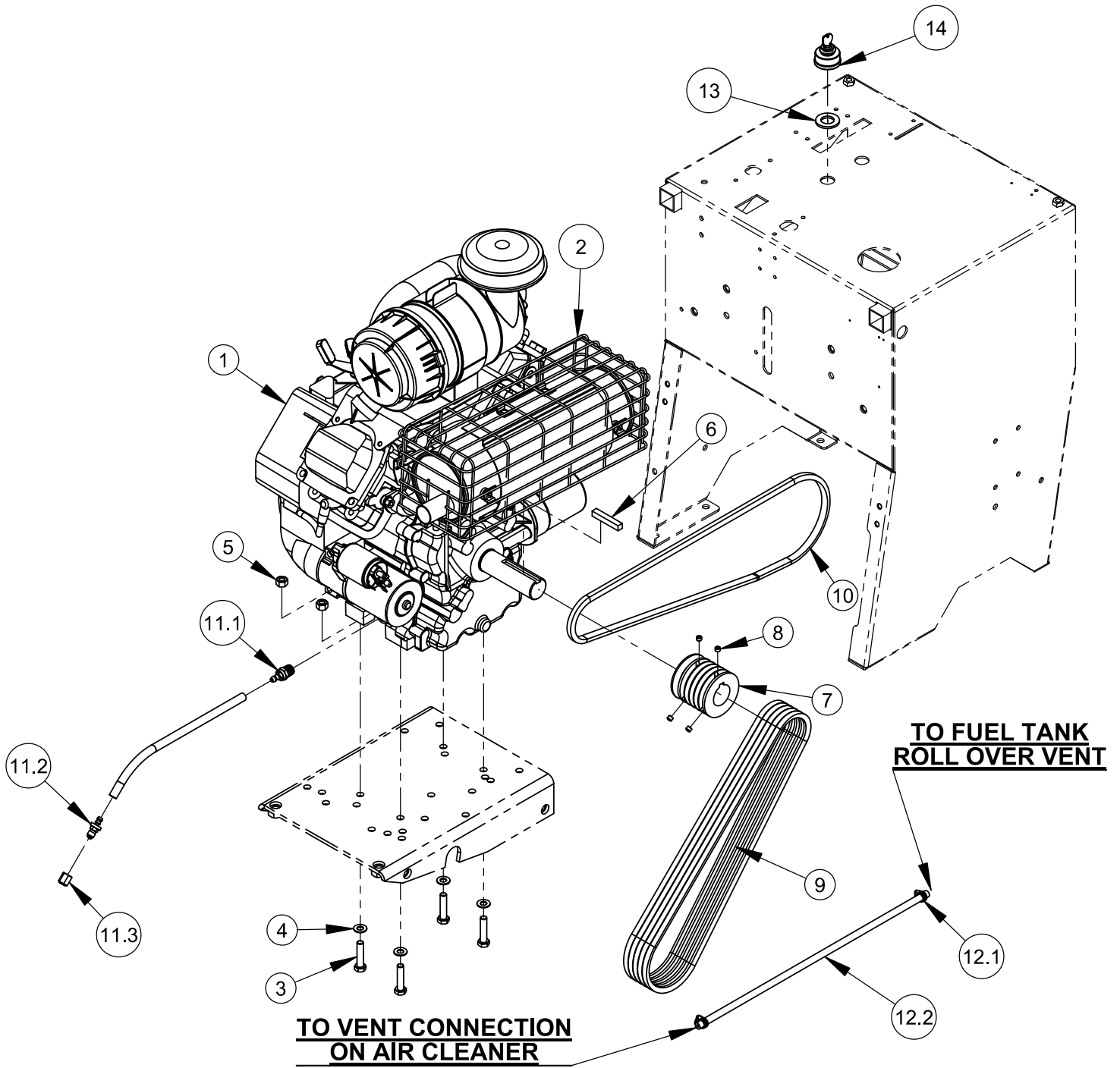
6049059 INCLUDES THE IGNITION SWITCH ASSEMBLY 6049057
AND THE ENGINE TO IGNITION SWITCH HARNESS ASSEMBLY 6040958
BOTH ARE AVAILABLE SEPARATELY.

**Honda High Mount with Left Side Exhaust
used on GX630 & GX660 Engines #2703139**



| ITEM | QTY. | DESCRIPTION |
|------|------|--------------------------------------|
| 1 | 1 | Honda Muffler |
| 2 | 1 | Muffler Protector |
| 3 | 2 | Exhaust Gasket |
| 4 | 6 | Cap Screw, Hex Flange Hd., M6 x 8mm |
| 5 | 2 | Cap Screw, Hex Flange Hd., M8 x 20mm |
| 6 | 1 | Stud, Bolt, M8 x 45mm |
| 7 | 1 | Stud, Bolt, M8 x 60mm |
| 8 | 2 | Hex Nut Flanged, M8 |

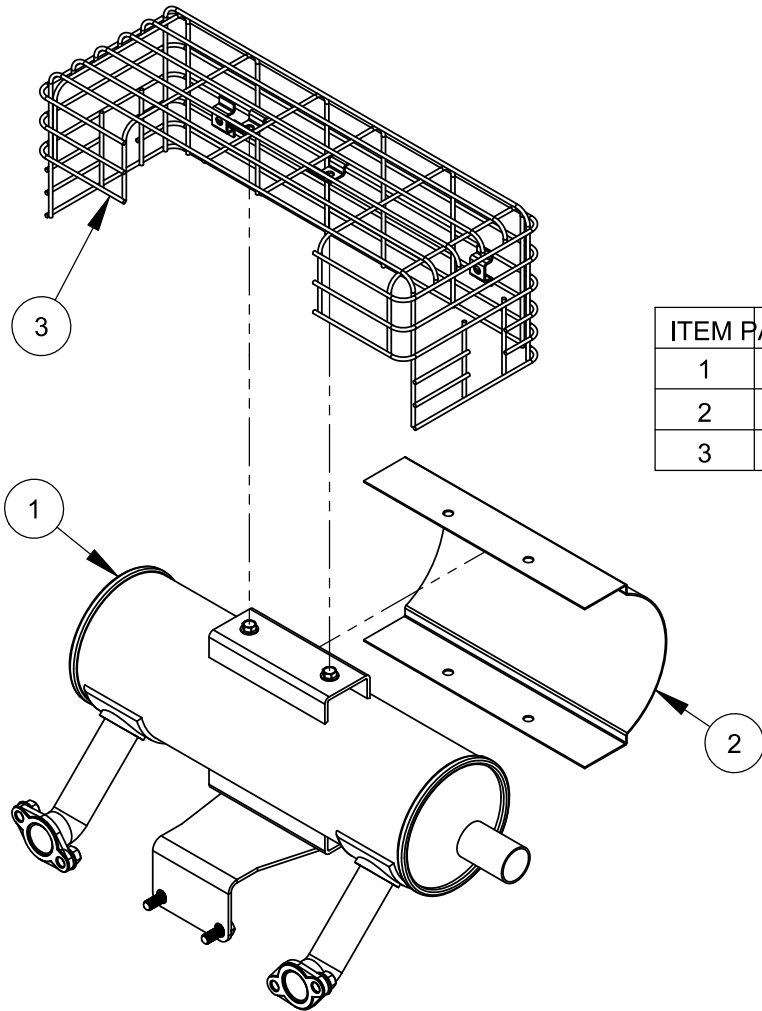
27 HP Kohler Engine Assembly
#6047710



27 HP Kohler Engine Assembly
#6047710

| ITEM | PART NO. | QTY. | DESCRIPTION |
|------|----------|------|--|
| 1 | 2600338 | 1 | Engine, 27HP Kohler Command |
| 2 | 6047897 | 1 | Muffler Assembly-Kohler |
| 3 | 2900317 | 4 | Cap Screw, Hex Hd., M10-1.5 x 45mm |
| 4 | 2900014 | 4 | Flat Washer, 3/8" SAE |
| 5 | 2900304 | 4 | Lock Nut, M10-1.5 Nylon Insert |
| 6 | 6047959 | 1 | Key, 3/8" Sq. x 2-1/4" |
| 7 | 6047914 | 1 | Sheave, 3" x 1-7/16" Bore |
| 8 | 2900036 | 4 | Set Screw, Soc. Hd., 5/16-18 x 1/4" |
| 9 | 2500793 | 5 | V-Belt, 3VX425 |
| 10 | 2500849 | 1 | V-Belt, 4L-500 |
| 11 | 6047974 | 1 | Oil Drain Hose Assembly, 8-1/4" |
| 11.1 | 3200070 | 1 | Fitting, 3/8" MPT to 1/4" Pushlok |
| 11.2 | 3200040 | 1 | Fitting, 1/4" M. JIC to 1/4" Push Lock |
| 11.3 | 3200006 | 1 | Cap, 1/4" JIC |
| 11.4 | 6047955 | 1 | Oil Drain Hose, 1/4" ID X 12" Long |
| 12 | 6010498 | 1 | Fuel Line Assembly |
| 12.1 | 3200062 | 2 | Hose Clamp #4 |
| 12.2 | 6011392 | 1 | Hose, 3/16" ID x20" |
| 13 | 2900003 | 1 | Flat Washer, 3/4" SAE |
| 14 | 2700892 | 1 | Ignition Switch w/ Key (27KC) |
| 15 | 2700885 | 1 | Wiring Harness (Not Shown) |

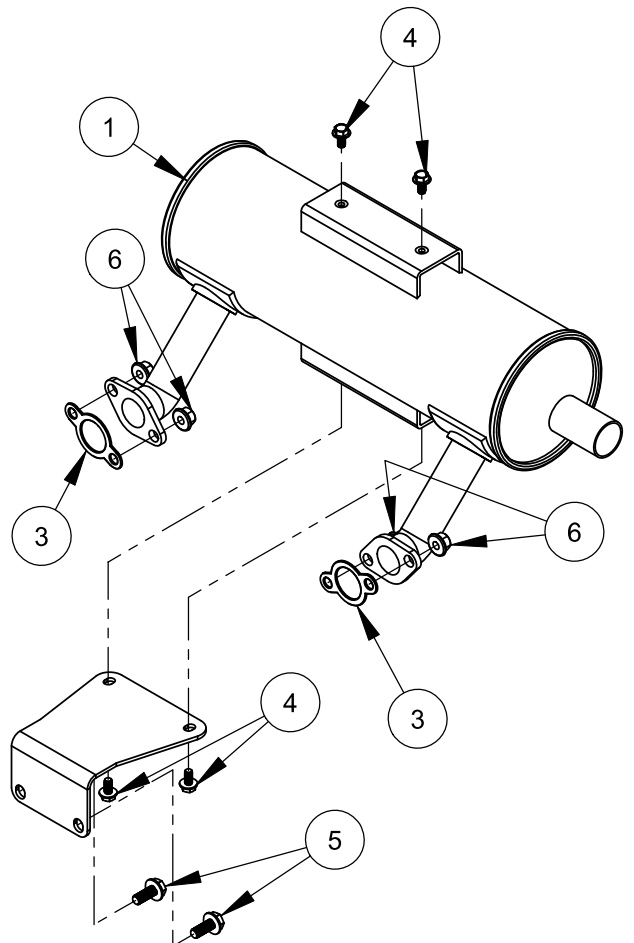
27HP Kohler Muffler Assembly #6047897



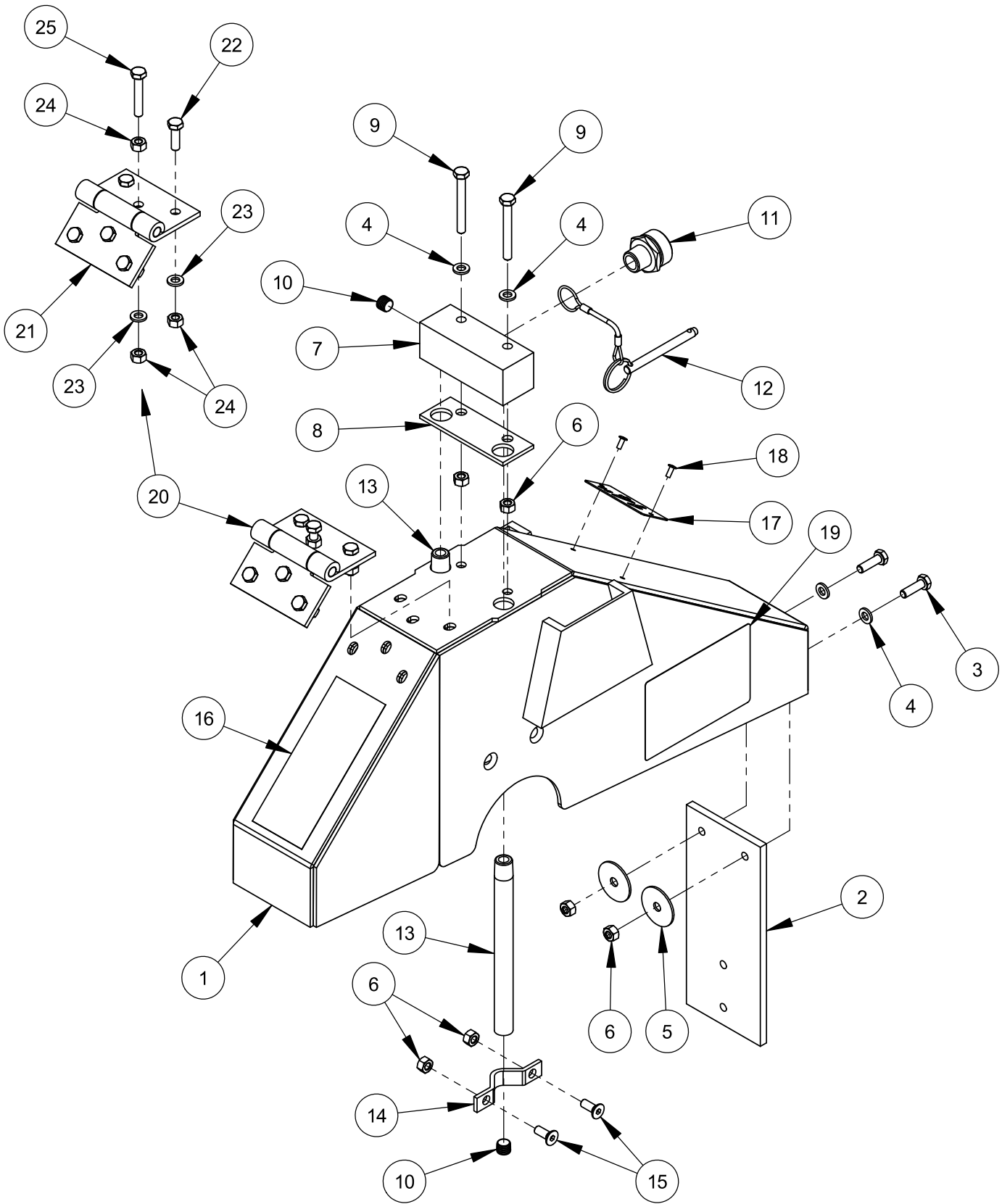
| ITEM | PART NO. | QTY. | DESCRIPTION |
|------|----------|------|------------------|
| 1 | 2701252 | 1 | Muffler Assembly |
| 2 | 2701277 | 1 | Heat Shield |
| 3 | 2701253 | 1 | Muffler Guard |

27HP Kohler Muffler #2701252

| ITEM | QTY. | DESCRIPTION |
|------|------|--------------------------------------|
| 1 | 1 | Muffler |
| 2 | 1 | Muffler Mounting Bracket |
| 3 | 2 | Exhaust Gasket |
| 4 | 4 | Cap Screw, Hex Flange Hd., M6 x 12mm |
| 5 | 2 | Cap Screw, Hex Flange Hd., M8 x 20mm |
| 6 | 4 | Hex Nut Flanged, M8 |



14" Blade Guard Assembly #6010950

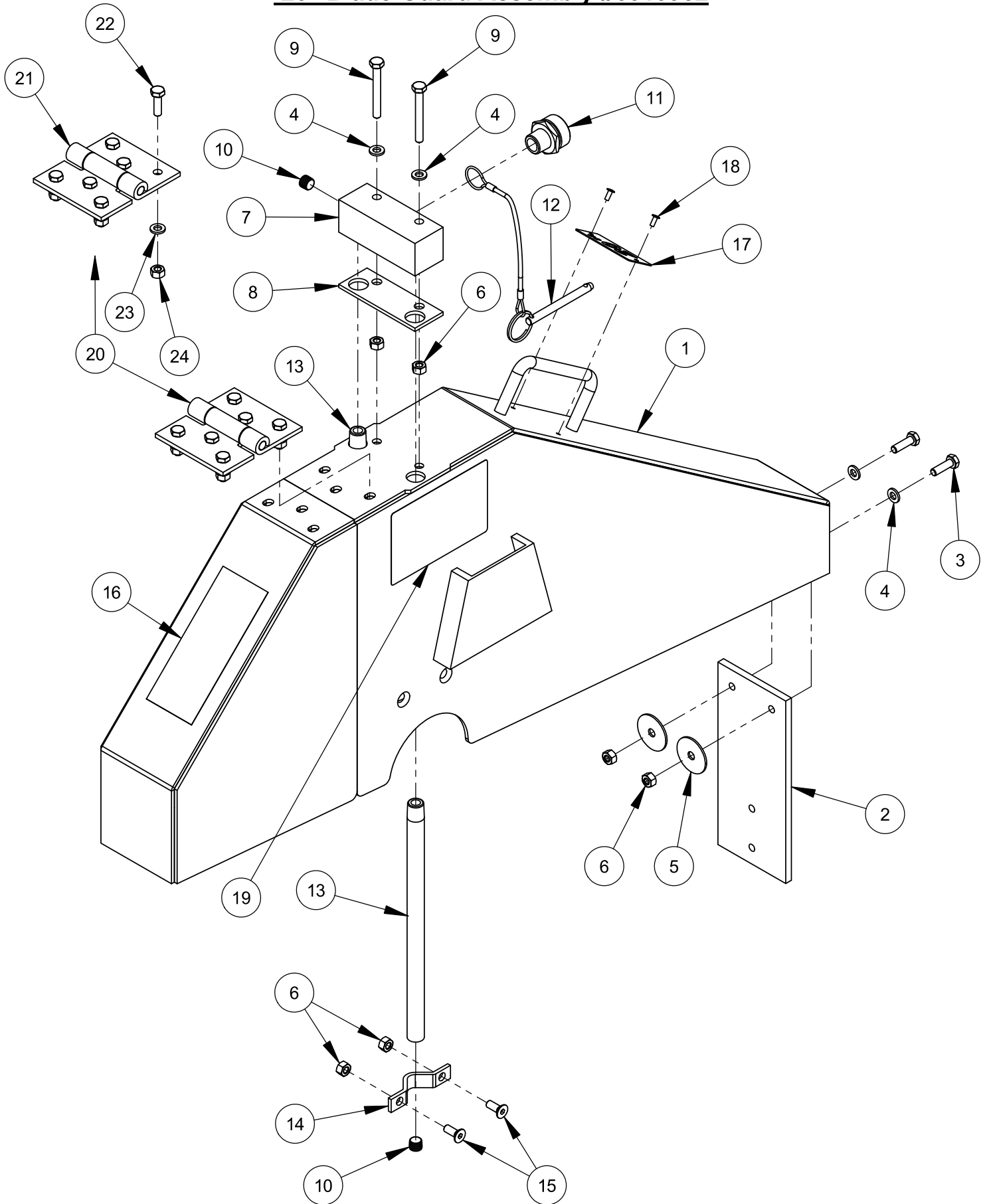


14" Blade Guard Assembly #6010950

| ITEM | PART NO. | QTY. | DESCRIPTION |
|------|----------|------|---|
| 1 | 6010601 | 1 | 14" Blade Guard Front & Rear Only |
| 2 | 6010081 | 1 | Splash Flap |
| 3 | 2900310 | 2 | Cap Screw, Hex Hd., M6-1.0 x 20mm |
| 4 | 2901494 | 4 | Flat Washer, M6 |
| 5 | 2900083 | 2 | Fender Washer, 1/4" x 1-1/4" |
| 6 | 2900302 | 8 | Lock Nut, M6-1.0 Nylon Insert |
| 7 | 6010261 | 1 | Water Manifold |
| 8 | 2500830 | 1 | Water Manifold Gasket |
| 9 | 2901355 | 2 | Cap Screw, Hex Hd., M6-1.0 x 50mm |
| 10 | 3200001 | 3 | Plug, 1/8" NPT |
| 11 | 3200002 | 1 | Fitting, 3/8" M. Pipe to 3/4" M. Garden |
| 12 | 2900278 | 1 | Lanyard with Lock Pin |
| 13 | 6048283 | 2 | Water Tube for 14" Guard |
| 14 | 6048155 | 2 | Water Tube Clamp |
| 15 | 2900308 | 4 | Cap Screw, Flat Hd., M6-1.0 x 16mm |
| 16 | 1800001 | 1 | Warning Label |
| 17 | 1801369A | 1 | Blade Guard Size Tag |
| 18 | 2900287 | 2 | Rivet, 1/8" Dia. |
| 19 | 1802090 | 2 | Label, Wedge Locking Washer |
| 20 | 6048026 | 1 | Hinge Assembly |

| ITEM | PART NO. | QTY. | DESCRIPTION |
|------|----------|------|-----------------------------------|
| 21 | 2500270 | 1 | Blade Guard Hinge |
| 22 | 2900310 | 5 | Cap Screw, Hex Hd., M6-1.0 x 20mm |
| 23 | 2901494 | 6 | Flat Washer, M6 |
| 24 | 2900302 | 7 | Lock Nut, M6-1.0 Nylon Insert |
| 25 | 2900312 | 1 | Cap Screw, Hex Hd., M6-1.0 x 35mm |

20" Blade Guard Assembly #6010952

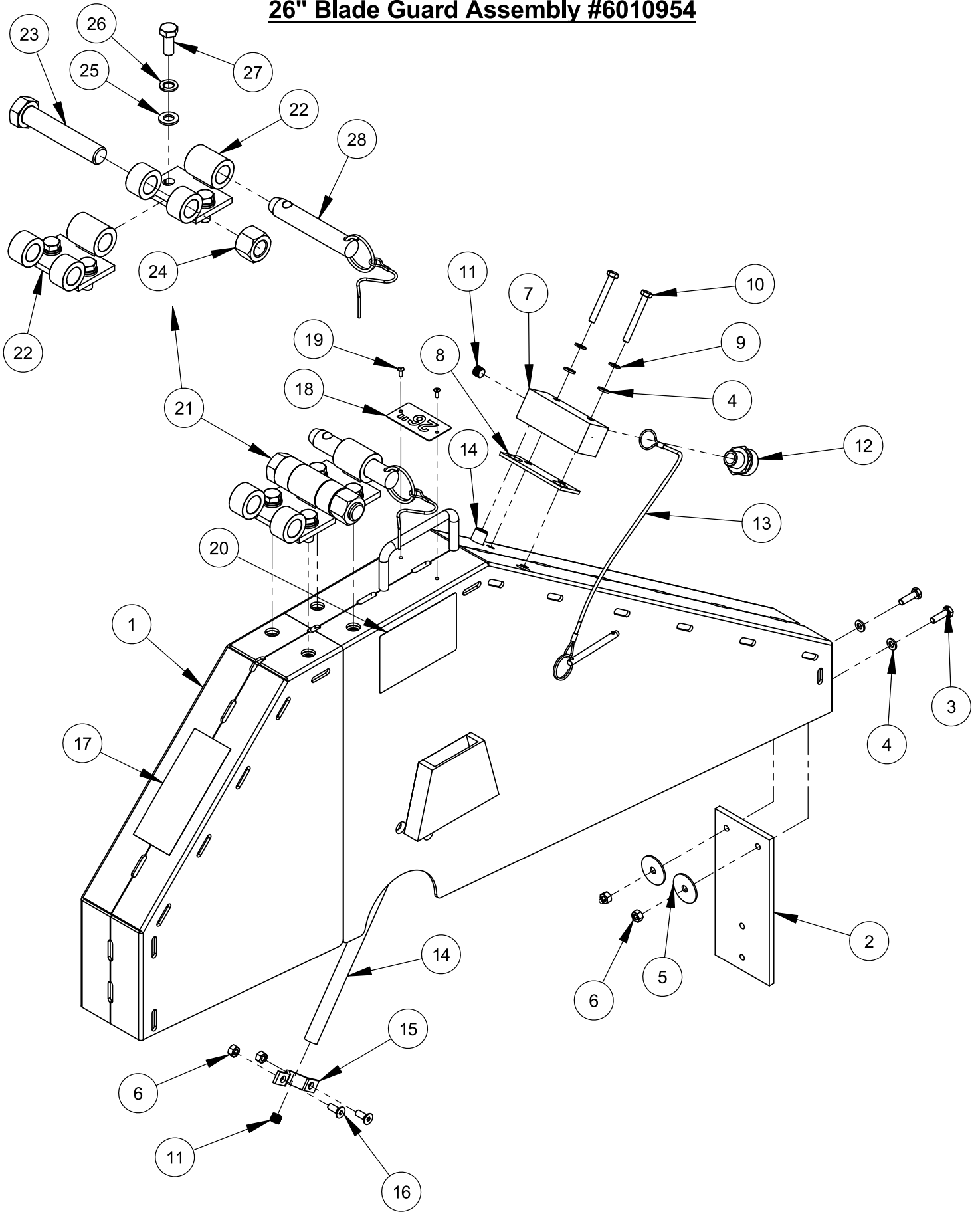


20" Blade Guard Assembly #6010952

| ITEM | PART NO. | QTY. | DESCRIPTION |
|------|----------|------|---|
| 1 | 6010603 | 1 | 20" Blade Guard Front & Rear Only |
| 2 | 6010081 | 1 | Splash Flap |
| 3 | 2900310 | 2 | Cap Screw, Hex Hd., M6-1.0 x 20mm |
| 4 | 2901494 | 4 | Flat Washer, M6 |
| 5 | 2900083 | 2 | Fender Washer, 1/4" x 1-1/4" |
| 6 | 2900302 | 8 | Lock Nut, M6-1.0 Nylon Insert |
| 7 | 6010261 | 1 | Water Manifold |
| 8 | 2500830 | 1 | Water Manifold Gasket |
| 9 | 2901355 | 2 | Cap Screw, Hex Hd., M6-1.0 x 50mm |
| 10 | 3200001 | 3 | Plug, 1/8" NPT |
| 11 | 3200002 | 1 | Fitting, 3/8" M. Pipe to 3/4" M. Garden |
| 12 | 2900278 | 1 | Lanyard with Lock Pin |
| 13 | 6010085 | 2 | Water Tube for 20" Guard |
| 14 | 6048155 | 2 | Water Tube Clamp |
| 15 | 2900308 | 4 | Cap Screw, Flat Hd., M6-1.0 x 16mm |
| 16 | 1800001 | 1 | Warning Label |
| 17 | 1801369D | 1 | Blade Guard Size Tag |
| 18 | 2900287 | 2 | Rivet, 1/8" Dia. |
| 19 | 1802090 | 2 | Label, Wedge Locking Washer |
| 20 | 6048027 | 1 | Hinge Assembly |

| ITEM | PART NO. | QTY. | DESCRIPTION |
|------|----------|------|-----------------------------------|
| 21 | 2500270 | 1 | Blade Guard Hinge |
| 22 | 2900310 | 6 | Cap Screw, Hex Hd., M6-1.0 x 20mm |
| 23 | 2901494 | 6 | Flat Washer, M6 |
| 24 | 2900302 | 6 | Lock Nut, M6-1.0 Nylon Insert |

26" Blade Guard Assembly #6010954

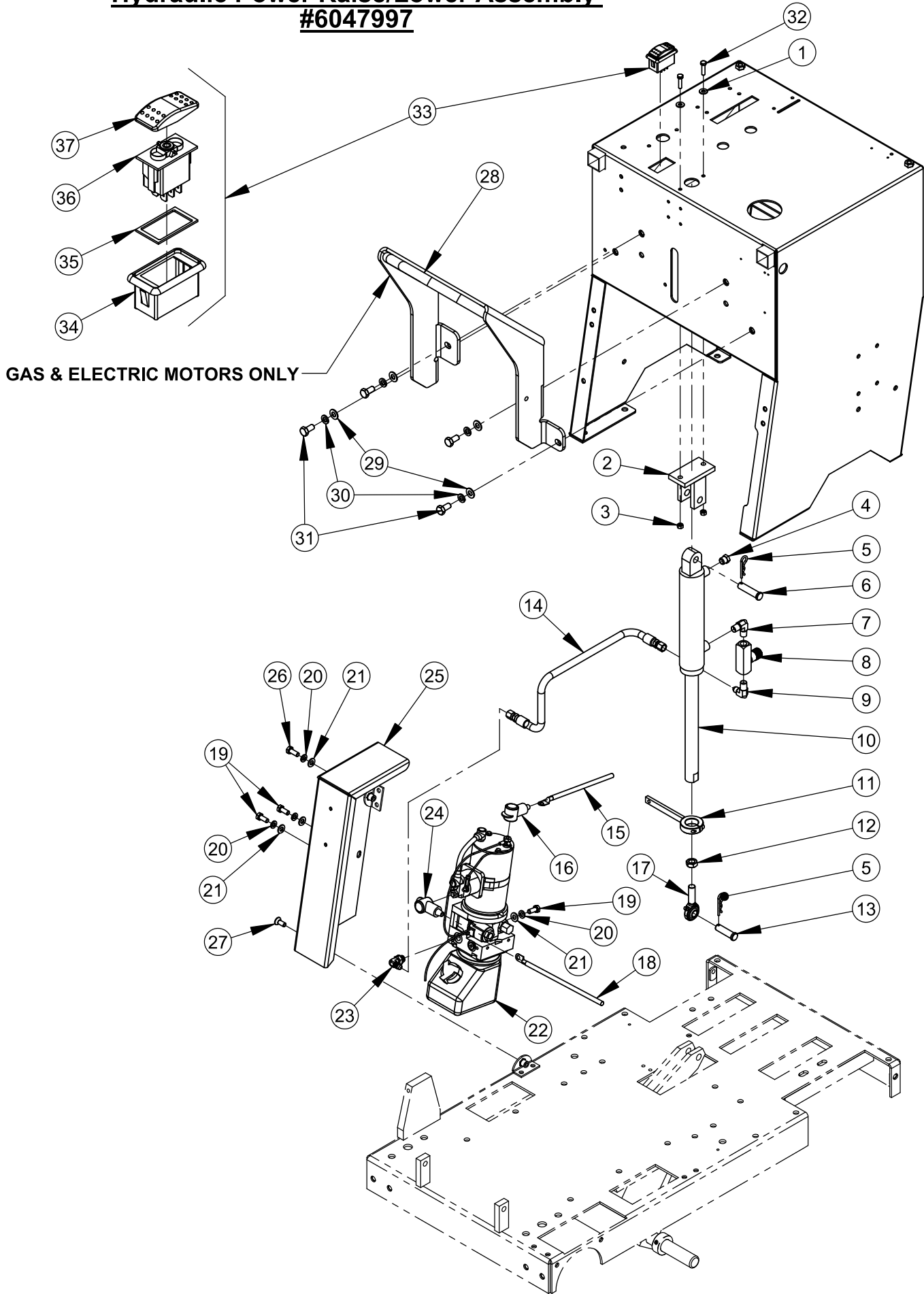


26" Blade Guard Assembly #6010954

| ITEM | PART NO. | QTY. | DESCRIPTION |
|------|----------|------|---|
| 1 | 6010955 | 1 | 26" Blade Guard Front & Rear Only |
| 2 | 6010081 | 1 | Splash Flap |
| 3 | 2900310 | 2 | Cap Screw, Hex Hd., M6-1.0 x 20mm |
| 4 | 2901494 | 4 | Flat Washer, M6 |
| 5 | 2900083 | 2 | Fender Washer, 1/4" x 1-1/4" |
| 6 | 2900302 | 6 | Lock Nut, M6-1.0 Nylon Insert |
| 7 | 6010261 | 1 | Water Manifold |
| 8 | 2500830 | 1 | Water Manifold Gasket |
| 9 | 2900765 | 2 | Lock Washer, M6 Split |
| 10 | 2901355 | 2 | Cap Screw, Hex Hd., M6-1.0 x 50mm |
| 11 | 3200001 | 3 | Plug, 1/8" NPT |
| 12 | 3200002 | 1 | Fitting, 3/8" M. Pipe to 3/4" M. Garden |
| 13 | 2900279 | 1 | Lanyard with Lock Pin |
| 14 | 6010086 | 2 | Water Tube for 26" Guard |
| 15 | 6048155 | 2 | Water Tube Clamp |
| 16 | 2900308 | 4 | Cap Screw, Flat Hd., M6-1.0 x 16mm |
| 17 | 1800001 | 1 | Warning Label |
| 18 | 1801369F | 1 | Blade Guard Size Tag |
| 19 | 2900287 | 2 | Rivet, 1/8" Dia. |
| 20 | 1802090 | 2 | Label, Wedge Locking Washer |
| 21 | 6010873 | 1 | Universal Hinge Assembly |

| ITEM | PART NO. | QTY | DESCRIPTION |
|------|----------|-----|------------------------------------|
| 22 | 6010871 | 2 | Hinge Weldment, Universal |
| 23 | 2900479 | 1 | Cap Screw, Hex Hd., 3/4-10 x 4" |
| 24 | 2900467 | 1 | Lock Nut, 3/4-10 Nylon |
| 25 | 2901356 | 4 | Flat Washer, M10 |
| 26 | 2900321 | 4 | Lock Washer, M10 Split |
| 27 | 2900333 | 4 | Cap Screw, Hex Hd., M10-1.5 x 25mm |
| 28 | 2503824 | 1 | Detent Pin, 3/4" x 3" Grip |

Hydraulic Power Raise/Lower Assembly #6047997



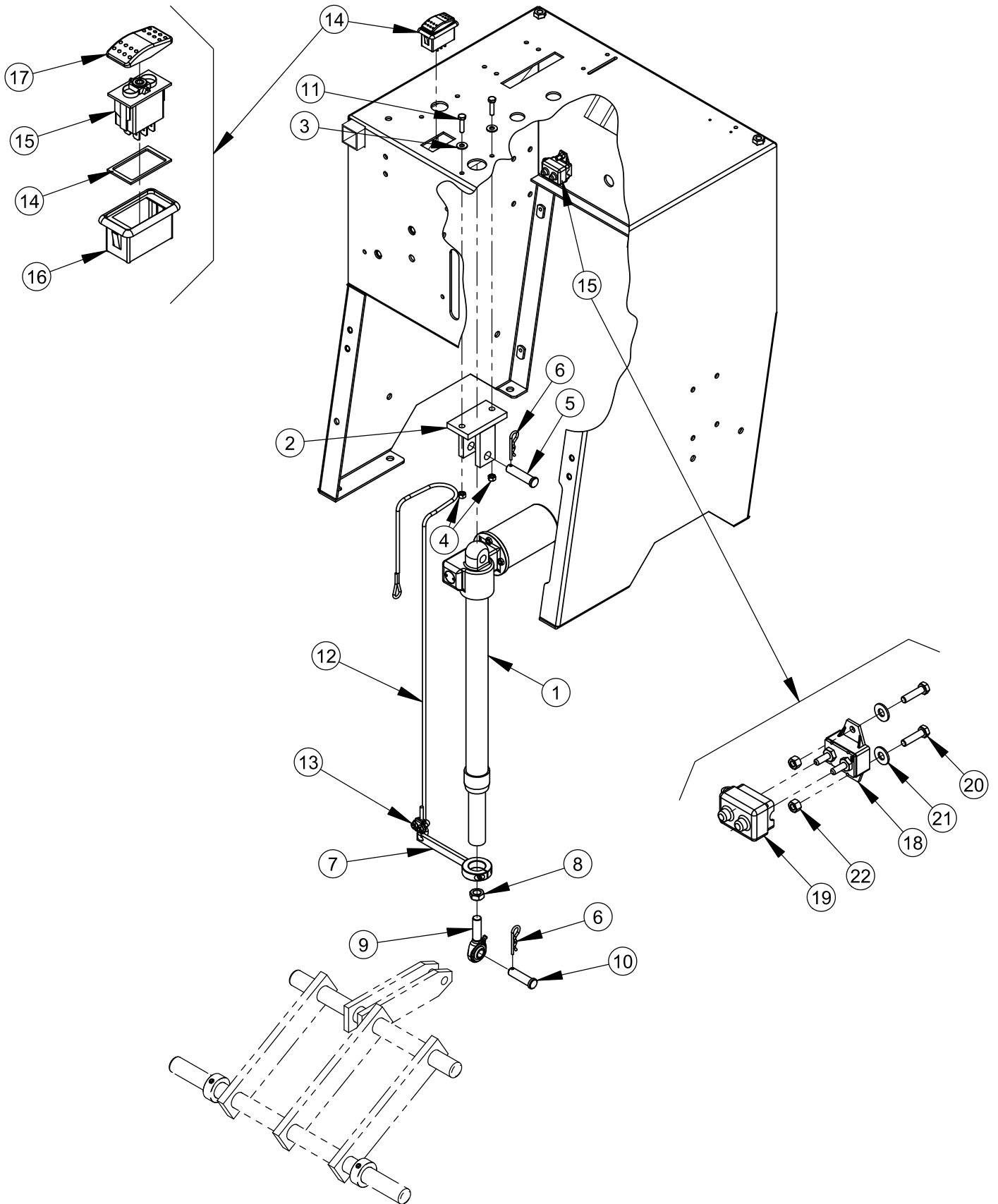
Hydraulic Power Raise/Lower Assembly
#6047997

| ITEM | PART NO. | QTY. | DESCRIPTION |
|------|----------|------|---------------------------------------|
| 1 | 2900009 | 2 | Flat Washer, 1/4" SAE |
| 2 | 6047965 | 1 | Actuator Clevis |
| 3 | 2900302 | 2 | Lock Nut, M6-1.0 Nylon Insert |
| 4 | 3200067 | 1 | Breather Vent, 1/4" NPT |
| 5 | 2900276 | 2 | Hairpin Cotter, 1/8" x 1/2" to 3/4" |
| 6 | 2900393 | 1 | Clevis Pin, 1/2 x 1-3/4", Zinc Plated |
| 7 | 3200312 | 1 | Elbow, 1/4" Male Pipe |
| 8 | 3200056 | 1 | Flow Control Valve, 1/4" NPT |
| 9 | 3200057 | 1 | Elbow, 1/4" M. Pipe to 1/4" M. JIC |
| 10 | 2501588 | 1 | Hydraulic Cylinder |
| 11 | 6047966 | 1 | Cable Connecting Arm |
| 12 | 2900109 | 1 | Jam Nut, 1/2-20 |
| 13 | 2900354 | 1 | Clevis Pin, 1/2" x 1-3/4" |
| 14 | 6010248 | 1 | Hose Assembly, 20" Long |
| 15 | 6048092 | 1 | Battery Cable Assy., Black |
| 16 | 2800198 | 1 | Battery Boot, Small (Black) |
| 17 | 2500931 | 1 | Rod End, 1/2-20 Male |
| 18 | 6047990 | 1 | Battery Cable Assy., Red |
| 19 | 2900019 | 3 | Cap Screw, Hex Hd., 5/16-18 x 3/4" |
| 20 | 2900031 | 4 | Lock Washer, 5/16" Split |
| 21 | 2900022 | 4 | Flat Washer, 5/16" SAE |
| 22 | 2600540 | 1 | Electro/Hydraulic Pump Unit |
| 23 | 3200214 | 1 | Elbow, 1/4" M. O-Ring to 1/4" M. JIC |
| 24 | 2800197 | 1 | Battery Boot, Small (Red) |
| 25 | 6047986 | 1 | Pump Guard |
| 26 | 2900329 | 1 | Cap Screw, Hex Hd., M8-1.25 x 20mm |
| 27 | 2900611 | 1 | Cap Screw, Flat Hd., M8-1.25 x 20mm |
| 28 | 6047987 | 1 | Frame Lift Weldment |
| 29 | 2900014 | 4 | Flat Washer, 3/8" SAE |
| 30 | 2900006 | 4 | Lock Washer, 3/8" Split |
| 31 | 2900314 | 4 | Cap Screw, Hex Hd., M10-1.5 x 20mm |
| 32 | 2900311 | 2 | Cap Screw, Hex Hd., M6-1.0 x 25mm |
| 33 | 6047969 | 1 | Rocker Switch Assembly |

Rocker Switch Assembly
#6047969

| ITEM | PART NO. | QTY. | DESCRIPTION |
|------|----------|------|------------------------|
| 34 | 2800260 | 1 | Rocker Mount Panel |
| 35 | 2800261 | 1 | Rocker Panel Gasket |
| 36 | 2800258 | 1 | Rocker Switch Body |
| 37 | 2800259 | 1 | Rocker Switch Actuator |

Electric Power Raise/Lower Assembly
#6047967



Electric Power Raise/Lower Assembly
#6047967

| ITEM | PART NO. | QTY. | DESCRIPTION |
|------|----------|------|---------------------------------------|
| 1 | 2500930 | 1 | Actuator |
| 2 | 6047965 | 1 | Actuator Clevis |
| 3 | 2900009 | 2 | Flat Washer, 1/4" SAE |
| 4 | 2900302 | 2 | Lock Nut, M6-1.0 Nylon Insert |
| 5 | 2900393 | 1 | Clevis Pin, 1/2 x 1-3/4", Zinc Plated |
| 6 | 2900276 | 2 | Hairpin Cotter, 1/8" x 1/2" to 3/4" |
| 7 | 6047966 | 1 | Cable Connecting Arm |
| 8 | 2900109 | 1 | Jam Nut, 1/2-20 |
| 9 | 2500931 | 1 | Rod End, 1/2-20 Male |
| 10 | 2900354 | 1 | Clevis Pin, 1/2" x 1-3/4" |
| 11 | 2900311 | 2 | Cap Screw, Hex Hd., M6-1.0 x 25mm |
| 12 | 6047968 | 1 | Depth Indicator Cable |
| 13 | 2500214 | 1 | Cable Clamp |
| 14 | 6047969 | 1 | Rocker Switch Assembly |
| 15 | 6047979 | 1 | Circuit Breaker Assembly |

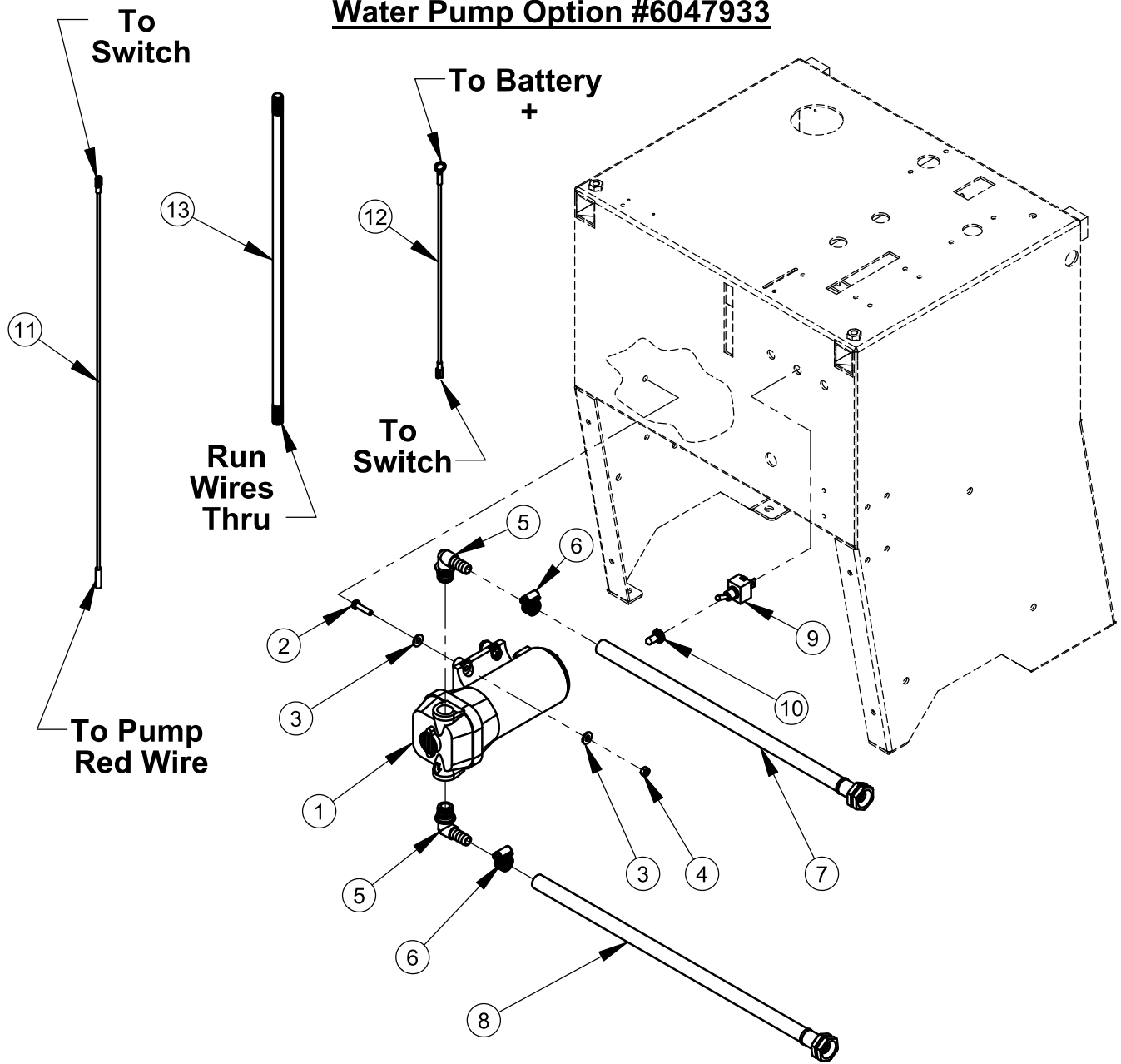
Rocker Switch Assembly
#6047969

| ITEM | PART NO. | QTY. | DESCRIPTION |
|------|----------|------|------------------------|
| 14 | 2800261 | 1 | Rocker Panel Gasket |
| 15 | 2800258 | 1 | Rocker Switch Body |
| 16 | 2800260 | 1 | Rocker Mount Panel |
| 17 | 2800259 | 1 | Rocker Switch Actuator |

Circuit Breaker Assembly
#6047979

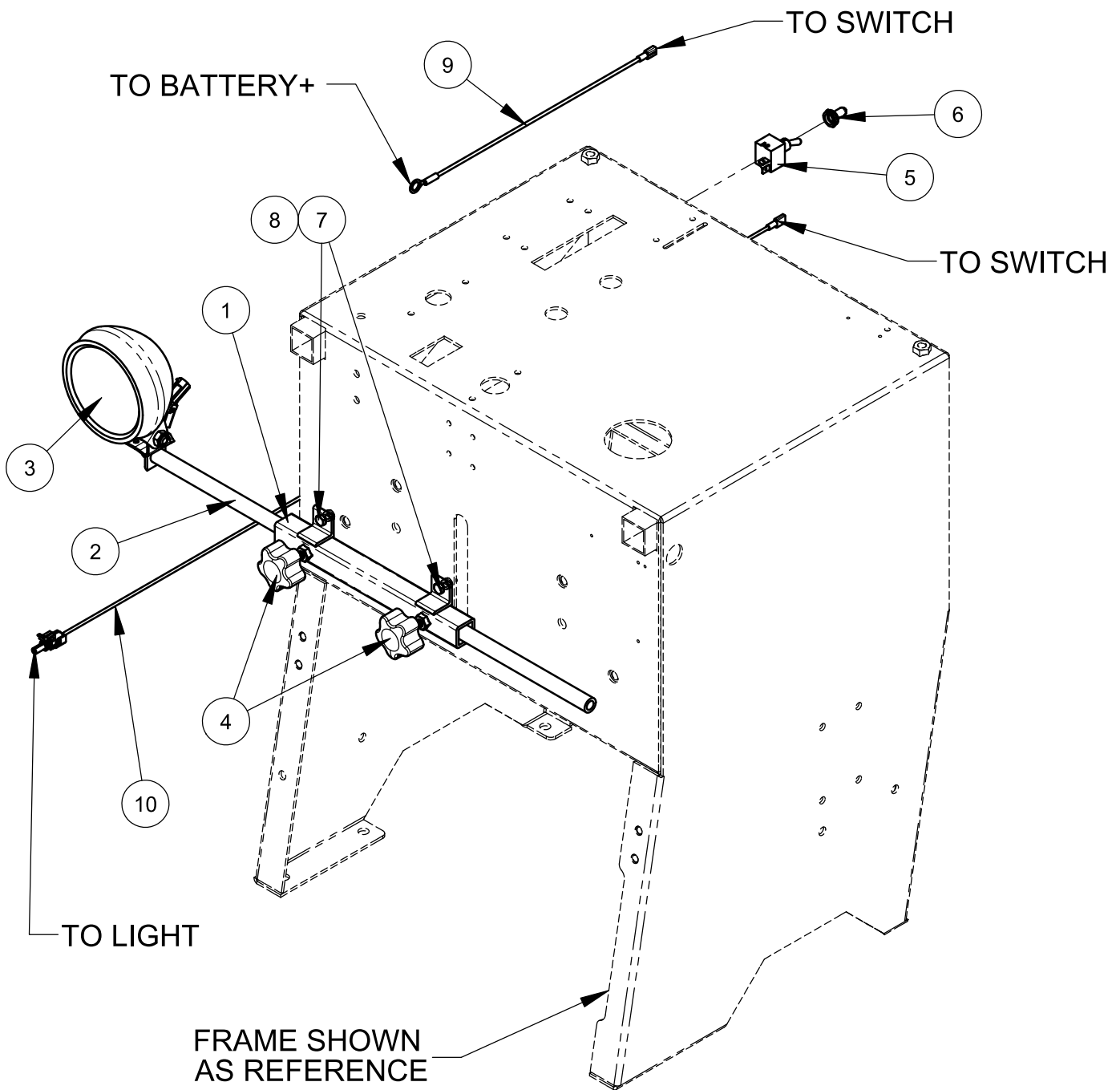
| ITEM | PART NO. | QTY. | DESCRIPTION |
|------|----------|------|-----------------------------------|
| 18 | 2800363 | 1 | Circuit Breaker 20 Amp |
| 19 | 2800364 | 1 | Circuit Breaker Boot |
| 20 | 2900309 | 2 | Cap Screw, Hex Hd., M5-0.8 x 20mm |
| 21 | 2900016 | 2 | Flat Washer, #10 USS |
| 22 | 2900301 | 2 | Lock Nut, M5-0.8 Nylon Insert |

Water Pump Option #6047933



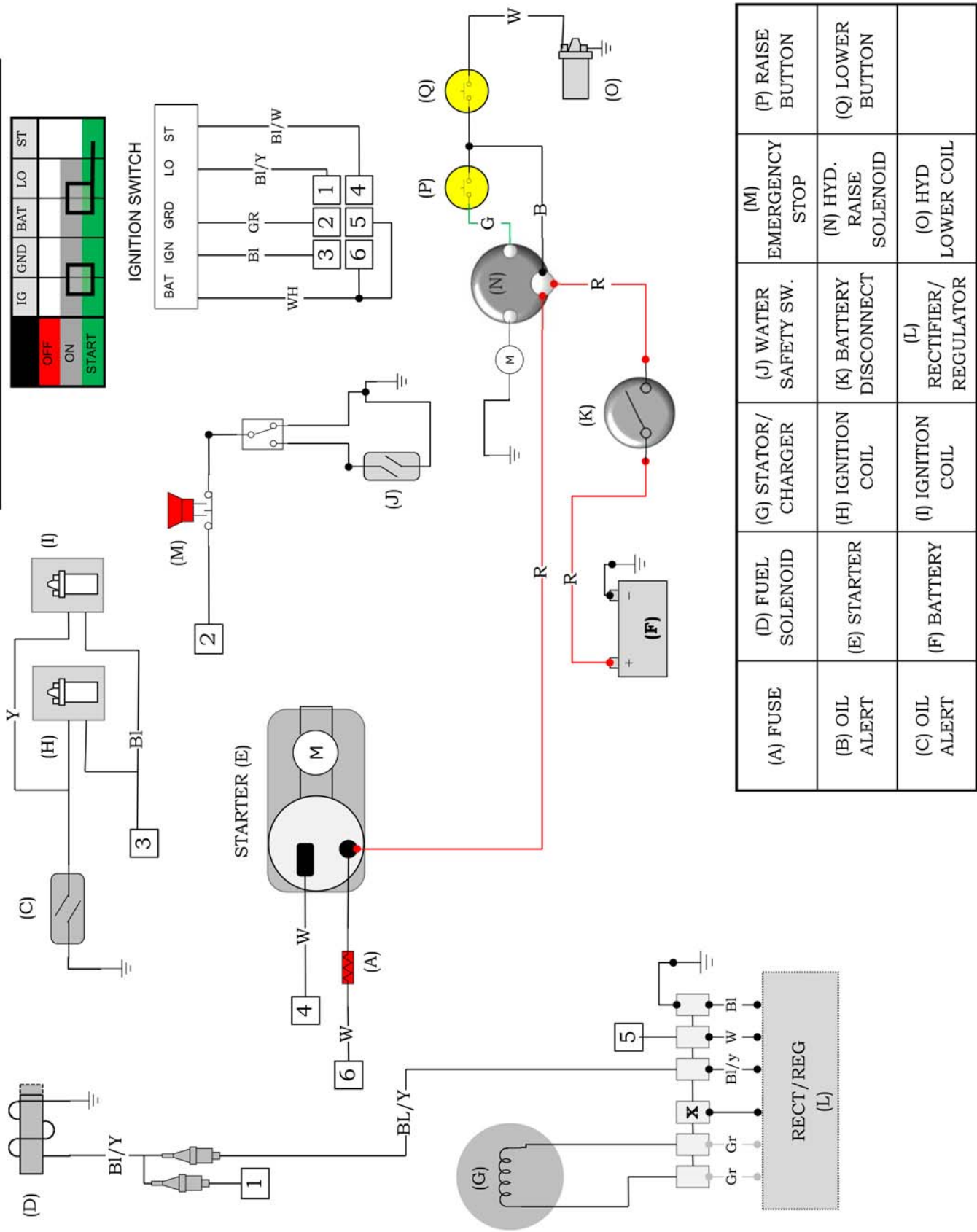
| ITEM | PART NO. | QTY. | DESCRIPTION |
|------|----------|------|-------------------------------------|
| 1 | 2600200 | 1 | Water Pump, 12V Diaphragm |
| 2 | 2900311 | 4 | Cap Screw, Hex Hd., M6-1.0 x 25mm |
| 3 | 2900009 | 8 | Flat Washer, 1/4" SAE |
| 4 | 2900302 | 4 | Lock Nut, M6-1.0 Nylon Insert |
| 5 | 2701694 | 2 | Port Fitting, 1/2" Barb x 90 Degree |
| 6 | 3200016 | 2 | Hose Clamp #8 |
| 7 | 6048167 | 1 | Hose Assy., 3 Foot |
| 8 | 6010302 | 1 | Hose Assy., 4 Foot |
| 9 | 2800062 | 1 | Toggle Switch On/Off |
| 10 | 2800063 | 1 | Toggle Switch Boot |
| 11 | 6040371 | 1 | Wire Assy., 14 GA., Green 24" |
| 12 | 6040372 | 1 | Wire Assy., 14 GA., White 12" |
| 13 | 4600087 | 1 | Wire Cover, 3/8 x 20" |

6047934 CC2500 SPOT LIGHT KIT



| ITEM | PART NO. | QTY. | DESCRIPTION |
|------|----------|------|-------------------------------------|
| 1 | 6010107 | 1 | Light Bar Mount Bracket |
| 2 | 6010106 | 1 | Light Bar |
| 3 | 6011719 | 1 | Light, 12V Spot Assy. |
| 4 | 2400157 | 2 | Hand Lock Knob, 5/16-18 x 1" |
| 5 | 2800062 | 1 | Toggle Switch On/Off |
| 6 | 2800063 | 1 | Toggle Switch Boot |
| 7 | 2900310 | 2 | Cap Screw, Hex Hd., M6-1.0 x 20mm |
| 8 | 2900302 | 2 | Lock Nut, M6-1.0 Nylon Insert |
| 9 | 6010859 | 1 | Wire Assy., 16 Ga., White, 13" |
| 10 | 6010852 | 1 | Wire Assy., 18 Gage, Black, 41-1/4" |

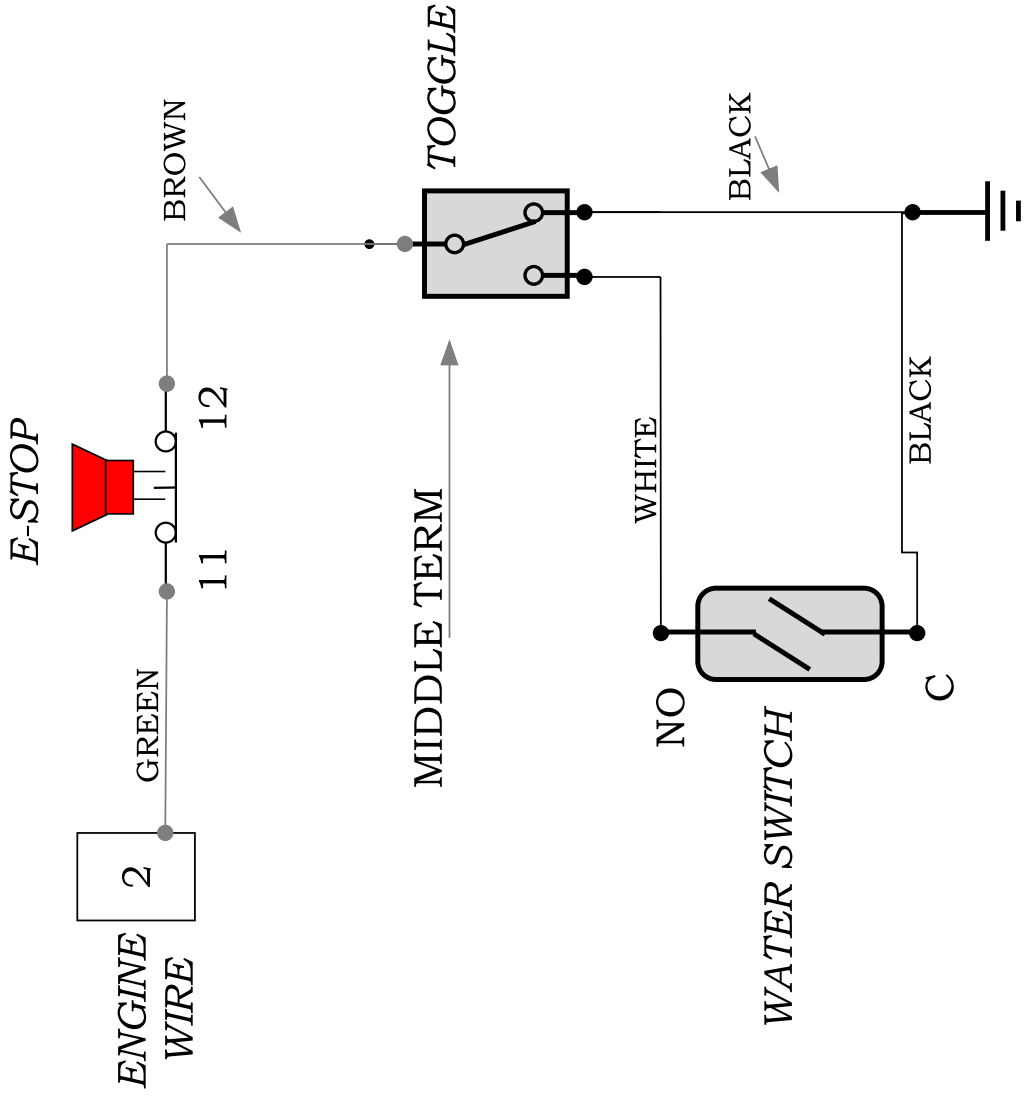
NEW V-TWIN HONDA



| | | | | | |
|---------------|-------------------|--------------------|-------------------------|-------------------------|------------------|
| (A) FUSE | (D) FUEL SOLENOID | (G) STATOR/CHARGER | (J) WATER SAFETY SW. | (M) EMERGENCY STOP | (P) RAISE BUTTON |
| (B) OIL ALERT | (E) STARTER | (H) IGNITION COIL | (K) BATTERY DISCONNECT | (N) HYD. RAISE SOLENOID | (Q) LOWER BUTTON |
| (C) OIL ALERT | (F) BATTERY | (I) IGNITION COIL | (L) RECTIFIER/REGULATOR | (O) HYD LOWER COIL | |

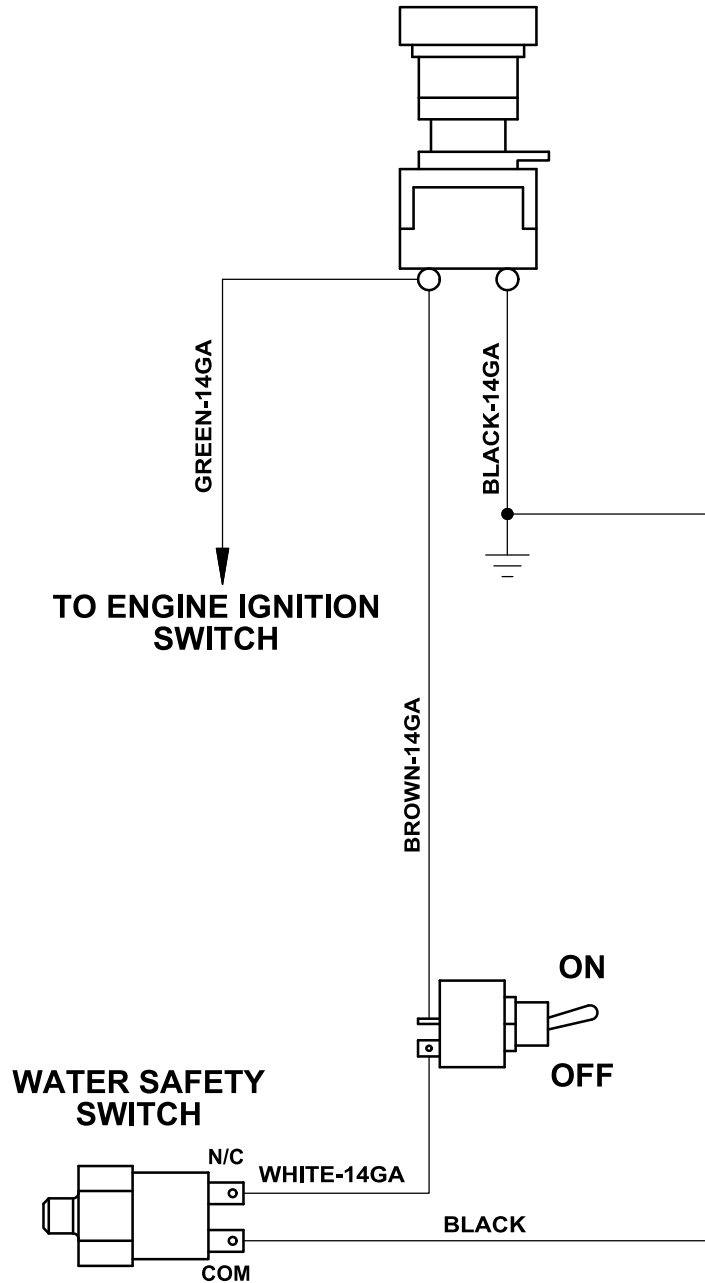
WATER SAFETY SWITCH OPTION #6041358

FOR HONDA MODELS # GX630 / GX660 / GX690
WHICH HAVE A CLOSED LOOP GROUNDING SYSTEM

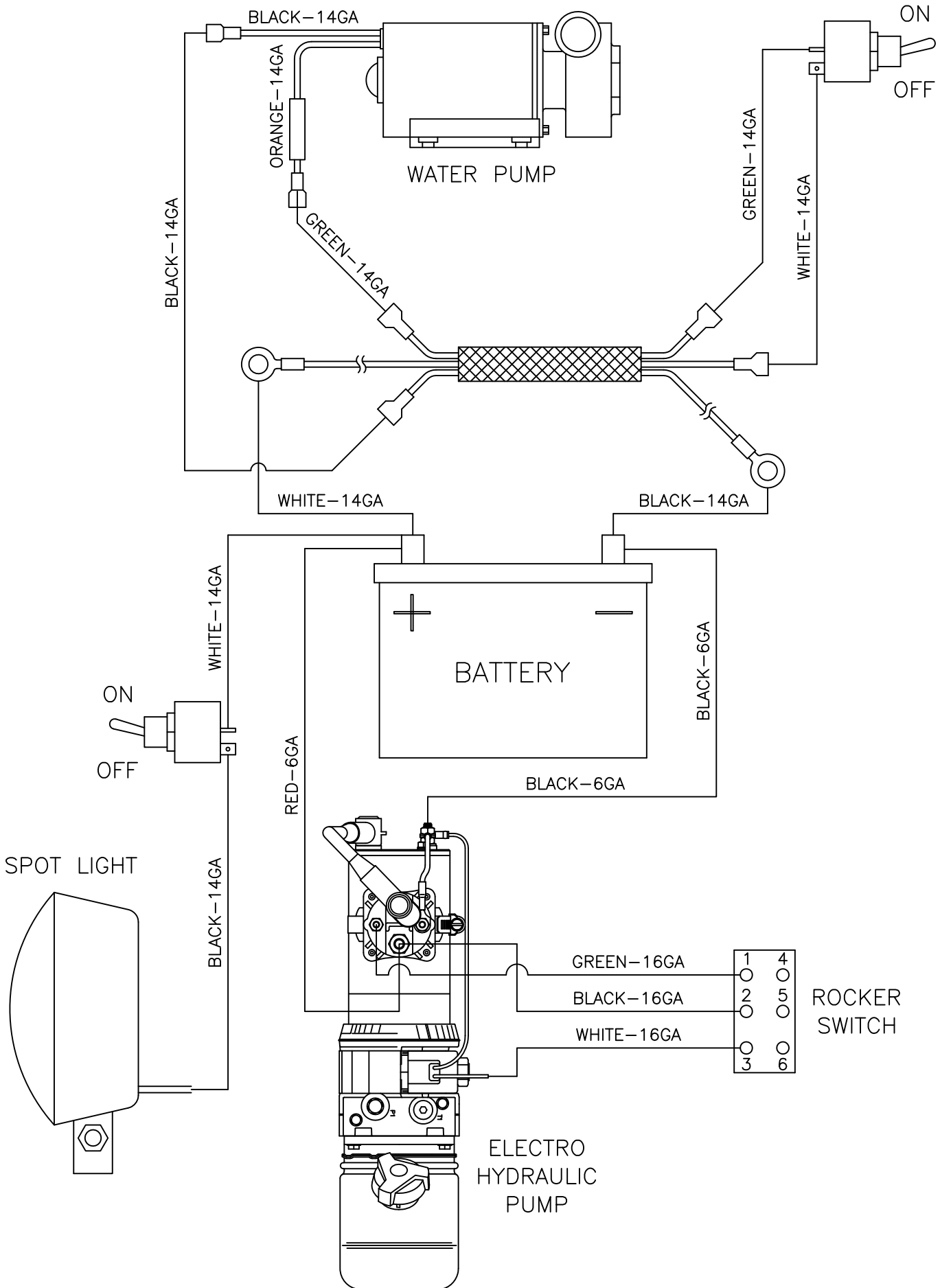


WATER SAFETY SWITCH OPTION
**(FOR ALL ENGINES/MOTORS EXCEPT HONDA V-TWIN
MODELS #GX630/GX660/GX690)**

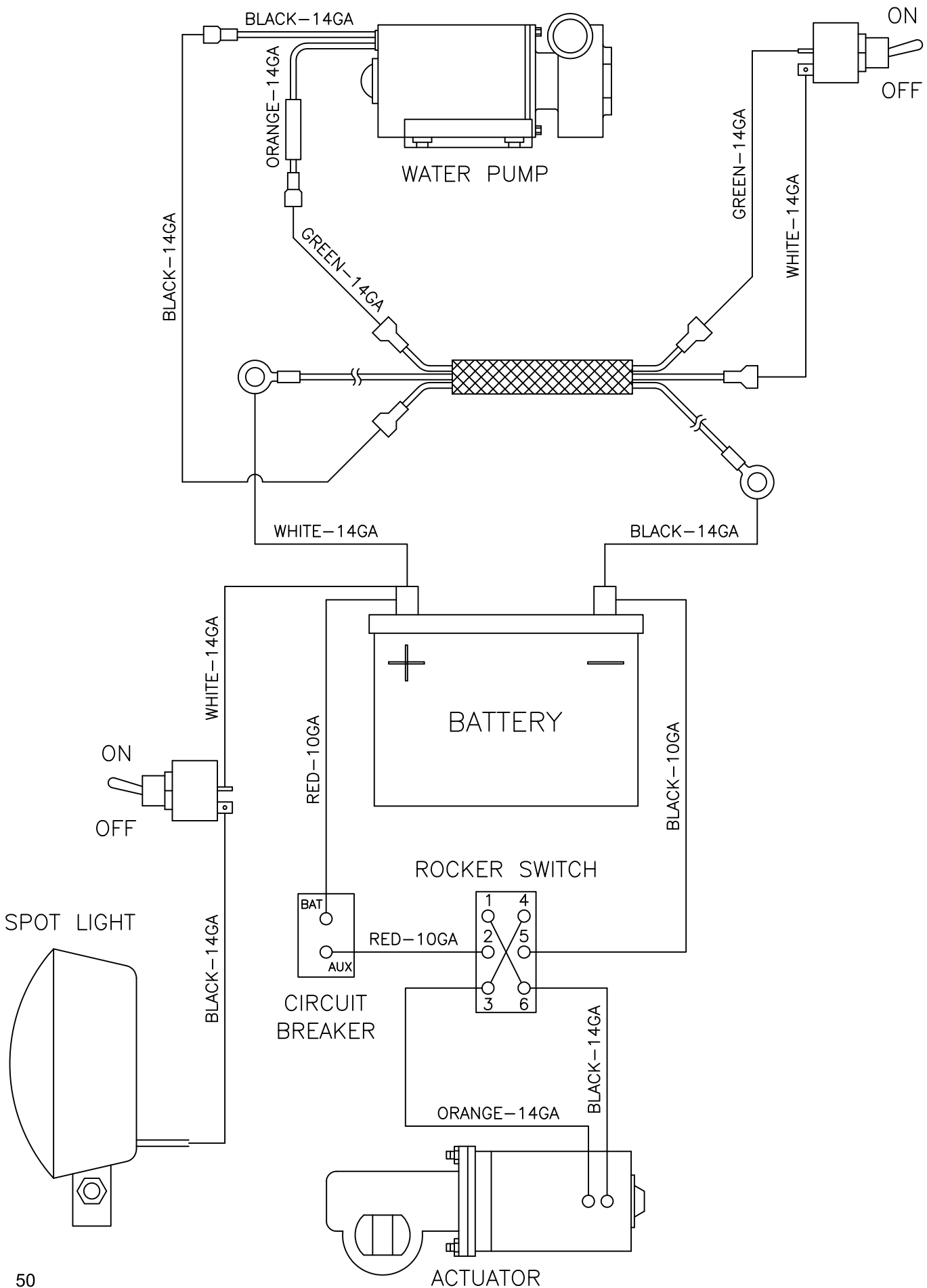
EMERGENCY STOP BUTTON



OPTIONS WIRING DIAGRAM FOR HYDRAULIC RAISE/LOWER



OPTIONS WIRING DIAGRAM FOR ELECTRIC RAISE/LOWER



Decal Group



SAW LABEL SHEET
#1800417



CORE CUT DECAL
#1800416 (QTY. 2)



WARNING DECAL
#1800001

Blade / Engine Speed (RPM) Chart Model CC2500 Concrete Saw

CAUTION: Do not exceed Bladeshaft speed (RPM) shown for each blade size. Excessive Blade Speed could result in blade breakage and serious personal injury.

| Gasoline Engine Speeds | | | | |
|------------------------|-------------|-------------|-------------|-------------|
| Blade Size | Bladeshaft | | Engine | |
| | No Load RPM | Sheave Size | No Load RPM | Sheave Size |
| 14" | 2,625 | 4.12" | 3,600 | 3.00 |
| 18" | 2,625 | 4.12" | 3,600 | 3.00 |
| 20" | 2,625 | 4.12" | 3,600 | 3.00 |
| 24" | 2,025 | 4.75" | 3,200 | 3.00 |
| 26" | 2,025 | 4.75" | 3,200 | 3.00 |

| Electric Motor Speeds | | | | |
|-----------------------|-------------|-------------|-------------|-------------|
| Blade Size | Bladeshaft | | Motor | |
| | No Load RPM | Sheave Size | No Load RPM | Sheave Size |
| 14" | 2,625 | 4.12" | 3,600 | 3.00 |
| 18" | 2,625 | 4.12" | 3,600 | 3.00 |
| 20" | 2,625 | 4.12" | 3,600 | 3.00 |
| 24" | 2,275 | 4.75" | 3,600 | 3.00 |
| 26" | 2,275 | 4.75" | 3,600 | 3.00 |

CAUTION: When changing blade size, use chart shown below for selecting items that must be changed.

| BLADE SIZE | MAX DEPTH OF CUT |
|------------|------------------|
| 14" | 4-3/8" |
| 18" | 6-3/8" |
| 20" | 7-3/8" |
| 24" | 9-3/8" |
| 26" | 10-3/8" |

| MODEL CC2500 | 14" | 20" | 26" |
|------------------------------------|--------------------|--------------------|--------------------|
| Blade Guard Assembly | 6010950 | 6010952 | 6010954 |
| Bladeshaft Sheave (Sheave Size) | 6047947 (4.12") | 6047947 (4.12") | 6047948 (4.75") |
| | | | |

EQUIPMENT AND PARTS WARRANTY

Diamond Products warrants all equipment manufactured by it against defects in workmanship or materials for a period of one (1) year from the date of shipment to Customer.

The responsibility of Diamond Products under this Warranty is limited to replacement or repair of defective parts at Diamond Products' Elyria, Ohio factory, or at a point designated by it, of such parts as shall appear to us upon inspection at such parts, to have been defective in material or workmanship, with expense for transportation and labor borne by Customer.

In no event shall Diamond Products be liable for consequential or incidental damages arising out of the failure of any Product to operate properly.

Integral units such as engines, electric motors, batteries, transmissions, etc., are excluded from this Warranty and are subject to the prime manufacturer's warranty.

THIS WARRANTY IS IN LIEU OF ALL OTHER WARRANTIES, EXPRESSED OR IMPLIED, AND ALL SUCH OTHER WARRANTIES ARE HEREBY DISCLAIMED.



333 Prospect Street, Elyria, Ohio 44035
(440) 323-4616 • (800) 321-5336 • Fax (440) 323-8689
www.diamondproducts.com