



WALL SAW  
PARTS LIST

**MODEL  
CC1600**

April 2019

Part # 1800714

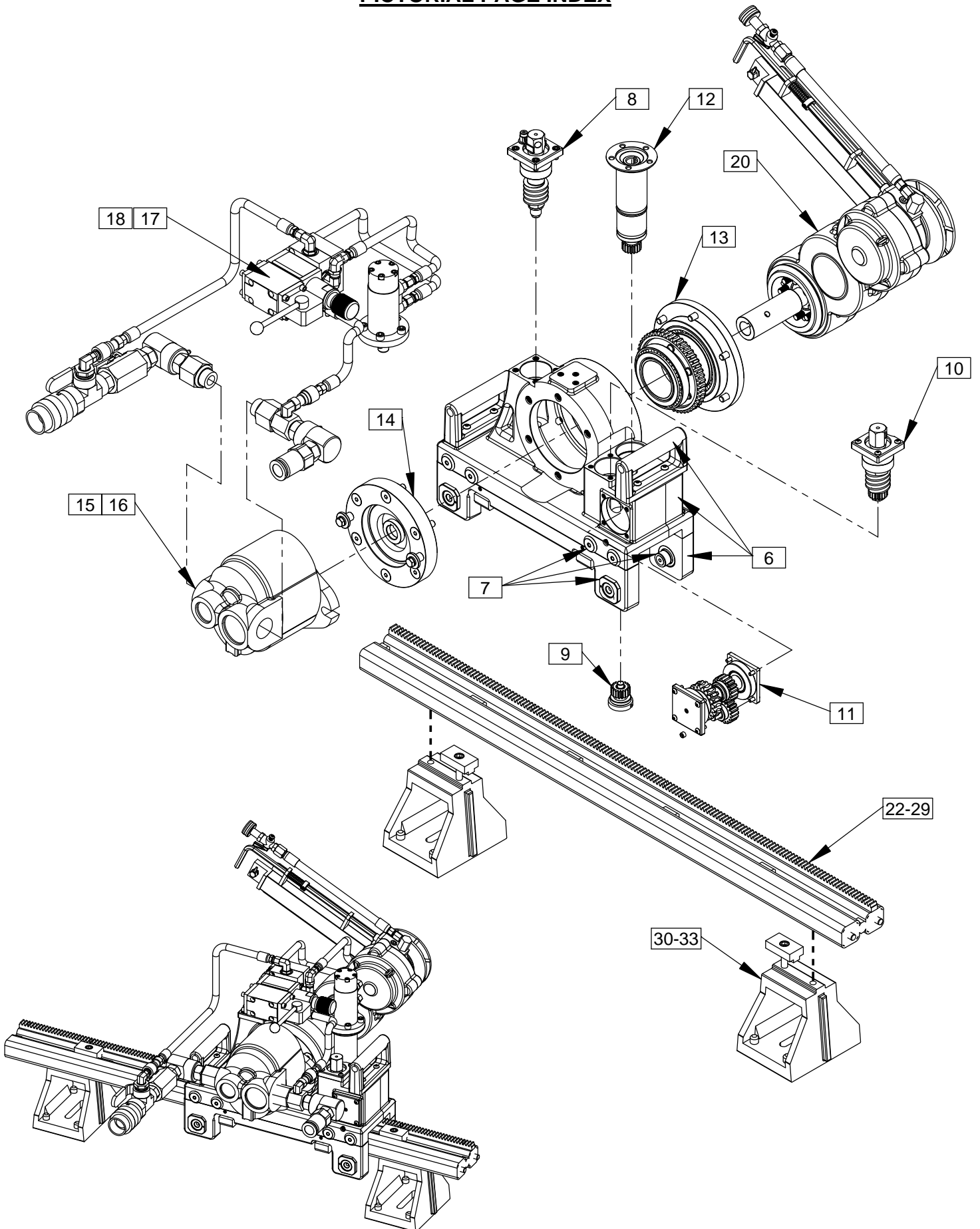


## **Table of Contents**

Pictorial Page Index .....	5	40” Track Assembly with Stiffener .....	22
Carriage Assembly .....	6	51” Track Assembly with Stiffener .....	23
Roller Assembly.....	7	90” Track Assembly with Stiffener .....	24
Blade Depth Control Assembly .....	8	120” Track Assembly with Stiffener .....	25
Travel Idler Gear Assembly.....	9	40” Track Assembly without Stiffener .....	26
Manual Travel Assembly .....	10	51” Track Assembly without Stiffener .....	27
Travel Transfer Assembly.....	11	90” Track Assembly without Stiffener .....	28
Feed Motor Assembly.....	12	120” Track Assembly without Stiffener .....	29
Bearing Housing Assembly .....	13	Standard Track Foot Assembly.....	30
Blade Motor Attachment Assembly.....	14	Angle Track Foot Assembly .....	31
Cross Motor 3.8 .....	15	Angle Stiffener Foot Assembly .....	32
Cross Motor 5.2 .....	16	Angle Track & Stiffener Foot Assembly .....	33
Manual Operation Assembly .....	17	Stair Track Foot Assembly .....	34
Hydraulic Assembly.....	18	LongYear Style Track Foot Assembly .....	35
Pivoting Gearbox Assembly .....	20	Warranty .....	36

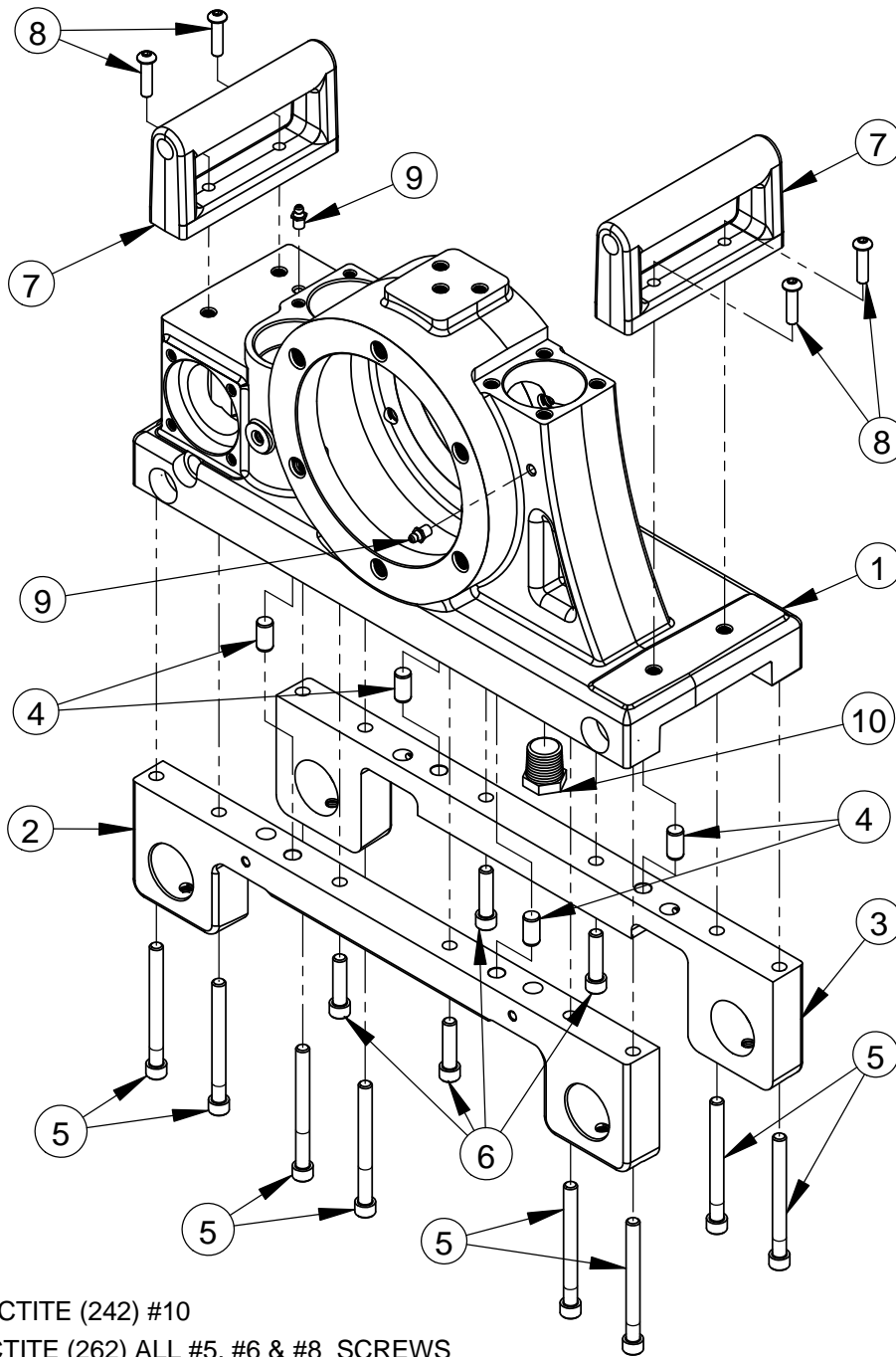


# PICTORIAL PAGE INDEX



Shown With Hydraulic Operation Feature, Cross 3.8 Hydraulic Motor, 40" Track without Stiffener, and LongYear Style Track Feet

**Carriage Assembly  
#6084000**

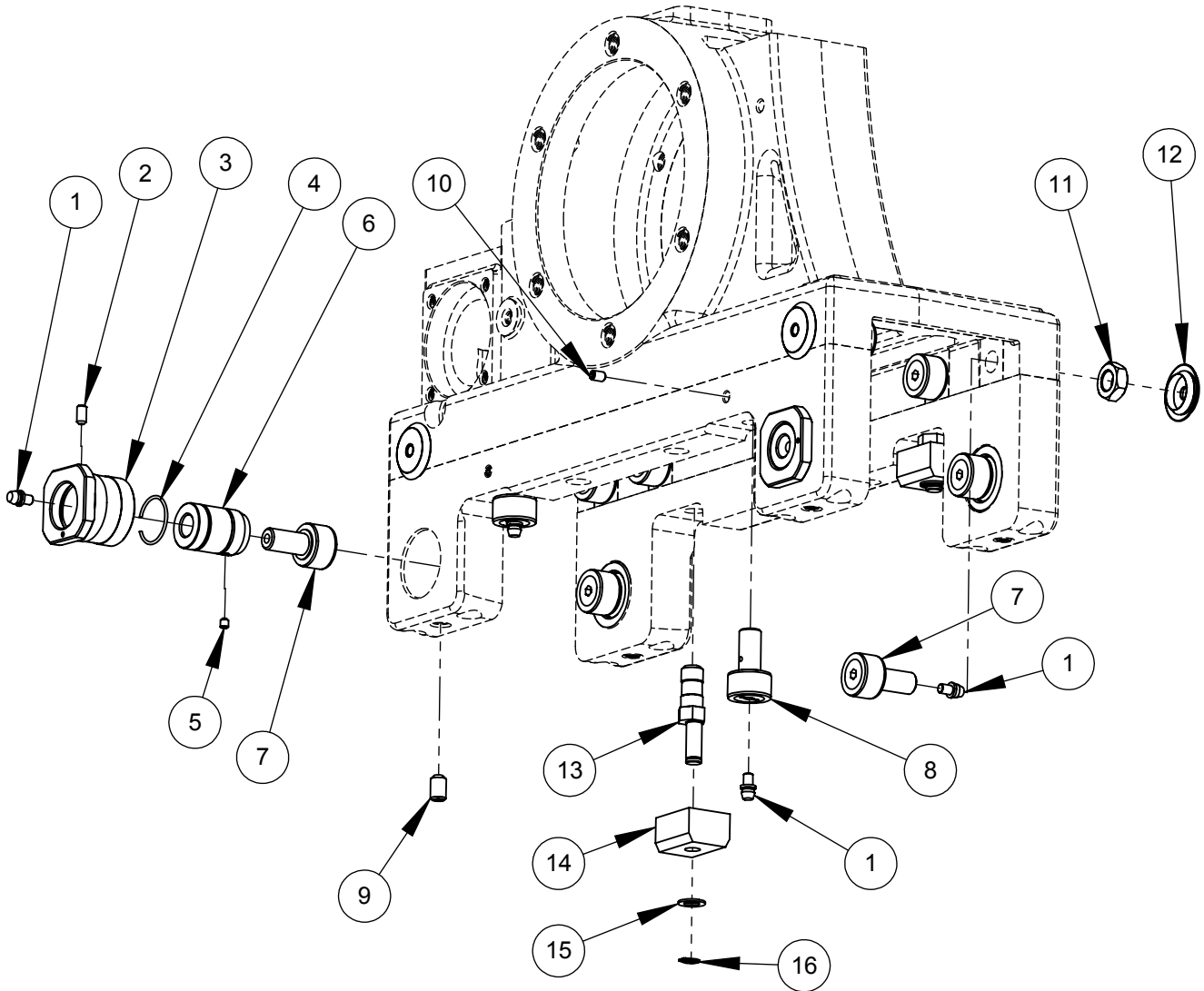


BLUE LOCTITE (242) #10

RED LOCTITE (262) ALL #5, #6 & #8 SCREWS

ITEM	PART No.	QTY.	DESCRIPTION
1	6084139	1	Main Housing Machining
2	6084140	1	Front Leg Machining
3	6084141	1	Rear Leg Machining
4	2900517	4	Dowel Pin, 3/8" Dia. x 3/4"
5	2900613	8	Cap Screw, Soc. Hd., 5/16-18 x 3-1/4
6	2900176	4	Cap Screw, Soc. Hd., 5/16-18 x 1-1/4"
7	6084132	2	Lift Handle Machined
8	2901229	4	Cap Screw, Button Hd., 1/4-20 x 1"
9	2900614	2	Grease Fitting, 1/4-28 Str. Thrd
10	3200160	1	Plug, 1/2-14 NPT

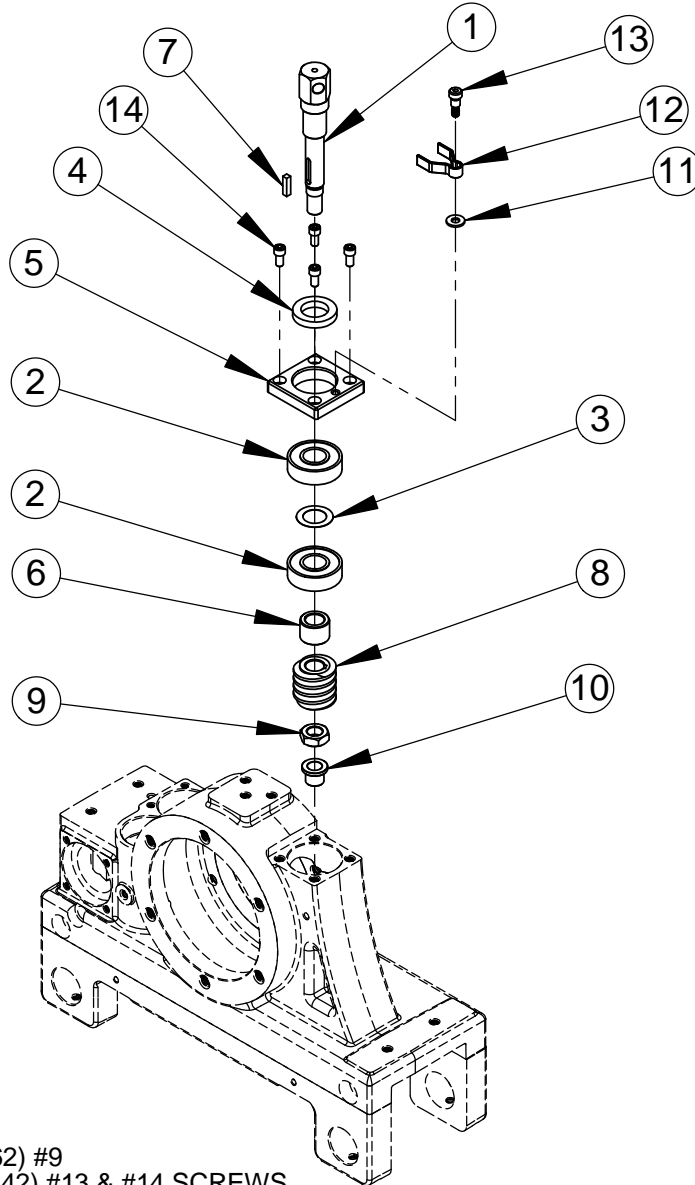
**ROLLER ASSEMBLY**  
**#6084006**



BLUE LOCTITE (242) ALL #5, #9, & #10 SCREWS

ITEM	PART NO.	QTY.	DESCRIPTION
1	2900909	12	Grease Fitting, Straight Drive, 3/16"
2	2900616	4	Set Screw, Soc. Hd., #10-24 x 3/8"
3	6084010	4	Lower Roller Eccentric Bushing
4	2500788	4	Lower Roller Detent Spring
5	2900615	4	Set Screw, Soc. Hd., #8-32 x 3/16"
6	6084009	4	Lower Block Sliding Sleeve
7	2500705	10	Cam Roller, 7/8"DIA, Sealed, Hex Drive
8	2504735	2	Cam Roller, 7/8"DIA, Sealed, Screw Driver Slot
9	2900617	4	Set Screw, Soc. Hd., 5/16-18 x 1/2"
10	2900118	4	Set Screw, Soc. Hd., #10-24 x 5/16"
11	2900655	6	Jam Nut, 7/16-20
12	6087041	6	Upper Roller Cover
13	6084007	2	Side Roller Block Shaft
14	6084008	2	Side Guide Block
15	2900987	2	Side Roller / Block Shaft Shim
16	2501607	2	Retaining Ring, 5/16" External

**BLADE DEPTH CONTROL ASSEMBLY**  
**#6084013**

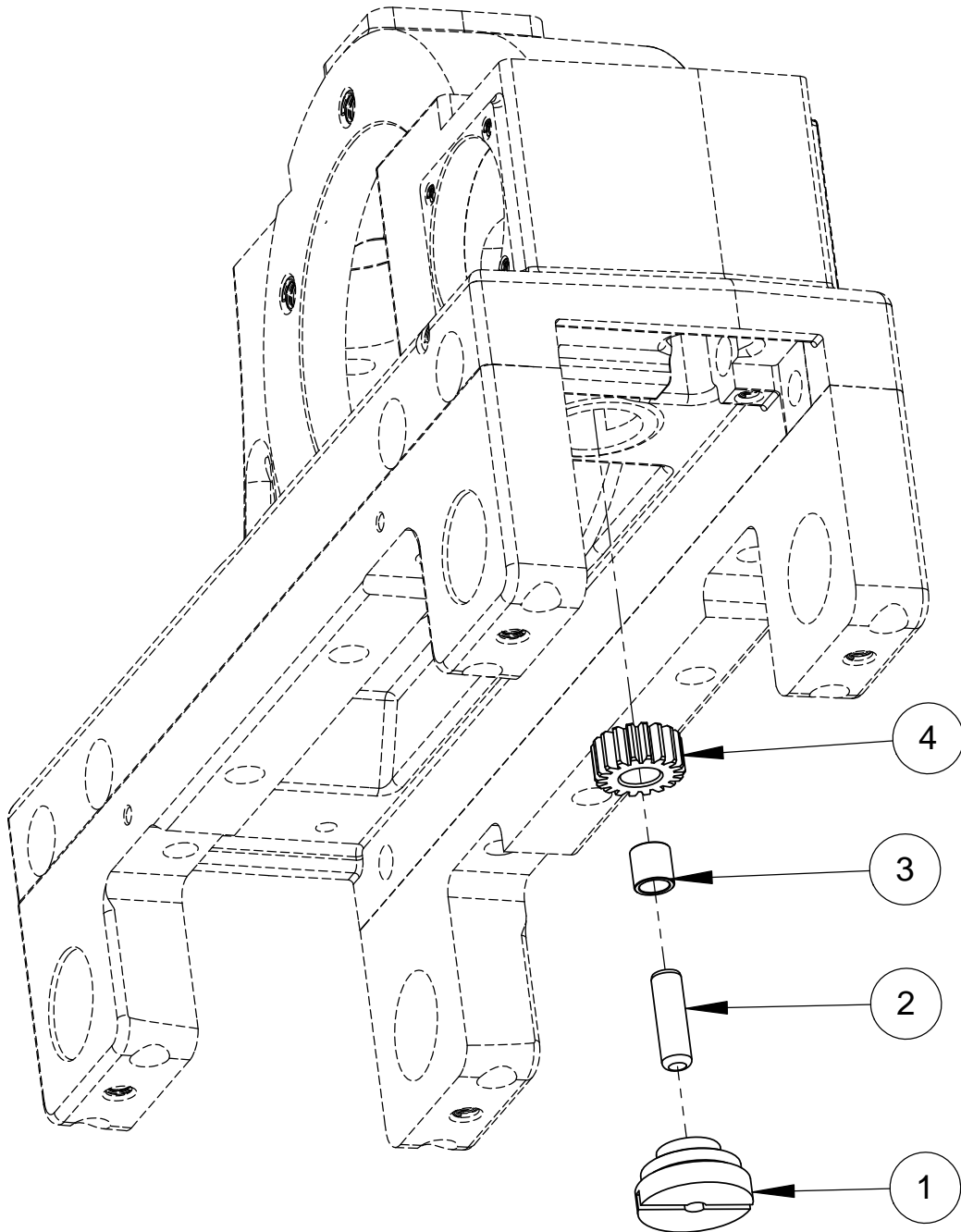


RED LOCTITE (262) #9  
 BLUE LOCTITE (242) #13 & #14 SCREWS

ITEM	PART NO.	QTY.	DESCRIPTION
1	6084011	1	Worm Shaft
2	2501601	2	Bearing, Worm Shaft
3	2501605	1	Pre-Load Bearing Shim
4	2501609	1	Worm Shaft Seal
5	6084012	1	Bearing Retainer Plate
6	6084065	1	Worm Spacer
7	6048018	1	Key, 3/16" Sq. x 3/4"
8	2501613	1	Worm Gear
9	2900985	1	Jam Nut, 9/16-18
10	2501614	1	Flange Bearing, 1/2 x 5/8 x 5/8
11	2900009	1	Flat Washer, 1/4" SAE
12	6084046	1	Shaft Holding Spring
13	2900968	1	Shoulder Screw, 5/16" x 3/8" (1/4-20)
14	2900122	4	Cap Screw, Soc. Hd., 1/4-20 x 1/2"

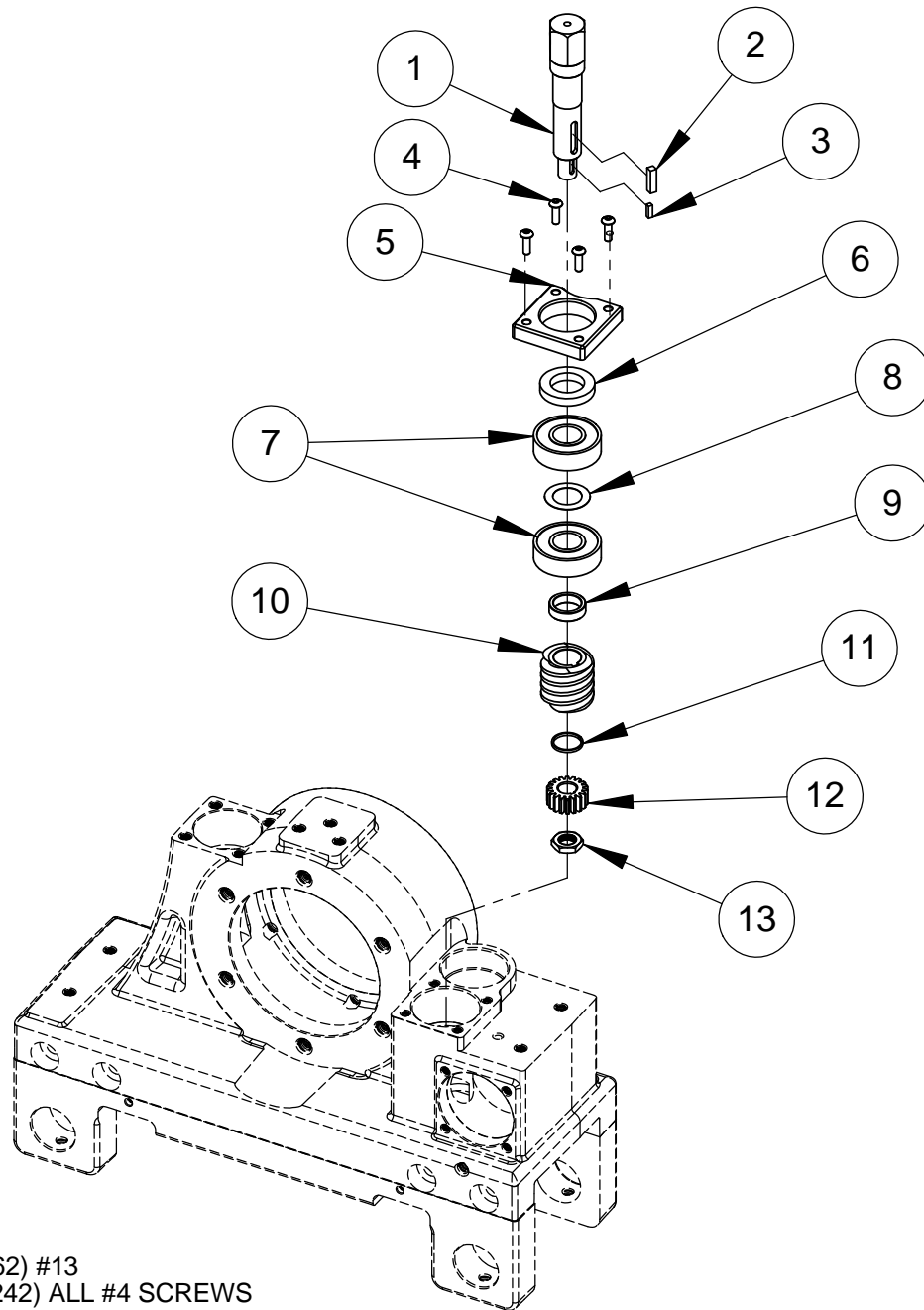


**TRAVEL IDLER GEAR ASSEMBLY**  
**#6084014**



ITEM	PART NO.	QTY.	DESCRIPTION
1	6084015	1	Travel Idler Retainer
2	2900067	1	Dowel Pin, 3/8" Dia. x 1-1/4"
3	2501615	1	Plain Bearing, 3/8 x 1/2 x 1/2
4	6084016	1	Idler Gear

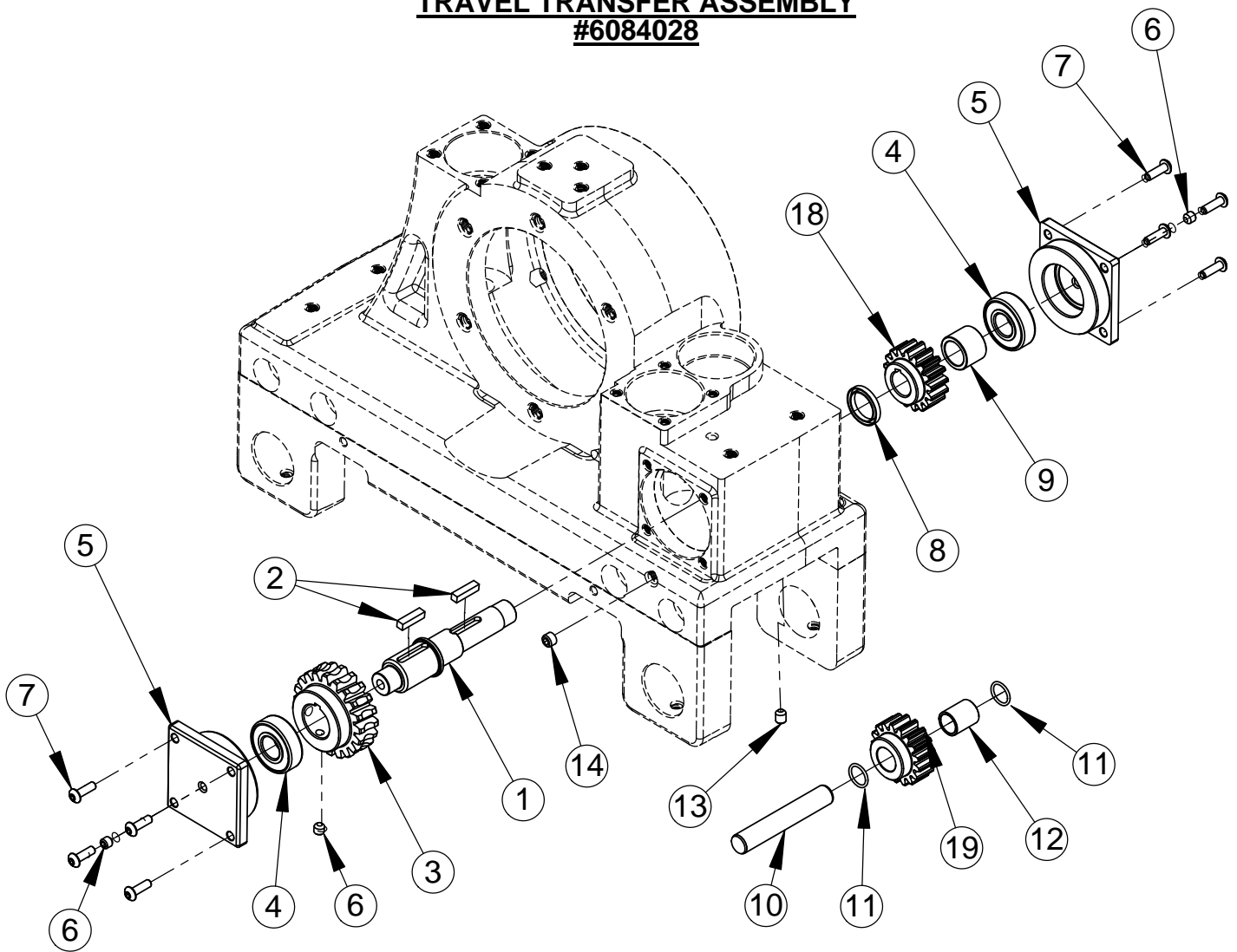
**MANUAL TRAVEL ASSEMBLY**  
**#6084022**



RED LOCTITE (262) #13  
BLUE LOCTITE (242) ALL #4 SCREWS

ITEM	PART NO.	QTY.	DESCRIPTION
1	6084023	1	Manual Travel Worm Shaft
2	6048018	1	Key, 3/16" Sq. x 3/4"
3	2900901	1	Key, 1/8" Sq. x 1/2"
4	2901230	4	Cap Screw, Button Hd., #10-24 x 5/8"
5	6084024	1	Manual Travel Bearing Retainer Plate
6	2501609	1	Worm Shaft Seal
7	2501601	2	Bearing, Worm Shaft
8	2501605	1	Pre-Load Bearing Shim
9	6084025	1	Worm Spacer
10	2501616	1	Worm Gear
11	6084026	1	Spur Gear Spacer
12	6084027	1	Spur Gear
13	2900986	1	Jam Nut, 1/2-20 x 3/16"

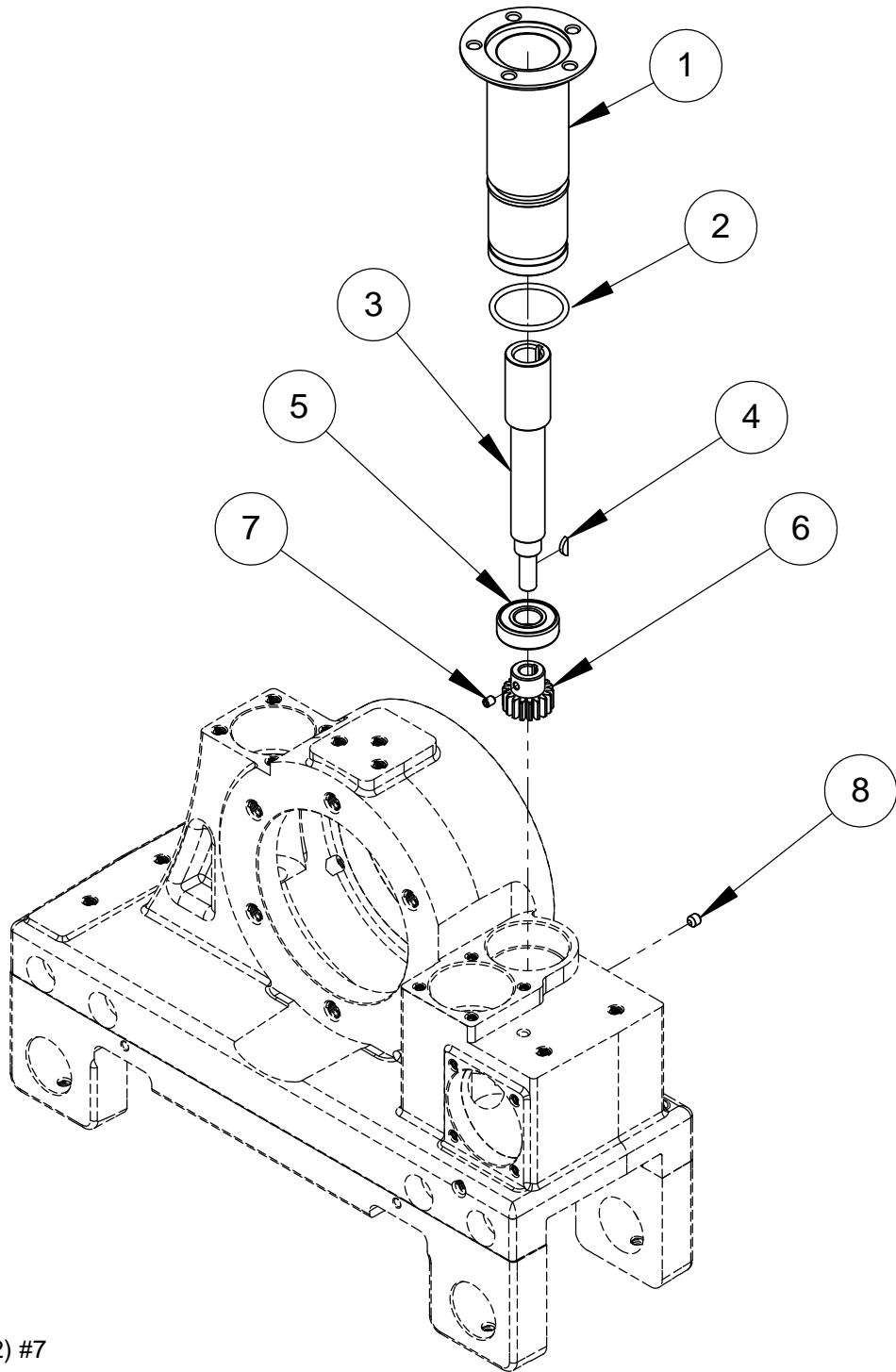
**TRAVEL TRANSFER ASSEMBLY**  
**#6084028**



RED LOCTITE (262) #6 SET SCREW ON #3 WORM GEAR ONLY  
BLUE LOCTITE (242) ALL #6, #7, #15 & #16 SCREWS

ITEM	PART NO.	QTY.	DESCRIPTION
1	6084029	1	Travel Drive Shaft
2	6048018	2	Key, 3/16" Sq. x 3/4"
3	6084031	1	Worm Gear, 10P, 14.5PA, 20T
4	2501582	2	Ball Bearing, 15mm x 35mm x 11mm
5	6084030	2	Bearing Retainer Cap
6	2900056	3	Set Screw, Soc. Hd., 1/4-20 x 1/4"
7	2901230	8	Cap Screw, Button Hd., #10-24 x 5/8"
8	2501608	1	Seal
9	6084033	1	Spacer, Spur Gear .668" OAL
10	6084034	1	Shaft, Rack Pinion Gear
11	2400630	2	O-Ring
12	2501617	1	Plain Bearing, 1/2 x 5/8 x 3/4
13	2900619	1	Set Screw, Soc. Hd., 1/4-20 x 5/16"
14	2900036	1	Set Screw, Soc. Hd., 5/16-18 x 1/4"
18	6084098	1	Spur Gear Travel Drive
19	6084099	1	Pinion Gear Rack

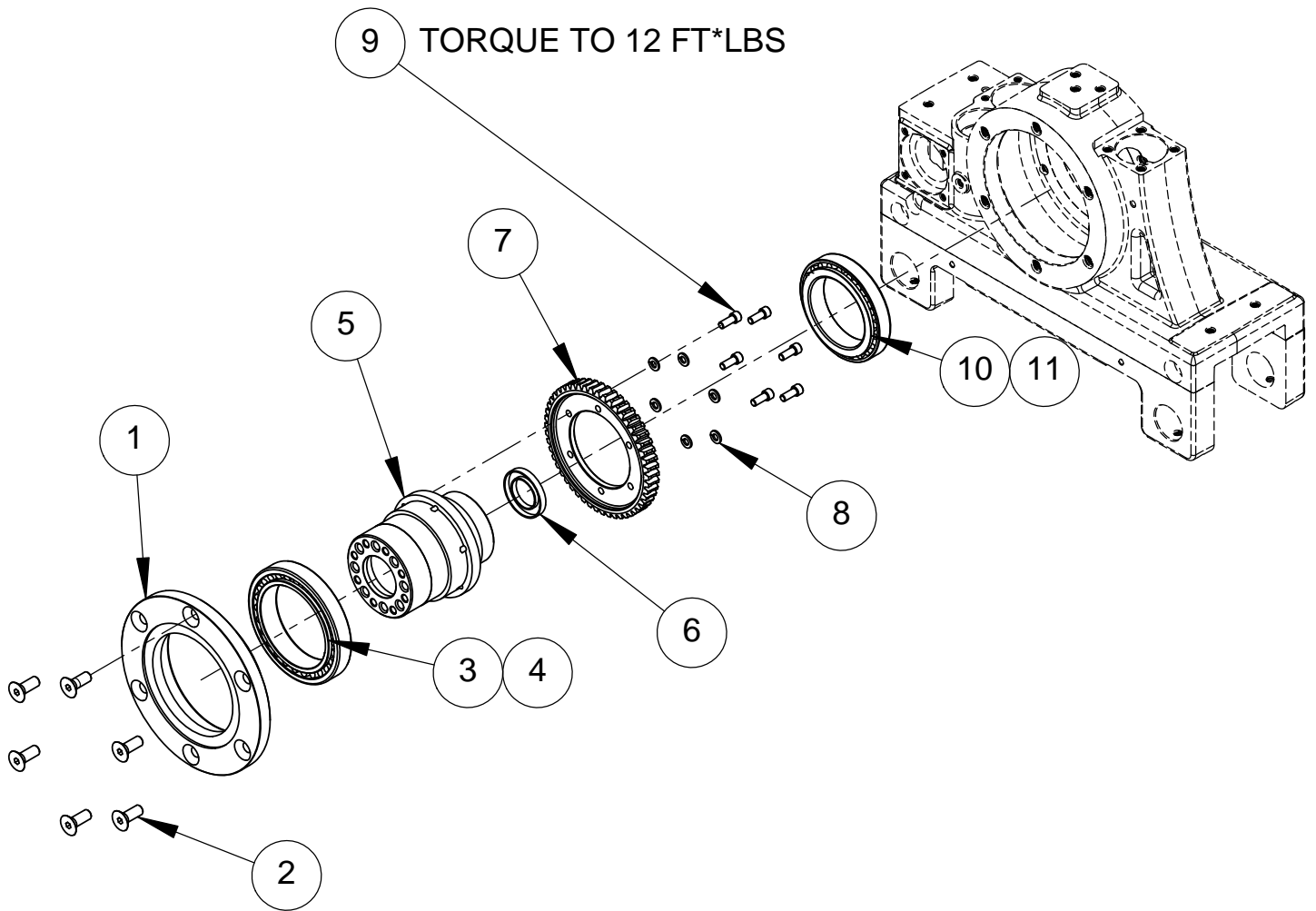
**FEED MOTOR ASSEMBLY**  
**#6084075**



RED LOCTITE (262) #7

ITEM	PART NO.	QTY.	DESCRIPTION
1	6084040	1	Feed Motor Adapter
2	2400631	1	O-Ring, Adapter
3	6084041	1	Feed Motor Shaft Extension
4	2501509	1	Woodruff Key #2
5	2501582	1	Ball Bearing, 15mm x 35mm x 11mm
6	6084042	1	Spur Gear
7	2900059	1	Set Screw, Soc. Hd., #10-32 x 1/4"
8	2900056	1	Set Screw, Soc. Hd., 1/4-20 x 1/4"

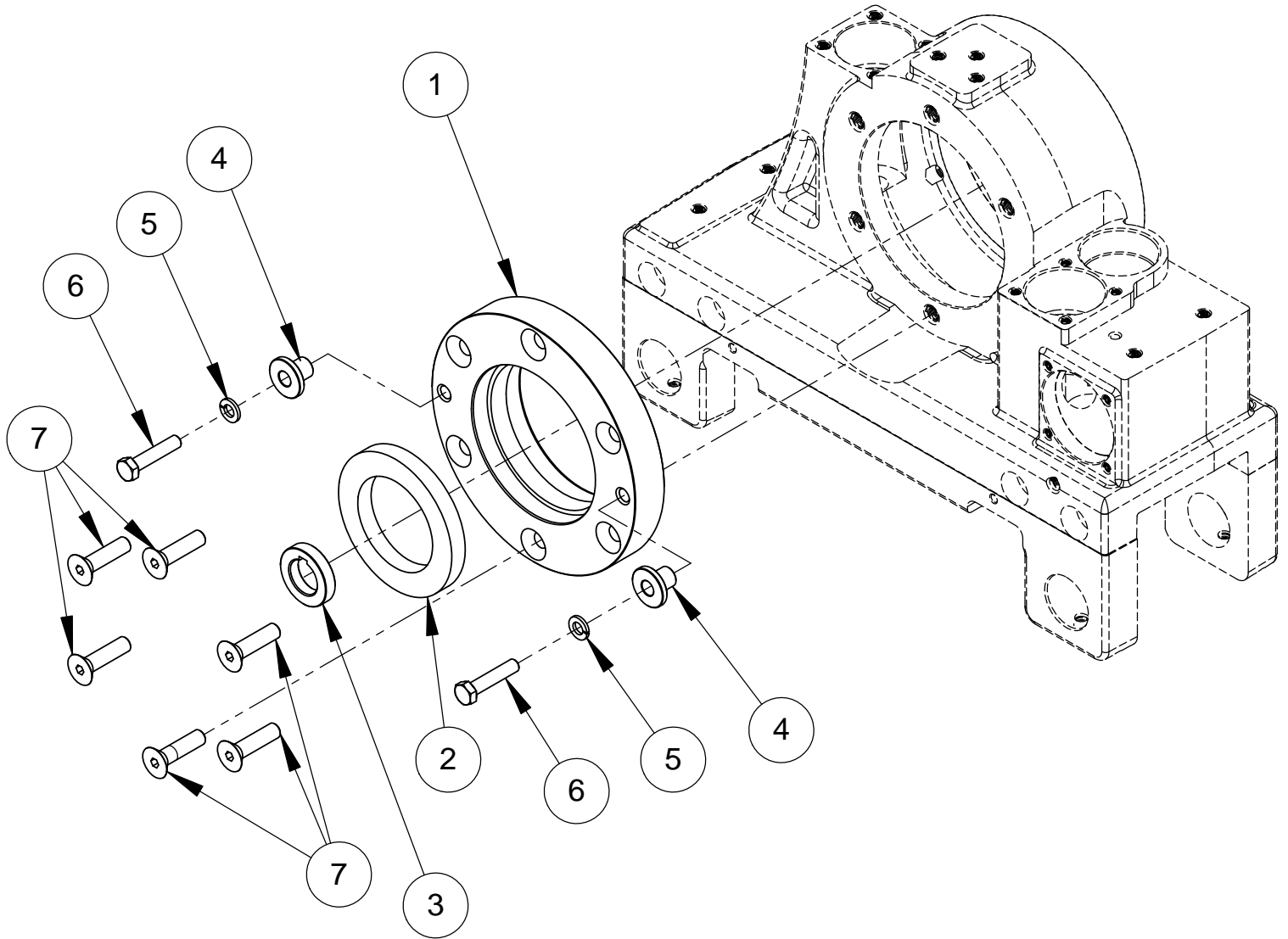
**BEARING HOUSING ASSEMBLY**  
**#6084036**



RED LOCTITE (262) ALL #2 & #9 SCREWS

ITEM	PART NO.	QTY.	DESCRIPTION
1	6084039	1	Bearing Housing Mounting Plate
2	2900235	6	Cap Screw, Flat Hd., 3/8-16 x 1"
3	2501611	1	Tapered Roller Brg Cone; 3.250 ID
4	2501612	1	Tapered Roller Brg Cup, 4.5625" OD
5	6084038	1	Bearing Housing
6	2501610	1	Drive Shaft Seal
7	6084086	1	Main Drive Worm Gear
8	2900024	6	Lock Washer, 1/4" Split
9	2900620	6	Cap Screw, Soc. Hd., 1/4-28 x 5/8
10	2500706	1	Tapered Roller Brg Cone; 2.750 ID
11	2500707	1	Tapered Roller Brg Cup, 4.000 OD

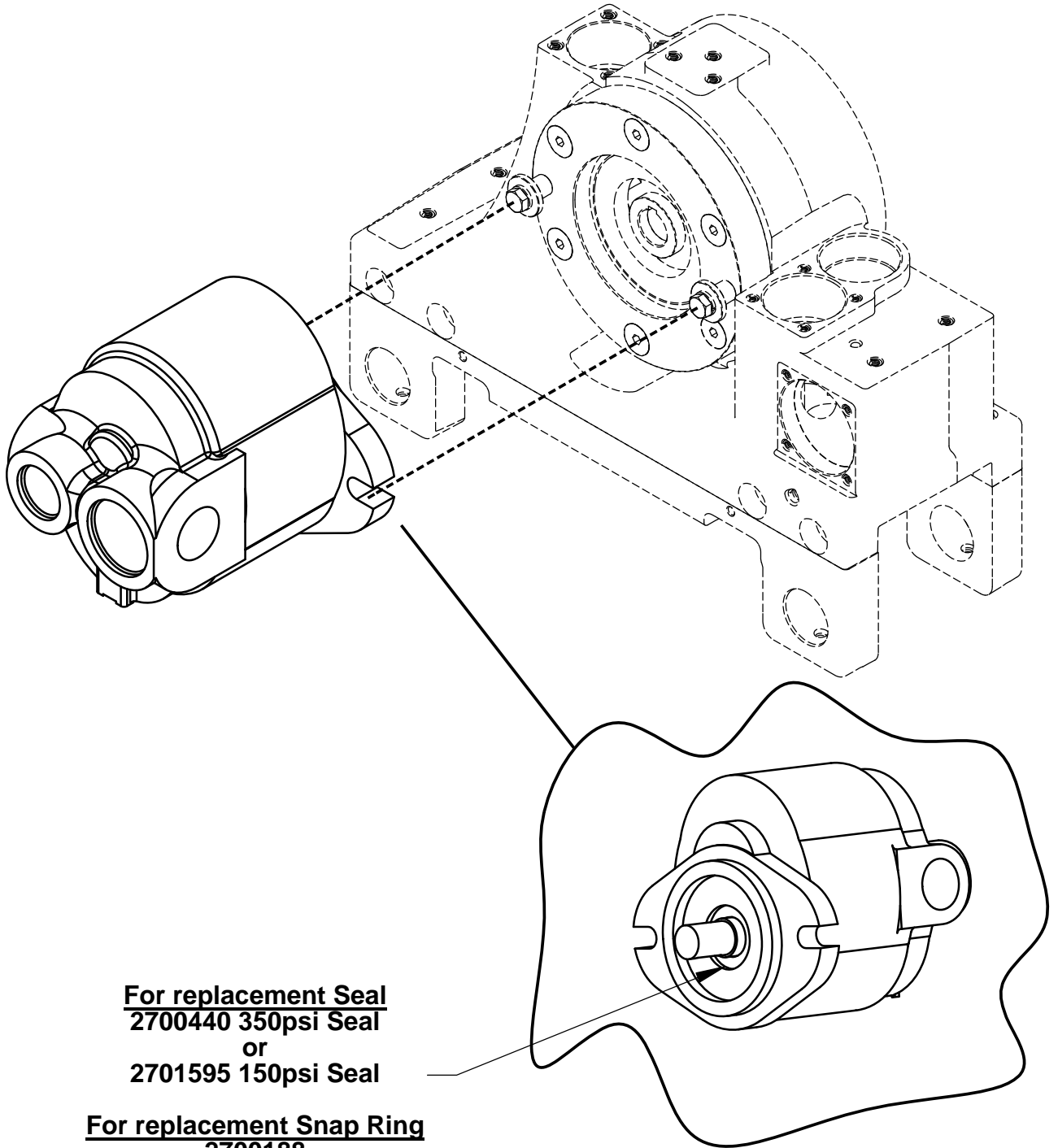
**BLADE MOTOR ATTACHMENT ASSEMBLY**  
**#6084005**



RED LOCTITE (262) #7 SCREWS

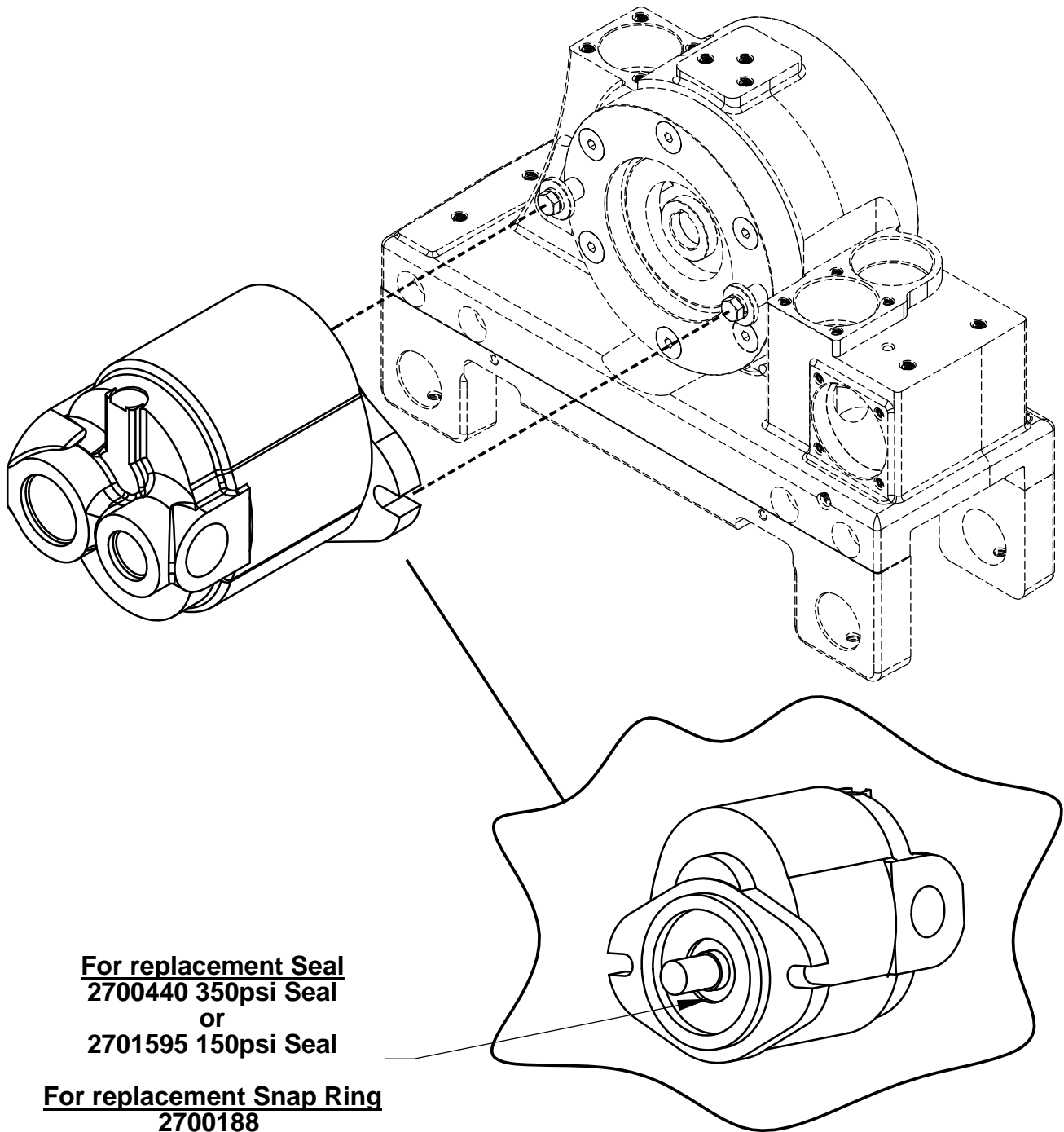
ITEM	PART NO.	QTY.	DESCRIPTION
1	6084067	1	Motor Adapter Plate
2	6084068	1	Sealing Ring - CC1600
3	6084070	1	Spacer, Drive Coupling
4	6084069	2	Blade Motor Mount Bushing
5	2900031	2	Lock Washer, 5/16" Split
6	2900508	2	Cap Screw, Hex Hd., 5/16-18 x 1-1/2"
7	2900428	6	Cap Screw, Flat Hd., 3/8-16 x 1-1/2"

**CROSS MOTOR 3.8**  
**#2600375**



ITEM	PART NO.	QTY.	DESCRIPTION
1	2600375	1	Cross Motor, 3.8 CIR

**CROSS MOTOR 5.2**  
**#2600092**



**For replacement Seal**  
**2700440 350psi Seal**  
**or**  
**2701595 150psi Seal**

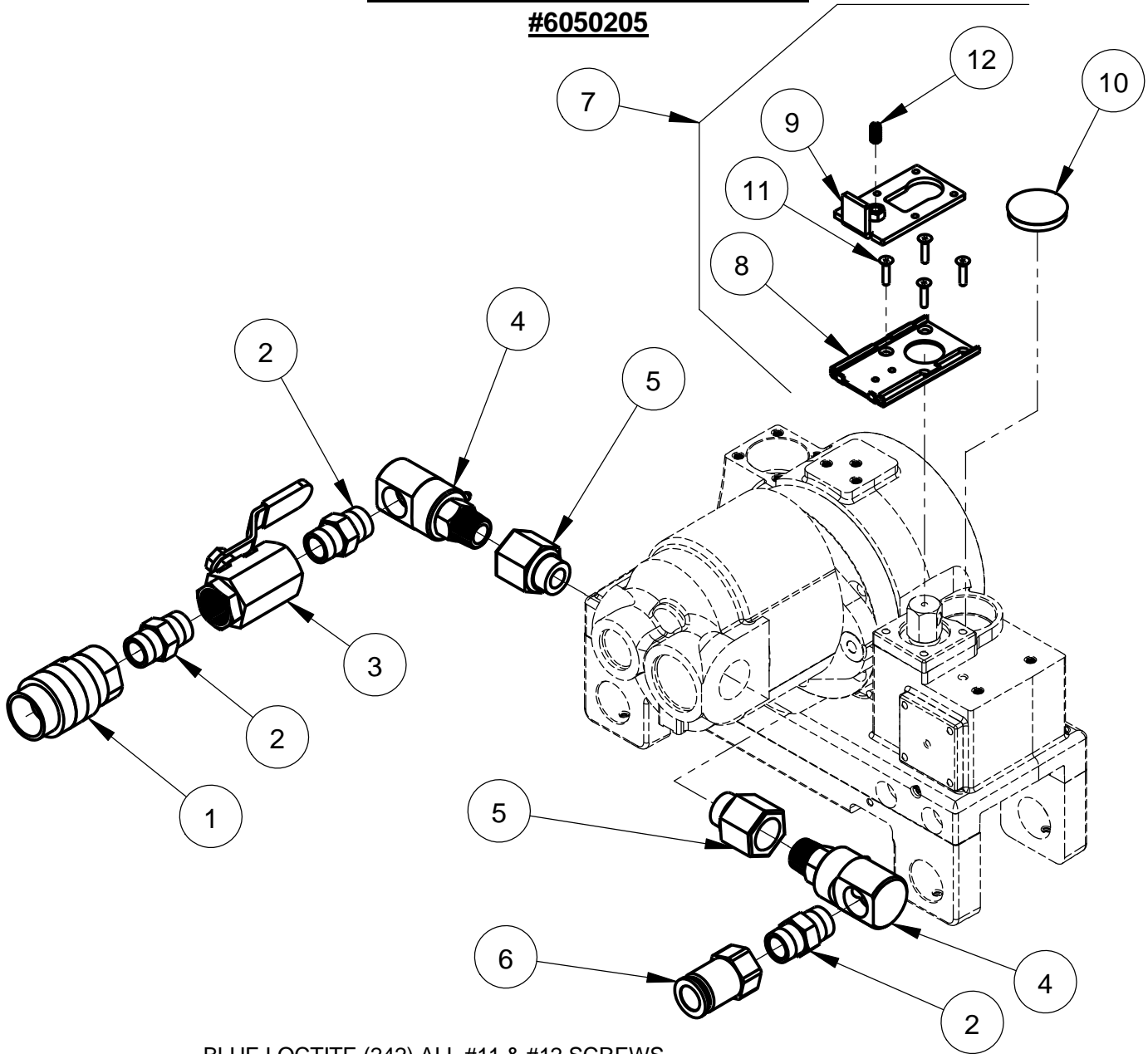
**For replacement Snap Ring**  
**2700188**

ITEM	PART NO.	QTY.	DESCRIPTION
1	2600092	1	Cross Motor, 5.2 CIR



# MANUAL OPERATION ASSEMBLY

#6050205

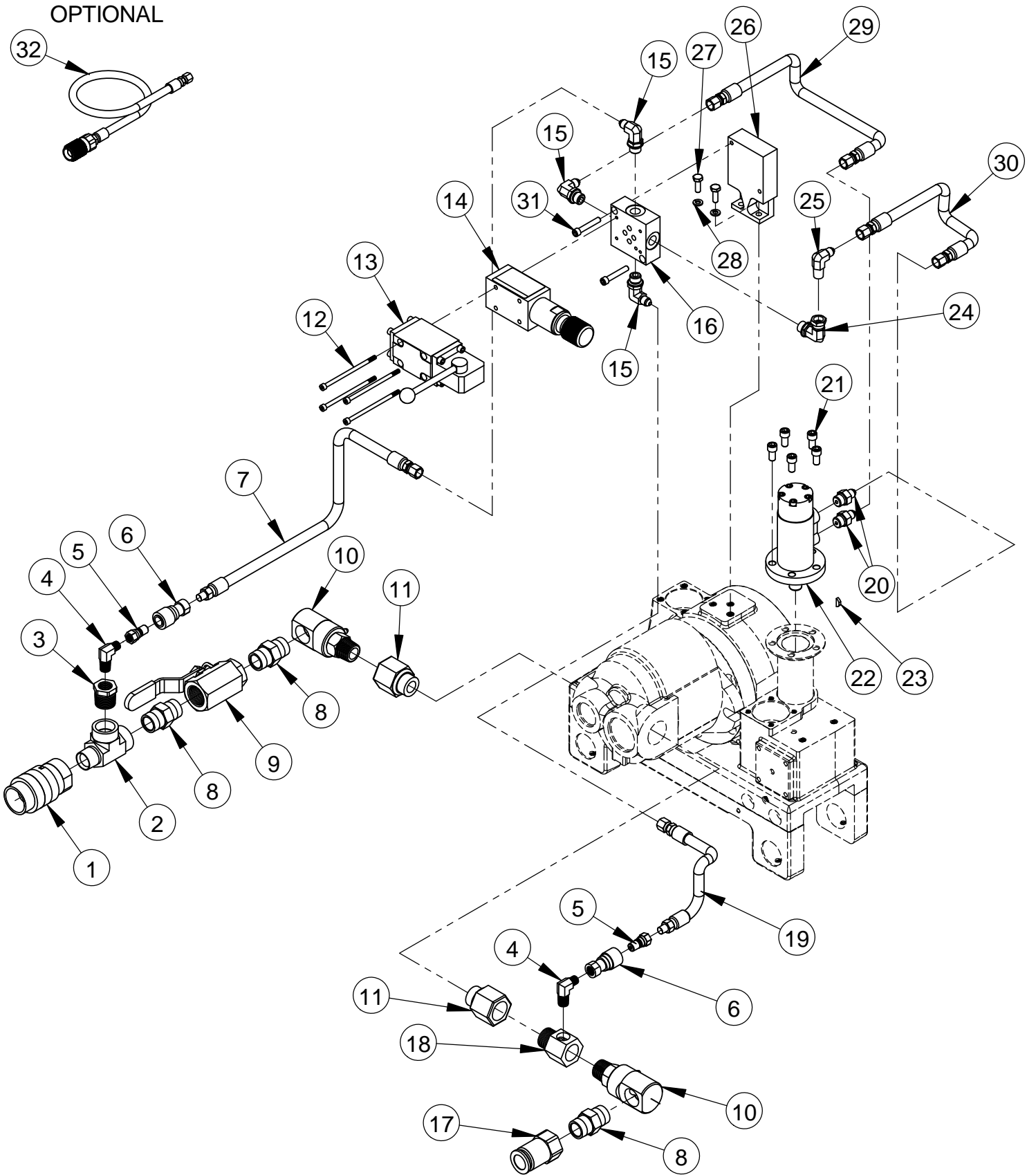


BLUE LOCTITE (242) ALL #11 & #12 SCREWS

ITEM	PART NO.	QTY.	DESCRIPTION
1	3200100	1	Coupler, 3/4" Quick Disconnect
2	3200137	3	Hex Nipple, 3/4" NPT
3	3200005	1	Ball Valve, 3/4" Pipe
4	3200133	2	Swivel, 3/4" M. to 3/4" F. Pipe
5	3200138	2	Adapter, 1" O-Ring to 3/4" F. Pipe
6	3200101	1	Nipple, 3/4" Quick Disconnect
7	6084120	1	Lock Plate Ass'y (Includes #8-#12)
8	6084117	1	Bottom Lock Plate
9	6084118	1	Sliding Plate Ass'y
10	6084116	1	Plug
11	2900646	4	Cap Screw, Flat Hd., #10-24 x 7/8
12	2501686	1	Ball Nose Plunger, 5/16-18

# HYDRAULIC ASSEMBLY

#6050201



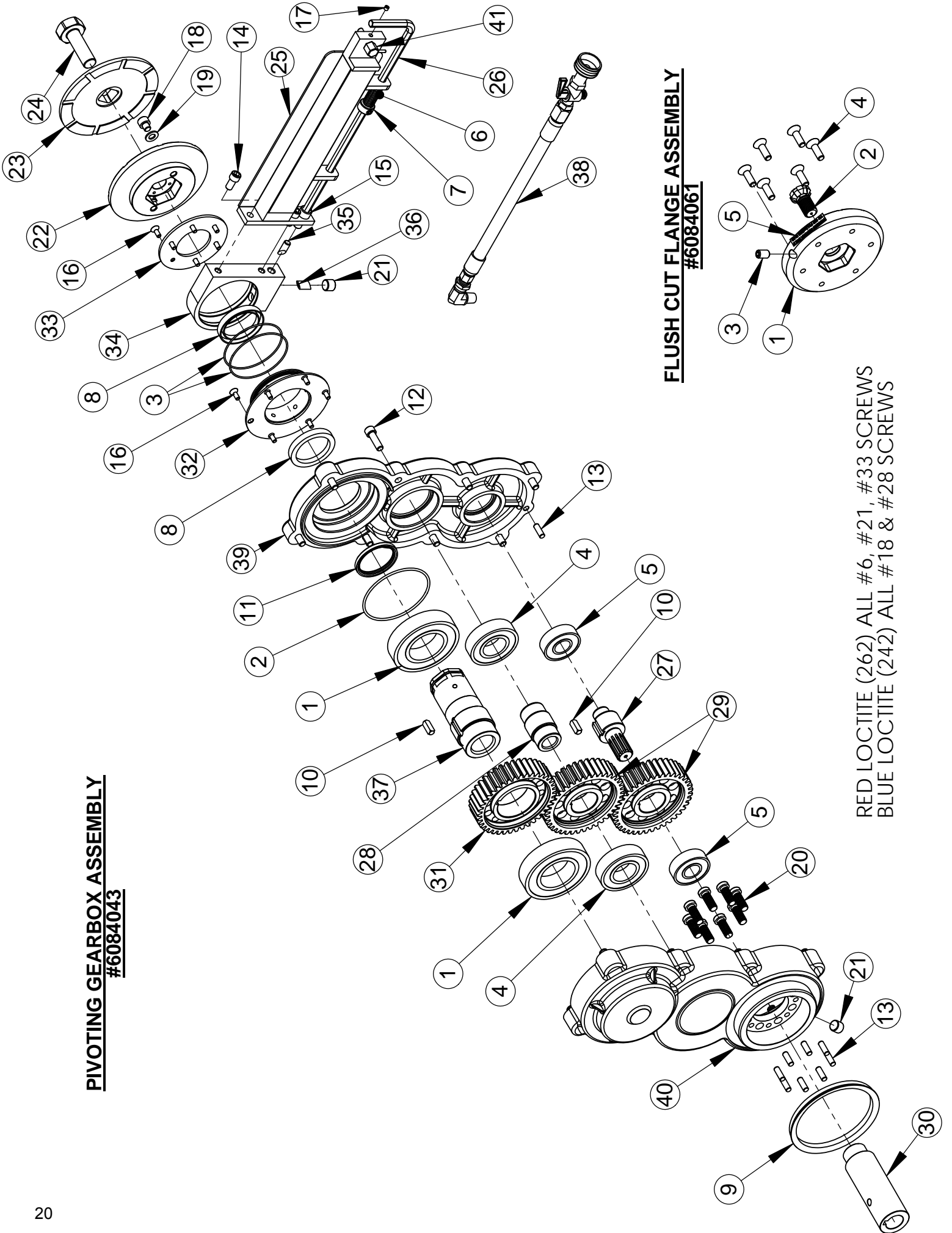
BLUE LOCTITE (242) ALL #12, #21, #27 & # 31 SCREWS

**HYDRAULIC ASSEMBLY****#6050201**

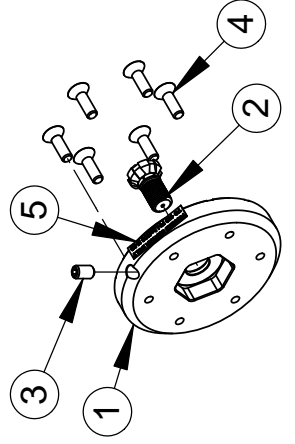
ITEM	PART NO.	QTY.	DESCRIPTION
1	3200100	1	Coupler, 3/4" Quick Disconnect
2	3200310	1	Tee, 3/4" M. to 3/4" F. Pipe Run
3	3200311	1	Reducer, 3/4" M. to 1/4" F. Pipe
4	3200530	2	Elbow, 1/8" to 1/4" Male Pipe
5	3200314	2	Nipple, 1/8" Quick Disconnect
6	3200315	2	Coupler, 1/8" Quick Disconnect
7	6084020	1	Hyd. Hose Assy, 1/4" X 21" Long
8	3200137	3	Hex Nipple, 3/4" NPT
9	3200005	1	Ball Valve, 3/4" Pipe
10	3200133	2	Swivel, 3/4" M. to 3/4" F. Pipe
11	3200138	2	Adapter, 1" O-Ring to 3/4" F. Pipe
12	2900627	4	Cap Screw, Soc. Hd., #10-24 x 3-5/8"
13	3200547	1	Directional Valve
14	3200506	1	Valve, Pressure Control
15	3200551	3	Elbow, 3/8" O-Ring to 1/4" M. JIC
16	3200143	1	Subplate
17	3200101	1	Nipple, 3/4" Quick Disconnect
18	6050041	1	Adapter, 3/4" M. to 3/4" F. Pipe, Drilled
19	6084021	1	Hyd. Hose Ass'y, 1/4" x 5" Long
20	3200375	2	Adapter, 3/8" O-Ring to 1/4" M. JIC
21	2900898	4	Cap Screw, Soc. Hd., 5/16-18 x 5/8"
22	2600346	1	Hydraulic Motor, 1.88 CIR
23	2700233	1	Woodruff Key #404, 1/8" x 1/2"
24	3200115	1	Elbow, 3/8" O-Ring to 1/4" F. Pipe
25	3200057	1	Elbow, 1/4" M. Pipe to 1/4" M. JIC
26	6084060	1	Valve Assembly Bracket
27	2900144	2	Cap Screw, Hex Hd., 1/4-20 x 3/4"
28	2900024	2	Lock Washer, 1/4" Split
29	6084062	1	Hyd. Hose Assy, 1/4" x 9" Long
30	6084064	1	Hyd. Hose Assy, 1/4" x 5-1/2" Long
31	2900399	2	Cap Srew, Soc Hd., 1/4-20 x 1-1/2"

OPTIONAL			
ITEM	PART NO.	QTY.	DESCRIPTION
32	6084122	1	Power Travel Adapter Hose

**PIVOTING GEARBOX ASSEMBLY**  
**#6084043**



**FLUSH CUT FLANGE ASSEMBLY**  
**#6084061**



RED LOCTITE (262) ALL #6, #21, #33 SCREWS  
 BLUE LOCTITE (242) ALL #18 & #28 SCREWS

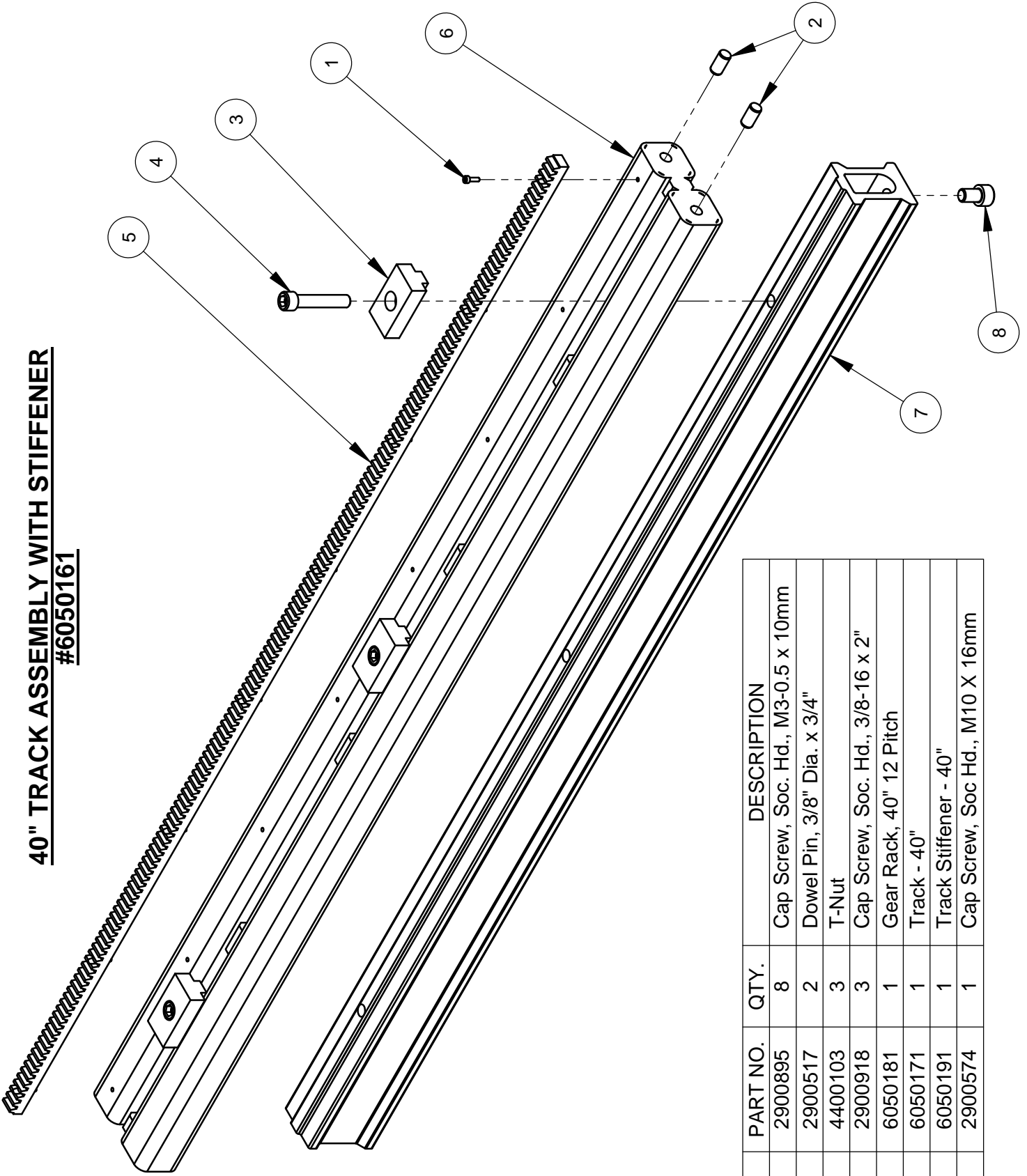
**6084043 PIVOTING GEARBOX ASSEMBLY**

ITEM	PART NO.	QTY.	DESCRIPTION
1	2400177	2	Ball Bearing, 45mm x 85mm x 19mm
2	2400628	1	O-Ring #152
3	2400629	2	O-Ring, Water Seal Housing
4	2500264	2	Ball Bearing, 30mm x 62mm x 16mm
5	2501601	2	Bearing, Worm Shaft
6	2501602	1	Spring, Locking Wrench
7	2501603	1	Set Collar, 3/8"
8	2501606	2	Water Seal
9	2501619	1	Seal, 100mm V-Ring
10	2501621	2	Key, 1/4" Sq. x 23/32" Long
11	2504559	1	Seal, 1-3/4 x 2-1/8 x 3/16"
12	2900103	8	Cap Screw, Soc. Hd., 5/16-18 x 1"
13	2900207	9	Dowel Pin, 1/4" Dia. x 3/4"
14	2900898	2	Cap Screw, Soc. Hd., 5/16-18 x 5/8"
15	2900976	1	Cap Screw, Soc. Hd., 3/8-16 x 3/4"
16	2900978	12	Cap Screw, Flat Hd., #10-24 x 1/2"
17	2900979	1	Set Screw, Soc. Hd., 10-32 x 3/16
18	2900980	2	Capscrew, Soc. Hd., M8-1.25 x 8mm
19	2900981	2	Retaining Washer, M8
20	2900983	8	Cap Screw, Soc. Low Hd., 3/8-16 x 1"
21	3200552	2	Plug, 1/4" NPT
22	6084017	1	Blade Flange, Inside
23	6084018	1	Blade Flange, Outside
24	6084019	1	Blade Shaft Bolt
25	6084044	1	BRACKET BLADE GUARD
26	6084045	1	Wrench, Locking
27	6084047	1	Shaft, Input
28	6084048	1	Idler Shaft
29	6084049	2	Drive Gear
30	6084050	1	Coupler, Motor to Gearbox
31	6084051	1	Blade Shaft Gear
32	6084054	1	Housing, Water Seal
33	6084055	1	Cover, Water Seal Housing
34	6084056	1	Support, Blade Guard Mount
35	6084057	1	Cam, Spot Brake
36	6084058	1	Spot Brake
37	6084059	1	Blade Shaft
38	6084073	1	Water Hose Assembly
39	6084142	1	Gearbox Outer Half Machining
40	6084143	1	Gearbox Inner Half Machining
41	6087042	1	Latch

**6084061 Flush Cut Flange Assembly**

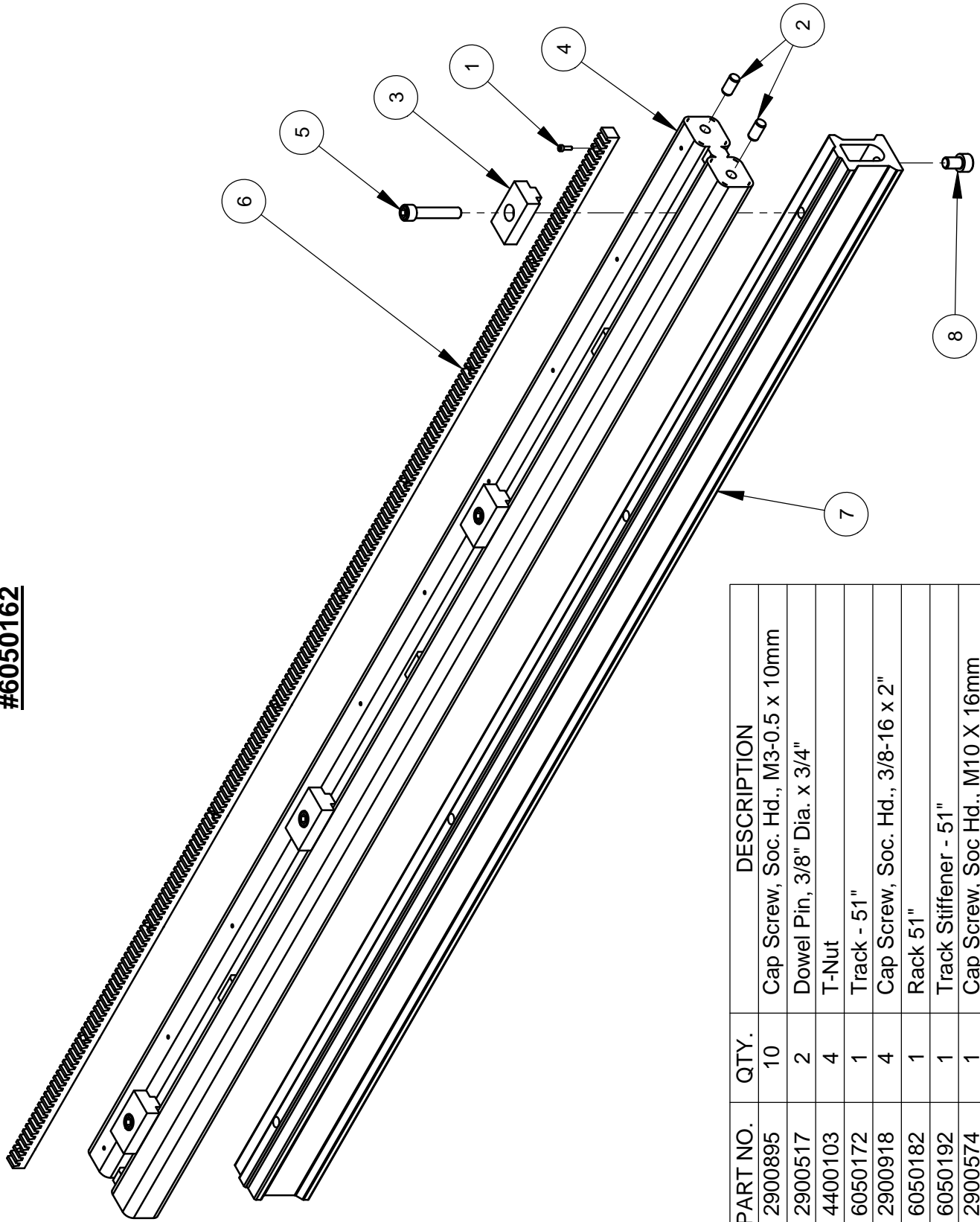
ITEM	PART NO.	QTY.	DESCRIPTION
1	6087141	1	Flush Cut Flange
2	6087142	1	Bolt, Flush Cut Flange, M16, LH
3	2900484	1	Set Screw, Soc. Hd., 3/8-16 x 5/8"
4	2900174	6	Cap Screw, Flat Hd., 5/16-18 x 1"
5	1802171	1	Decal, Torque, Flange Bolt

**40" TRACK ASSEMBLY WITH STIFFENER**  
**#6050161**



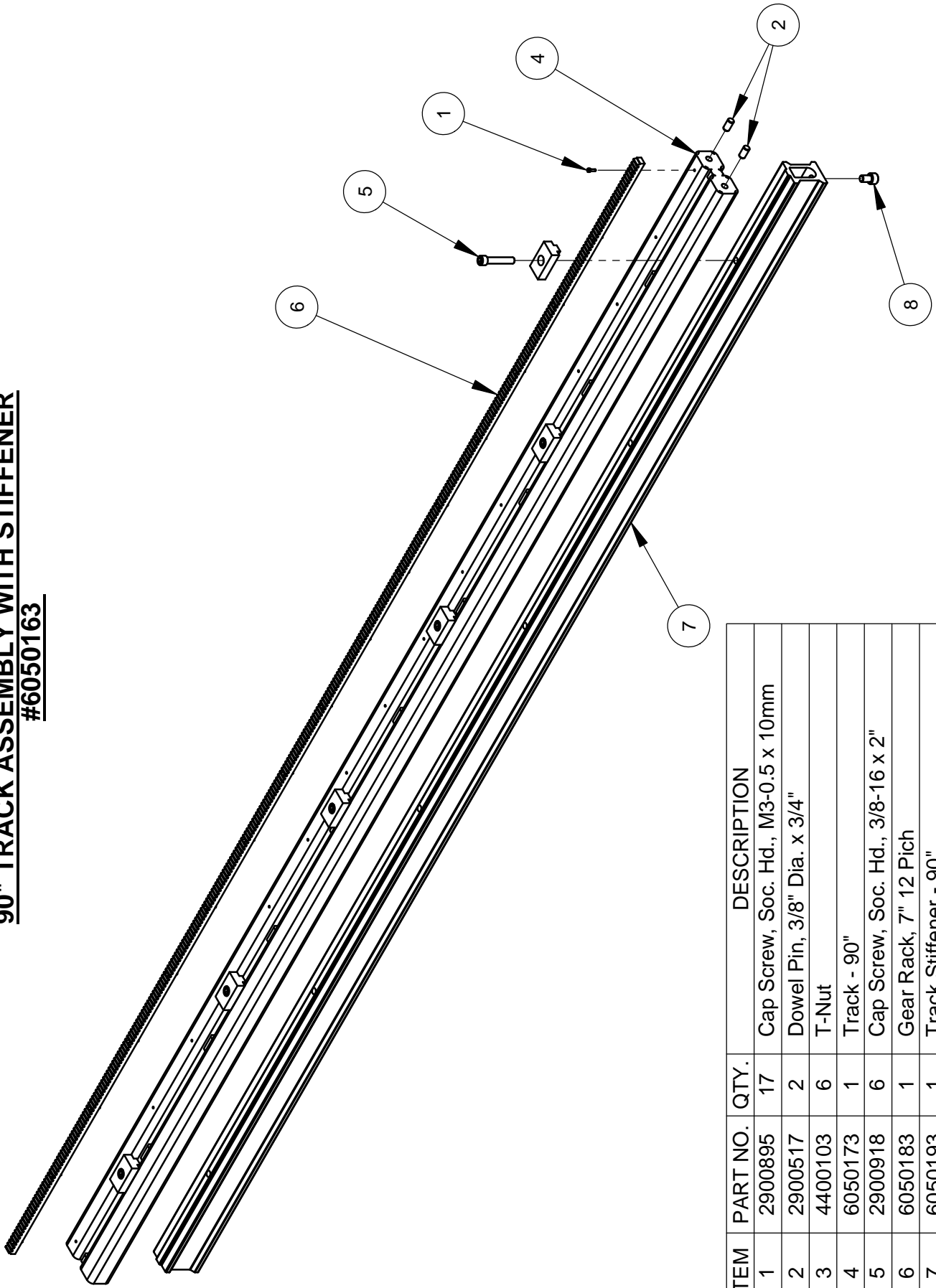
ITEM	PART NO.	QTY.	DESCRIPTION
1	2900895	8	Cap Screw, Soc. Hd., M3-0.5 x 10mm
2	2900517	2	Dowel Pin, 3/8" Dia. x 3/4"
3	4400103	3	T-Nut
4	2900918	3	Cap Screw, Soc. Hd., 3/8-16 x 2"
5	6050181	1	Gear Rack, 40" 12 Pitch
6	6050171	1	Track - 40"
7	6050191	1	Track Stiffener - 40"
8	2900574	1	Cap Screw, Soc Hd., M10 X 16mm

**51" TRACK ASSEMBLY WITH STIFFENER**  
**#6050162**



ITEM	PART NO.	QTY.	DESCRIPTION
1	2900895	10	Cap Screw, Soc. Hd., M3-0.5 x 10mm
2	2900517	2	Dowel Pin, 3/8" Dia. x 3/4"
3	4400103	4	T-Nut
4	6050172	1	Track - 51"
5	2900918	4	Cap Screw, Soc. Hd., 3/8-16 x 2"
6	6050182	1	Rack 51"
7	6050192	1	Track Stiffener - 51"
8	2900574	1	Cap Screw, Soc Hd., M10 X 16mm

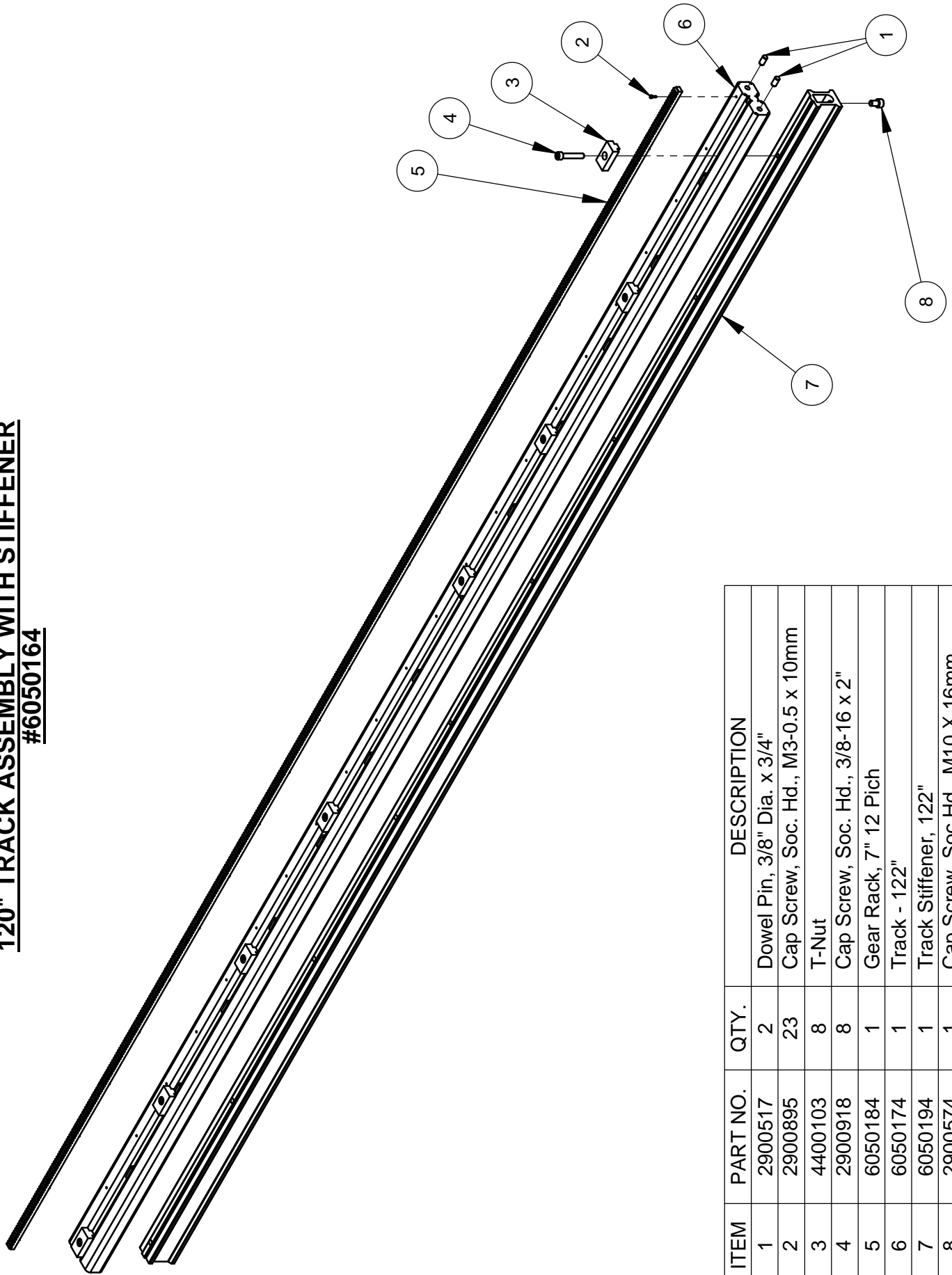
**90" TRACK ASSEMBLY WITH STIFFENER**  
**#6050163**



ITEM	PART NO.	QTY.	DESCRIPTION
1	2900895	17	Cap Screw, Soc. Hd., M3-0.5 x 10mm
2	2900517	2	Dowel Pin, 3/8" Dia. x 3/4"
3	4400103	6	T-Nut
4	6050173	1	Track - 90"
5	2900918	6	Cap Screw, Soc. Hd., 3/8-16 x 2"
6	6050183	1	Gear Rack, 7" 12 Pich
7	6050193	1	Track Stiffener - 90"
8	2900574	1	Cap Screw, Soc Hd., M10 X 16mm

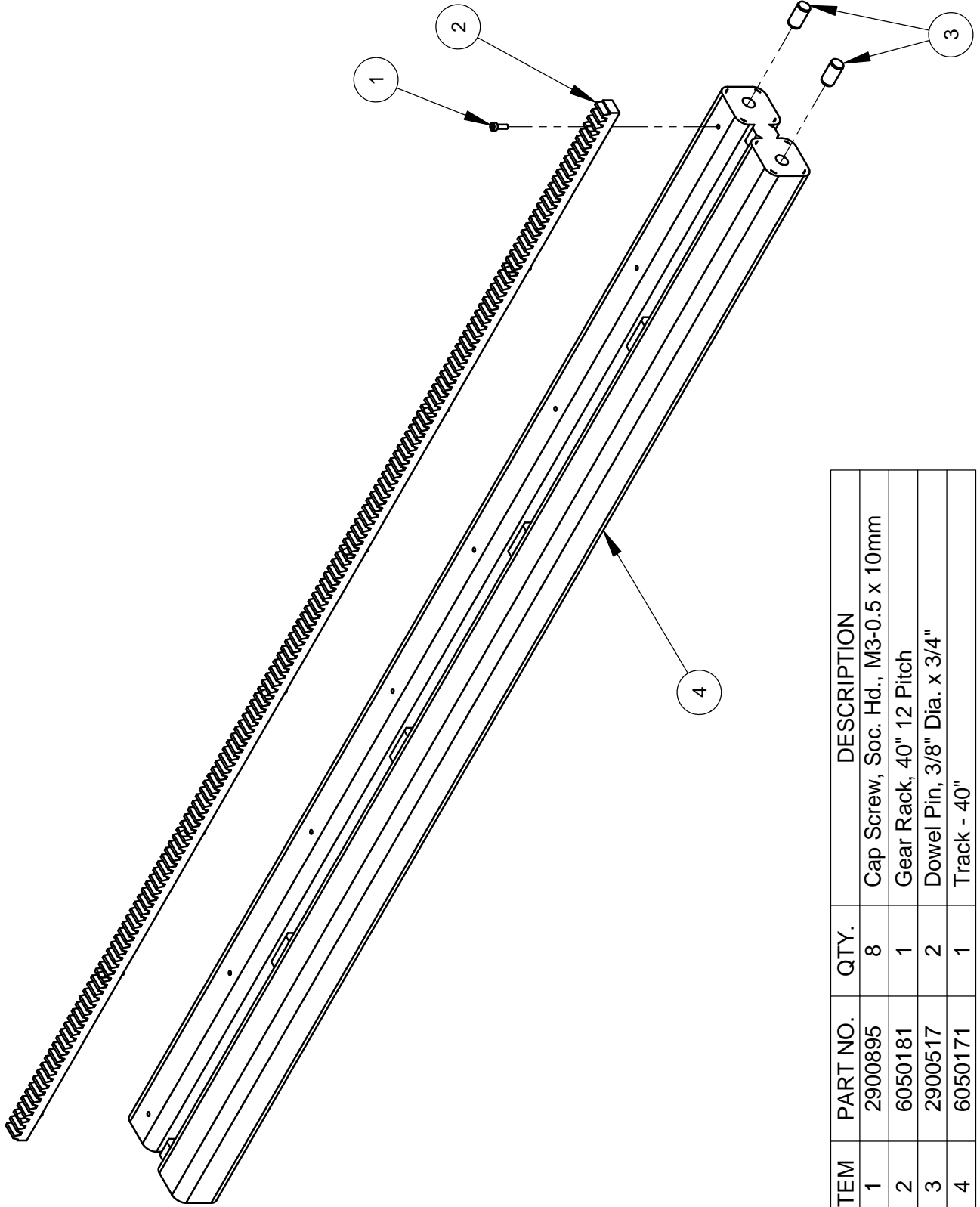


**120" TRACK ASSEMBLY WITH STIFFENER**  
**#6050164**



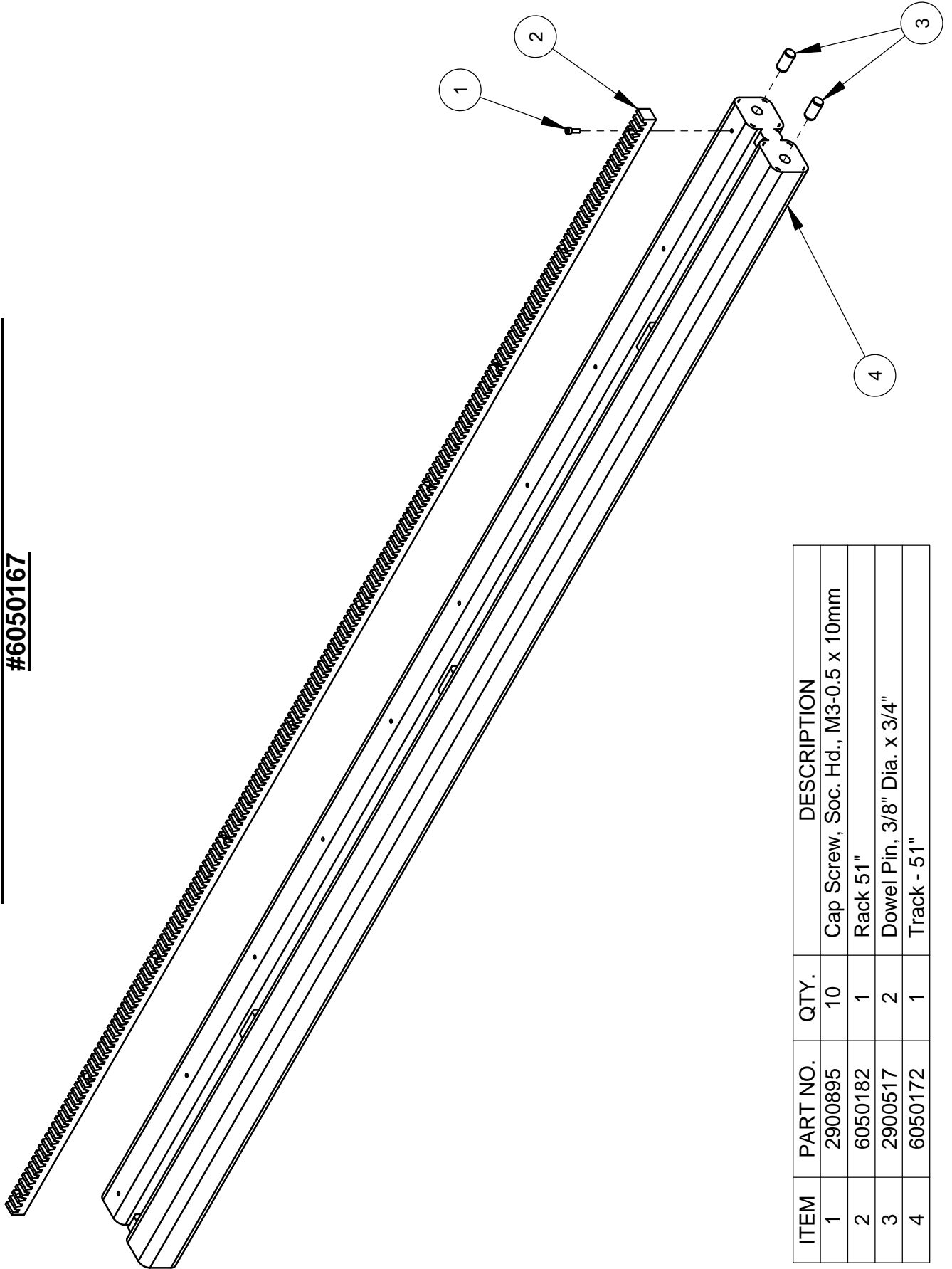
ITEM	PART NO.	QTY.	DESCRIPTION
1	2900517	2	Dowel Pin, 3/8" Dia. x 3/4"
2	2900895	23	Cap Screw, Soc. Hd., M3-0.5 x 10mm
3	4400103	8	T-Nut
4	2900918	8	Cap Screw, Soc. Hd., 3/8-16 x 2"
5	6050184	1	Gear Rack, 7" 12 Pich
6	6050174	1	Track - 122"
7	6050194	1	Track Stiffener, 122"
8	2900574	1	Cap Screw, Soc Hd., M10 X 16mm

**40" TRACK ASSEMBLY WITHOUT STIFFENER**  
**#6050166**



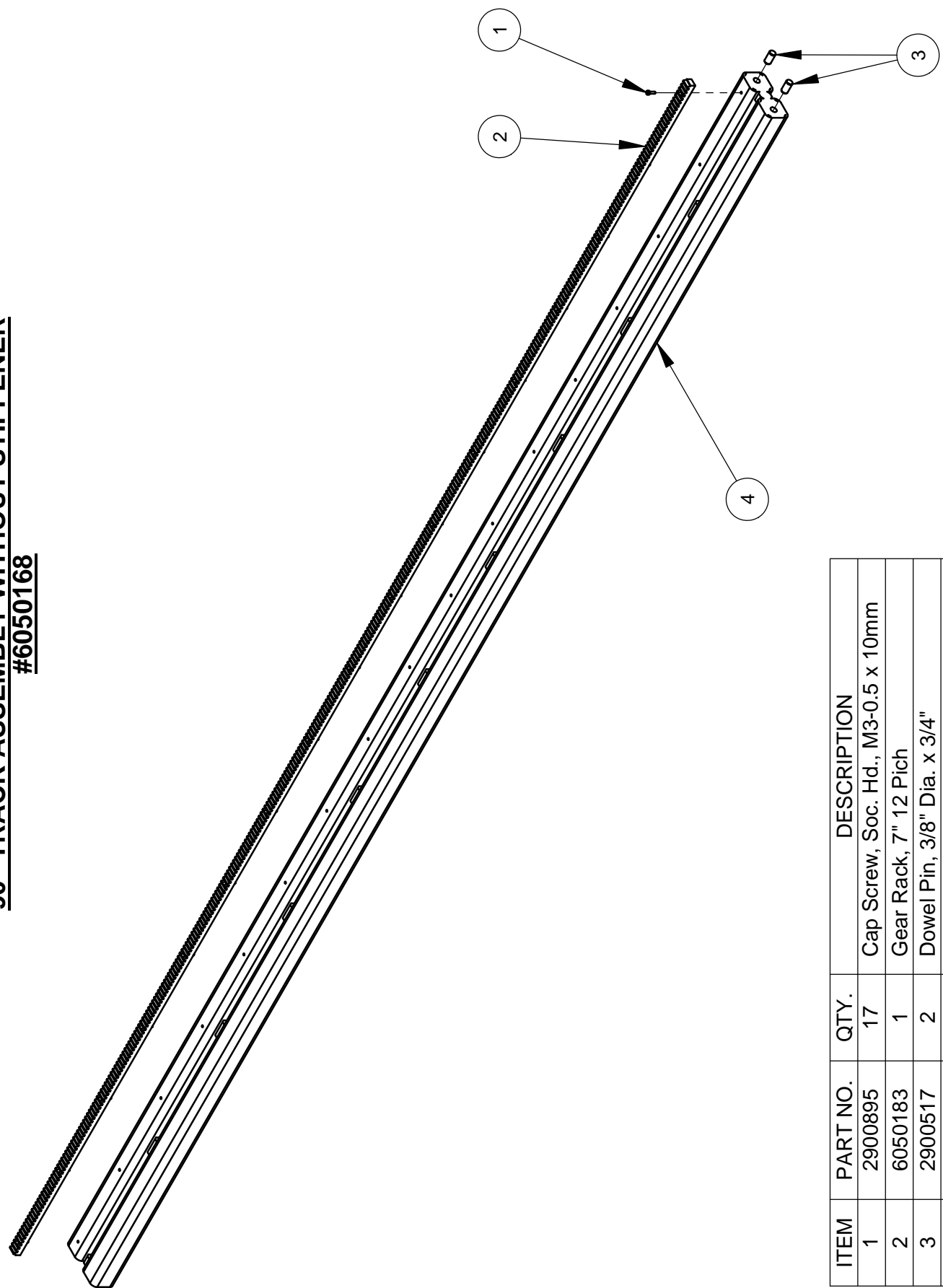
ITEM	PART NO.	QTY.	DESCRIPTION
1	2900895	8	Cap Screw, Soc. Hd., M3-0.5 x 10mm
2	6050181	1	Gear Rack, 40" 12 Pitch
3	2900517	2	Dowel Pin, 3/8" Dia. x 3/4"
4	6050171	1	Track - 40"

**51" TRACK ASSEMBLY WITHOUT STIFFENER**  
**#6050167**



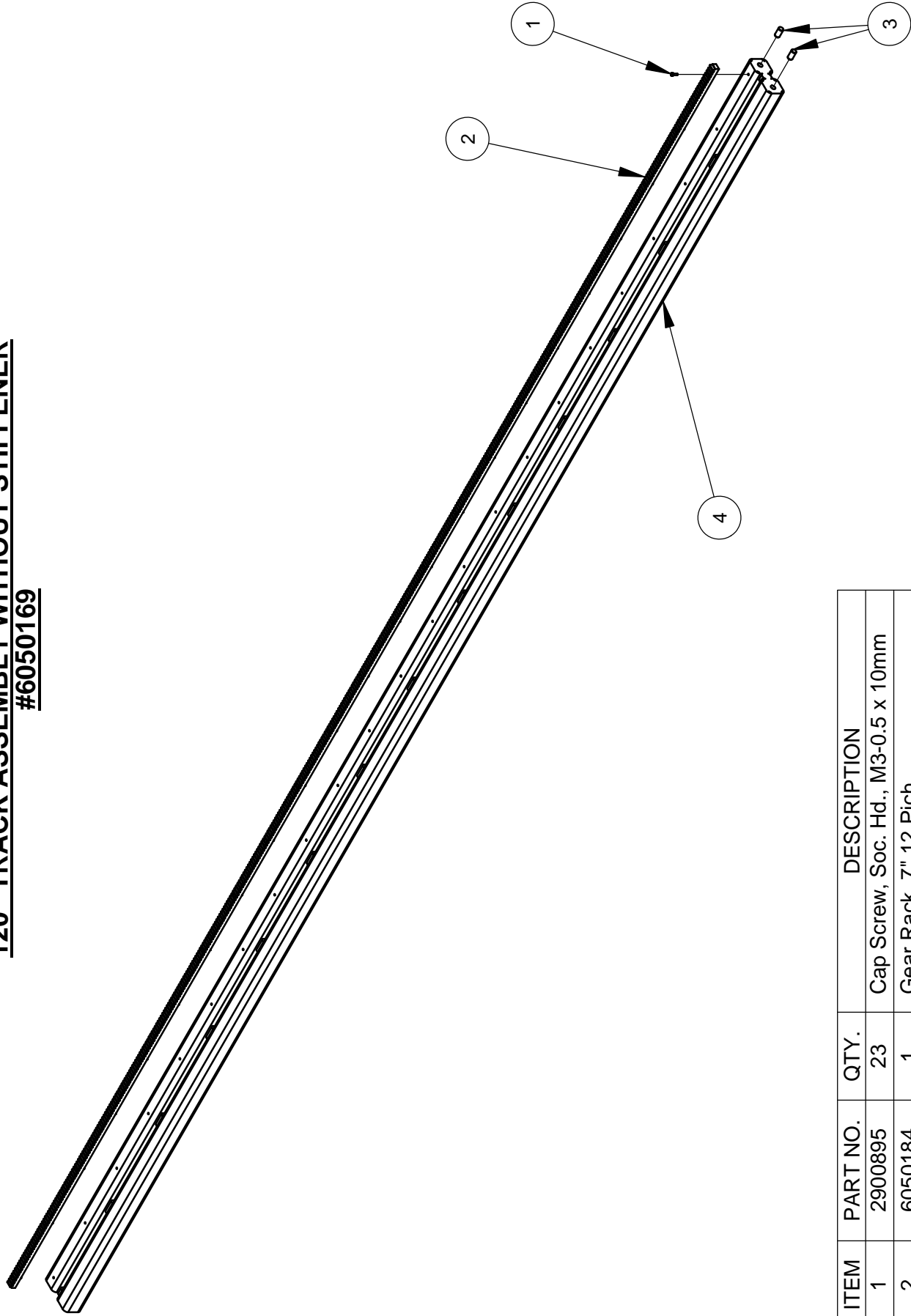
ITEM	PART NO.	QTY.	DESCRIPTION
1	2900895	10	Cap Screw, Soc. Hd., M3-0.5 x 10mm
2	6050182	1	Rack 51"
3	2900517	2	Dowel Pin, 3/8" Dia. x 3/4"
4	6050172	1	Track - 51"

**90" TRACK ASSEMBLY WITHOUT STIFFENER**  
**#6050168**



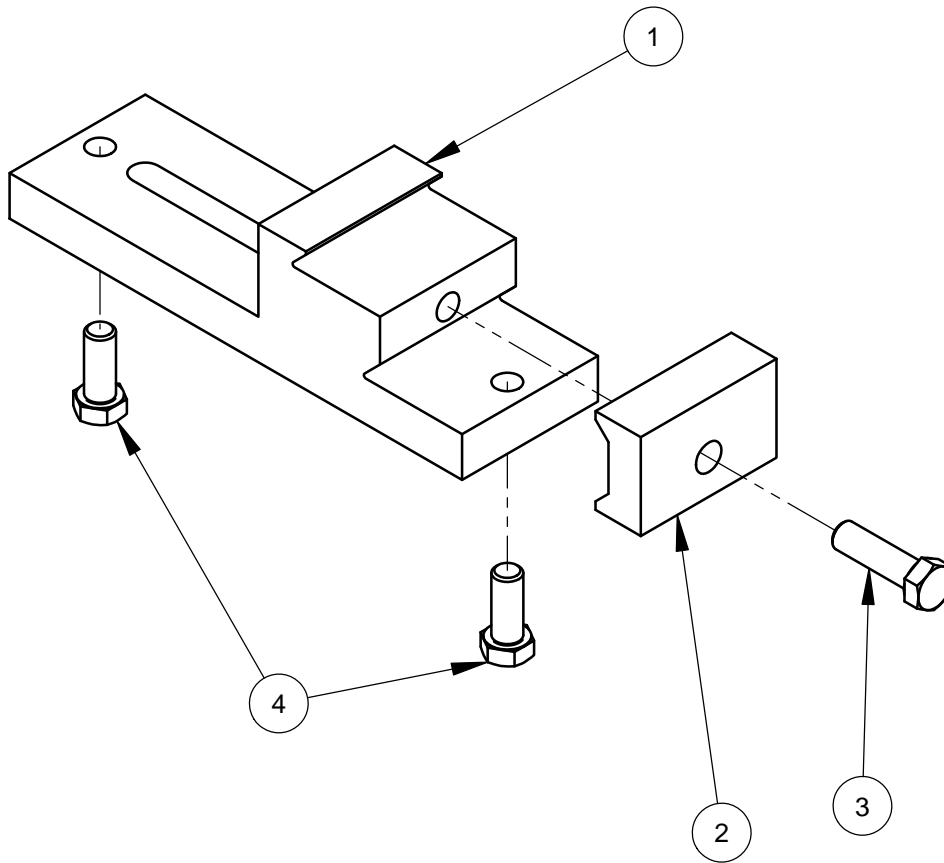
ITEM	PART NO.	QTY.	DESCRIPTION
1	2900895	17	Cap Screw, Soc. Hd., M3-0.5 x 10mm
2	6050183	1	Gear Rack, 7" 12 Pich
3	2900517	2	Dowel Pin, 3/8" Dia. x 3/4"
4	6050173	1	Track - 90"

**120" TRACK ASSEMBLY WITHOUT STIFFENER**  
**#6050169**



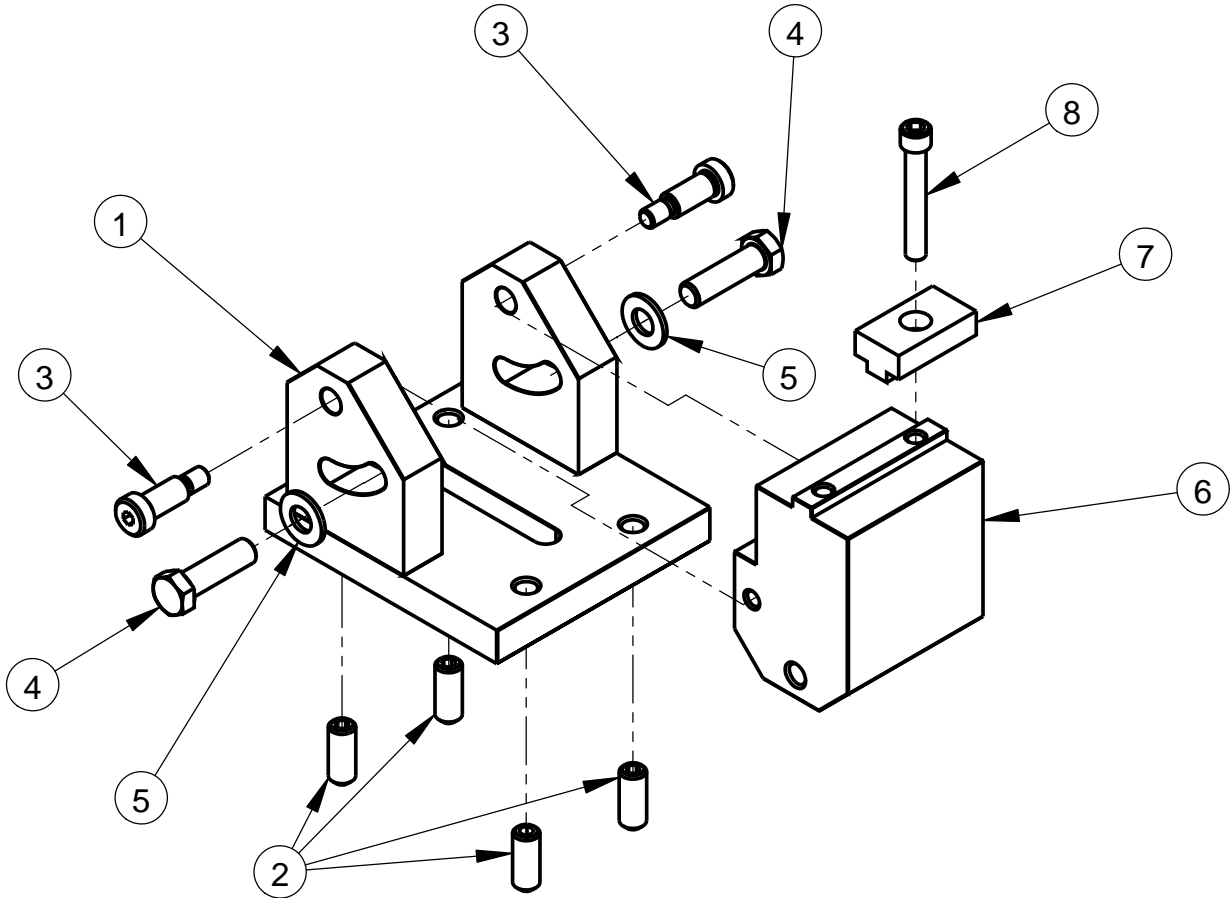
ITEM	PART NO.	QTY.	DESCRIPTION
1	2900895	23	Cap Screw, Soc. Hd., M3-0.5 x 10mm
2	6050184	1	Gear Rack, 7" 12 Pich
3	2900517	2	Dowel Pin, 3/8" Dia. x 3/4"
4	6050174	1	Track - 122"

**STANDARD TRACK FOOT ASSEMBLY**  
**#6050130**



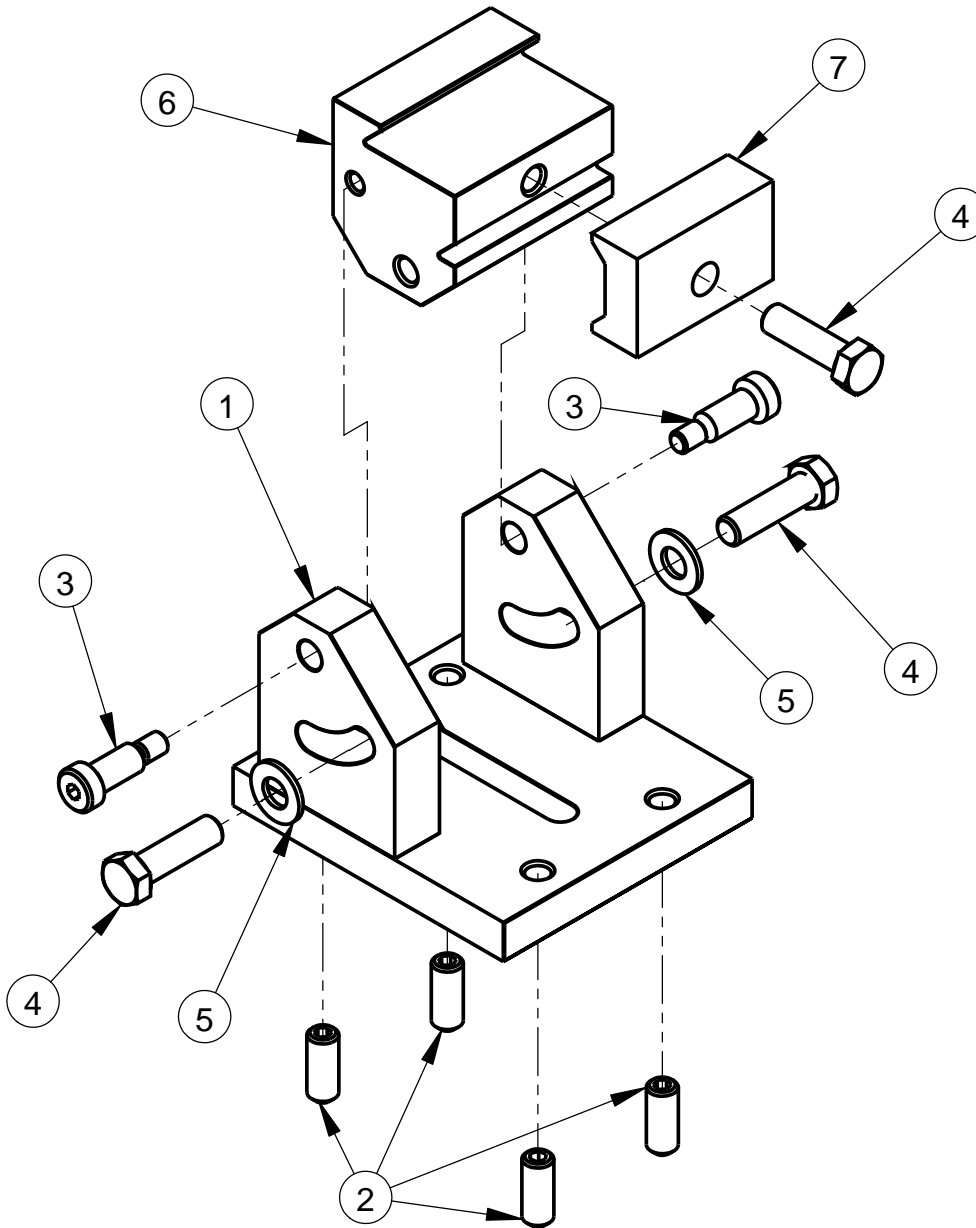
ITEM	PART NO.	QTY.	DESCRIPTION
1	6050131	1	Track Foot Base
2	6050132	1	Track Clamp
3	2900139	1	Cap Screw, Hex Hd., 1/2-13 x 1-3/4"
4	2900025	2	Cap Screw, Hex Hd., 1/2-13 x 1-1/4"

**ANGLE TRACK FOOT ASSEMBLY**  
**#6050212A**



ITEM	PART NO.	QTY.	DESCRIPTION
1	6050213	1	Angle Foot Base Assembly
2	2900209	4	Set Screw, Soc. Hd., 1/2-13 x 1-1/4"
3	2900587	2	Shoulder Screw, 1/2" x 1" (3/8-16)
4	2900139	2	Cap Screw, Hex Hd., 1/2-13 x 1-3/4"
5	2900058	2	Flat Washer, 1/2" SAE
6	6050217	1	Angle Foot Track Clamp
7	4400103	1	T-Nut
8	2900208	1	Cap Screw, Soc. Hd., 3/8-16 x 2-1/2"

**ANGLE STIFFENER FOOT ASSEMBLY**  
**#6050212B**

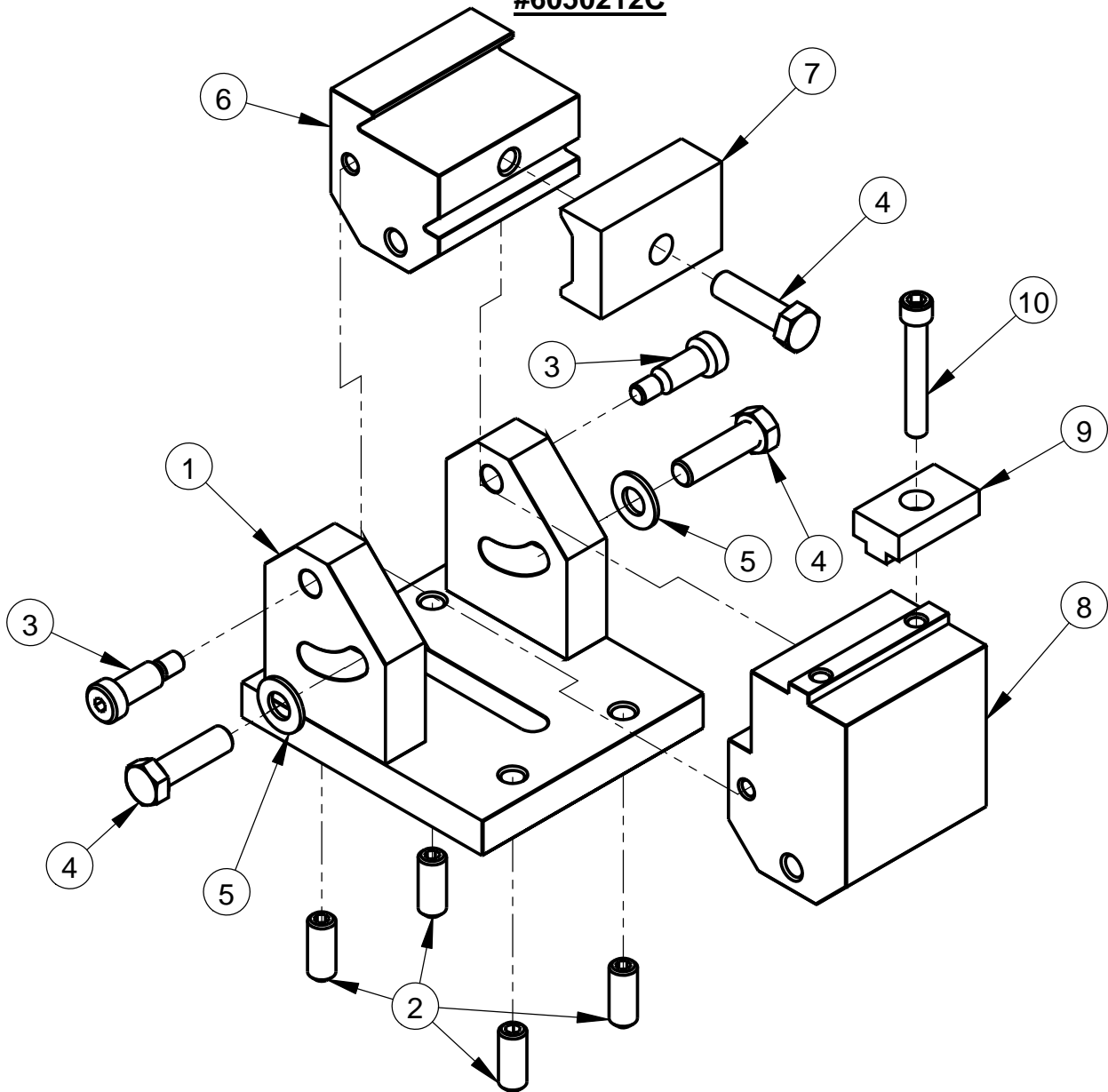


ITEM	PART NO.	QTY.	DESCRIPTION
1	6050213	1	Angle Foot Base Assembly
2	2900209	4	Set Screw, Soc. Hd., 1/2-13 x 1-1/4"
3	2900587	2	Shoulder Screw, 1/2" x 1" (3/8-16)
4	2900139	3	Cap Screw, Hex Hd., 1/2-13 x 1-3/4"
5	2900058	2	Flat Washer, 1/2" SAE
6	6050216	1	Angle Clamp
7	6050132	1	Track Clamp



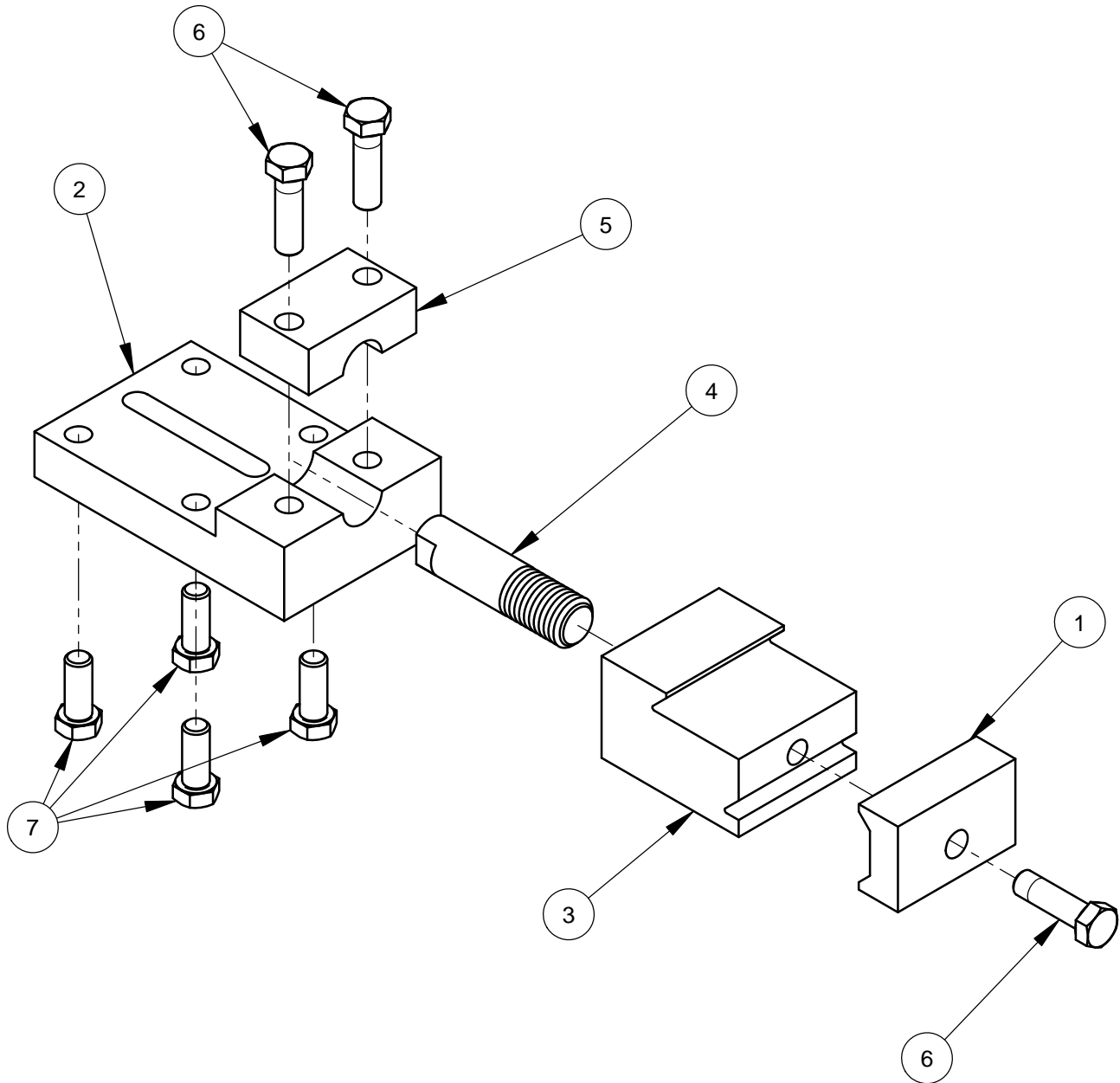
## ANGLE TRACK & STIFFENER FOOT ASSEMBLY

#6050212C



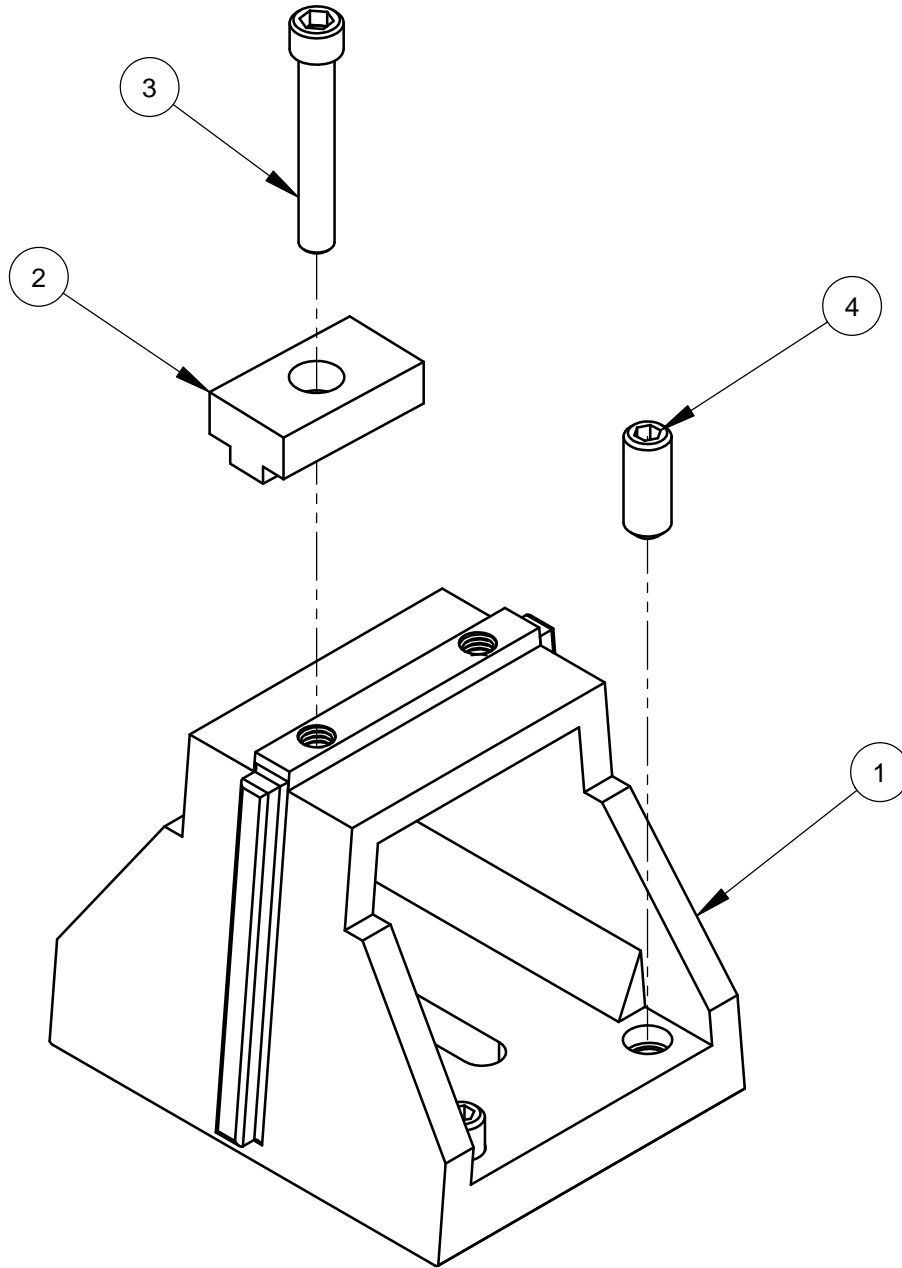
ITEM	PART NO.	QTY.	DESCRIPTION
1	6050213	1	Angle Foot Base Assembly
2	2900209	4	Set Screw, Soc. Hd., 1/2-13 x 1-1/4"
3	2900587	2	Shoulder Screw, 1/2" x 1" (3/8-16)
4	2900139	3	Cap Screw, Hex Hd., 1/2-13 x 1-3/4"
5	2900058	2	Flat Washer, 1/2" SAE
6	6050216	1	Angle Clamp
7	6050132	1	Track Clamp
8	6050217	1	Angle Foot Track Clamp
9	4400103	1	T-Nut
10	2900208	1	Cap Screw, Soc. Hd., 3/8-16 x 2-1/2"

**STAIR TRACK FOOT ASSEMBLY**  
**#6050150**



ITEM	PART NO.	QTY.	DESCRIPTION
1	6050132	1	Track Clamp
2	6050151	1	Stair Track Foot Base
3	6050152	1	Stair Foot Clamp
4	6050153	1	Stair Bracket Shaft
5	6050154	1	Stair Bracket Clamp
6	2900139	3	Cap Screw, Hex Hd., 1/2-13 x 1-3/4"
7	2900025	4	Cap Screw, Hex Hd., 1/2-13 x 1-1/4"

**LONGYEAR STYLE TRACK FOOT ASSEMBLY**  
**#4400106**



ITEM	PART NO.	QTY.	DESCRIPTION
1	4400105	1	Track Foot, Longyear Style
2	4400103	1	T-Nut
3	2900208	1	Cap Screw, Soc. Hd., 3/8-16 x 2-1/2"
4	2900209	4	Set Screw, Soc. Hd., 1/2-13 x 1-1/4"

## EQUIPMENT AND PARTS WARRANTY

Diamond Products warrants all equipment manufactured by it against defects in workmanship or materials for a period of one (1) year from the date of shipment to Customer.

The responsibility of Diamond Products under this Warranty is limited to replacement or repair of defective parts at Diamond Products' Elyria, Ohio factory, or at a point designated by it, of such parts as shall appear to us upon inspection at such parts, to have been defective in material or workmanship, with expense for transportation and labor borne by Customer.

In no event shall Diamond Products be liable for consequential or incidental damages arising out of the failure of any Product to operate properly.

Integral units such as engines, electric motors, batteries, transmissions, etc., are excluded from this Warranty and are subject to the prime manufacturer's warranty.

**THIS WARRANTY IS IN LIEU OF ALL OTHER WARRANTIES, EXPRESSED OR IMPLIED, AND ALL SUCH OTHER WARRANTIES ARE HEREBY DISCLAIMED.**



333 Prospect Street, Elyria, Ohio 44035  
(440) 323-4616 • (800) 321-5336 • Fax (440) 323-8689  
[www.diamondproducts.com](http://www.diamondproducts.com)