

CC1300XL Small Walk Behind Saw



Gasoline



Electric



Hydraulic



Propane
Option

14" - 20" Blade Capacity

Push Drive

Features & Benefits

- Heavy duty frame design
- Cyclone air filter (Honda® models)
- Four position heavy duty handles offer no slack and don't rattle like other adjustable handles
- Through rear axle for added strength
- Solid sealed and self aligning blade shaft bearings
- Slip-on blade guard for easy blade access
- Three V-belts for extra power delivery to the blade shaft
- Left or right side sawing
- Optional water tank available for dust suppression

Specifications

Maximum depth of cut with 14" blade:	4-5/8"
Maximum depth of cut with 18" blade:	6-5/8"
Maximum depth of cut with 20" blade:	7-5/8"
Blade shaft RPM:	2,600
Blade shaft diameter:	1-1/4"
Arbor size:	1" with single drive pin
Blade mounting:	Right or left
Blade raise/lower:	Precision screw feed
Handle bars:	Adjustable



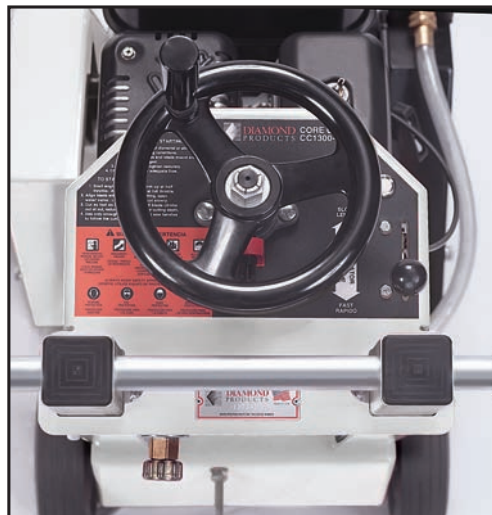
Shown with
optional water tank
& bracket kit

CC1311HXL-20
blade not included

Electric Models are Suitable
Where Exhaust Fumes
are Not Allowed



CC1310E3XL-20
blade not included



Heavy duty adjustable handles and
precision screw feed raise and lower

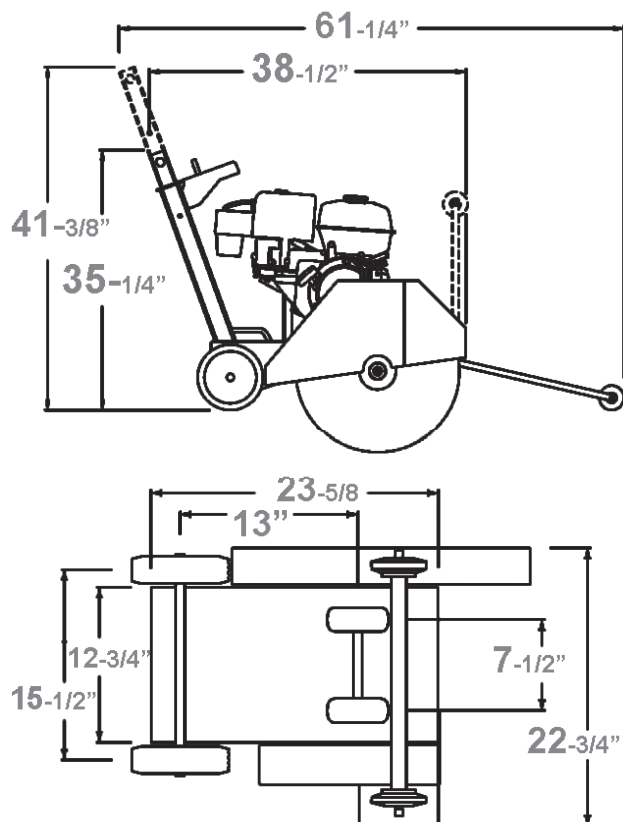
Horsepower and Torque as rated
by the engine manufacturer.

Parts List # (Gas): 1801801
Parts List # (Electric): 1801809
Operator Manual #: 1801459

CC1300XL SMALL WALK BEHIND SAW

Saw Model #	Engine/Motor Make	Engine/Motor Model	Engine/Motor Power	Power Source	Blade Capacity	Part #	Cat #	Product Weight (lbs)	List Price
CC1308HXL-14	Honda®	GX270	8.5 HP, 14.1 Torque (lbs.-ft.)	Gas	14"	5800575	75066	225	\$3,467
CC1311HXL-14	Honda®	GX390	11.7 HP, 19.5 Torque (lbs.-ft.)	Gas	14"	5800576	75067	260	3,620
CC1313BXL-14	Briggs® ⬠	2100	420cc, 21 Torque (lbs.-ft.)	Gas	14"	5801117	61491	265	2,897
CC1305E1XL-14	Baldor®	n/a	5 HP, 230V - 1PH	Electric	14"	5800577	75068	240	3,981
CC1305E3XL-14	Baldor®	n/a	5 HP, 230V - 3PH	Electric	14"	5800578A	99977	245	4,157
CC1305E3XL-14	Baldor®	n/a	5 HP, 480V - 3PH	Electric	14"	5800578B	26493	245	4,157
CC1311HUXL-14	Honda®	GX390 upcut	11.7 HP, 19.5 Torque (lbs.-ft.)	Gas	14"	5800871	27131	350	4,180
CC1313BUXL-14	Briggs® ⬠	2100 upcut	420cc, 21 Torque (lbs.-ft.)	Gas	14"	5801118	61493	355	3,343
CC1308HXL-18	Honda®	GX270	8.5 HP, 14.1 Torque (lbs.-ft.)	Gas	18"	5800579	75070	225	3,536
CC1311HXL-18	Honda®	GX390	11.7 HP, 19.5 Torque (lbs.-ft.)	Gas	18"	5800571	69995	260	3,700
CC1313BXL-18	Briggs® ⬠	2100	420cc, 21 Torque (lbs.-ft.)	Gas	18"	5801116	61494	265	2,959
CC1305E1XL-18	Baldor®	n/a	5 HP, 230V - 1PH	Electric	18"	5800580	75071	280	4,024
CC1305E3XL-18	Baldor®	n/a	5 HP, 230V - 3PH	Electric	18"	5800581A	93652	245	4,207
CC1305E3XL-18	Baldor®	n/a	5 HP, 480V - 3PH	Electric	18"	5800581B	97080	245	4,207
CC1311HUXL-18	Honda®	GX390 upcut	11.7 HP, 19.5 Torque (lbs.-ft.)	Gas	18"	5800872	26751	350	4,244
CC1313BUXL-18	Briggs® ⬠	2100 upcut	420cc, 21 Torque (lbs.-ft.)	Gas	18"	5801119	61496	355	3,396
CC1310E3XL-20	Baldor®	n/a	10 HP, 230V - 3PH	Electric	20"	5800589A	93810	315	5,828
CC1310E3XL-20	Baldor®	n/a	10 HP, 460V - 3PH	Electric	20"	5800589B	93220	340	5,828
CC1310E3XL-20	Baldor®	n/a	10 HP, 230V/460V - 3PH	Electric	20"	5800985	57763	335	6,791
CC1311HXL-20	Honda®	GX390	11.7 HP, 19.5 Torque (lbs.-ft.)	Gas	20"	5800723	21855	365	3,752
CC1313HYXL-20	Danfoss®	n/a	13HP, 15 GPM	Hydraulic	20"	5800724A	37387	230	5,280
CC1313HYXL-20	Danfoss®	n/a	13HP, 20 GPM	Hydraulic	20"	5800724B	50852	230	5,280
CC1313HYXL-20	Danfoss®	n/a	13HP, 25 GPM	Hydraulic	20"	5800724C	37388	230	5,280

⬠ Briggs 2100 Series models include a Diamond Products 3-year extended warranty



CC1300XL OPTIONS

Description	Part #	Cat #	List Price
Water Tank Kit with 5/8" hose (5 gal.)** - includes water tank bracket	6049050	36252	\$214
Extended Blade Shaft Kit (up to 1" spacing)	6048107	48388	49
Catalytic Muffler for 11HP Honda®	2501567	78637	1,093
Propane Conversion Kit for 8.5 HP Honda® (4.7 gallon tank, horizontal vapor)+ [must also order with Part # 6048940]	6040321	10155	2,903
Propane Conversion Kit for 11.7 HP Honda® (4.7 gallon tank, horizontal vapor)+ [must also order with Part # 6048940]	6040322	10156	2,903
Extra Slip-on Blade Guard 14"	6048912	97088	462
Extra Slip-on Blade Guard 18"	6048910	97883	505
Extra Slip-on Blade Guard 20"	6048904	98682	627

** For dust suppression when dry cutting.

Water tank kit not available for electric saw models.

+ Propane conversion kits include the following: conversion to dual fuel, safety fuel lock, liquid propane fuel tanks with float gauge and safety check connector.

Sawing